

COMMERCIAL
MODEL: 133A

CATALOG NO. 9300.11
Effective: 07-15-16
Replaces: 01-15-16

RAYPAK ILLUSTRATED PARTS LIST

MODEL SIZE: 133A

MODEL TYPES: H, W and WH

DATES OF MANUFACTURE: 12-12-84 THRU 11-16-15

MODEL TYPES: WH1 & WH2 - 01-01-01 THRU 11-16-15
H1, W1 & W2 - 12-12-84 THRU 8-31-12

THE PARTS LISTED ARE FOR STANDARD EQUIPMENT FOR THIS MODEL TYPE. RAYPAK RESERVES THE RIGHT TO SUBSTITUTE, DELETE OR CHANGE ANY PART WITHOUT NOTIFICATION. THE ADDITION OF OPTIONS MAY ALSO CHANGE SOME OF THE PARTS. ORDER REPLACEMENT PARTS FROM ACTUAL HEATER COMPONENTS.



NEW MODEL TYPE DESIGNATIONS

NEW	OLD
H1	T
W1	WT
W2	THWS

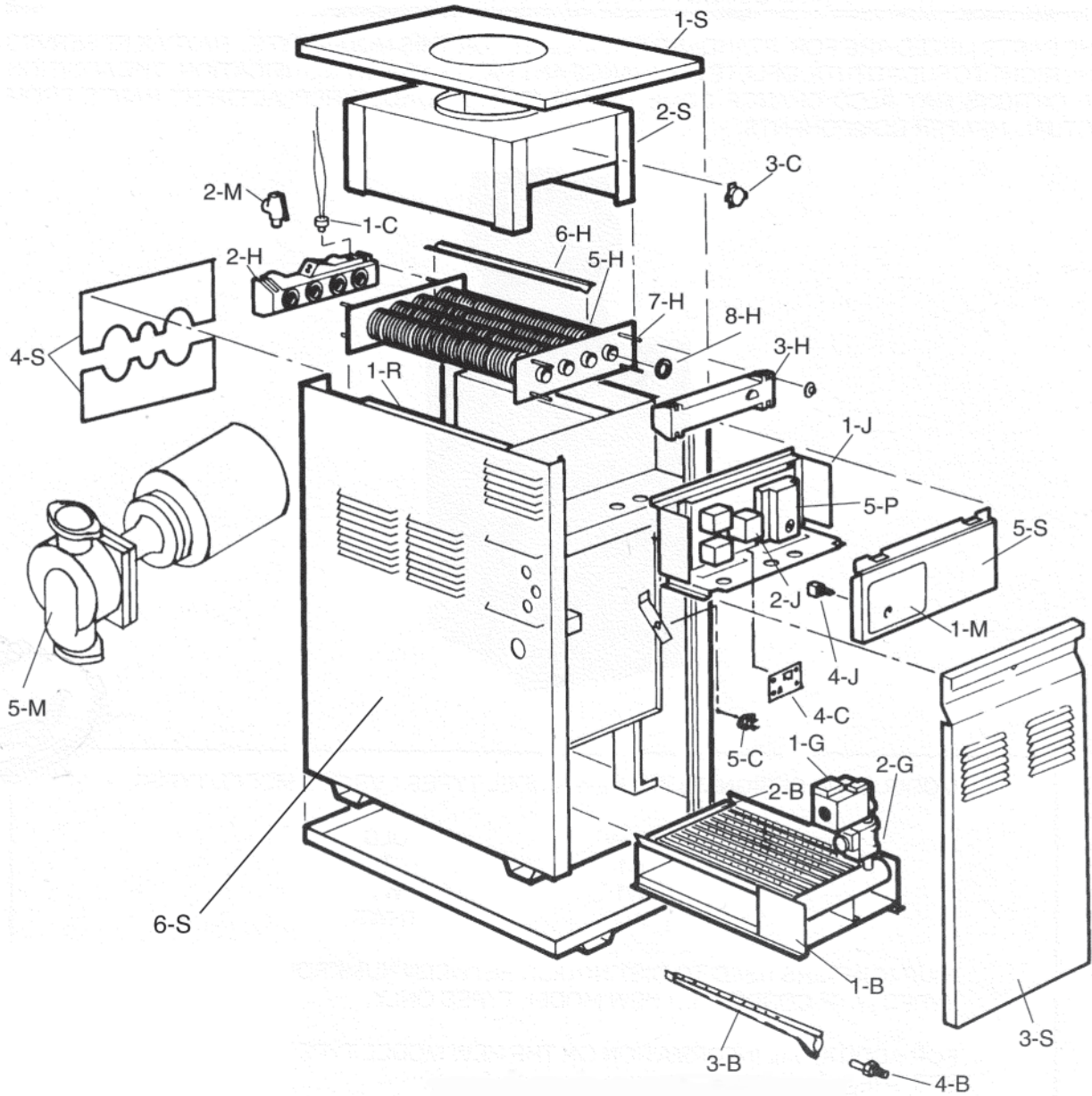
FOR ADDITIONAL INFORMATION ON THE NEW MODEL TYPE DESIGNATIONS
SEE SHEET 9001.10

FOR DETAILED INSTRUCTIONS, SEE "HOW TO USE YOUR RAYPAK ILLUSTRATED PARTS LIST",
CATALOG NO. 9001.10



Raypak, Inc., 2151 Eastman Avenue, Oxnard, CA 93030
(805) 278-5300 Fax (800) 872-9725
Litho In U.S.A.

Part No. 240465



CALL OUT	DESCRIPTION	133A H1	133A W2/WH2	133A W1/WH1
B	BURNER TRAY			
1-B	Burner Tray w/Burners (Sea Level)*	001989F**	001989F**	001989F
	Burner Tray w/o Burners (Sea Level)*	001990F**	001990F**	001990F
2-B	Burner Hold Down	001991F	001991F	001991F
3-B	Burner	301210/10	301210/10	301210/10
4-B	Burner Orifice Nat. #51 (Sea Level)*	350080F/10	350080F/10	350080F/10
	Burner Orifice Pro. #57 (Sea Level)*	350083F/10	350083F/10	350083F/10
C	CONTROLS			
1-C	Auto Reset Fixed High Limit 240°F	008554F		
2-C	Manual Reset Adjustable High Limit 240°F Max		007144F	
	Manual Reset Adjustable High Limit 200°F Max		008081F	008081F
	Auto Reset Adjustable High Limit 180°F Max		006445F	006445F
	Auto Reset Adjustable High Limit 240°F Max			007141F
	Auto Reset Adjustable High Limit 200°F Max	012546F	012546F	012546F
	Auto Reset Dualstat w/o TTD			004092F
3-C	Thermostat Control TTD	003609F		
4-C	Economaster II Control	004675F	004675F	004675F
5-C	Flame Roll-Out Sensor 150°F	006021F	006021F	006021F
	Flame Roll-Out Sensor 300°F	006035F	006035F	006035F
6-C	Flow Switch	007142F	007142F	007142F
G	GAS VALVE			
1-G	Combination Valve Nat. 24 V	004868F	004868F	004868F
	Combination Valve 1/2" Pro. 24 V	003569F	003569F	003569F
	Combination Valve 1/2" Nat. IID 24 V	003900F	003900F	003900F
2-G	Modulation Valve 1/2" Honeywell	N/A	N/A	
3-G	Pilot Gas Valve 24V	600562	600562	
4-G	Pressure Reg. Nat. 1/8	600217	600217	
	Pressure Reg. Pro. 1/8	003568F	003568F	
5-G	Mod Valve 3/4 Nat. Robertshaw	006505F	006504F	
	Mod Valve 3/4 Pro. Robertshaw	006507F	006506F	
6-G	Solenoid Coil	013645F	013645F	013645F
H	HEAT EXCHANGER			
1-H	Heat Exchanger Assy (Complete)			
	Copper	001992F	001993F	001993F
	Cupro Nickel		014310F	014310F
2-H	Inlet/Outlet Header	001994F	001995F	001995F
3-H	Return Header	001996F	001997F	001997F
4-H	Tube Bundle			
	Copper	001998F	001998F	001998F
	Cupro Nickel		014311F	014311F
5-H	Heat Exchange Tube			
	Copper	001999F	001999F	001999F
	Cupro Nickel		014312F	014312F
6-H	Baffle Kit	001622F	001622F	001622F
7-H	Carriage Bolt Kit	N/A	N/A	N/A
	Stud Bolt Kit	007909F	007909F	007909F
8-H	Header Gasket	800001B	800001B	800001B
9-H	Sensor Well	007211F	007211F	007211F
10-H	Well Retaining Clip	300203	300203	300203

*FOR ALTITUDES ABOVE 2,000 FEET ABOVE SEA LEVEL, CONSULT THE FACTORY.

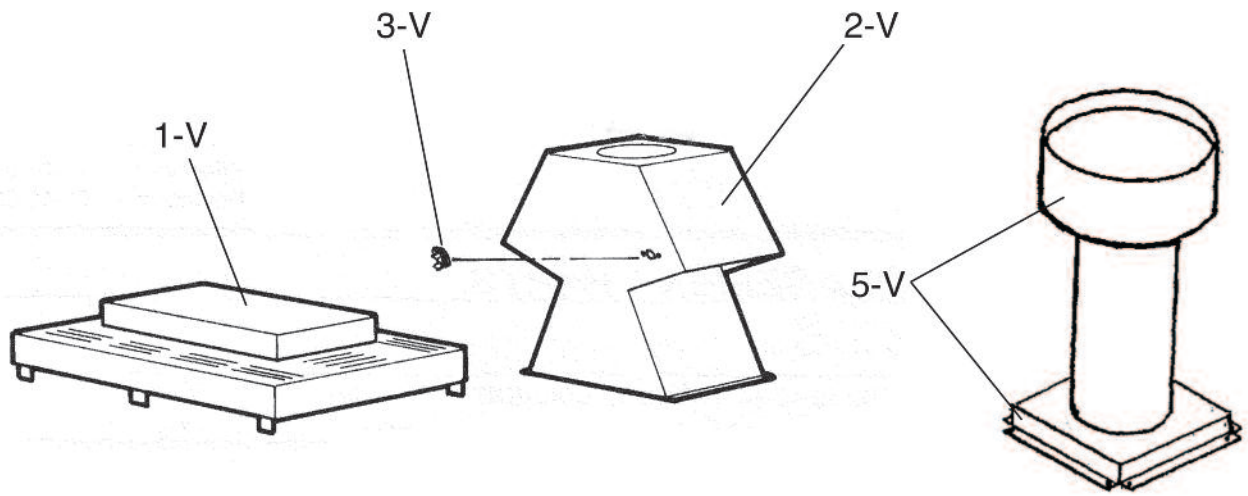
** FOR BOILERS BUILT WITH ROBERTSHAW GAS MOD VALVE

CONVERSION KITS***	
Natural to Propane STG Pilot	053332B
Propane to Natural STG Pilot	053343B
Natural to Propane IID Pilot	N/A
Propane to Natural IID Pilot	N/A

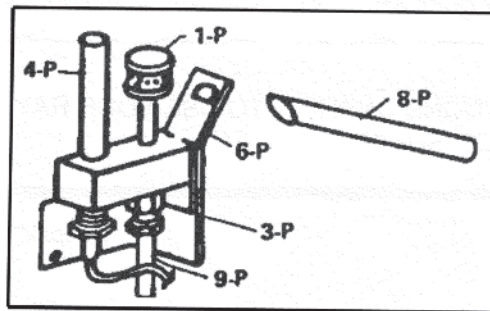
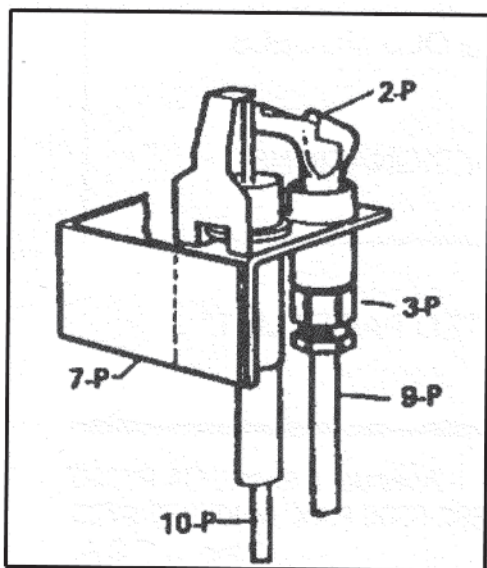
*** GAS CONVERSIONS ARE TO BE DONE ONLY BY A QUALIFIED AGENCY.

CALL OUT	DESCRIPTION	133A H1	133A W2/WH2	133A W1/WH1
J	J-BOX/CONTROL BOX			
1-J	J-Box Standing Nat. & Pro.	002015F	002018F	002018F
	J-Box IID Nat.	002013F	002012F	002013F
	J-Box IID Pro. & Lockout	002012F	002012F	002013F
2-J	Transformer 50VA	006533F	006533F	006533F
3-J	Relay-DPST	007376F	007376F	007376F
	Relay-DPDT	008090F	008090F	008090F
4-J	Toggle Switch	008079F	008079F	008079F
M	MISCELLANEOUS COMPONENTS			
1-M	Switch Plate Std.	900842	900842	900842
	Switch Plate IID	901613	901613	901613
2-M	PRV 45 PSI	007220F		
	PRV 125 PSI		008091F	008091F
3-M	Delimiting Kit	052870F	052870F	052870F
4-M	T & P Gauge	007205F	007399F	007399F
5-M	Pump CIBF*	005571	005571	005571
	Pump Brass*	012912F	012912F	012912F
6-M	Pump Cartridge	951153F	951153F	951153F
7-M	Flow Switch Paddle	010026F	010026F	010026F
8-M	Touch-up Paint			
	Green	750125	750125	750125
	Cool Dark Gray	N/A	750256	750256
	Warm Dark Gray	N/A	750258	750258
R	REFRACTORY			
1-R	Refractory Kit	000992F	000992F	000992F
2-R	Refractory Retainer Kit	002006F	002006F	002006F
S	SHEET METAL			
1-S	Jacket Top			
	Green	002007F	002007F	002007F
	Cool Dark Gray	N/A	014211F	014211F
2-S	Flue Collector	002008F	002008F	002008F
3-S	Door Assy			
	Green	002010F	002010F	002010F
	Warm Dark Gray	N/A	014212F	014212F
4-S	Access Panel			
	Green	001624F	001624F	001624F
	Cool Dark Gray	N/A	014213F	014213F
5-S	Control Panel Standard	002764F	002764F	002764F
	Control Panel IID			
	Green	002765F	002765F	002765F
	Warm Dark Gray	N/A	014215F	014215F
6-S	Jacket - Side LT			
	Green	009174F	009174F	009174F
	Cool Dark Gray	N/A	014216F	014216F
	Jacket - Side RT			
	Green	009175F	009175F	009175F
	Cool Dark Gray	N/A	014217F	014217F
	Jacket - RR			
	Green	009176F	009176F	009176F
	Cool Dark Gray	N/A	014218F	014218F

* For individual pump parts see separate pump parts IPL 9300.100



CALL OUT	DESCRIPTION	133A H1	133A W2/WH2	133A W1/WH1
V	VENTING			
1-V	Stackless Top Kit (Outdoor)			
	Green	N/A	N/A	N/A
	Cool Dark Gray	N/A	N/A	N/A
2-V	Draft Hood Kit (Indoor)w/o Sensor	003723	003723	003723
	Draft Hood Kit (Indoor) w/Sensor			
	Green	004679	004679	004679
	Cool Dark Gray	N/A	014247	014247
3-V	Flue Gas Spillage Sensor	006021F	006021F	006021F
4-V	Vent Damper (Not shown)	004711	N/A	N/A
5-V	Outdoor Stack			
	Green	004301	004301	004301
	Cool Dark Gray	N/A	011558	011558



CALL OUT	DESCRIPTION	133A H1	133A W2/WH2	133A W1/WH1
P	PILOT			
1-P	Pilot Nat. Standing	002001F	002001F	002001F
	Pilot Pro. Standing	002002F	002002F	002002F
2-P	Pilot Nat. IID	002003F	002003F	002003F
	Pilot Pro. IID	002003F	002003F	002003F
3-P	Pilot Orifice Nat. Standing	600002F	600002F	600002F
	Pilot Orifice Pro. Standing	600422F	600422F	600422F
	Pilot Orifice Nat. IID	600811	600811	600811
	Pilot Orifice Pro IID	601218	601218	601218
4-P	Thermocouple	600003	600003	600003
5-P	Ignition Control	004817B	004817B	004817B
	Ignition Control Lockout	004818B	004818B	004818B
	Ignition Control IID/Damper	005017F		
	Ignition Control Lockout Damper	004935F		
6-P	Pilot Mounting Bracket Standing	006054F	006054F	006054F
7-P	Pilot Mounting Bracket IID	006055F	006055F	006055F
8-P	Lighter Tube Standing	052797	052797	052797
9-P	Pilot Tube	004078F	004078F	004078F
10-P	Hi Tension Wire	006088B	006088B	006088B
	Hi Tension Wire W/pilot Electrode	N/A	N/A	N/A



Registered Quality Management System

www.raypak.com