

COMMERCIAL
MODELS: 183A THRU 403A

CATALOG NO. 9300.201
Effective: 01-15-16
Replaces: 10-15-14

RAYPAK ILLUSTRATED PARTS LIST

MODEL SIZES: 183A, 263A, 333A, 403A

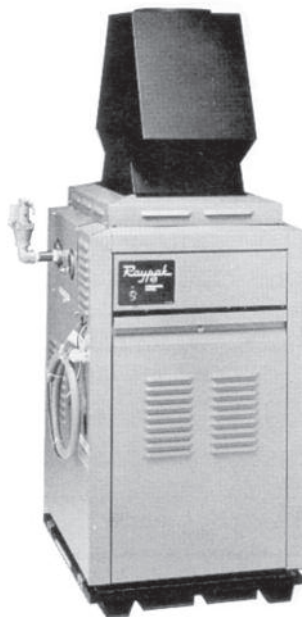
MODEL TYPES: H AND W

DATES OF MANUFACTURE: 02-01-84 THROUGH 12-31-88

MODEL H4 BUILT FOR MODELS 183A AND 263A ONLY

MODEL H4 03-01-87 THROUGH 12-31-88

THE PARTS LISTED ARE FOR STANDARD EQUIPMENT FOR THIS MODEL TYPE. RAYPAK RESERVES THE RIGHT TO SUBSTITUTE, DELETE OR CHANGE ANY PART WITHOUT NOTIFICATION. THE ADDITION OF OPTIONS MAY ALSO CHANGE SOME OF THE PARTS. ORDER REPLACEMENT PARTS FROM ACTUAL HEATER COMPONENTS.



MODEL TYPE DESIGNATIONS

NEW MODEL TYPES

H1
H3
H4
H5
W1
W2

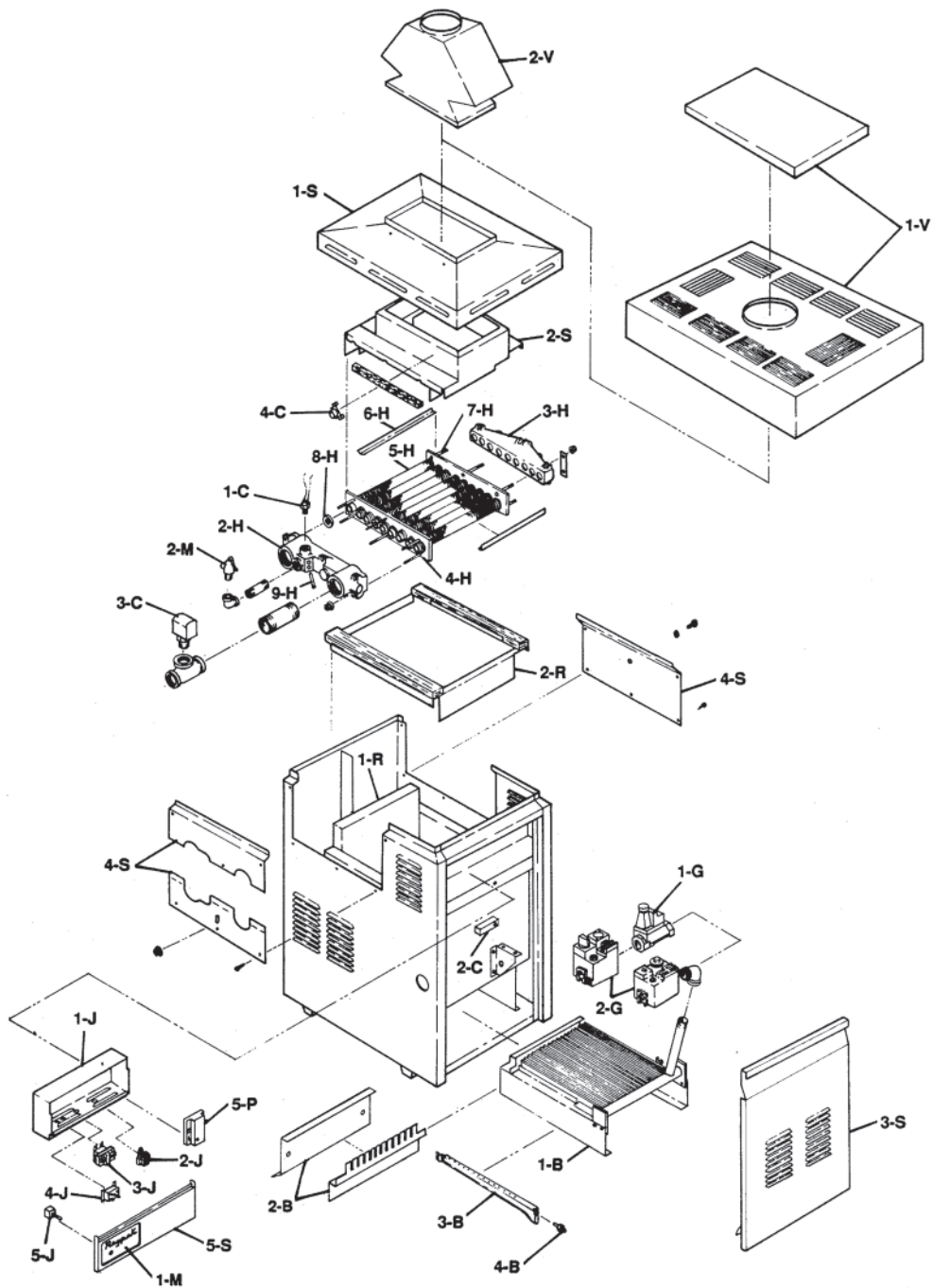
OLD MODEL TYPES

T
Tb
Tc (Released 3-1-87)
Td
WT
THWS

FOR DETAILED INSTRUCTIONS, SEE "HOW TO USE YOUR RAYPAK ILLUSTRATED PARTS LIST",
CATALOG NO. 9001.10



Raypak, Inc., 2151 Eastman Avenue, Oxnard, CA 93030
(805) 278-5300 Fax (800) 872-9725
Litho In U.S.A.



HONEYWELL MILLIVOLT PILOT

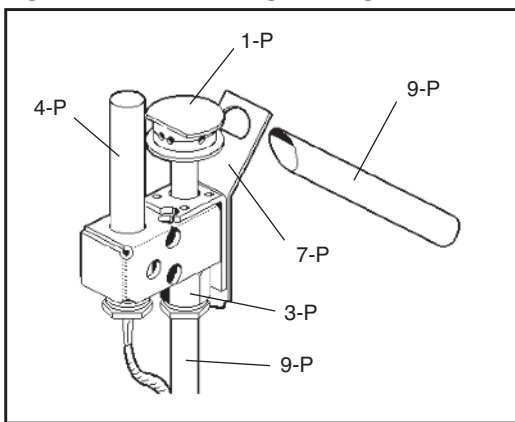


FIG # 8107

HONEYWELL IID PILOT

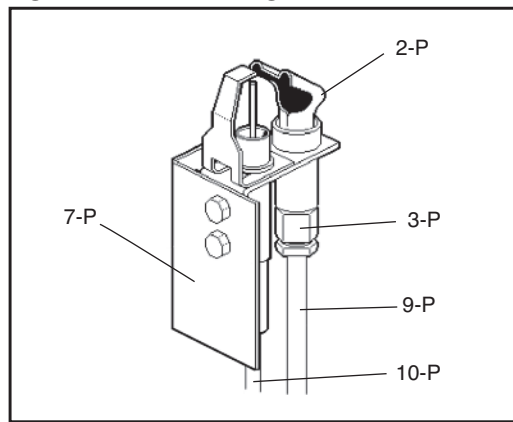


FIG # 8124

CALL OUT	DESCRIPTION	183A	263A	333A	403A
B	BURNER TRAY**				
1-B	Burner Tray w/Burners (Sea Level)*	N/A	N/A	N/A	N/A
	Burner Tray w/o Burners (Sea Level)*	N/A	N/A	N/A	N/A
2-B	Burner Spacer/Hold Down Bracket kit	N/A	N/A	N/A	N/A
3-B	Burner	301210/12	301210/17	301210/21	301210/26
4-B	Burner Orifice Nat. #50 (Sea Level)*	350079F/12	350079F/17	350079F/21	350079F/26
	Burner Orifice Pro. #57 (Sea Level)*	350083F/12	350083F/17	350083F/21	350083F/26
C	CONTROLS				
1-C	Auto Hi Limit Fixed (H1)	600791	600791	600791	600791
2-C	Manual Hi Limit (W2)	007144F	007144F	007144F	007144F
	Auto Reset Dualstat (W1, H4)	600464	600464	600464	600464
	Adj/Auto Hi Limit (H3, H5)	007141F	007141F	007141F	007141F
	Controller 2 Stage (H3)	600887	600887	600887	600887
3-C	Flow Switch	007142F	007142F	007142F	007142F
4-C	Thermostat TTD (H1, H3, H5)	003609F	003609F	003609F	003609F
5-C	Flow Switch Paddle McDonnell Miller	004079F	004079F	004079F	004079F
	Taco	010026F	010026F	010026F	010026F
G	GAS VALVES	SEE GAS VALVE REPLACEMENT CHART			
H	HEAT EXCHANGER				
1-H	Heat Exchanger Assy Cast Iron	002032F	002033F	002034F	002035F
	Heat Exchanger Assy Brass	002036F	002037F	002038F	002039F
2-H	Inlet/Outlet Header Cast Iron	002040F	002040F	002040F	002040F
	Inlet/Outlet Header Brass	002041F	002041F	002041F	002041F
3-H	Return Header Cast Iron	002042F	002042F	002042F	002042F
	Return Header Brass	002043F	002043F	002043F	002043F
4-H	Tube Bundle	002044F	002045F	002046F	002047F
5-H	Heat Exchange Tube	002048F	002049F	002050F	002051F
6-H	Baffle Kit	001299F	001300F	001301F	001302F
7-H	Bolt Kit	N/A	N/A	N/A	N/A
8-H	Header Gasket	800203B	800203B	800203B	800203B
9-H	Sensor Well	007211F	007211F	007211F	007211F
10-H	Well Retaining Clip	300203	300203	300203	300203
J	J BOX/CONTROL BOX				
1-J	Control Box STD (H1, H5)	002052F	002052F	002052F	002052F
	Control Box STD (H3)	002053F	002053F	002053F	002053F
	Control Box STD (W1,W2,H4)	002054F	002054F	002054F	002054F
	Control Box IID Nat. (H1, H5)	002055F	002055F	002055F	002055F
	Control Box IID Nat. (H3)	002056F	002056F	002056F	002056F
	Control Box IID Nat. (W1, W2, H4)	002057F	002057F	002057F	002057F
	Control Box IID Pro., Lock. (H1, H5)	002058F	002058F	002058F	002058F
	Control Box IID Pro., Lock. (H3)	002059F	002059F	002059F	002059F
	Control Box IID Pro., Lock (W1, W2, H4)	002060F	002060F	002060F	002060F
	J Box C2 Nat. (Not Shown)	N/A	N/A	N/A	N/A
2-J	Transformer 40VA	006533F	006533F	006533F	006533F
	Spark Generator C2 (Not Shown)	007361F	007361F	007361F	007361F
3-J	Relay SPST 24V	007377F	007377F	007377F	007377F
	Relay SPST	650473	650473	650473	650473
	Relay SPDT C2 (Not Shown)	650117	650117	650117	650117
4-J	Toggle Switch	650500	650500	650500	650500
	Toggle Switch IID, Lock & C2	008079F	008079F	008079F	008079F

*FOR ALTITUDES ABOVE 2,000 FEET ABOVE SEA LEVEL, CONSULT FACTORY OR SERVICE OUTLET.

**REPLACEMENT BURNER TRAYS ARE BUILT FOR SEA LEVEL, NATURAL GAS APPLICATIONS UNLESS OTHERWISE SPECIFIED AT THE TIME THE ORDER IS PLACED.

CALL OUT	DESCRIPTION	183A	263A	333A	403A
M	MISCELLANEOUS				
1-M	Switch Plate Std.	900591	900591	900591	900591
	Switch Plate IID	900593	900593	900593	900593
2-M	PRV 30 PSI (H5)	007217F	007217F	007217F	007217F
	PRV 45 PSI (H1, H3, H4)	007220F	007220F	007220F	007220F
	PRV I25 PSI (W1, W2)	008091F	011912F	011912F	011912F
3-M	Deliming Kit	052871F	052871F	052871F	052871F
4-M	T & P Gauge 0-90 PSI	007205F	007205F	007205F	007205F
	T & P Gauge 0-200 PSI	007399F	007399F	007399F	007399F
P	PILOT				
1-P	Pilot Nat. Standing	002001F	002001F	002001F	002001F
	Pilot Pro. Standing	002002F	002002F	002002F	002002F
2-P	Pilot Nat. IID	002003F	002003F	002003F	002003F
	Pilot Pro. IID			002003F	002003F
	Pilot C2 Nat.	002065F	002065F	002065F	002065F
3-P	Pilot Orifice Nat. Standing	600002	600002	600002	600002
	Pilot Orifice Pro. Standing	600422	600422	600422	600422
	Pilot Orifice Nat. IID	600811	600811	600811	600811
	Pilot Orifice Pro. IID			601218	601218
	Pilot Orifice Nat. C2	600552	600552	600552	600552
4-P	Thermocouple (Standing Pilot)	600003	600003	600003	600003
5-P	Ignition Control IID Pilot	004817B	004817B	004817B	004817B
	Ignition Control Lock. IID Pilot	004818B	004818B	004818B	004818B
	Ignition Control C2 Pilot Complete (Not Shown)	008702F	008702F	008702F	008702F
6-P	Pilot Mounting Bracket Std.	305161F	305161F	305161F	305161F
7-P	Pilot Mounting Bracket IID	305160F	305160F	305160F	305160F
	Pilot Mounting Bracket C2	305622F	305622F	305622F	305622F
8-P	Lighter Tube (Standing Pilot)	052797	052797	052797	052797
9-P	Pilot Tube	400275	400275	400275	400275
10-P	Hi Tension Wire	002654B	002654B	002654B	002654B
11-P	Amplifier Flame Rectification (Not Shown)	008092F	008092F	008092F	008092F
R	REFRACTORY				
1-R	Refractory Kit	001295F	001296F	001297F	001298F
2-R	Refractory Retainer Kit	001304F	001305F	001306F	001307F
S	SHEET METAL				
1-S	Jacket Top	N/A	N/A	N/A	N/A
2-S	Flue Collector	N/A	N/A	N/A	N/A
3-S	Door Assy.	N/A	N/A	N/A	N/A
4-S	Access Panel Group	N/A	N/A	N/A	N/A
5-S	Control Panel Std.	002766F	002767F	002768F	002769F
	Control Panel IID	002770F	002771F	002772F	002773F
6-S	J Box Sheet Metal C2 (Not Shown)	002237F	002237F	002237F	002237F
7-S	Combustible Floor Shield (Not Shown)	001286	001287	001288	001289
V	VENTING				
1-V	Stackless Top Kit (Outdoor)	N/A	N/A	N/A	N/A
2-V	Draft Hood Kit (Indoor)	003724	003725	003726	003727

GAS VALVES		PART NO.	H1				H3				H5			
			183A	263A	333A	403A	183A	263A	333A	403A	183A	263A	333A	403A
1-G	MODULATING GAS VALVES													
	Valve - 1/2" 120 - 240	N/A	1											
	Valve - 3/4" 120 - 240	N/A		1	1									
	Valve - 1" 120 - 240	N/A				1								
	Valve - 1" 140 Max	N/A											1	
	Valve - 1/2" 140 Max	N/A								1				
	Valve - 3/4" 140 Max	N/A									1	1		
2-G	AUTOMATIC GAS VALVES (NAT)													
	Valve - 24V 3/4"	004876F							1	1				
	Valve - 2 Stage 3/4"	004883F						1						
	Valve - Combination 2 Stage 3/4"	004883F					1	1						
	Valve - Combination 2 Stage I"	004883F								1				
	Valve - Comb.Step 3/4" (IID Units)	003900F	1	1	1					1	1	1		
	Valve - Combination Step I/2"	004868F	1							1				
	Valve - Combination Step 3/4"	004868F												
	Valve - Combination Step 3/4"	004868F		1	1						1	1		
	Valve - Combination Step I"	N/A *				1							1	
	Valve - Comb.Step I" (IID Units)	004877F				1							1	
	Valve - 2 Stage 3/4" (IID Units)	004879F					1	1	1	1				

*CONSULT FACTORY

GAS VALVES		PART NO.	H4		W2				W1			
			183A	263A	183A	263A	333A	403A	183A	263A	333A	403A
1-G	MODULATING GAS VALVES											
	Valve - 1/2" 85 - 210	N/A			1							
	Valve - 3/4" 85 - 210	N/A				1	1					
	Valve - 1" 85 -210	N/A						1				
2-G	AUTOMATIC GAS VALVES (NAT)											
	Valve - 24V 3/4"	004876F								1	1	
	Valve - Comb.Step 3/4" (IID Units)	003900F	1	1	1	1	1		1	1	1	1
	Valve - Combination Step 3/4"	004868F	1	1					1	1		
	Valve - Combination Step 3/4"	004868F				1	1				1	
	Valve - Combination Step I"	N/A *						1				1
	Valve - Comb.Step I" (IID Units)	004877F						1				

*CONSULT FACTORY



Registered Quality Management System

www.raypak.com