

Job: \_\_\_\_\_  
Engineer: \_\_\_\_\_  
Contractor: \_\_\_\_\_  
Prepared By: \_\_\_\_\_ Date: \_\_\_\_\_

# Power Vent

For Raytherm®  
Models 181-401 & 182-400

## Versatile

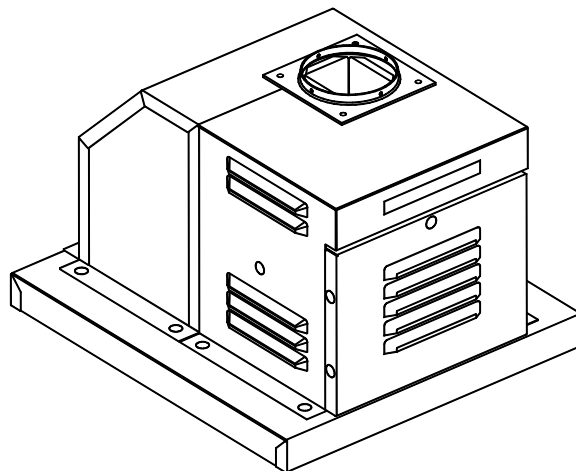
Suitable for use with hydronic heating boilers and hot water heaters  
Permits sidewall venting  
Allows use of vent pipe as small as 4" in diameter

## Efficient

Maintains thermal efficiency of 82% on all appliance sizes

## Multi-Position Capability

90° elbow rotates to align fan discharge with vent pipe and reduce the number of fittings required



## Features

- Induced draft
- Plenum sized for appliance capacity
- Air flow proving switch, mounted and wired
- Fan motor relay, mounted and wired
- 115/230 Volt, 60 Hertz, 1.95/1.0 Amp, 130 CFM Max., 3200 RPM motor; Factory-wired for 115 Volts
- 90° elbow can be used as a termination cap for horizontal venting
- Heavy-duty galvanized steel cabinet
- Polytuf powder coat finish
- Indoor/Outdoor construction
- Easy installation
- Limited one-year warranty
- Shipped loose for field mounting

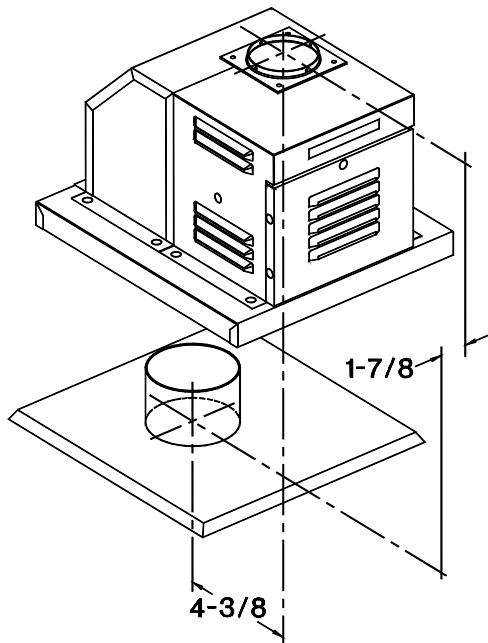
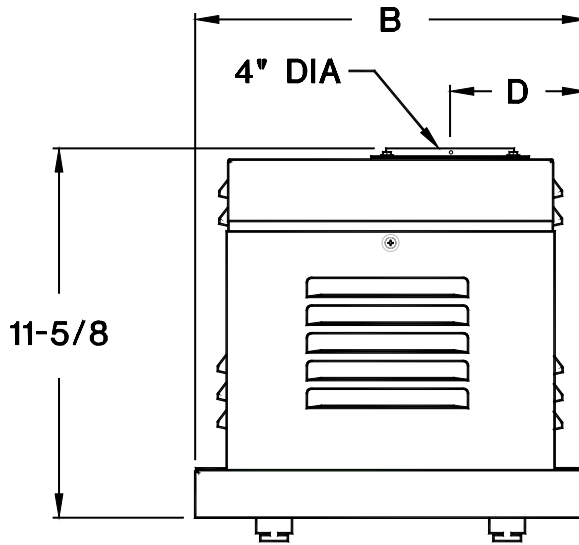
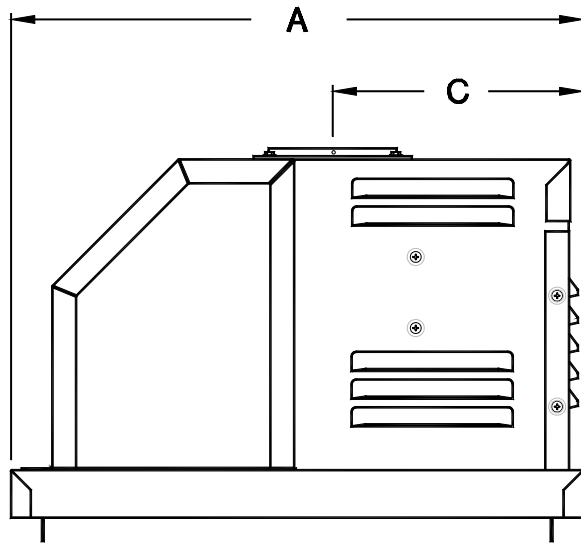


**Raypak®**  
A Rheem® Company

# Power Vent

For Raytherm 181-401 & 182-400

Model \_\_\_\_\_



Raytherm Model	Part Number	Dimensions (in.)			
		A	B	C	D
181/182	008757	18-1/8	12-3/8	7-7/8	4-1/4
261/260	008757	18-1/8	12-3/8	7-7/8	4-1/4
331/330	008758	17-1/2	15-3/4	7-5/8	6
401/400	008758	17-1/2	15-3/4	7-5/8	6

**NOTES:**

- All units can exhaust flue gases at:
  - Horizontal**  
Up to 40 ft. of equivalent length vent pipe  
90° elbow = 10 ft. equivalent length  
45° elbow = 5 ft. equivalent length
  - Vertical**  
Up to 40 ft. straight vertical venting  
For vents above 40 ft., a barometric damper is required.
- Vent pipe must meet Category III appliance venting requirements.
- Vent pipe sizes are based 300°F nominal flue temperature and sea-level operation. For installation under other conditions, please consult the factory.