

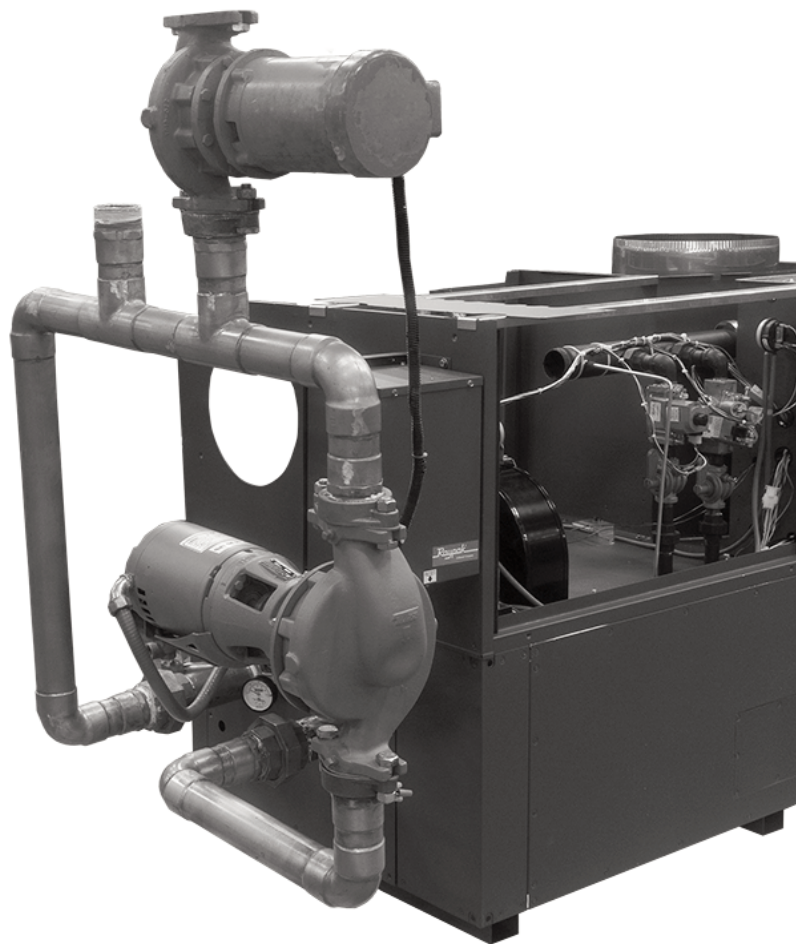
RAYPAK ILLUSTRATED PARTS LIST

MODEL SIZES: HI DELTA, MVB & RAYTHERM

MODEL TYPE: H, WH & P

DATE OF MANUFACTURE: 2006 THRU CURRENT EXCEPT AS NOTED.
302B AND 402B THRU 5-31-15

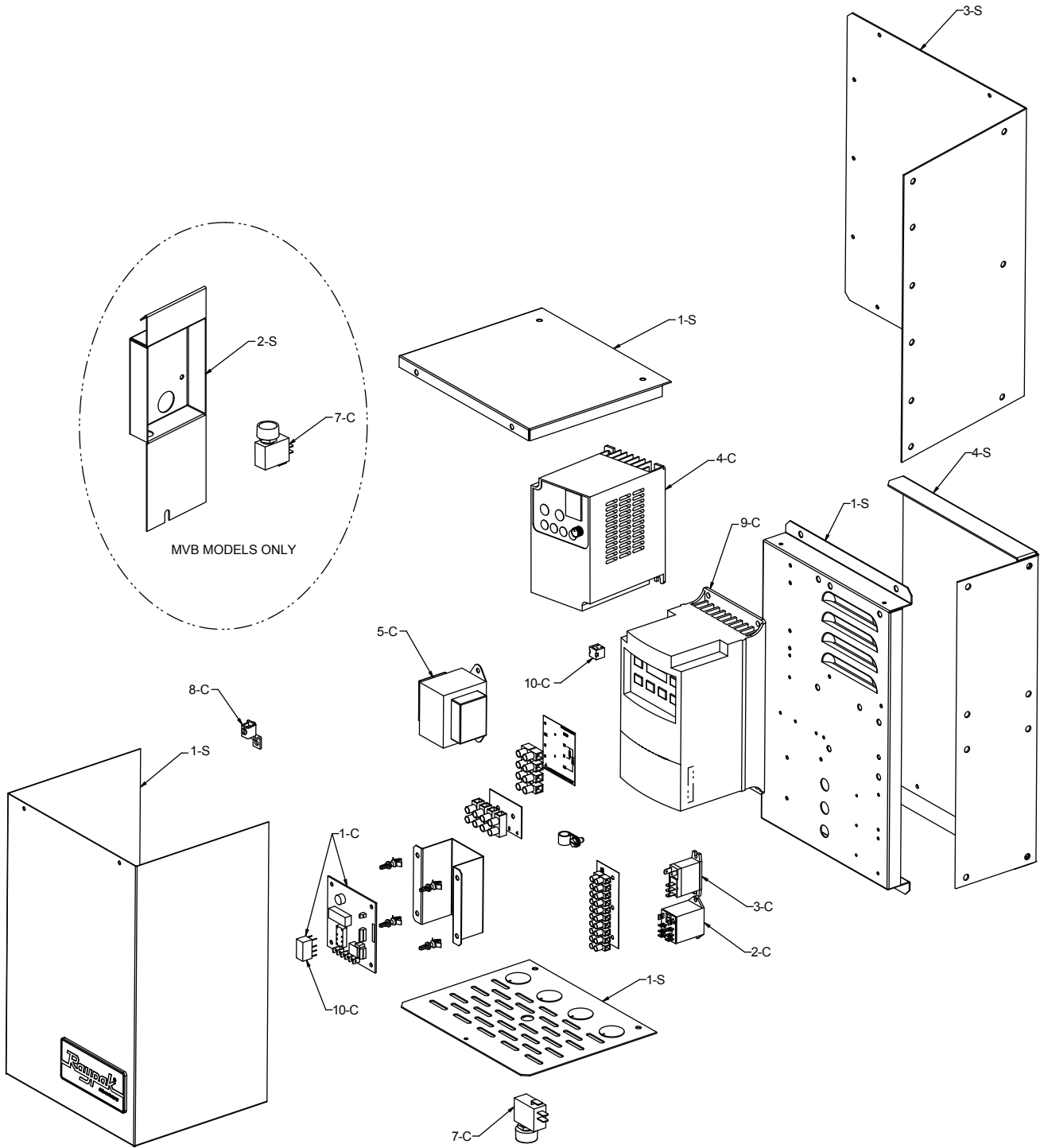
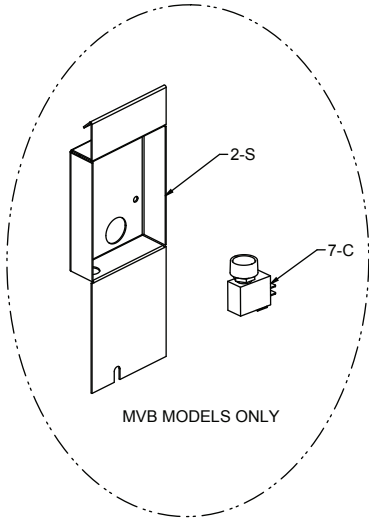
THE PARTS LISTED ARE FOR STANDARD EQUIPMENT FOR THIS MODEL TYPE. RAYPAK RESERVES THE RIGHT TO SUBSTITUTE, DELETE OR CHANGE ANY PART WITHOUT NOTIFICATION. THE ADDITION OF OPTIONS MAY ALSO CHANGE SOME OF THE PARTS. ORDER REPLACEMENT PARTS FROM ACTUAL HEATER COMPONENTS.

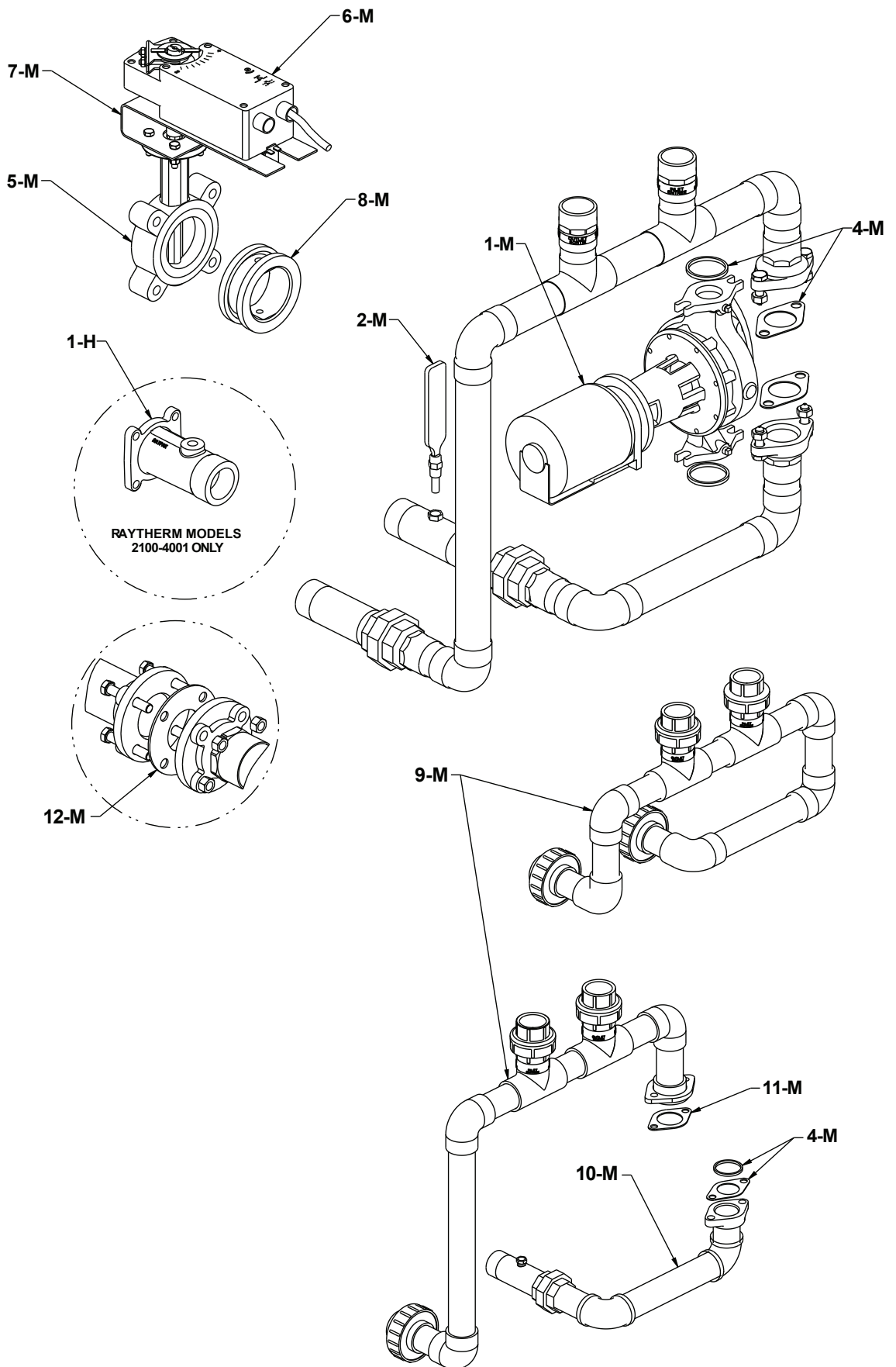


FOR DETAILED INSTRUCTIONS, SEE "HOW TO USE YOUR RAYPAK ILLUSTRATED PARTS LIST",
CATALOG NO. 9001.10



Raypak, Inc., 2151 Eastman Avenue, Oxnard, CA 93030
(805) 278-5300 Fax (800) 872-9725
Litho In U.S.A.





CALL OUT	DESCRIPTION	HI DELTA		HI DELTA SS	MVB			RAYTHERM
		302B-2342B	502C-2342C		503-2004	503A-2004A	2503-4003	
1-C	PC Board Assy-Control	011717F	N/A	N/A	011717F	N/A	N/A	011717F
11-C	Relay - DPDT 24VDC	005962F	N/A	N/A	005962F	N/A	N/A	005962F
2-C	Relay - DPDT 24VAC	011720F	N/A	N/A	011720F	N/A	N/A	011720F
3-C	Relay - SPDT 24VAC	009039F	N/A	N/A	009039F	N/A	N/A	009039F
4-C	Inverter 240V	011835F	N/A	N/A	011835F	N/A	N/A	011835F
9-C	Inverter - Dual Voltage 120/240V	012984F	015407F	N/A	012984F	015407F	N/A	012984F
10-C	Chip - Programmed	013070F	015408F	N/A	013070F	015408F	N/A	013070F
5-C	Transformer	011718F	N/A	N/A	011718F	N/A	N/A	011718F
6-C	Temperature Sensor 10K (Not Shown)	010787F	N/A	010787F	010787F	N/A	N/A	010787F
7-C	Alarm Reset Switch	005641F	N/A	N/A	005641F	N/A	N/A	005641F
8-C	Ground Lug	007155F	N/A	N/A	007155F	N/A	N/A	007155F
1-H	Inlet Adapter-2-1/2 NPT (2100-4001)	N/A	N/A	N/A	N/A	N/A	N/A	012316F
1-M	Bypass Pump*							
	SS/BR 1/8 HP 1-1/2" Flange	N/A	N/A	013425F	N/A	N/A	N/A	N/A
	CI 1/8 HP 1-1/2" Flange	N/A	N/A	013426F	N/A	N/A	N/A	N/A
	BR 1/4 HP 4.5" Impeller	007226F	007226F	007226F	007226F	007226F	N/A	007226F
	CI 1/4 HP 4.5" Impeller	007232F	007232F	007232F	007232F	007232F	N/A	007232F
	BR 3/4 HP 5.65" Impeller	007348F	007348F	N/A	007348F	007348F	N/A	007348F
	CI 3/4 HP 5.65" Impeller	007354F	007354F	N/A	007354F	007354F	N/A	007354F
	BR 1.0 HP 6.15" Impeller	007351F	007351F	N/A	007351F	007351F	N/A	007351F
	CI 1.0 HP 6.15" Impeller	007357F	007357F	N/A	007357F	007357F	N/A	007357F
	SS 1.5 HP 6.0" Impeller	N/A	N/A	N/A	N/A	N/A	015660F	N/A
	SS 1.5 HP 7.0" Impeller	N/A	N/A	N/A	N/A	N/A	015661F	N/A
	SS 1.5 HP 7.5" Impeller	N/A	N/A	N/A	N/A	N/A	015662F	N/A
	SS 3.0 HP 6.0" Impeller	N/A	N/A	N/A	N/A	N/A	015663F	N/A
	SS 3.0 HP 6.5" Impeller	N/A	N/A	N/A	N/A	N/A	015664F	N/A
4-M	Pump Flange Gasket (2 Bolt Flange) (1/8 HP)	N/A	N/A	008747F	N/A	N/A	N/A	N/A
	Pump Flange Gasket (2 Bolt Flange) (1/4 - 1.0 HP)	013423F	013423F	013423F	013423F	013423F	013423F	013423F
	Pump Gasket KV3007 (4 Bolt Flange)	N/A	N/A	N/A	N/A	N/A	015544F	N/A
2-M	Thermometer-Vertical	000919	000919	000919	000919	000919	N/A	000919
3-M	Injector Pump (Not Shown)*							
	SS 1/8 HP (HD251)	N/A	N/A	951446	N/A	N/A	N/A	N/A
	CI 1/8 HP (HD251)	N/A	N/A	951447	N/A	N/A	N/A	N/A
	BR 1/8 HP	N/A	N/A	012600F	N/A	N/A	N/A	N/A
	CI 1/8 HP	N/A	N/A	012601F	N/A	N/A	N/A	N/A
	SS 1/8 HP (302-402)	951625	951625	N/A	N/A	N/A	N/A	N/A
	CI 1/8 HP (302-402)	951624	951624	N/A	N/A	N/A	N/A	N/A
	BR 1/4 HP	951414	951414	N/A	951414	951414	N/A	951414
	CI 1/4 HP	951415	951415	N/A	951415	951415	N/A	951415
	BR 1/3 HP	012669F	012669F	N/A	012669F	012669F	N/A	012669F
	CI 1/3 HP	951413	951413	N/A	951413	951413	N/A	951413
	BR 3/4 HP	951411	951411	N/A	951411	951411	N/A	951411
	CI 3/4 HP	951416	951416	N/A	951416	951416	N/A	951416
	BR 1.0 HP 6.15" Impeller	N/A	N/A	N/A	N/A	N/A	007351F	N/A
	SS 1.5 HP 6.0" Impeller	N/A	N/A	N/A	N/A	N/A	015666F	N/A
	BR 1.5 HP 6.4" Impeller	N/A	N/A	N/A	N/A	N/A	007937F	N/A
	SS 1.5 HP 6.5" Impeller	N/A	N/A	N/A	N/A	N/A	015665F	N/A
13-M	Injector Pump Cover (Not Shown)							
	1/4, 1/3 or 3/4 HP Pump	012987F	012987F	012987F	012987F	012987F	N/A	012987F
	1/8 HP Pump (HD251)	N/A	N/A	016258F	N/A	N/A	N/A	N/A
	1/8 HP Pump (HD101-HD201, HD301-HD401)	N/A	N/A	016257F	N/A	N/A	N/A	N/A
5-M	2-Way Valve Assy	N/A	N/A	N/A	N/A	N/A	015650F	N/A
6-M	Valve Actuator 180 In Lbs	N/A	N/A	N/A	N/A	N/A	014046F	N/A
7-M	Mounting Bracket Kit	N/A	N/A	N/A	N/A	N/A	015551F	N/A
8-M	Gasket Stainless Steel Valve Assy	N/A	N/A	N/A	N/A	N/A	015552F	N/A
9-M	Bypass Plumbing Assembly CPVC (Pool Only)							
	Models 992-1262 Complete	015764F	015764F	N/A	N/A	N/A	N/A	N/A
	Models 1532-2342 Upper	015765F	015765F	N/A	N/A	N/A	N/A	N/A
11-M	Pump Flange Gasket (2 Bolt Flange) 1532-2342	015893F	015893F	N/A	N/A	N/A	N/A	N/A
10-M	Bypass Plumbing Assembly Lower Copper (Includes 4-M)							
	Models 1532-2342 (Pool Only)	015766F	015766F	N/A	N/A	N/A	N/A	N/A
12-M	Gasket (4 Bolt Flange)	015892F	015892F	N/A	N/A	N/A	N/A	N/A
1-S	Control Box Sheet Metal	012315F	012315F	N/A	012315F	012315F	N/A	012315F
2-S	Control Box Cover	N/A	N/A	N/A	011978F	011978F	N/A	N/A
3-S	Control Box Mtg Bracket	N/A	N/A	N/A	N/A	N/A	N/A	N/A
4-S	Control Box Mtg Bracket	013637F	013637F	N/A	N/A	N/A	N/A	013637F

* For individual pump parts see separate pump parts IPL 9300.100

NOTE: Sizing is specific to the application.



www.raypak.com