

COMMERCIAL
MODELS: ADB 500 THRU 1000

CATALOG NO. 9300.70
Effective: 01-01-19
Replaces: 11-15-18

RAYPAK REPLACEMENT PARTS

MODEL SIZES: 500, 750, 1000

MODEL TYPES: ADVANCED DESIGN BOILER H, W, WH

DATES OF MANUFACTURE:	ADB 500	08-01-97	THRU	12-31-08
	ADB 750	04-01-98	THRU	03-13-02
	ADB 1000	08-01-98	THRU	03-18-02

THE PARTS LISTED ARE FOR STANDARD EQUIPMENT FOR THIS MODEL TYPE. RAYPAK RESERVES THE RIGHT TO SUBSTITUTE, DELETE OR CHANGE ANY PART WITHOUT NOTIFICATION. THE ADDITION OF OPTIONS MAY ALSO CHANGE SOME OF THE PARTS. ORDER REPLACEMENT PARTS FROM ACTUAL HEATER COMPONENTS.

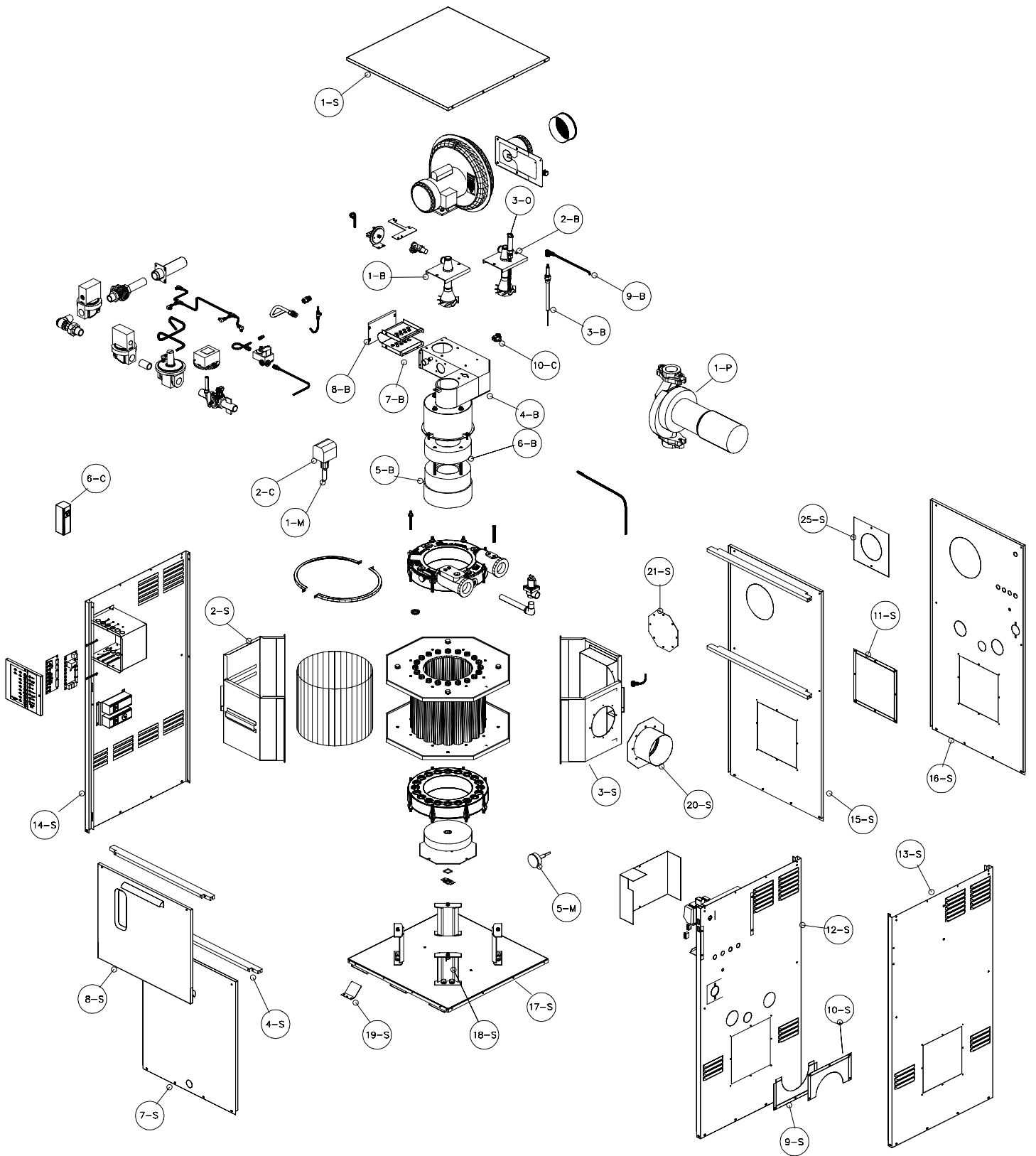


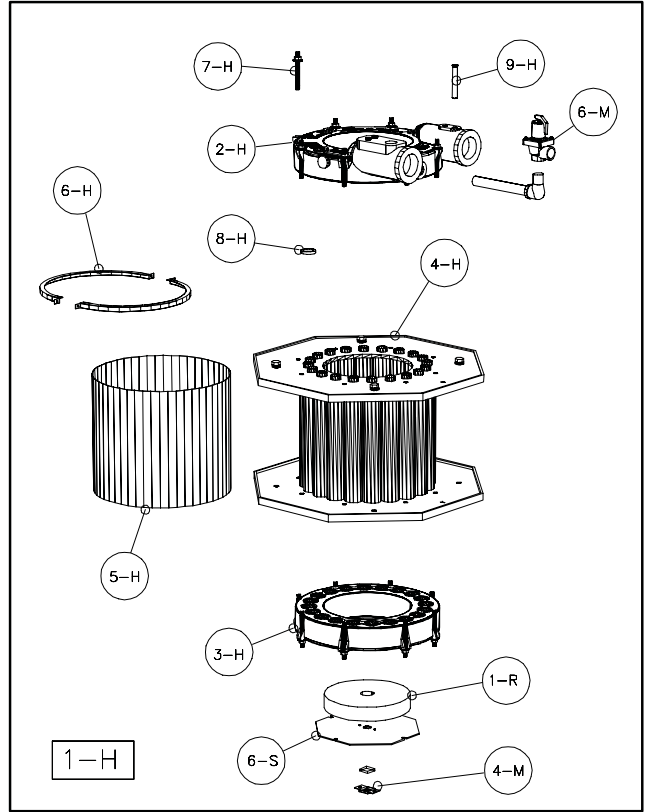
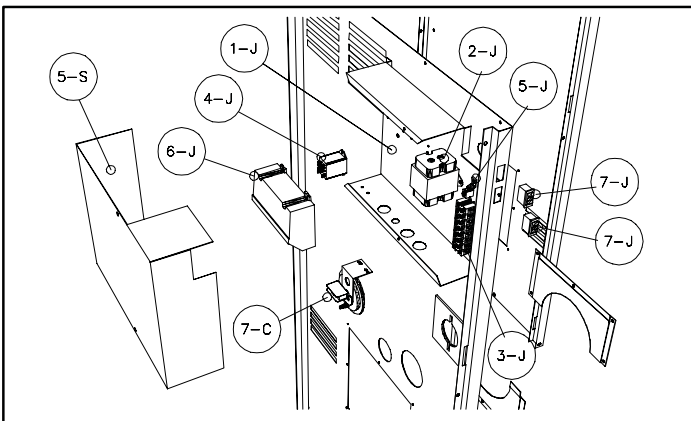
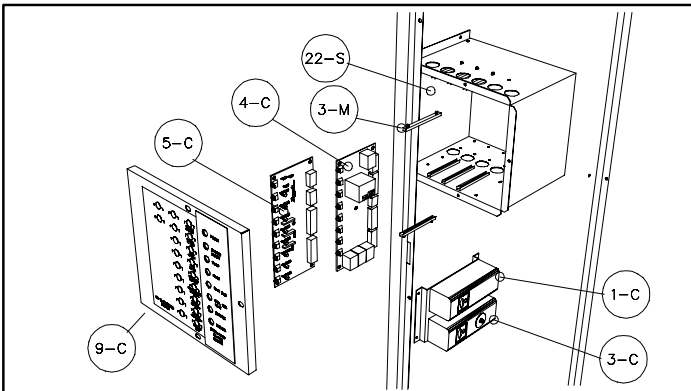
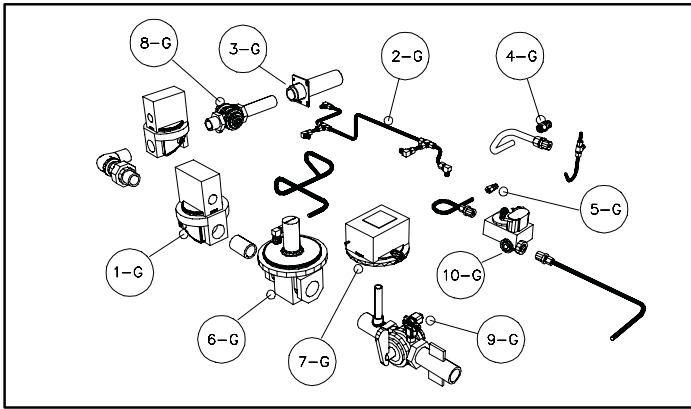
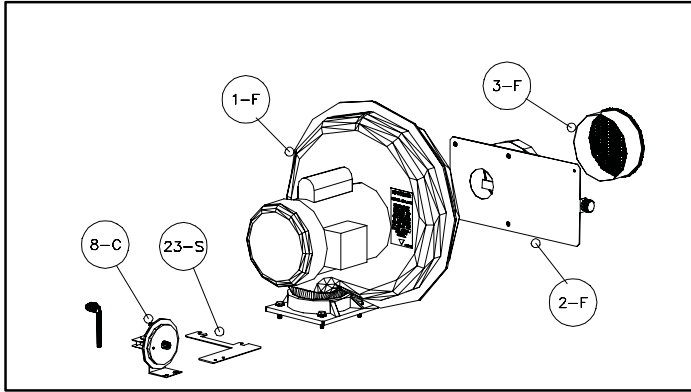
ADB 500

FOR DETAILED INSTRUCTIONS, SEE "HOW TO USE YOUR RAYPAK ILLUSTRATED PARTS LIST",
CATALOG NO. 9001.10



Raypak, Inc., 2151 Eastman Avenue, Oxnard, CA 93030
(805) 278-5300 Fax (805) 278-5489
Litho In U.S.A.





CALL OUT	DESCRIPTION	500	750	1000
B	BURNER ASSEMBLY			
1-B	Burner / Pilot Assembly IID	007105F	007106F	007107F
2-B	Burner / Pilot Assembly C-2	007110F	007111F	007112F
3-B	Ignitor-Spark Rod	007124F	007124F	007125F
4-B	Plenum Assembly Complete	007131F	007132F	007133F
5-B	Burner Block	007115F	007116F	007117F
6-B	Burner Housing Refractory Block	007118F	007119F	007120F
7-B	Baffle-Gas/Air Mixing	007126F	007127F	007128F
8-B	Plenum End Panel	007136F	007137F	007138F
9-B	High Tension Wire	007121F	007121F	007121F
10-B	Pilot Burner (not shown)	007923F	007923F	007923F
C	CONTROLS			
1-C	Auto Reset High Limit	007141F	007141F	007141F
2-C	Flow Switch	007142F	007142F	007142F
3-C	Manual Reset High Limit	007144F	007144F	007144F
4-C	Printed Circuit Board - Central Point Wiring	007146F	007146F	007146F
5-C	Printed Circuit Board - U2	007147F	007147F	007147F
6-C	Remote Aquastat- Storage tank (Tankstat)	007148F	007148F	007148F
7-C	Switch-Pressure Vent Normally Closed	007158F	007158F	007158F
8-C	Switch-Pressure Air Normally Open	007163F	007163F	007163F
9-C	Control Box Cover	007149F	007149F	007149F
10-C	Thermostat Manual Reset	006035F	006035F	006035F
J	CONTROL BOX			
1-J	Control Box Complete	007150F	007150F	007150F
2-J	Transformer 120/24 50 VA	006533F	006533F	006533F
3-J	Terminal Block 8 space	007152F	007152F	007152F
	Terminal Block w/Ground Tab (Not Shown)	008523F	008523F	008523F
4-J	Relay DPDT 24 VAC	007925F	007925F	007925F
5-J	Connector-Wire Bonding 14/6	007155F	007155F	007155F
6-J	Ignition Control IID	007156F	007156F	007156F
7-J	Switch-Rocker SPST 16A	006872F	006872F	006872F
F	FAN			
1-F	Blower Combustion Air	N/A	N/A	N/A
2-F	Air Shutter Assembly	006942F	006943F	006943F
3-F	Cap Intake Vent	007162F	007162F	007162F
G	GAS TRAIN			
1-G	Auto On/Off Valve (V-88)	004093F	004093F	004094F
2-G	Bleed Line Assembly	007166F	007166F	007166F
	Vent Line Assembly	007167F	007167F	007167F
3-G	Manifold-Gas Injector Nat	007168F	007169F	007170F
	Manifold-Gas Injector Pro	007173F	007174F	007175F
4-G	Orifice-Pilot Air	007178F	007178F	007178F
5-G	Orifice-Pilot Pro	007180F	007180F	007180F
	Orifice-Pilot Nat	007181F	007181F	007181F
6-G	Regulator Gas 1" Nat	007182F	007183F	N/A
	Regulator Gas 1-1/4" Nat	N/A	N/A	007184F
	Regulator Gas 1" Pro	007185F	007185F	N/A
	Regulator Gas 1-1/4" Pro	N/A	N/A	007186F
7-G	Switch Low Gas Pressure	007187F	007187F	007187F
8-G	Valve Gas Manual A 1"	007189F	007189F	N/A
	Valve Gas Manual A 1-1/4"	N/A	N/A	007190F
9-G	Valve Gas Manual B	007195F	007195F	007195F
10-G	Valve Pilot Gas Nat	007196F	007196F	007196F
	Valve Pilot Gas Pro	007197F	007197F	007197F
11-G	Switch High Gas Pressure (optional) Not Shown	007188F	007188F	007188F

CALL OUT	DESCRIPTION	500	750	1000
H	HEAT EXCHANGER			
1-H	Heat Transfer Assy. Cupro Nickel (Includes 17-S)	007202F	007200F	007341F
	Heat Transfer Assy. Copper (Includes 17-S)	008738F	008739F	008740F
2-H	Inlet/Outlet Header Bronze	007203F	007203F	007342F
3-H	Return Header Bronze	007204F	007204F	007204F
4-H	Tube Bundle Cupro-Nickel (Use 1-H)	N/A	N/A	N/A
	Tube Bundle Copper (Use 1-H)	N/A	N/A	N/A
5-H	Flue Baffle	N/A	N/A	N/A
6-H	Heat Shield Baffle (2 pcs)	N/A	N/A	N/A
7-H	Studbolt HX 500-1000	006945F	006945F	006945F
8-H	Header Gasket (20 PCS)	007343F	007343F	007343F
9-H	Well-Bulb Sensor 1/2"x 3-5/16"	007211F	007211F	007211F
10-H	Drain Valve (Not Shown)	006536F	006536F	006536F
M	MISCELLANEOUS COMPONENTS			
1-M	Flow Switch Paddle	004079F	004079F	004079F
2-M	In Line Fuse Holder (Not Shown)	007216F	007216F	007216F
7-M	Fuse 15 AMP (Not Shown)	007936F	007936F	007936F
3-M	Guide PC Card	007143F	007143F	007143F
4-M	Window Combustion Chamber	006947F	006947F	006947F
5-M	T & P Gauge 0-75 PSI Remote Mount	N/A	N/A	N/A
	T & P Gauge 0-200 PSI Remote Mount	N/A	N/A	N/A
	T & P Gauge 0-90 PSI	007344F	007344F	007344F
	T & P Gauge 0-200 PSI	007345F	007345F	007345F
	T & P Gauge 0-230 PSI	014221F	014221F	014221F
6-M	PRV 30 PSI	007217F	007218F	007748F
	PRV 45 PSI	007220F	007346F	007221F
	PRV 60 PSI	007222F	007222F	007222F
	PRV 75 PSI	007223F	007223F	007223F
	PRV 125 PSI	007224F	007224F	007224F
	PRV 150 PSI	007225F	007225F	007225F
8-M	RTV Sealant 2.8 oz	008924F	008924F	008924F
	RTV Sealant 10 oz	005755F	005755F	005755F
9-M	Touch Up Paint (Green)	750125	750125	750125
	Touch Up Paint (Dark Gray)	750126	750126	750126
O	OPTIONS (Not Shown)			
1-O	Amplifier-Flame Rectification C-2	007358F	007358F	007358F
2-O	Control-Burner Flame Safeguard C-2 Ignition	007359F	007359F	007359F
3-O	Detector-UV Flame C-2	007360F	007360F	007360F
4-O	Generator-Spark C-2	007361F	007361F	007361F
5-O	Panel-Control Mounting	007362F	007362F	007362F
6-O	Remote Sensor for Low Water Cut-Off	007228F	007228F	007228F
7-O	Low Water Cut Off PC Board	007157F	007157F	007157F
P	PUMPS*			
1-P	Pump -Circulating - Bronze (Soft Water)	2"	2"	2-1/2"
	Pump -Circulating - Bronze (Medium Water)	007226F	007226F	007227F
	Pump -Circulating - Bronze (Hard Water)	007226F	007347F	007348F
	Pump -Circulating - CI (Soft Water)	007349F	007350F	007351F
	Pump -Circulating- CI (Medium Water)	007232F	007232F	007233F
	Pump -Circulating- CI (Hard Water)	007232F	007353F	007354F
		007355F	007356F	007357F
R	REFRACTORY			
1-R	Blanket Return Header Refractory	007241F	007241F	007241F

* For individual pump parts see separate pump parts IPL 9300.100

CALL OUT	DESCRIPTION	500	750	1000
S	SHEETMETAL			
1-S	Jacket Top	007242F	007242F	007243F
2-S	Flue Collector Front (No opening)	007244F	007245F	007246F
3-S	Flue Collector Rear (Opening)	007249F	007250F	007251F
4-S	Support Channel	007254F	007254F	007255F
5-S	Control Box Cover	007256F	007256F	007256F
6-S	Return Header Cover	007257F	007257F	007257F
7-S	Door (Lower)	007258F	007259F	007260F
8-S	Jacket Upper Front Panel	007263F	007263F	007264F
9-S	Access Panel Flue (Lower)	007267F	007268F	007269F
10-S	Access Panel Flue (Upper)	007272F	007273F	007274F
11-S	Access Panel Flue (1 Pc.) (Blank-solid)	007277F	007277F	007278F
12-S	Jacket Side Right Panel	007281F	007282F	007283F
13-S	Jacket Side Right Panel Connection Option	007284F	007285F	007286F
14-S	Jacket Side Left Panel	007289F	007290F	007291F
15-S	Jacket Rear Panel	007294F	007295F	007296F
16-S	Jacket Rear Panel Connection Option	007299F	007300F	007301F
17-S	Base Assembly	007304F	007304F	007305F
18-S	Leg Bracket (4 pcs per boiler)	007306F	007306F	007306F
19-S	Base Reflector Panel	007307F	007307F	007307F
20-S	Flue Exhaust Flange Assembly	USE 3-S	006949F	006946F
21-S	Flue Exhaust Cover	USE 3-S	007311F	007312F
22-S	Control Box Assy	007145F	007145F	007145F
23-S	Bracket Pressure Switch MTG	007161F	007161F	007161F
24-S	Valve Pilot Mounting Bracket (Not shown)	007198F	007198F	007198F
25-S	Intake Air Cover Panel	007315F	007315F	007315F



Registered Quality Management System

www.raypak.com