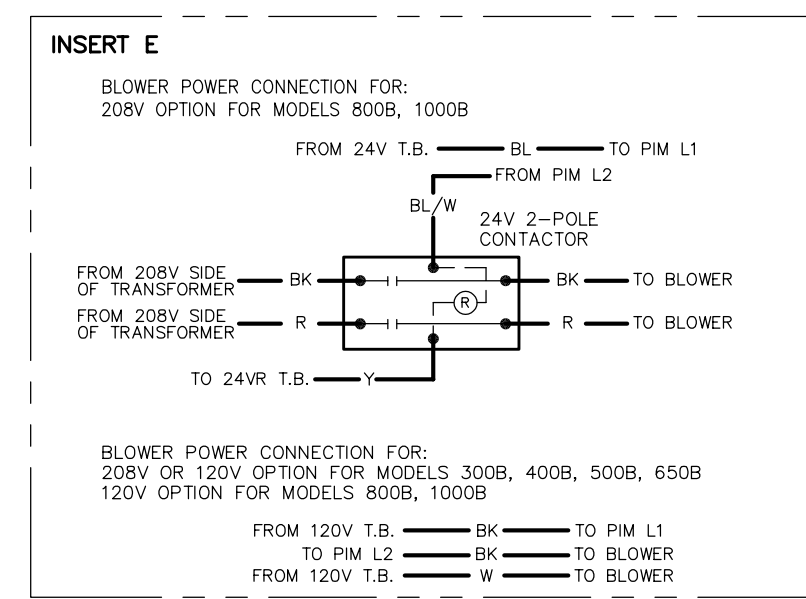
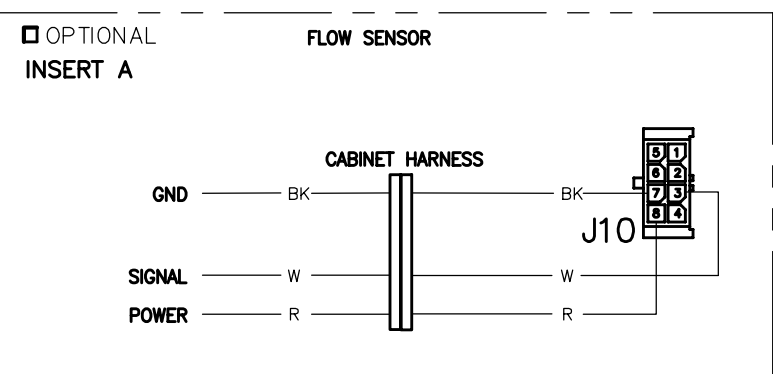
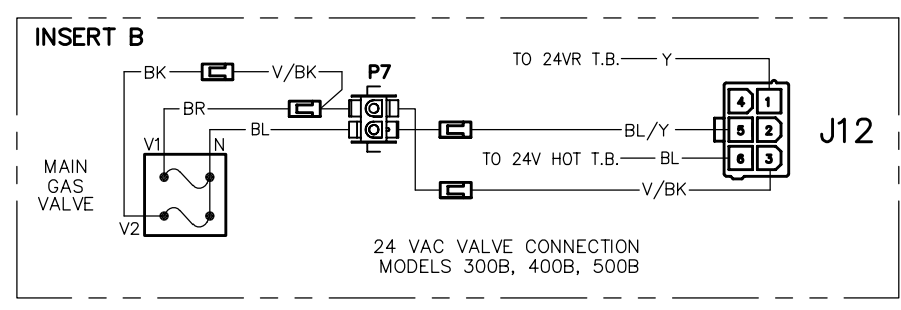
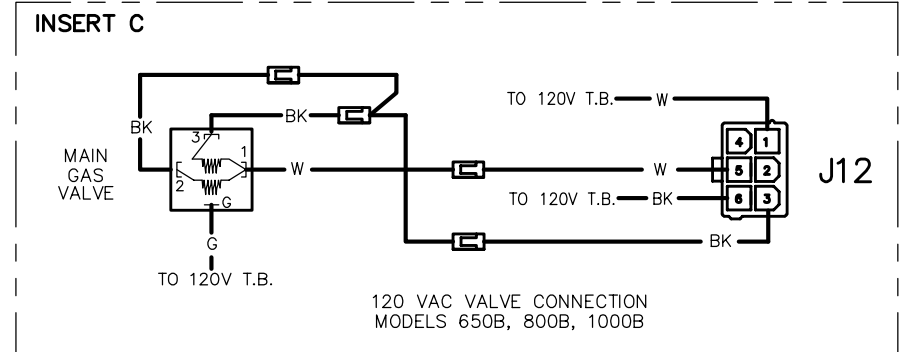
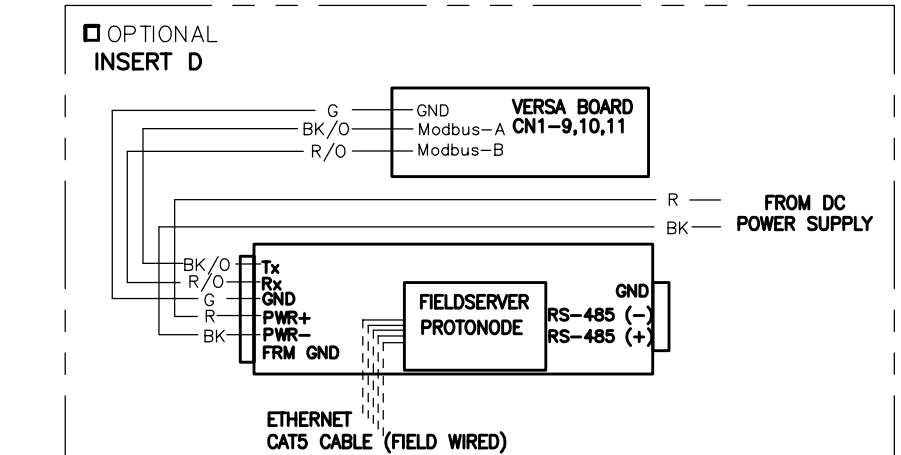
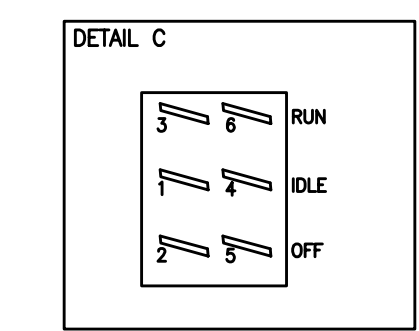
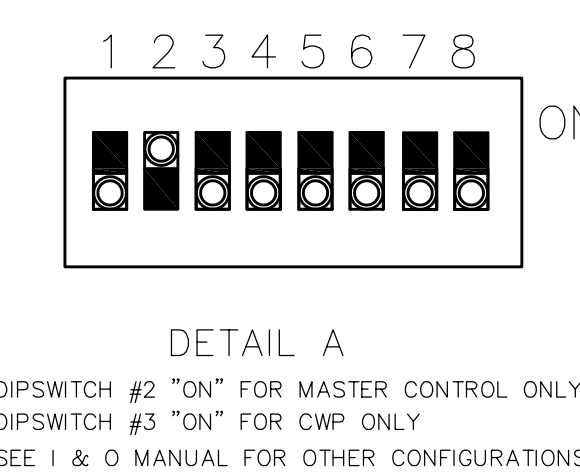
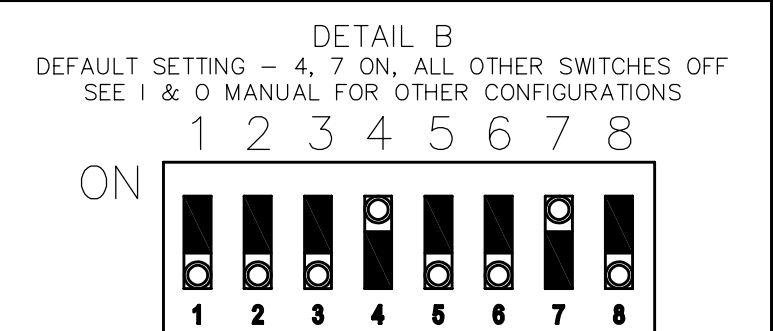
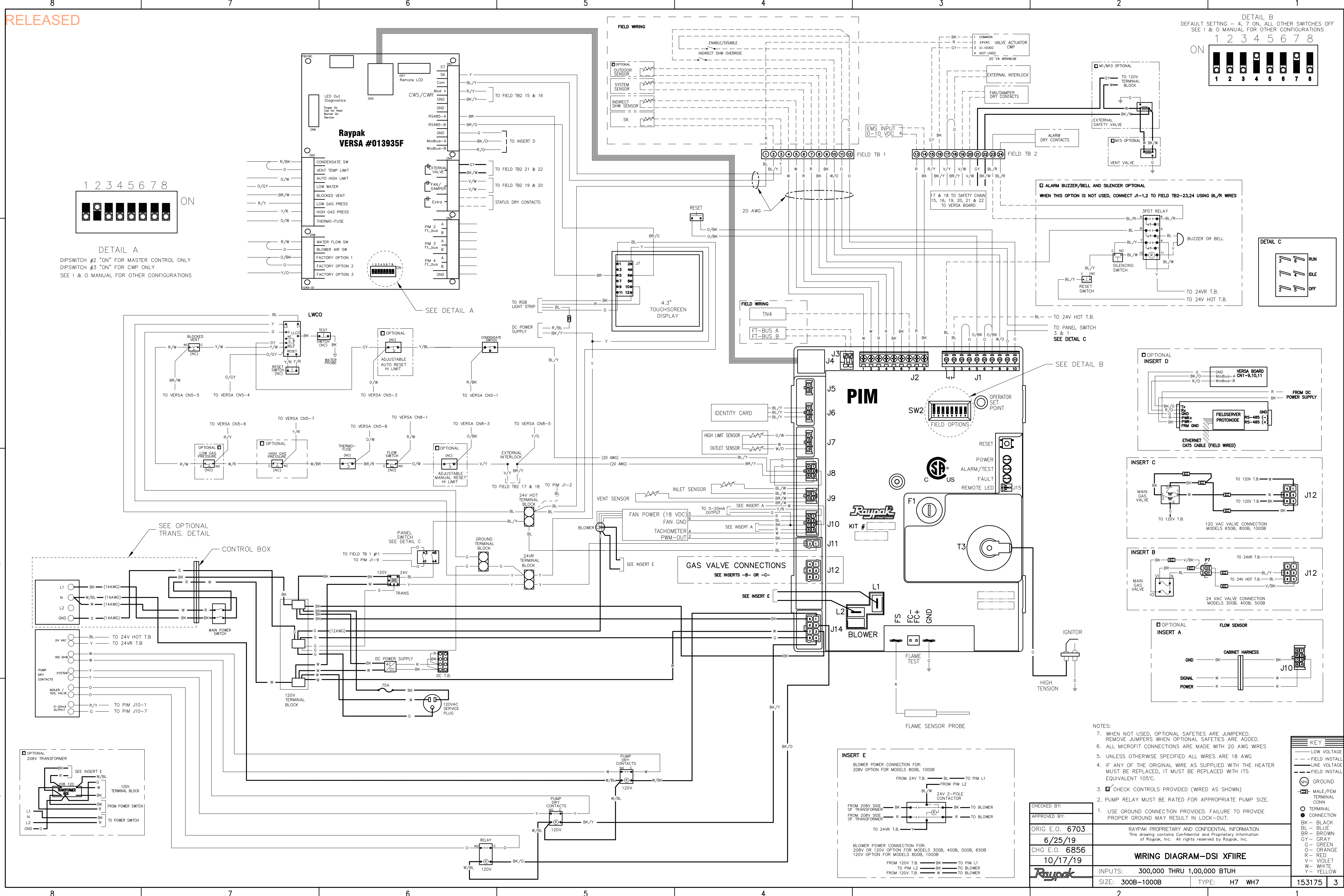


D

C

B

A



NOTES:

- WHEN NOT USED, OPTIONAL SAFETIES ARE JUMPED. REMOVE JUMPERS WHEN OPTIONAL SAFETIES ARE ADDED.
- ALL MICROFIT CONNECTIONS ARE MADE WITH 20 AWG WIRES
- UNLESS OTHERWISE SPECIFIED ALL WIRES ARE 18 AWG
- IF ANY OF THE ORIGINAL WIRE AS SUPPLIED WITH THE HEATER MUST BE REPLACED, IT MUST BE REPLACED WITH ITS EQUIVALENT 105°C.
- CHECK CONTROLS PROVIDED (WIRED AS SHOWN)
- PUMP RELAY MUST BE RATED FOR APPROPRIATE PUMP SIZE.

1. USE GROUND CONNECTION PROVIDED. FAILURE TO PROVIDE PROPER GROUND MAY RESULT IN LOCK-OUT.

KEY:

- LOW VOLTAGE
- - - FIELD INSTALL
- LINE VOLTAGE
- - - FIELD INSTALL
- GROUND
- MALE/FEM TERMINAL CONN
- TERMINAL
- CONNECTION
- BK - BLACK
- BL - BLUE
- BR - BROWN
- GY - GRAY
- G - GREEN
- O - ORANGE
- R - RED
- V - VIOLET
- W - WHITE
- Y - YELLOW

CHECKED BY:	APPROVED BY:	ORIG E.O. 6703	6/25/19	CHG E.O. 6856	10/17/19	WIRING DIAGRAM-DSI XFIRE
INPUTS: 300,000 THRU 1,00,000 BTUH			SIZE: 300B-1000B		TYPE: H7 WH7	
153175			3			