

COMMERCIAL
MODELS: 399B THROUGH 899B

CATALOG NO. 9300.801
Effective: 01-01-19
Replaces: 08-01-17

RAYPAK REPLACEMENT PARTS

MODEL SIZES: 399B, 499B, 649B, 749B & 899B

MODEL TYPES: DELTA LIMITED H & WH

DATES OF MANUFACTURE: 10-01-07 THROUGH CURRENT, MODELS 499B-899B
01-01-08 THROUGH CURRENT, MODEL 399B

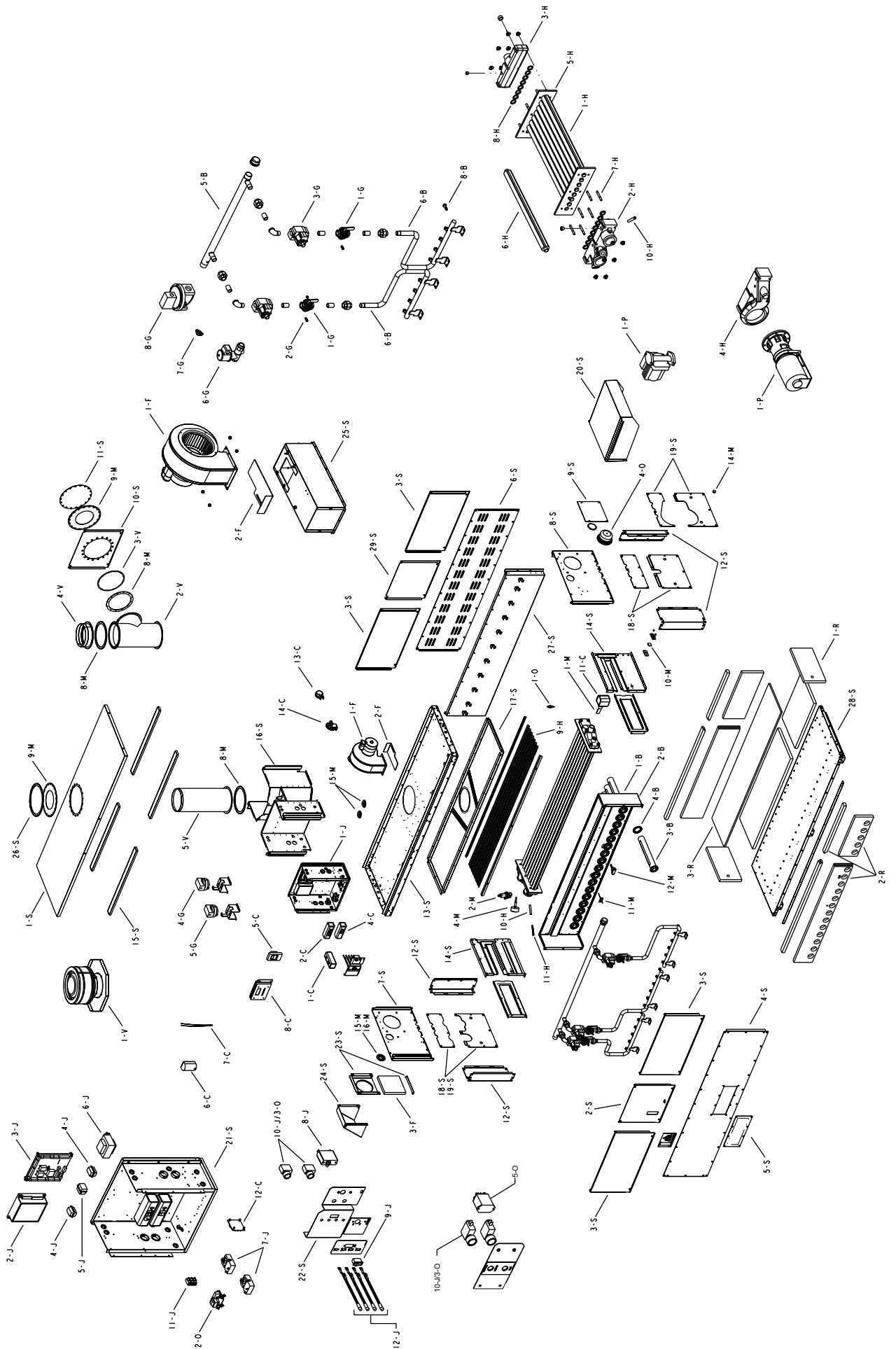
THE PARTS LISTED ARE FOR STANDARD EQUIPMENT FOR THIS MODEL TYPE. RAYPAK RESERVES THE RIGHT TO SUBSTITUTE, DELETE OR CHANGE ANY PART WITHOUT NOTIFICATION. THE ADDITION OF OPTIONS MAY ALSO CHANGE SOME OF THE PARTS. ORDER REPLACEMENT PARTS FROM ACTUAL HEATER COMPONENTS.

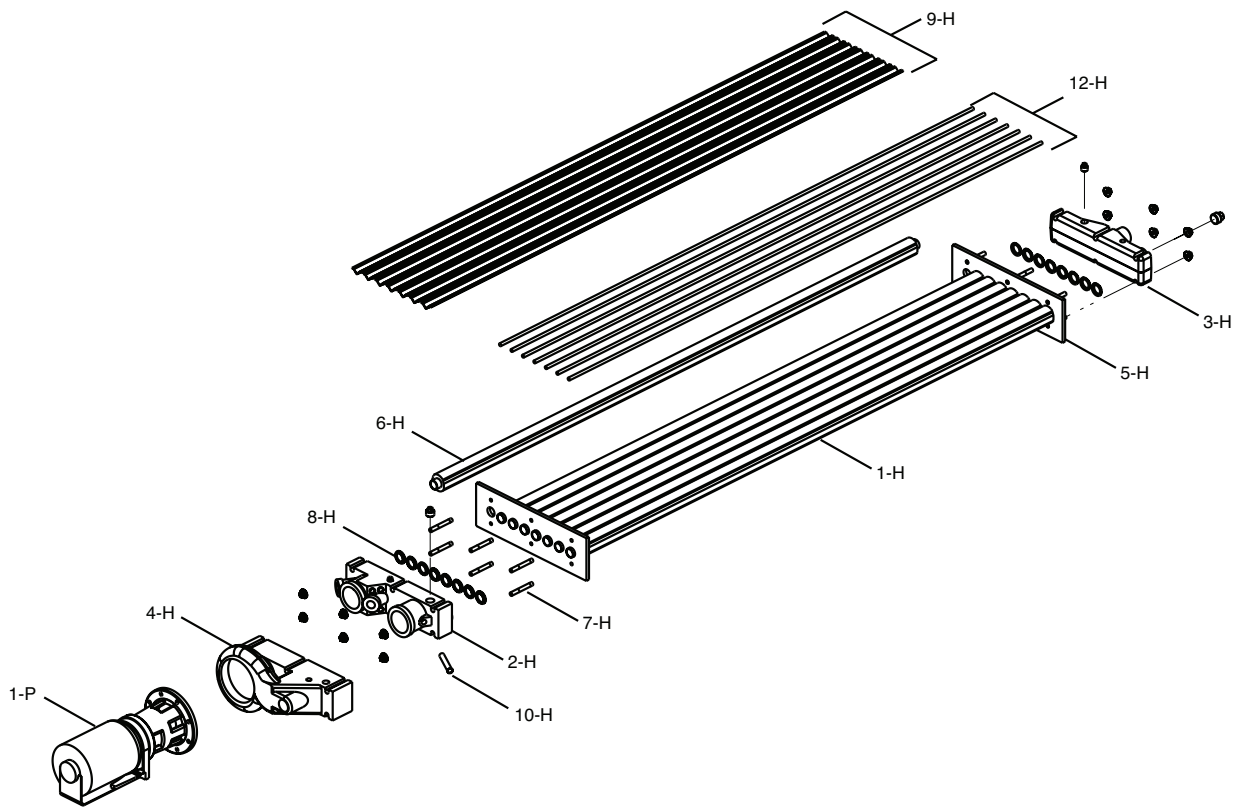


FOR DETAILED INSTRUCTIONS, SEE "HOW TO USE YOUR RAYPAK ILLUSTRATED PARTS LIST",
CATALOG NO. 9001.10

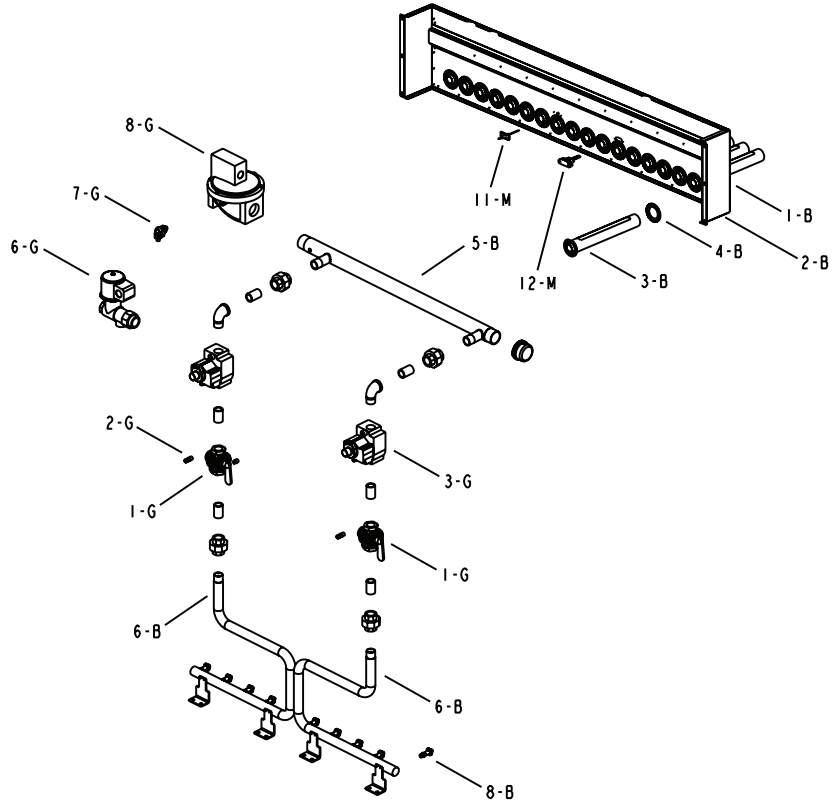


Raypak, Inc., 2151 Eastman Avenue, Oxnard, CA 93030
(805) 278-5300 Fax (800) 872-9725
Litho In U.S.A.
P/N 241324

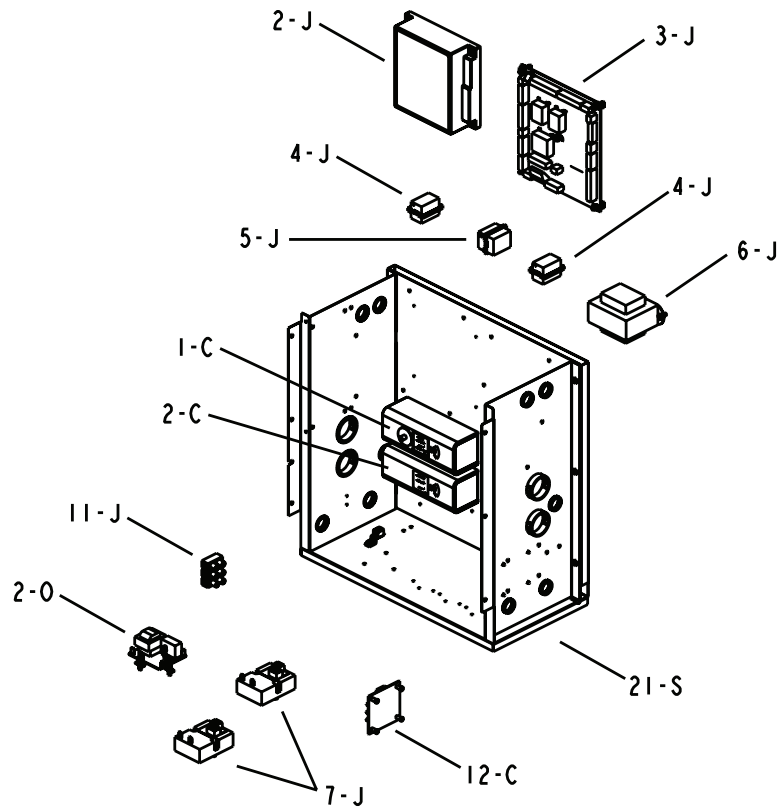




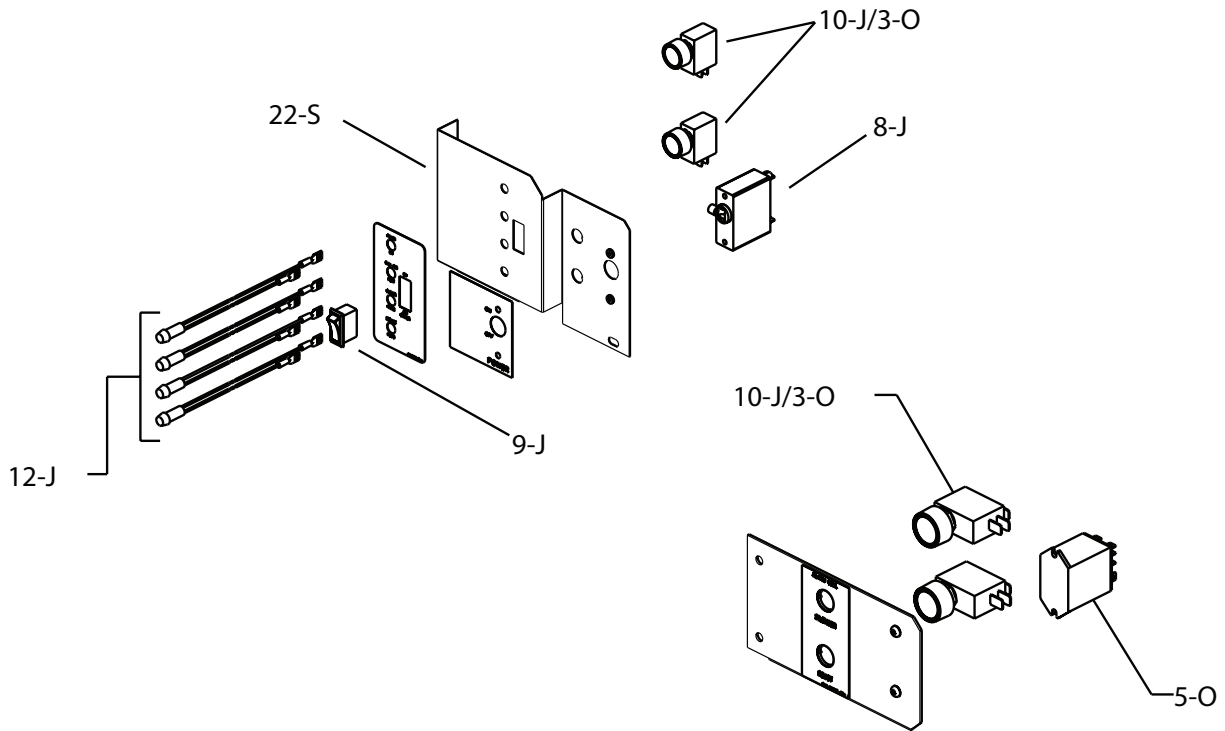
HEAT EXCHANGER DETAIL



BURNER ASSEMBLY DETAIL



CONTROL BOX DETAIL



FRONT SWITCH DETAIL

CALL OUT	DESCRIPTION	399B	499B	649B	749B	899B
B	BURNER ASSEMBLY					
1-B	Burner Assy w/Burners	009718F	009719F	009720F	009721F	009722F
2-B	Burner Mounting Assy	009724F	009725F	009726F	009727F	009728F
3-B	Burner	007442F	007442F	007442F	007442F	007442F
4-B	Seal Gasket	007443F	007443F	007443F	007443F	007443F
5-B	Manifold Upper	N/A	007444F	007444F	007444F	007445F
6-B	Manifold Lower	007447F	007448F	007449F	007450F	007451F
8-B	Burner Orifice Natural 1.9 mm	351414 / 8	351414 / 10	351414 / 13	351414 / 15	351414 / 18
	Burner Orifice Propane # 57	351442 / 8	351442 / 10	351442 / 13	351442 / 15	351442 / 18
C	CONTROLS					
1-C	Manual Reset Adjustable High Limit 240°F Max	007144F	007144F	007144F	007144F	007144F
	Manual Reset Adjustable High Limit 200°F Max	008081F	008081F	008081F	008081F	008081F
2-C	Auto Reset Adjustable High Limit 240°F Max	007141F	007141F	007141F	007141F	007141F
	Auto Reset Adjustable High Limit 180°F Max	006445F	006445F	006445F	006445F	006445F
	Auto Reset Adjustable High Limit 200°F Max	012546F	012546F	012546F	012546F	012546F
3-C	Remote Aquastat (Tankstat) (B-2)	007148F	007148F	007148F	007148F	007148F
	Remote Aquastat (Tankstat) 2-Stage (B-3)	007392F	007392F	007392F	007392F	007392F
	Remote Aquastat (Tankstat) 2-Stage (B-9)	007392F	007392F	007392F	007392F	007392F
4-C	Controller 2-Stage (B-6)	007392F	007392F	007392F	007392F	007392F
5-C	Controller On/Off (B-28) Digital Tekmar	009729F	009729F	009729F	009729F	009729F
	Controller 2-Stage (B-26 / 27) Digital Raypak	009861F	009861F	009861F	009861F	009861F
	Controller 4-Stage (B-21 / 23) Digital Raypak	009862F	009862F	009862F	009862F	009862F
6-C	Sensor Outdoor Air	010786F	010786F	010786F	010786F	010786F
7-C	Sensor Water	010787F	010787F	010787F	010787F	010787F
8-C	Controller RayTemp (B-25)	010252F	010252F	010252F	010252F	010252F
9-C	Sensor Recovery RayTemp	009506F	009506F	009506F	009506F	009506F
10-C	Sensor Tank RayTemp	010788F	010788F	010788F	010788F	010788F
11-C	Flow Switch	007142F	007142F	007142F	007142F	007142F
12-C	Pump Time Delay 5 Minutes Fixed	012342F	012342F	012342F	012342F	012342F
13-C	Switch Air Pressure (Vent)	007158F	007158F	007158F	007158F	007158F
14-C	Switch Air Pressure Differential (Blower)	008171F	008171F	008171F	008171F	008171F
F	FAN					
1-F	Blower Combustion Air	007413F	007414F	007414F	007414F	007414F
2-F	Air Shutter	009618F	009618F	009618F	009618F	009618F
3-F	Filter Media 8 x 8	009730F	009730F	009730F	009730F	009730F
G	GAS VALVES					
1-G	Valve Gas Manual A 3/4"	007421F	007421F	007421F	007421F	007421F
2-G	Bleedle Valve 1/4" CMP	007422F	007422F	007422F	007422F	007422F
	Bleedle Valve 1/8" NPT	007423F	007423F	007423F	007423F	007423F
3-G	Gas Valve Nat 3/4" Honeywell 601561	007424F	007424F	007424F	007424F	007424F
	Gas Valve Pro 3/4" Honeywell 601563	007425F	007425F	007425F	007425F	007425F
4-G	Switch Low Gas Pressure w/o Bracket (optional)	007187F	007187F	007187F	007187F	007187F
5-G	Switch High Gas Pressure w/o Bracket (optional)	007188F	007188F	007188F	007188F	007188F
6-G	Vent Valve (optional)	N/A	011913F	011913F	011913F	011913F
7-G	Valve Gas Manual B (optional)	N/A	007195F	007195F	007195F	007195F
8-G	Valve On/Off (optional)	N/A	004094F	004094F	004094F	004094F
H	HEAT EXCHANGER					
1-H	Heat Exch Assy Cast Iron	007453F	007454F	007455F	007456F	007457F
	Heat Exch Assy Brass	007459F	007460F	007461F	007462F	007463F
	Heat Exch Assy Cast Iron w/Pump Hdr	008853F	007466F	007467F	007468F	007469F
	Heat Exch Assy Brass w/Pump Hdr	007471F	007472F	007473F	007474F	007475F
	Heat Exch Assy Cast Iron Cupro Nickel	007477F	007478F	007479F	007480F	007481F
	Heat Exch Assy Brass Cupro Nickel	007483F	007484F	007485F	007486F	007487F
	Heat Exch Assy Cast Iron Cupro Nickel w/Steel Rod Baffles *	016405F	016406F	016407F	016408F	016409F
	Heat Exch Assy Brass Cupro Nickel w/Steel Rod Baffles *	016328F	016329F	016330F	016331F	016332F
	Heat Exch Assy Cast Iron w/Pump Hdr Cupro Nickel	007489F	007490F	007491F	007492F	007493F
	Heat Exch Assy Brass w/Pump Hdr Cupro Nickel	007495F	007496F	007497F	007498F	007499F
	Heat Exch Cast Iron w/Pump Hdr Cupro Nickel w/Steel Rod Baffles *	016417F	016418F	016419F	016420F	016421F
	Heat Exch Brass w/Pump Hdr Cupro Nickel w/Steel Rod Baffles *	016340F	016341F	016342F	016343F	016344F
2-H	Inlet/Outlet Header Cast Iron	007500F	007500F	007500F	007500F	007500F
	Inlet/Outlet Header Brass	007501F	007501F	007501F	007501F	007501F
3-H	Return Header Cast Iron	007502F	007502F	007502F	007502F	007502F
	Return Header Brass	007503F	007503F	007503F	007503F	007503F
4-H	Return Pump Header Cast Iron	007504F	007504F	007504F	007504F	007504F
	Return Pump Header Brass	007505F	007505F	007505F	007505F	007505F
5-H	Tube Bundle	007507F	007508F	007509F	007510F	007511F
	Tube Bundle Cupro Nickel	007513F	007514F	007515F	007516F	007517F
	Tube Bundle Cupro Nickel w/Steel Rod Baffles *	016350F	016351F	016352F	016353F	016354F
6-H	Heat Exchange Tube	007519F	007520F	007521F	007522F	007523F
	Heat Exchange Tube Cupro Nickel	007525F	007526F	007527F	007528F	007529F
7-H	Stud Bolt Kit	007536F	007536F	007536F	007536F	007536F
	Stud Bolt Kit w/Pump Header	007537F	007537F	007537F	007537F	007537F
8-H	Header Gasket	800001B	800001B	800001B	800001B	800001B
9-H	Baffle Kit "WH units w/Copper Heat Exch only"	007531F	007532F	007533F	007534F	007535F
12-H	Steel Rod Baffle Kit "WH units w/Cupro Nickel Exch only" *	016316F	016317F	016318F	016319F	016320F
10-H	Sensor Well	007211F	007211F	007211F	007211F	007211F
11-H	Well Retaining Clip	300203	300203	300203	300203	300203

* Product with steel rod baffles are for WH water heaters w/cupro Nickel Heat Exch only and manufactured from 4/1/17

CALL OUT	DESCRIPTION	399B	499B	649B	749B	899B
J CONTROL BOX						
1-J	Control Box	N/A	N/A	N/A	N/A	N/A
2-J	Ignition Control	007374F	007374F	007374F	007374F	007374F
	Ignition Control with Manual Reset	009057F	009057F	009057F	009057F	009057F
3-J	Printed Circuit Board CPW	009626F	009626F	009626F	009626F	009626F
4-J	Relay DPDT 24VAC (K1 & K2)	009688F	009688F	009688F	009688F	009688F
5-J	Relay 3PDT 120VAC (K3)	009689F	009689F	009689F	009689F	009689F
6-J	Transformer 100 VA	007494F	007494F	007494F	007494F	007494F
7-J	Time Delay Contactor	008921F	008921F	008921F	008921F	008921F
8-J	Automatic Shut Down Breaker Switch 30 AMP	007380F	007380F	007380F	007380F	007380F
9-J	On/Off Switch Rocker	006872F	006872F	006872F	006872F	006872F
10-J	Momentary Switch	005641F	005641F	005641F	005641F	005641F
11-J	Terminal Block (3 Space)	007382F	007382F	007382F	007382F	007382F
12-J	Indicator Lamp	011848F	011848F	011848F	011848F	011848F
M MISCELLANEOUS						
1-M	Flow Switch Paddle	004079F	004079F	004079F	004079F	004079F
2-M	PRV 30 PSI	007470F	007217F	007218F	007218F	007748F
	PRV 45 PSI	007220F	007220F	007346F	007221F	007221F
	PRV 60 PSI	007222F	007222F	007222F	007222F	007222F
	PRV 75 PSI	007223F	007223F	007223F	007223F	007223F
	PRV 125 PSI	007224F	007224F	007224F	007224F	007224F
	PRV 150 PSI	007225F	007225F	007225F	007225F	007225F
3-M	Delimiting Kit	052870F	052870F	052870F	052870F	052870F
4-M	T & P Gauge 0-90 PSI	007205F	007205F	007205F	007205F	007205F
	T & P Gauge 0-200 PSI	007399F	007399F	007399F	007399F	007399F
	T & P Gauge 0-230 PSI	014221F	014221F	014221F	014221F	014221F
5-M	RTV Sealant 2.8 oz	008924F	008924F	008924F	008924F	008924F
	RTV Sealant 10 oz	005755F	005755F	005755F	005755F	005755F
6-M	Sealant Tape (gray) Specify Length	800351	800351	800351	800351	800351
7-M	Fiberfrax Insulation 1" Wide	008406F	008406F	008405F	008405F	008405F
8-M	Flue Exhaust Tee Seal Gasket	009735F	009735F	009736F	009736F	009736F
9-M	Flue Exhaust Adapter Seal Gasket	009738F	009738F	009739F	009739F	009739F
10-M	Window Combustion Chamber	006947F	006947F	006947F	006947F	006947F
11-M	Flame Sensor	006535F	006535F	006535F	006535F	006535F
12-M	Igniter	007400F	007400F	007400F	007400F	007400F
13-M	Touch-up Paint					
	Green	750125	750125	750125	750125	750125
	Dark Gray	750126	750126	750126	750126	750126
	Cool Dark Gray	750256	750256	750256	750256	750256
14-M	Sight Window Plug	008474F	008474F	008474F	008474F	008474F
15-M	Gas Manifold Grommet 3/4" NPT	010778F	010778F	010778F	010778F	010778F
16-M	Gas Manifold Grommet 1-1/4" NPT	N/A	010779F	010779F	010779F	010779F
17-M	Stage Jumper Wire Harness	015895F	015895F	015895F	015895F	015895F
18-M	Gas Valve Wire Harness (Honeywell)	015896F	015896F	015896F	015896F	015896F
19-M	Power/Pump Wire Harness	015897F	015897F	015897F	015897F	015897F
20-M	Bell & Alarm Wire Harness	015901F	015901F	015901F	015901F	015901F
21-M	Gas Valve/Safety Bd 24V Wire Harness	015909F	015910F	015910F	015910F	015911F
22-M	Hi Limit Auto ADJ 180°F - 240°F Wire Harness	015918F	015918F	015918F	015918F	015918F
23-M	IGN Module/Blower Wire Harness	015920F	015920F	015920F	015920F	015920F
24-M	LWCO Wire Harness	015925F	015925F	015925F	015925F	015925F
25-M	Pump/Time Delay Wire Harness	015926F	015927F	015927F	015927F	015928F
26-M	Time Delay Wire Harness	015931F	015931F	015931F	015931F	015931F
O OPTIONS						
1-O	Remote Sensor for Low Water Cut-Off	007228F	007228F	007228F	007228F	007228F
2-O	Low Water Cut Off PC Board	007157F	007157F	007157F	007157F	007157F
3-O	Momentary Switch	005641F	005641F	005641F	005641F	005641F
4-O	Alarm Bell 3"	005642F	005642F	005642F	005642F	005642F
	Alarm Bell 4"	005643F	005643F	005643F	005643F	005643F
5-O	Relay DPDT 24V	011720F	011720F	011720F	011720F	011720F
P PUMPS*						
1-P	Inline Pumps					
	Bronze (Soft Water)	016477F	016477F	016477F	016477F	007226F
	Bronze (Medium Water)	007226F	007226F	007226F	007347F	007347F
	Bronze (Hard Water)	007347F	007347F	007347F	007349F	007349F
	CI (Soft Water)	016478F	016478F	016478F	016478F	007232F
	CI (Medium Water)	007232F	007232F	007232F	007353F	007353F
	CI (Hard Water)	007353F	007353F	007353F	007355F	007355F
	Integral Header Pump					
	4.0 Impeller	N/A	009296F	009296F	N/A	009296F
	4.25 Impeller	N/A	N/A	N/A	004844F	N/A
	4.7 Impeller	004845F	004845F	004845F	N/A	004845F
2-P	Pump Cartridge Taco 0012	016480F	016480F	016480F	016480F	N/A
3-P	Pump Flange Gasket Taco 0012 (Not Shown)	008749F	008749F	008749F	008749F	N/A
4-P	Pump Flange Gasket Taco 1600 Series (Not Shown)	008749F	008749F	008749F	013423F	013423F

* For individual pump parts see separate pump parts IPL 9300.100

CALL OUT	DESCRIPTION	399B	499B	649B	749B	899B
R	REFRACTORY					
1-R	Refractory Kit (All Panels)	007402F	007403F	007404F	007405F	007406F
2-R	Refractory Front Panels	007408F	007409F	007410F	007411F	007412F
3-R	Refractory Blanket	009864F	009865F	009866F	009867F	009868F
S	SHEETMETAL					
1-S	Jacket Top	009741F	009742F	009743F	009744F	009745F
2-S	Upfront Control Panel	012344F	012344F	012344F	012344F	012344F
3-S	Upper Control Access Jacket Panel	012356F	012357F	012358F	012359F	012360F
4-S	Lower Front Jacket Panel	009755F	009756F	009757F	009758F	009759F
5-S	Access Panel Igniter/Sensor	N/A	N/A	N/A	N/A	N/A
6-S	Lower Rear Jacket Panel	009761F	009762F	009763F	009764F	009765F
7-S	Upper Left Side Jacket Panel	009816F	009766F	009766F	009766F	009766F
8-S	Upper Right Side Jacket Panel	009817F	009767F	009767F	009767F	009767F
9-S	Air Intake Cover Panel	009768F	009768F	009768F	009768F	009768F
10-S	Rear Flue Exhaust Cover Panel	009770F	009770F	009771F	009771F	009771F
11-S	Flue Exhaust Cover Panel	009773F	009773F	009774F	009774F	009774F
12-S	Lower Corner Supports Front and Rear	009775F	009775F	009775F	009775F	009775F
13-S	Center Support Panel	010246F	010247F	010248F	010249F	010250F
14-S	Left & Right Heat Exchanger Support	010251F	010251F	010251F	010251F	010251F
15-S	Support Horizontal	009778F	009779F	009780F	009781F	009782F
16-S	Support Assy Controls and Flue Exhaust	009886F	009783F	009783F	009783F	009783F
17-S	Flue Collector Top	009785F	009786F	009787F	009788F	009789F
18-S	Access Panel	009790F	009790F	009790F	009790F	009790F
19-S	Access Panel w/Pump	009791F	009791F	009791F	009791F	009791F
20-S	Pump Cover	002671F	002671F	002671F	002671F	002671F
21-S	Control Box Sheetmetal	009792F	009792F	009792F	009792F	009792F
22-S	Switch Mtg Panel	012343F	012343F	012343F	012343F	012343F
23-S	Filter Mounting Panel	009793F	009793F	009793F	009793F	009793F
24-S	Intake Air Vent Hood	010746F	010746F	010746F	010746F	010746F
25-S	Blower Plenum	009887F	N/A	N/A	N/A	N/A
26-S	Flue Exhaust Gasket Retainer	010030F	010030F	010031F	010031F	010031F
27-S	Combustion Chamber Rear Panel	010767F	010768F	010769F	010770F	010771F
28-S	Base Assy	010755F	010756F	010757F	010758F	010759F
29-S	Rear Center Cover Panel	011858F	011858F	011858F	011858F	011858F
V	VENTING					
1-V	Outdoor Stack	014622F	014622F	014623F	014623F	014623F
2-V	Flue Exhaust Tee	009796F	009796F	009797F	009797F	009797F
3-V	Flue Exhaust Tee Cap	009799F	009799F	009800F	009800F	009800F
4-V	Flue Exhaust Adapter	009802F	009802F	009803F	009803F	009803F
5-V	Flue Exhaust Straight Pipe	011852F	011852F	011853F	011853F	011853F



Registered Quality Management System

www.raypak.com