

RAYPAK ILLUSTRATED PARTS LIST

The parts listed include all potential component options for this product line. Raypak reserves the right to substitute, delete or change any part without notification. Replacement parts must be factory authorized.

XVERS L BOILER TYPE H

MODELS 406L-856L

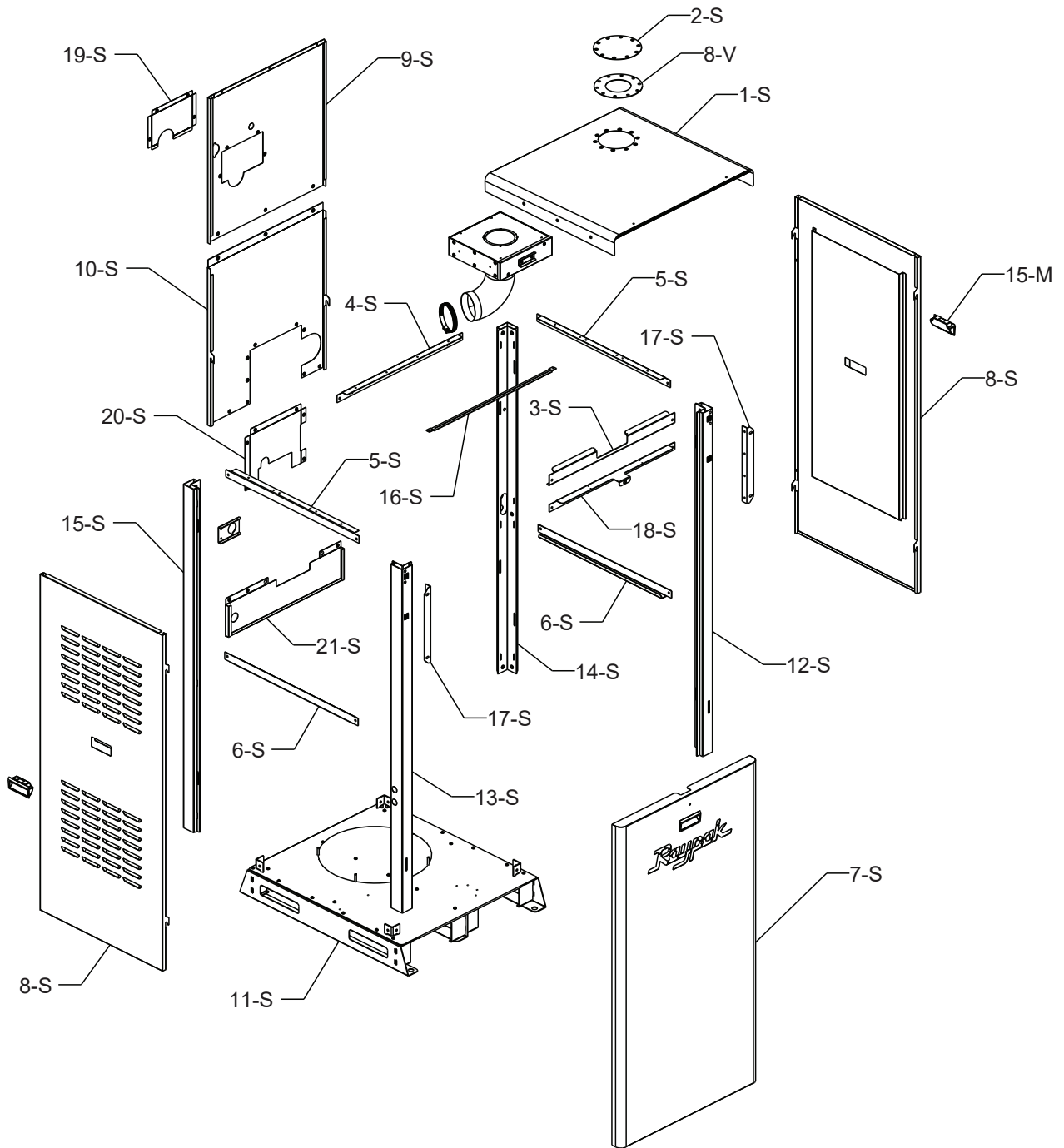
DATES OF MANUFACTURE: 09-17-19 THROUGH CURRENT

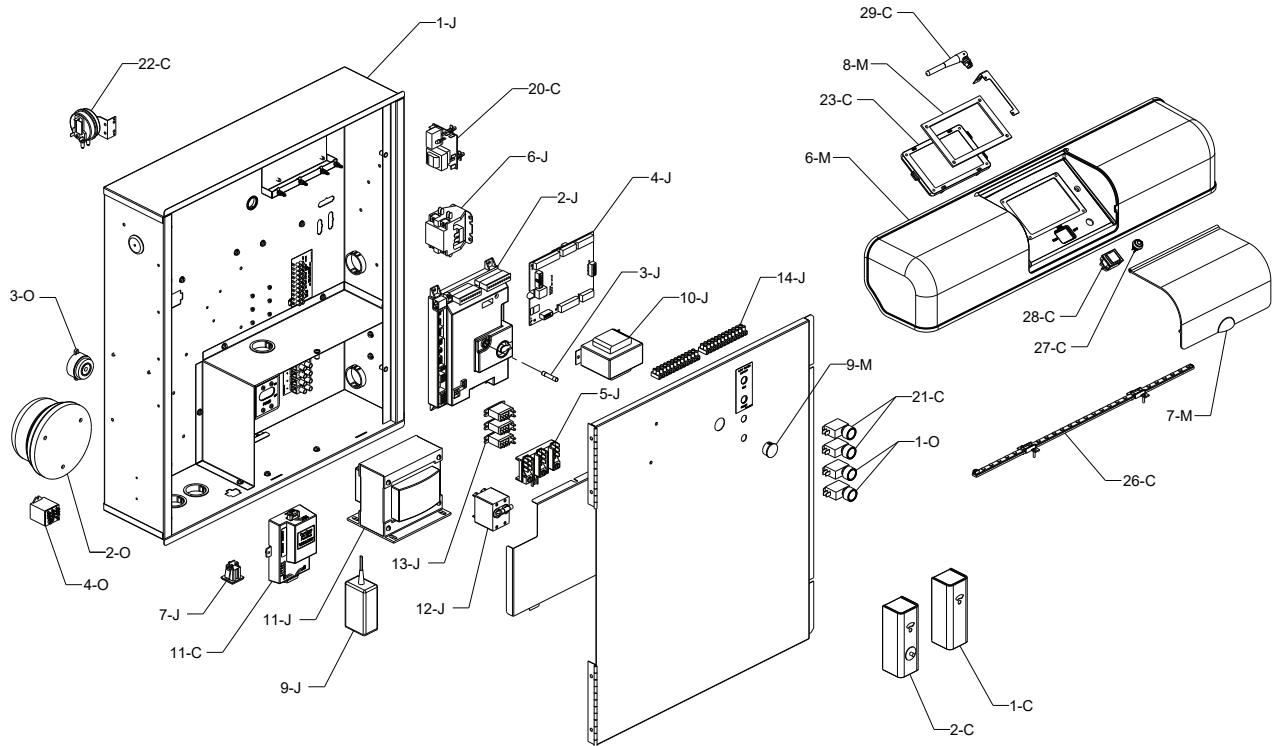
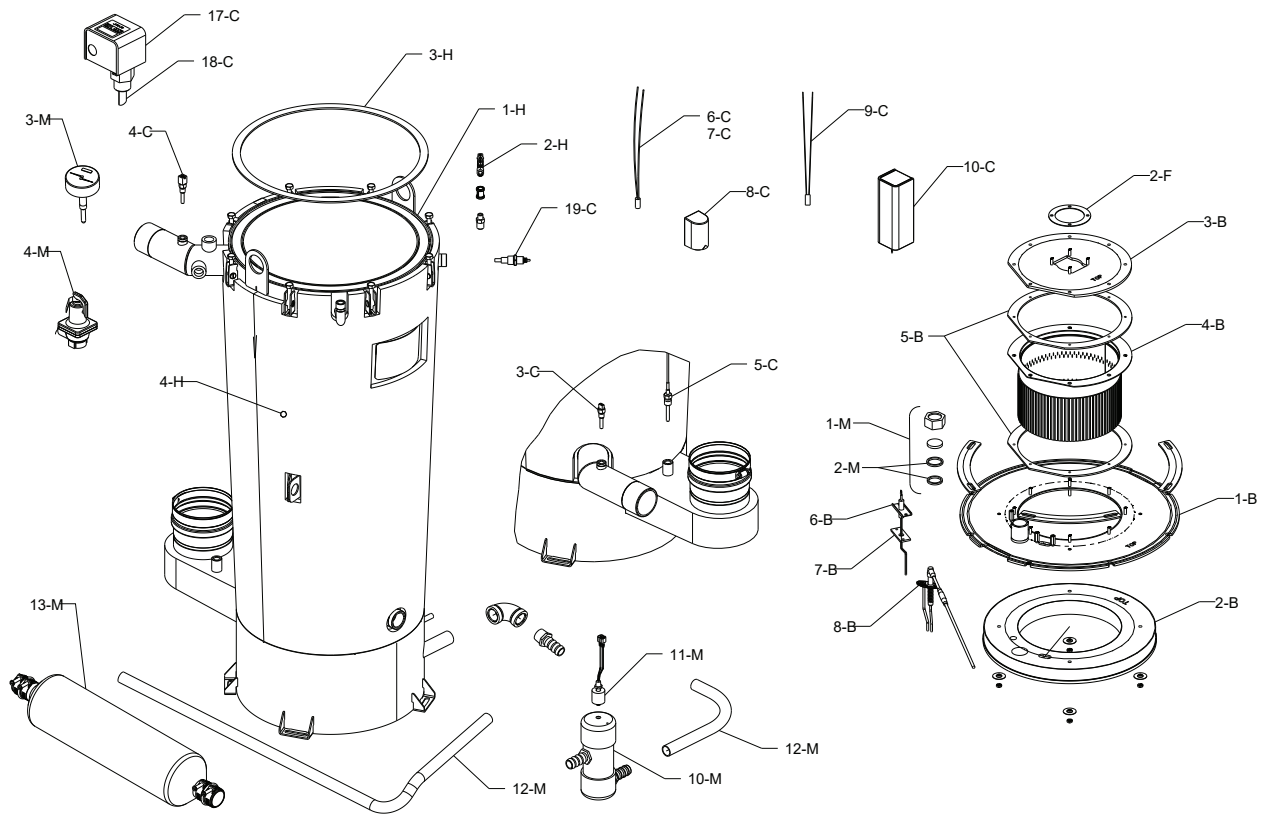


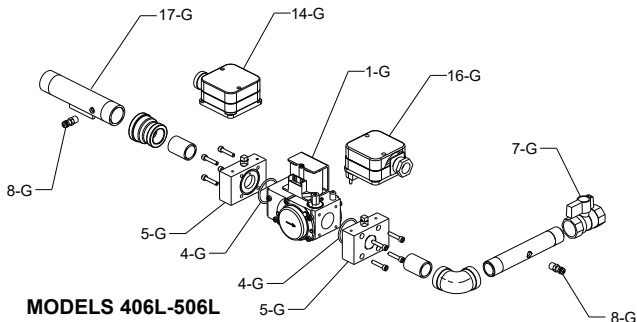
For detailed instructions, see "How to Use your Raypak Illustrated Parts List", Catalog No. 9001.10

Raypak[®]
A Rheem[®] Company

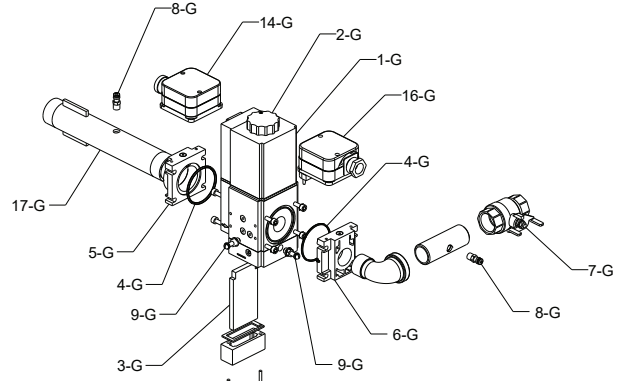
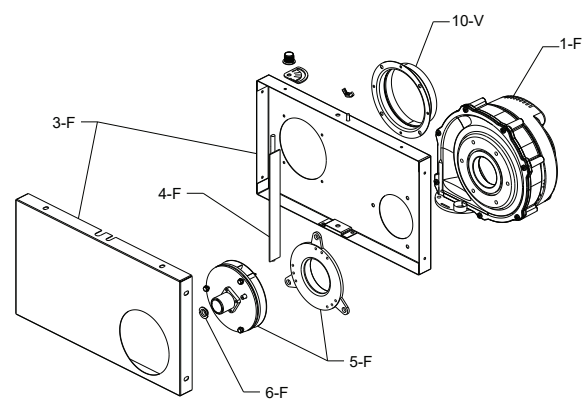
CATALOG NO. 9300.95.1
Effective: 09-01-19
Replaces: New
DWG # 241774 Rev 1



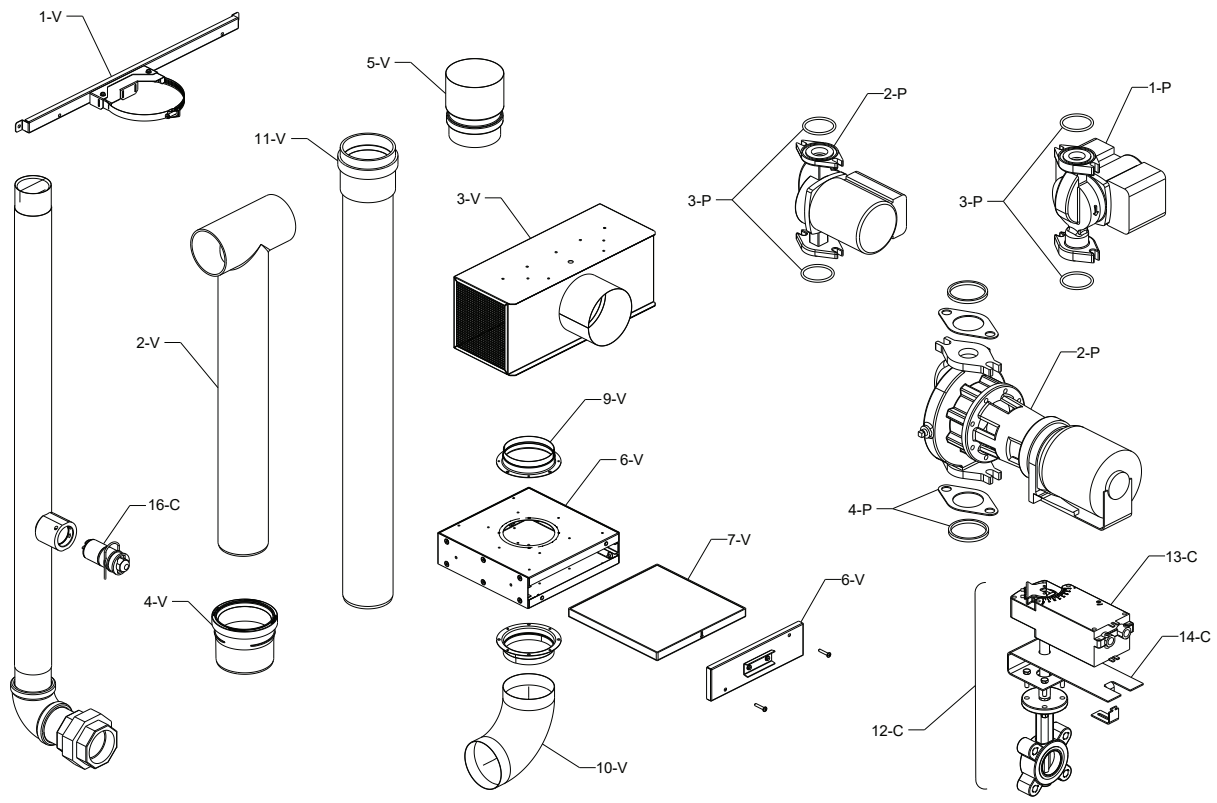
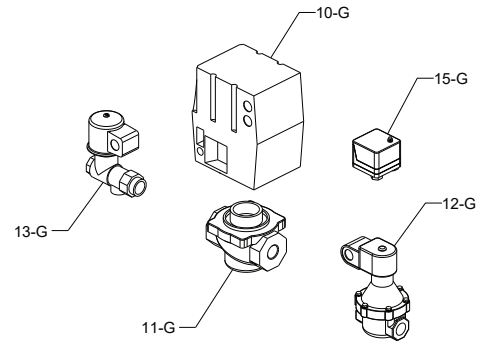




MODELS 406L-506L



MODELS 606L-856L



CALL OUT	DESCRIPTION	406L	506L	606L	726L	856L
B	BURNER ASSEMBLY					
1-B	Combustion Chamber Top	017790F	017790F	017790F	017791F	017791F
2-B	Refractory Combustion Chamber	017792F	017792F	017792F	017793F	017793F
3-B	Blower Plate (Includes 5-B)	017794F	017795F	017795F	017795F	017796F
4-B	Burner (Includes 5-B)	017797F	017797F	017797F	017798F	017798F
5-B	Burner Gaskets	017799F	017799F	017799F	017799F	017799F
6-B	Flame Sensor Probe (Includes 7-B)	017954F	017954F	017954F	017954F	017954F
7-B	Sensor Gasket	016749F	016749F	016749F	016749F	016749F
8-B	Igniter Direct Spark (Includes 40" Cable)	017800F	017800F	017800F	017800F	017800F
C	CONTROLS					
1-C	Auto Reset Adjustable High Limit 200F (Optional)	012546F	012546F	012546F	012546F	012546F
2-C	Manual Reset Adjustable High Limit 200F (Optional)	008081F	008081F	008081F	008081F	008081F
3-C	Inlet Sensor (2 Wire)	016759F	016759F	016759F	016759F	016759F
4-C	Outlet Sensor (4 Wire)	016760F	016760F	016760F	016760F	016760F
5-C	Flue Temperature Sensor 10K	016761F	016761F	016761F	016761F	016761F
6-C	System Water Sensor 10K	010787F	010787F	010787F	010787F	010787F
7-C	Indirect DHW Sensor 10K	010787F	010787F	010787F	010787F	010787F
8-C	Sensor Outdoor Air	010786F	010786F	010786F	010786F	010786F
9-C	Sensor Water (Temp Tracker) (Optional)	012187F	012187F	012187F	012187F	012187F
10-C	Indirect Tank Aquastat Control (Optional)	007148F	007148F	007148F	007148F	007148F
11-C	Gateway BACnet Interface Module (Optional)	016617F	016617F	016617F	016617F	016617F
	Gateway LonWorks Interface Module (Optional)	016618F	016618F	016618F	016618F	016618F
12-C	2-Way Motorized Stainless Steel Isolation Valve	017845F	017845F	017845F	017846F	017846F
13-C	Actuator 2-Way Valve	016763F	016763F	016763F	016763F	016763F
14-C	Mounting Bracket Kit	015551F	015551F	015551F	015551F	015551F
15-C	Gasket Stainless Steel Valve	N/A	N/A	N/A	N/A	N/A
16-C	Flow Meter (Optional)	017809F	017809F	017809F	017809F	017809F
17-C	Flow Switch (Optional)	007142F	007142F	007142F	007142F	007142F
18-C	Flow Switch Paddle (Taco)	010026F	010026F	010026F	010026F	010026F
19-C	Remote Sensor (LWCO)	007228F	007228F	007228F	007228F	007228F
20-C	Control PC Board (LWCO)	007157F	007157F	007157F	007157F	007157F
21-C	Test / Reset Switch (LWCO)	005641F	005641F	005641F	005641F	005641F
22-C	Switch Air Pressure (Blocked Vent)	011760F	011760F	011760F	011760F	011760F
23-C	Touchscreen Display (Includes 8-M)	017810F	017810F	017810F	017810F	017810F
24-C	SD Card Programmed (Not Shown)	017811F	017811F	017811F	017811F	017811F
25-C	Lithium Battery 3V (Not Shown)	015888F	015888F	015888F	015888F	015888F
26-C	Indicator strip LED	017812F	017812F	017812F	017812F	017812F
27-C	Display Reset Button	015879F	015879F	015879F	015879F	015879F
28-C	Rocker Switch (3) Position	016795F	016795F	016795F	016795F	016795F
29-C	Wifi Antenna	017198F	017198F	017198F	017198F	017198F
F	FAN / BLOWER					
1-F	Blower Combustion Air	017813F	017814F	017814F	017814F	017815F
2-F	Blower Gasket	013212F	017816F	017816F	017816F	011886F
3-F	Plenum Assembly	017817F	017818F	017819F	017820F	017820F
4-F	Air Shutter	017821F	017821F	017822F	017822F	017822F
5-F	Swirler	017971F	017972F	017870F	017871F	017871F
6-F	Nozzle 9.0mm	013944F	N/A	N/A	N/A	N/A
G	GAS TRAIN					
1-G	Gas Valve Modulating Natural Gas	013942F	013942F	016899F	016899F	016899F
	Gas Valve Modulating Propane Gas	013942F	013942F	016899F	016899F	016899F
2-G	Valve Coil 120V	N/A	N/A	013201F	013201F	013201F
3-G	Inlet Gas Filter	N/A	N/A	012294F	012294F	012294F
4-G	O-Rings (Includes Gas Valve O-Rings)	013203F	013203F	012440F	012440F	012440F
5-G	Adapter Gas Valve 3/4" Inlet (Includes O-Rings)	013204F	013204F	N/A	N/A	N/A
	Adapter Gas Valve 1-1/4" Inlet (Includes O-Rings)	N/A	N/A	011916F	011916F	011916F
6-G	Adapter Gas Valve Outlet 1" w/Shutter (Includes O-Ring)	N/A	N/A	013206F	013206F	013206F
7-G	Valve Gas Ball (WOG)	013208F	013208F	011769F	011769F	011769F
8-G	Bleedle Valve 1/8 MPT	007423F	007423F	007423F	007423F	007423F
9-G	Bleedle Valve G-1/8 BST	015400F	015400F	015400F	015400F	015400F
10-G	Motorized Safety Shut Off Actuator	011908F	011908F	011908F	011908F	011908F
11-G	Gas Valve Body M-1 (Optional)	014014F	014014F	014015F	014015F	014015F
12-G	Solenoid Safety Shut Off Valve	011909F	011909F	011910F	011910F	011910F
13-G	Vent Valve Gas M-15 (Optional)	011913F	011913F	011913F	011913F	011913F
14-G	Switch Low Gas Pressure	011770F	011770F	011770F	011770F	011770F
15-G	Switch Low Gas Pressure	007187F	007187F	007187F	007187F	007187F
16-G	Switch High Gas Pressure	011771F	011771F	011771F	011771F	011771F
17-G	Wrenching Inlet Assembly	017788F	017788F	017789F	017789F	017789F
H	HEAT EXCHANGER					
1-H	Heat Exchanger Stainless Steel	017825F	017826F	017826F	017827F	017828F
2-H	Air Vent Valve	016970F	016970F	016970F	016970F	016970F
3-H	Heat Exchanger gasket	017829F	017829F	017829F	017830F	017830F
4-H	Heat Exchanger Insulation Jacket	017849F	017849F	017849F	017850F	017850F

CALL OUT	DESCRIPTION	406L	506L	606L	726L	856L
J	CONTROL BOX					
1-J	Control Box Complete	N/A	N/A	N/A	N/A	N/A
2-J	PIM (Platform Ignition Module) Multi Try	017803F	017803F	017803F	017803F	017803F
	PIM (Platform Ignition Module) Single Try (Optional)	017804F	017804F	017804F	017804F	017804F
3-J	Fuse 5 Amp (Fast Acting)	013971F	013971F	013971F	013971F	013971F
4-J	PC Board VERSA IC	013935F	013935F	013935F	013935F	013935F
5-J	Terminal Block w/Ground Lug	008523F	008523F	008523F	008523F	008523F
6-J	Blower Contactor DPST 24 VAC	N/A	N/A	N/A	N/A	009860F
7-J	Power Receptacle	016805F	016805F	016805F	016805F	016805F
8-J	Fuse 3/4 Amp (Not Shown)	017853F	017853F	017853F	017853F	017853F
9-J	AC/DC Adapter	011719F	011719F	011719F	011719F	011719F
10-J	Transformer 115/24V 100VA	007494F	007494F	007494F	007494F	007494F
11-J	Transformer 208/120V 650VA	017891F	017891F	017891F	017891F	017891F
12-J	On/Off Circuit Breaker Switch 5.0 Amp	017833F(208V)	017833F	017833F	017833F	N/A
	On/Off Circuit Breaker Switch 7.5 Amp	017834F(120V)	N/A	N/A	N/A	017834F
13-J	Pump Relay SPDT 120 VAC	012126F	012126F	012126F	012126F	012126F
14-J	Terminal Block 12 Space	017857F	017857F	017857F	017857F	017857F
M	MISCELLANEOUS COMPONENTS					
1-M	Sight Glass Combustion Chamber	016796F	016796F	016796F	016796F	016796F
2-M	Sight Glass Seal Combustion Chamber	016797F	016797F	016797F	016797F	016797F
3-M	T & P Gauge 0-90 PSI	007205F	007205F	007205F	007205F	007205F
	T & P Gauge 0-200 PSI	007399F	007399F	007399F	007399F	007399F
4-M	PRV 30 PSI	007748F	007748F	007748F	007748F	007748F
	PRV 45 PSI	007221F	007221F	007751F	007751F	007752F
	PRV 60 PSI	007222F	007222F	007222F	007222F	008288F
	PRV 75 PSI	007223F	007223F	007756F	007756F	007756F
	PRV 150 PSI	007225F	007225F	007225F	007225F	007225F
5-M	RTV Sealant 2.8 oz. (Not Shown)	008924F	008924F	008924F	008924F	008924F
	RTV Sealant 10 oz. (Not Shown)	005755F	005755F	005755F	005755F	005755F
6-M	Control Bezel	017835F	017835F	017835F	017835F	017835F
7-M	Control Bezel Cover	017836F	017836F	017836F	017836F	017836F
8-M	Touchscreen Gasket	017837F	017837F	017837F	017837F	017837F
9-M	Sight Window Plug	008474F	008474F	008474F	008474F	008474F
10-M	Condensate Trap	015473F	015473F	015473F	015473F	015473F
11-M	Condensate Float Switch	013947F	013947F	013947F	013947F	013947F
12-M	Condensate Hose	017851F	017851F	017851F	017851F	017851F
13-M	Condensate Management	017852F	017852F	017852F	017852F	017852F
14-M	Touch-up Paint (Not Shown)					
	Cool Dark Gray	750256	750256	750256	750256	750256
15-M	Flush Mount Handle	016804F	016804F	016804F	016804F	016804F
O	OPTIONS					
1-O	Silencer/Reset Switch (Alarm/Buzzer)	005641F	005641F	005641F	005641F	005641F
2-O	Alarm Bell 4" 24V	005643F	005643F	005643F	005643F	005643F
3-O	Alarm Buzzer 24V	005640F	005640F	005640F	005640F	005640F
4-O	Relay 3PDT 24 VAC (Alarm/Buzzer)	014717F	014717F	014717F	014717F	014717F
P	PUMPS*					
1-P	Variable Speed Pump Cast Iron	016927F	016927F	016927F	016927F	018022F
	Variable Speed Pump Stainless Steel	016926F	016926F	016926F	016926F	N/A
2-P	Fixed Speed Pump Cast Iron	016478F	016478F	016478F	016478F	007233F
	Fixed Speed Pump Stainless Steel	016477F	016477F	016477F	016477F	007227F
3-P	Pump Flange Gasket	008747F	008747F	008747F	008747F	015529F
4-P	Pump Flange Gasket (2 Bolt)	N/A	N/A	N/A	N/A	013423F
S	SHEETMETAL/CABINET					
1-S	Jacket Top	017756F	017756F	017756F	017757F	017757F
2-S	Intake Air Cap	017758F	017758F	017758F	017759F	017759F
3-S	Upper Cabinet Support Front	017760F	017760F	017760F	017760F	017760F
4-S	Upper Cabinet Support Rear	017761F	017761F	017761F	017761F	017761F
5-S	Upper Cabinet Supports Left/Right	017762F	017762F	017762F	017762F	017762F
6-S	Side Cabinet Supports Left/Right	017763F	017763F	017763F	017763F	017763F
7-S	Door Assy	017764F	017764F	017764F	017764F	017764F
8-S	Jacket Side Panels Left/Right	017765F	017765F	017765F	017765F	017765F
9-S	Jacket Upper Rear Panel	017766F	017766F	017766F	017769F	017769F
10-S	Jacket Lower Rear Panel	017770F	017770F	017770F	017770F	017770F
11-S	Base Assembly	017771F	017771F	017771F	017772F	017772F
12-S	Vertical Cabinet Support Assy Right/Front	017773F	017773F	017773F	017773F	017773F
13-S	Vertical Cabinet Support Assy Left/Front	017774F	017774F	017774F	017774F	017774F
14-S	Vertical Cabinet Support Assy Right/Rear	017775F	017775F	017775F	017775F	017775F
15-S	Vertical Cabinet Support Assy Left/Rear	017776F	017776F	017776F	017776F	017776F
16-S	Filter Box Support	017779F	017779F	017779F	017779F	017779F
17-S	Control Box Mtg Bracket	017780F	017780F	017780F	017780F	017780F
18-S	Cabinet Door Support	017781F	017781F	017781F	017781F	017781F
19-S	Access Panel Outlet Water	017782F	017782F	017783F	017783F	017783F
20-S	Access Panel Inlet Water	017784F	017784F	017784F	017784F	017784F
21-S	Access Panel Lower Rear	017786F	017786F	017786F	017786F	017786F

* For individual TACO 1600 series pump parts see separate pump parts IPL 9300.100

CALL OUT	DESCRIPTION	406L	506L	606L	726L	856L
V	VENTING					
1-V	Vertical Vent Support	018026	018026	018026	018026	018026
2-V	Outdoor Stack Termination Tee (Polypropylene)	017838F	017838F	017838F	016882F	016882F
3-V	Vent Cap Horizontal Thru-the-Wall for Indoor Units	017839F	017839F	017839F	016720	016720
4-V	Flue Exhaust Adapter for Polypropylene Venting	017840F	017840F	017840F	016855F	016855F
5-V	Flue Exhaust Adapter for PVC to SS	018030	018030	018030	018031	018031
6-V	Filter Box Assembly	017777F	017777F	017777F	017778F	017778F
7-V	Air Filter Media	013290F	013290F	013290F	012553F	012553F
8-V	Intake Air Gasket	017842F	017842F	017842F	017843F	017843F
9-V	Intake Air Adapter	018120F	018120F	018121F	018121F	018121F
10-V	Intake Air Connection Duct	016864F	016864F	016864F	017844F	017844F
11-V	Straight Vent Pipe	017728	017728	017728	016893	016893
W	WIRING					
1-W	Control Box Wire Harnesses (Not Shown)	017854F	017854F	017854F	017854F	017854F
	Cabinet Wire Harnesses (Not Shown)	017855F	017855F	017855F	017855F	017855F
	Bell & Buzzer Alarm Harness (Not Shown)	017856F	017856F	017856F	017856F	017856F
	VERSA IC Communication Cable (Not Shown)	015556F	015556F	015556F	015556F	015556F
	Boiler ID Harness (Not Shown)	016715F	016715F	016715F	016715F	016715F



www.raypak.com