

**COMMERCIAL
B6000™ BOILER MANAGEMENT SYSTEM**

CATALOG NO. 9300.84
Effective: 01-01-19
Replaces: 09-30-09

RAYPAK ILLUSTRATED PARTS LIST

**MODEL SIZE: RAYTHERM
MODEL TYPE: H3, H4, H6 & W1**

DATE OF MANUFACTURE: 1990 THROUGH 2009

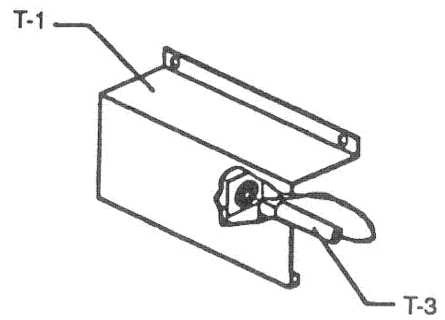
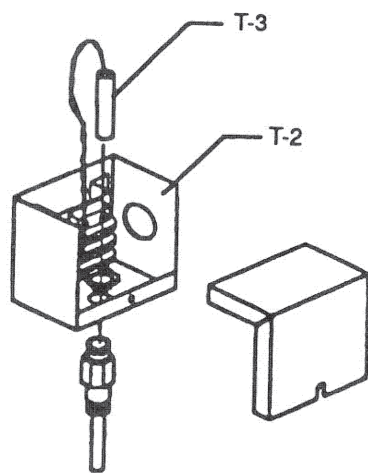
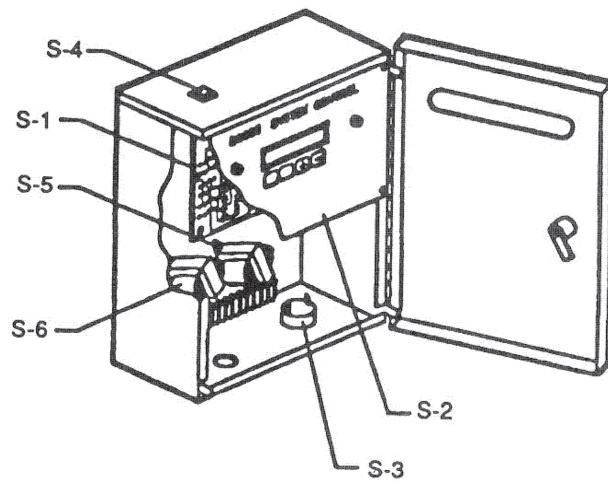
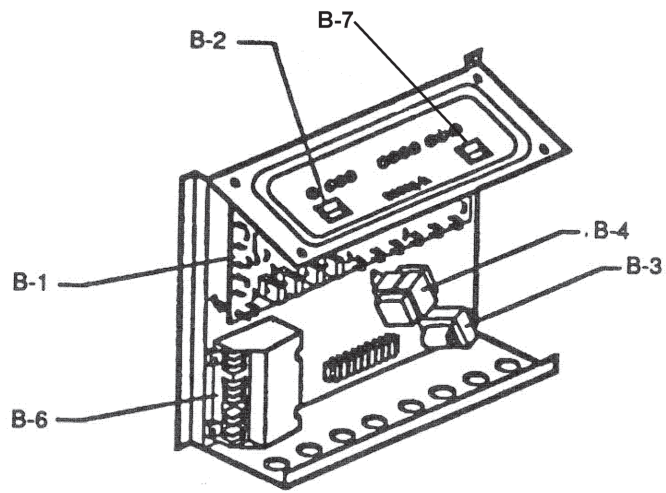
THE PARTS LISTED ARE FOR STANDARD EQUIPMENT FOR THIS MODEL TYPE. RAYPAK RESERVES THE RIGHT TO SUBSTITUTE, DELETE OR CHANGE ANY PART WITHOUT NOTIFICATION. THE ADDITION OF OPTIONS MAY ALSO CHANGE SOME OF THE PARTS. ORDER REPLACEMENT PARTS FROM ACTUAL HEATER COMPONENTS.

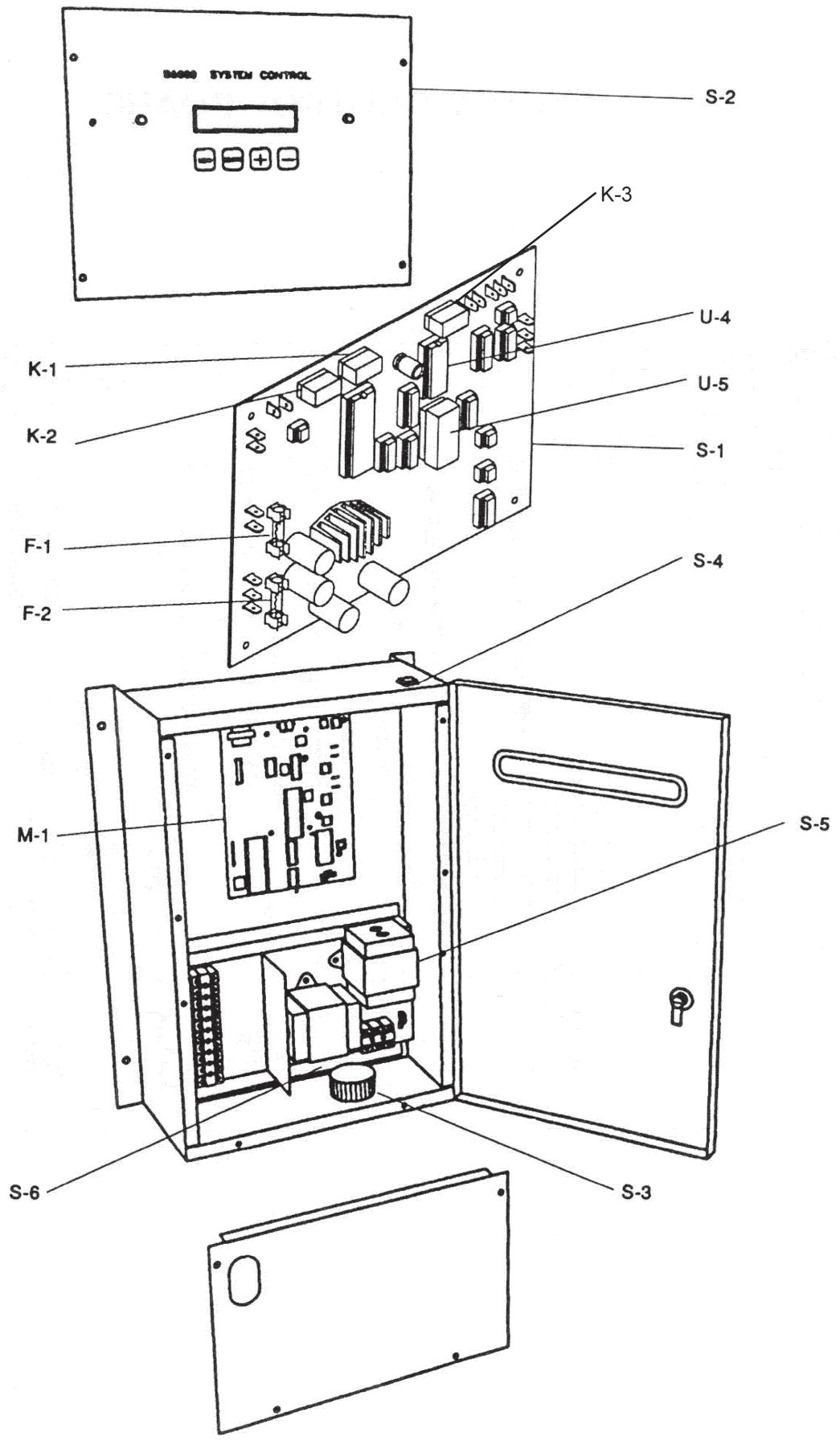


FOR DETAILED INSTRUCTIONS, SEE "HOW TO USE YOUR RAYPAK ILLUSTRATED PARTS LIST",
CATALOG NO. 9001.10



Raypak, Inc., 2151 Eastman Avenue, Oxnard, CA 93030
(805) 278-5300 Fax (800) 872-9725
Litho In U.S.A.



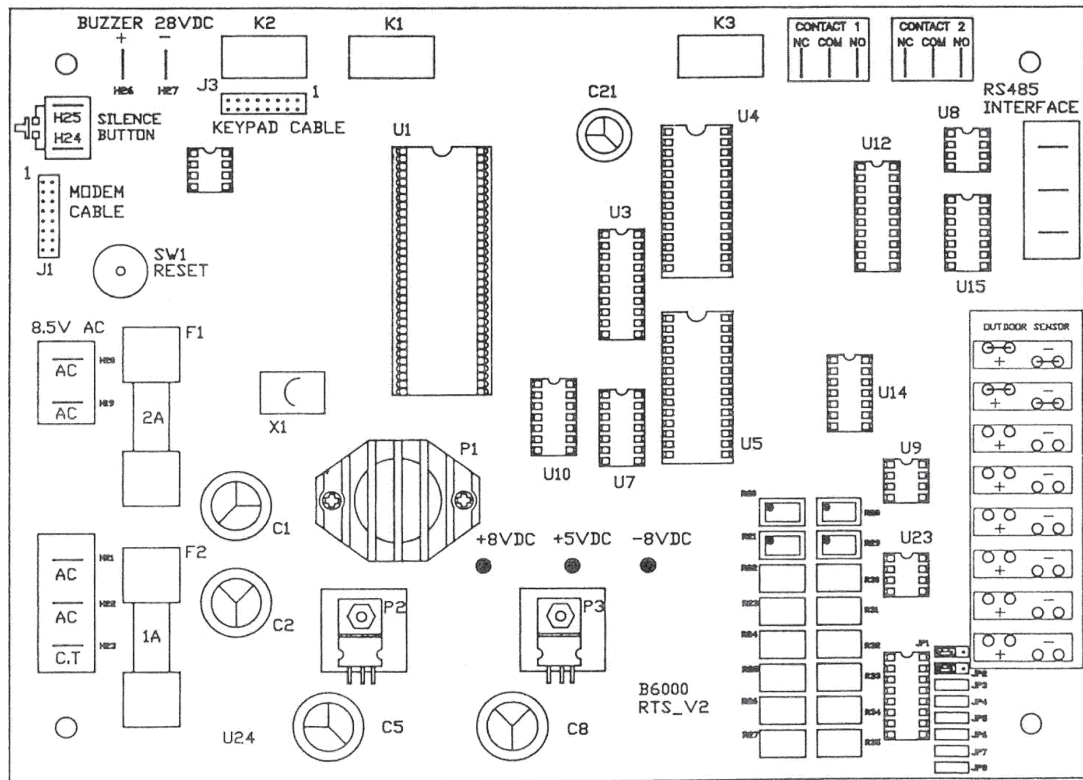


Call Out	B6000 System Control Box	Part Number
S-1*	Control PC Board w/Display	N/A
	Control PC Board w/Display, No MIN	N/A
	Control PC Board w/Display, No MIN Sensor Fault/Max Temp	N/A
	Control PC Board w/Display, Modem Chip	N/A
	Control PC Board w/Display, Modem Chip + No MIN	N/A
	Control PC Board w/Display, Night Setback (NSB)	N/A
	Control PC Board w/Display, Night Setback (NSB) Sensor Fault/Max Temp	N/A
	Control PC Board w/Display, Night Setback (NSB) + No MIN	N/A
	Control PC Board w/Display, NSB + Modem	N/A
	Control PC Board w/Display, NSB + Modem Sensor Fault/Max Temp	N/A
	Control PC Board w/Display, NSB + Modem + No MIN	N/A
	Control PC Board w/Display, NSB + Modem + No MIN Sensor Fault/Max Temp	N/A
	Control PC Board w/Display, No MIN Sensor Fault/Max Temp Delay	N/A
	Control PC Board w/Display, Night Setback (NSB) Sensor Fault/Max Temp Delay	N/A
	Control PC Board w/Display, NSB + Modem + No MIN Sensor Fault/Max Temp Delay	N/A
S-2	Display Selector Panel	004798F
S-3	Alarm Buzzer (Piezo electric horn)	005640F
S-4	Alarm Reset Switch	006048F
S-5	Transformer, 120/24/12 VAC C.T.	064922
S-6	Transformer, 120/8.5 VAC C.T.	064921
K-1, K-3	Relay, 5 VDC, DPDT	N/A
K-2	Relay, 24 VDC DPDT	005962F
F-1	Fuse, 250V, 2A	650896F
F-2	Fuse, 250V, 1A	N/A

* Includes U-4 Chip Set

Call Out	Description	Part Number
T-1	Outdoor Temperature Sensor Assy.	064140
T-2	Water Temperature Sensor Assy.	064139
T-3	Temperature Sensor	004799F
T-4	Sensor Well w/Adapter	004821F
M-1	Modem PC Board	N/A
U-9	EPROM	N/A
SS	Surge Suppression Device (125V) with Light, Screw Terminal	005098
FRT-2	FRT 93086, Field Repair Test Kit, with Disposable Grounding Wrist Strap	850267

System Control Board

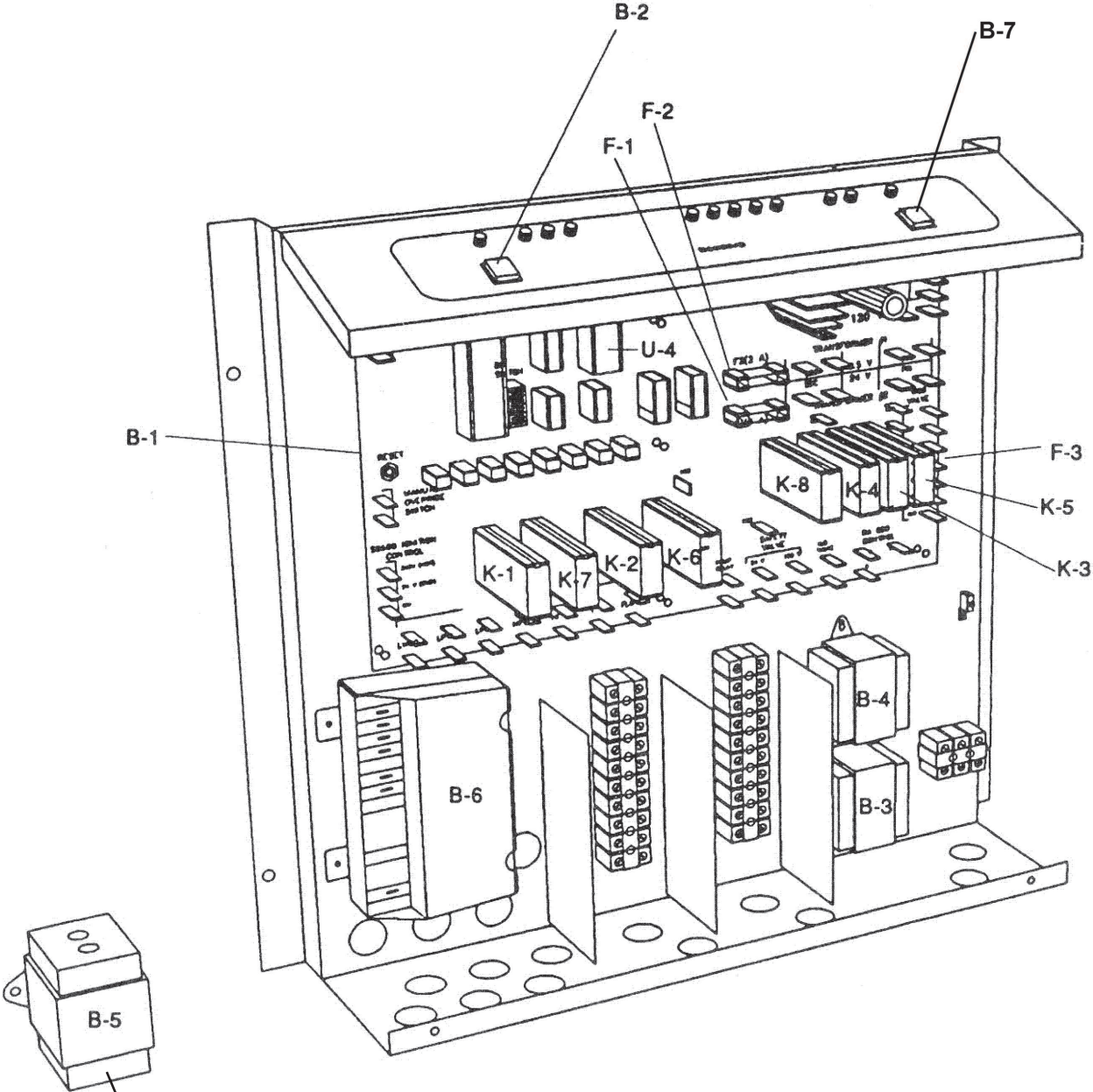


Call Out	Nomenclature	Checksum	Description	Part Number
U-4	CP8.0 ___	943E	System Cont'l Std.	N/A
	CP8.0 N __	942E	System Cont'l W/N.S.B.	N/A
	M 8	6F1D	Modem	N/A
	BV8.0	736A	Monitor	N/A
	CP8.0 _ M _	942D	System Control w/modem	N/A
	CP8.0 NM _	941D	System Control w/NSB & Modem	N/A
	CP8.0 __ n	9353	System Control Low Temp	N/A
	CP8.0 N _ n	9343	System Control W/NSB & Low Temp	N/A
	CP8.0 _ Mn	9342	System Control W/Modem & Low Temp	N/A
	CP8.0 NMn	9332	System Control W/NSB, Modem & Low Temp	N/A
	CP8.3 ___	1C9E	System Control Std/Max Temp, Sensor Fault	N/A
	CP8.3 N __	1C8E	System Control W/NSB/Max Temp, Sensor Fault	N/A
	CP8.3 NM _	1C7D	System Control W/NSB & Modem/Max Temp, Sensor Fault	N/A
	CP8.3 NMn	1BBA	System Control W/NSB, Modem & Low Temp/ Max Temp, Sensor Fault	N/A
	CP10.0 ___	90F1	System Control Std/Max Temp, Sensor Fault, Delay	N/A
	CP10.0 N __	90E1	System Control W/NSB/Max Temp, Sensor Fault, Delay	N/A
	CP10.0 NMn	900D	System Control W/NSB & Modem/Max Temp, Sensor Fault, Delay	N/A

Call Out	Description	Part Number
U-5	Chip, RAM – Static	N/A
	Chip, RAM – Socket with Timer	N/A
	Chip, RAM – with Lithium Battery	N/A

Call Out	B6000 System Boiler Monitor Control Box	Part Number
B-1	Control PC Board	004795F
B-2	Manual Override Switch	N/A
B-3	Transformer, 120/8.5 VAC C.T.	064921
B-4	Transformer, 120/24 VAC C.T.	006533F
B-5	Transformer, 120/24 VAC (C2A Units only)	006533F
B-6	Ignition Control with Lockout	004818B
B-7	Power Switch	N/A
F-1, F-2	Fuse, AGC 2, 250V, 2A	650896F
F-3	Fuse, AGC3, 250V, 3A	650523
K-1, K-2, K-3, K-4	Relay, 5 VDC, SPDT	007076F
K-7, K-8	Relay, 24 VAC, DPDT	007077F
K-6	Relay, 120 VAC, SPDT	007078F
K-5	Relay, 24 VAC, SPDT	007079F
K-1, K-2, K-3, K-4, K-5, K-6	Relay, Socket SPDT	650851F
K-7, K-8	Relay, Socket DPDT	650850F
U-4	EPROM BVx.x	N/A

Boiler Monitor Control Box



Located in place of
ignition control on
C2A boiler only.



Registered Quality Management System

www.raypak.com