

**COMMERCIAL**  
**MODELS: ADB 751 THRU 1501**

CATALOG NO. 9300.72  
Effective: 01-01-19  
Replaces: 08-18-10

# RAYPAK ILLUSTRATED PARTS LIST

**MODEL SIZES: 751, 1001, 1501**

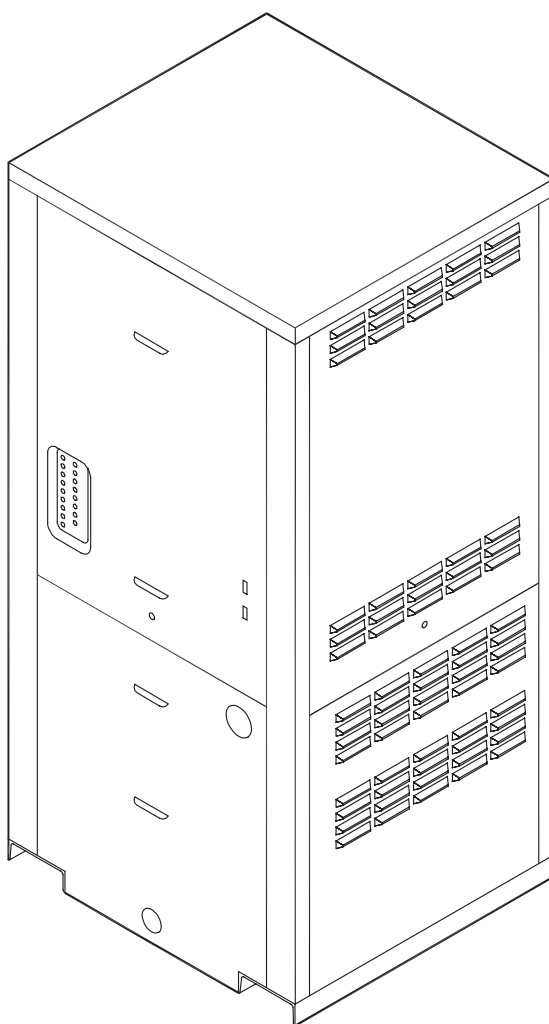
**MODEL TYPES: ADVANCED DESIGN BOILER H, WH**

DATES OF MANUFACTURE: ADB 751 05-22-03 THROUGH 12-31-08

ADB 1001 04-24-03 THROUGH 12-31-08

ADB 1501 04-03-03 THROUGH 12-31-08

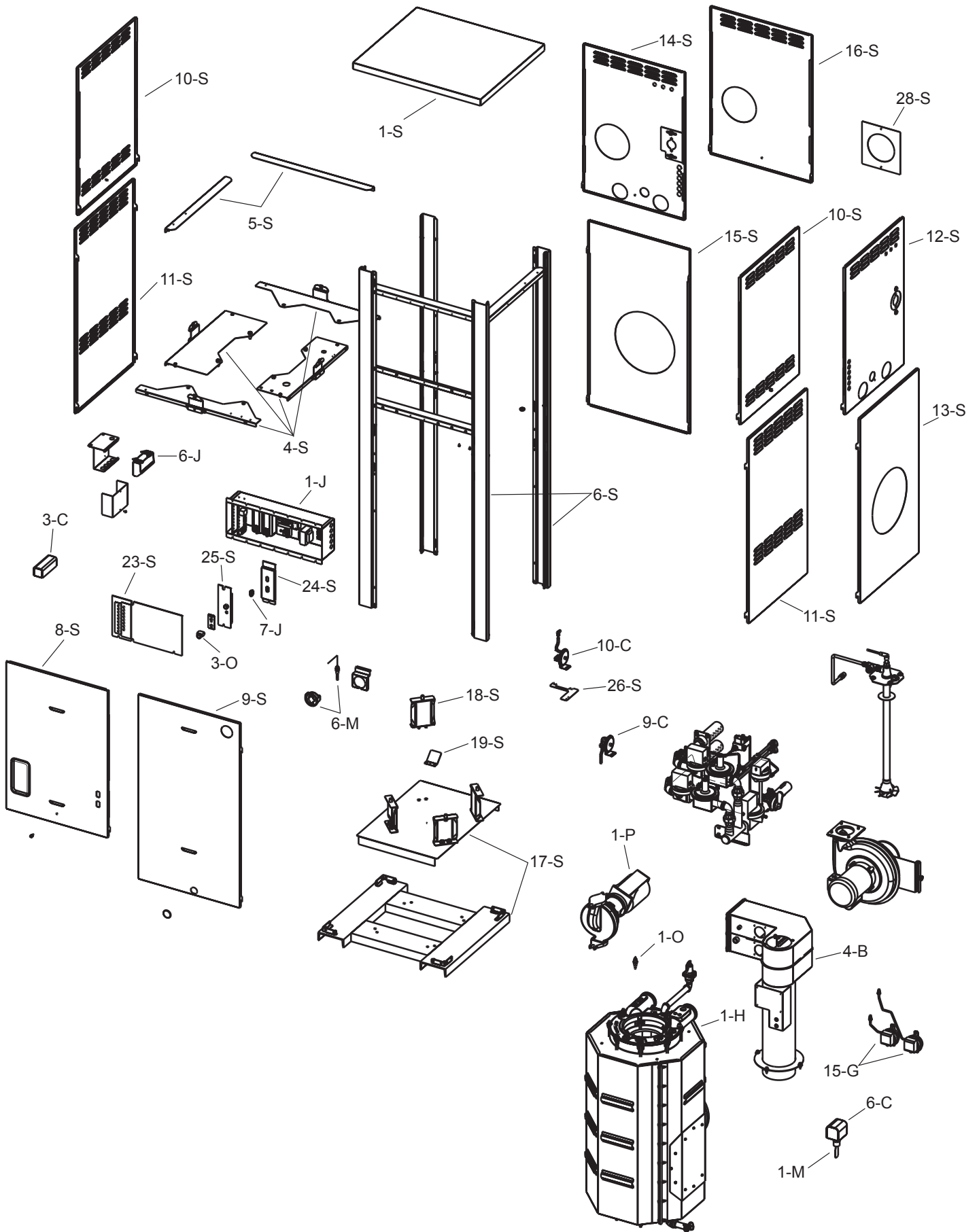
THE PARTS LISTED ARE FOR STANDARD EQUIPMENT FOR THIS MODEL TYPE. RAYPAK RESERVES THE RIGHT TO SUBSTITUTE, DELETE OR CHANGE ANY PART WITHOUT NOTIFICATION. THE ADDITION OF OPTIONS MAY ALSO CHANGE SOME OF THE PARTS. ORDER REPLACEMENT PARTS FROM ACTUAL HEATER COMPONENTS.



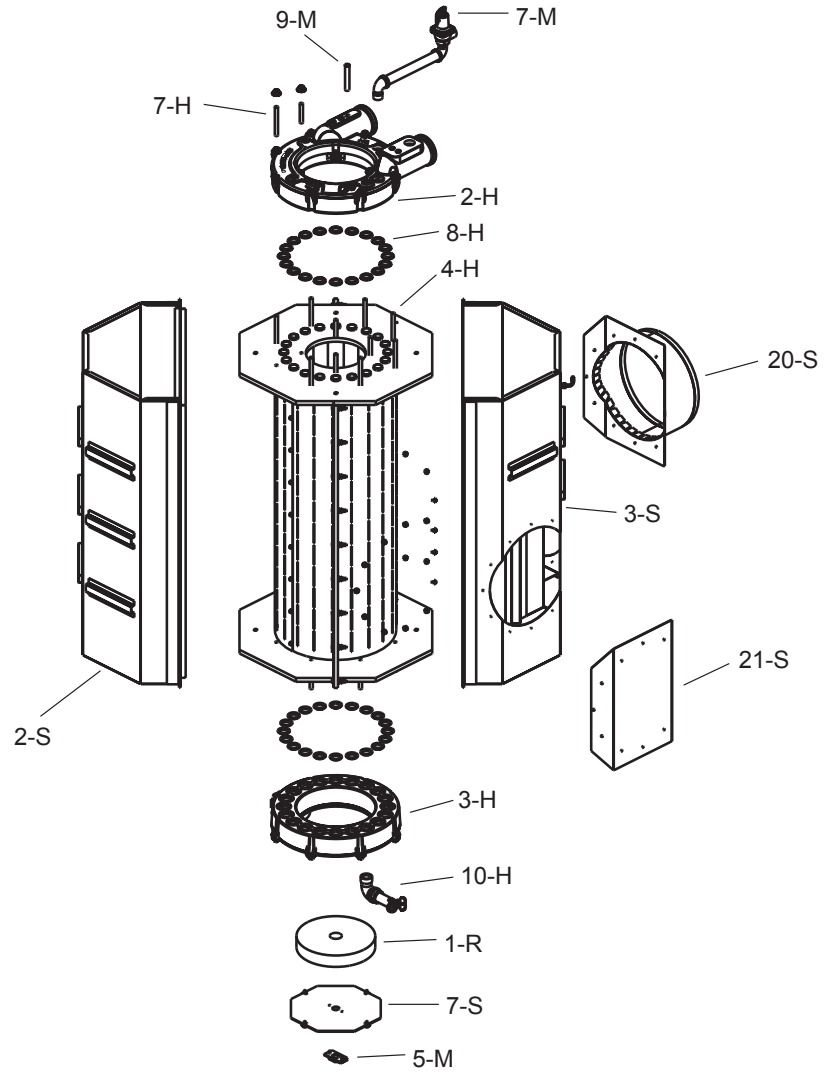
FOR DETAILED INSTRUCTIONS, SEE "HOW TO USE YOUR RAYPAK ILLUSTRATED PARTS LIST",  
CATALOG NO. 9001.10



Raypak, Inc., 2151 Eastman Avenue, Oxnard, CA 93030  
(805) 278-5300 FAX (805) 278-5489  
Litho In U.S.A.

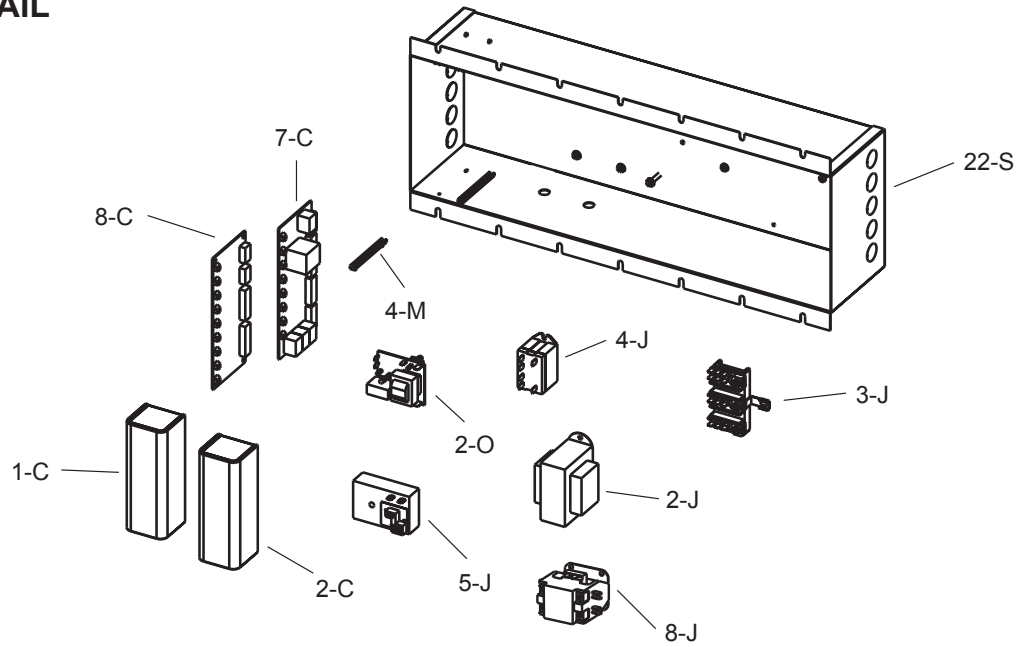


# HEAT EXCHANGER DETAIL

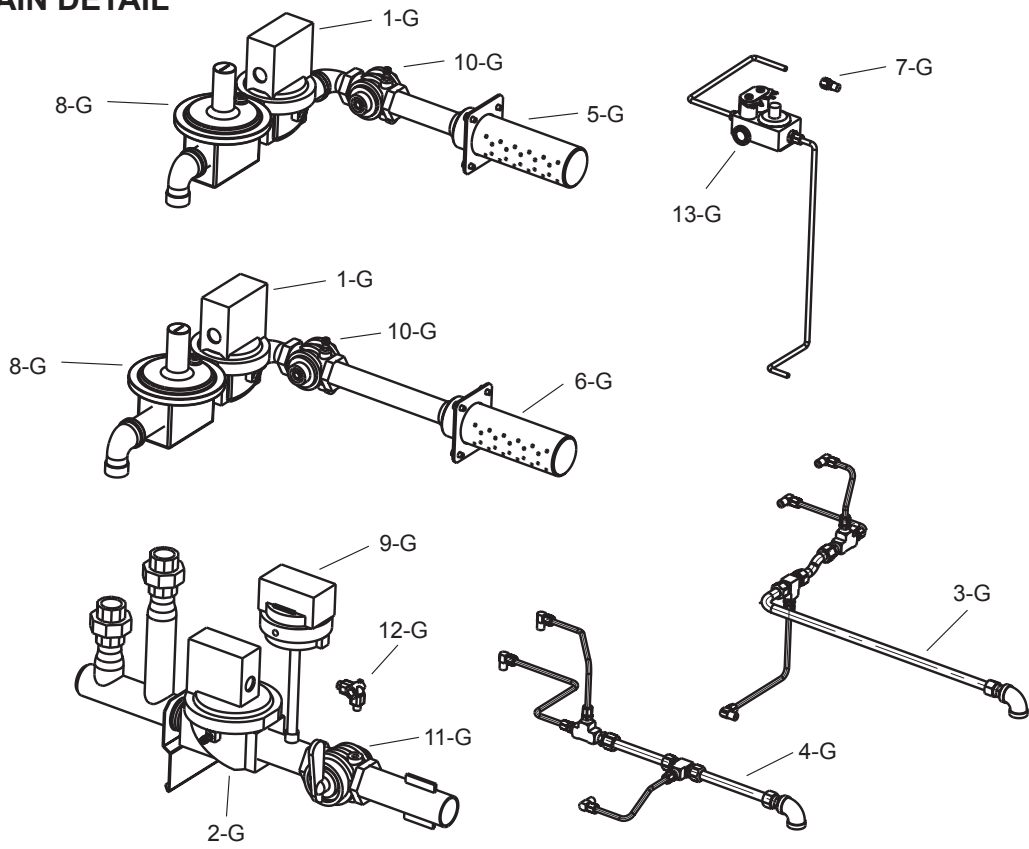


---

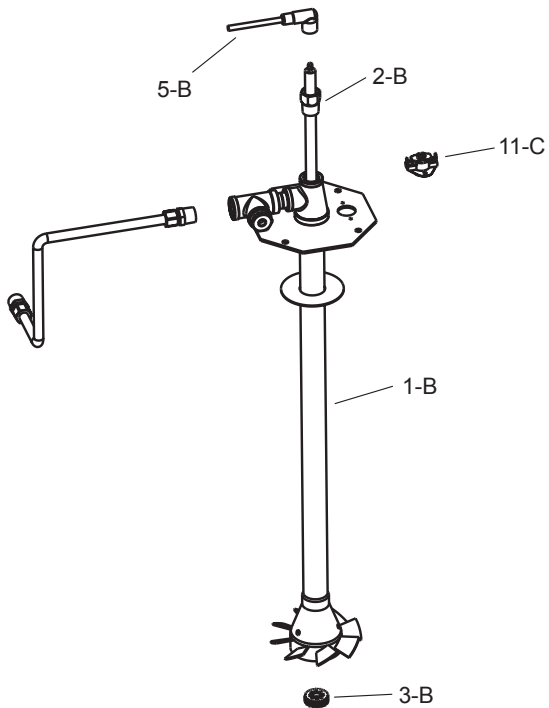
# J-BOX DETAIL



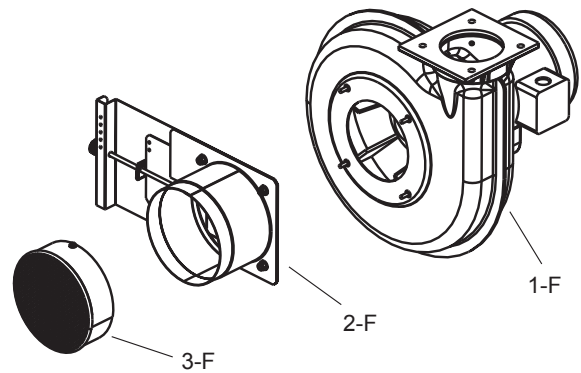
## GAS TRAIN DETAIL



## BURNER HEAD DETAIL



## BLOWER DETAIL



CALL OUT	DESCRIPTION	751	1001	1501
<b>B</b>	<b>BURNER ASSEMBLY</b>			
1-B	Burner / Pilot Assembly IID	008787F	008787F	007108F
	Burner / Pilot Assembly C-2	N/A	N/A	N/A
2-B	Ignitor-Spark Rod	007922F	007922F	007922F
3-B	Pilot Burner	007923F	007923F	007923F
4-B	Plenum Assembly Complete	008789F	008790F	007134F
5-B	High Tension Wire	009058F	009058F	009058F
<b>C</b>	<b>CONTROLS</b>			
1-C	Auto Reset High Limit 240	007141F	007141F	007141F
	Auto Reset High Limit 180	006445F	006445F	006445F
2-C	Manual Reset High Limit 240	007144F	007144F	007144F
	Manual Reset High Limit 200	008081F	008081F	008081F
3-C	Remote Aquastat (Tankstat) B-2	007148F	007148F	007148F
	Remote Aquastat (Tankstat) 2-Stage B-3	007392F	007392F	007392F
	Remote Aquastat (Tankstat) 2-Stage B-9	006760F	006760F	006760F
4-C	Controller 4-Stage B-10 Digital	006759F	006759F	006759F
	Controller 2-Stage B-11 Digital	007395F	007395F	007395F
5-C	Controller On/Off B-20	006445F	006445F	006445F
6-C	Flow Switch	007142F	007142F	007142F
7-C	Printed Circuit Board Central Point Wiring	007146F	007146F	007146F
8-C	Printed Circuit Board U2	007147F	007147F	007147F
9-C	Switch Pressure Vent Normally Closed	007158F	007158F	007158F
10-C	Switch Pressure Air Normally Open	007163F	007163F	007163F
11-C	Thermostat Manual Reset	006035F	006035F	006035F
<b>J</b>	<b>CONTROLS</b>			
1-J	Control Box Complete	009094F	009094F	009094F
2-J	Transformer 120/24 100 VA	007373F	007373F	007373F
3-J	Terminal Block w / Ground Lug	008523F	008523F	008523F
4-J	Relay DPST 24 VAC	007925F	007925F	007925F
5-J	Time Delay Contactor	008667F	008667F	008667F
6-J	Ignition Control IID	007156F	007156F	007156F
7-J	Switch-Rocker SPST 16A	006872F	006872F	006872F
8-J	Contactor Pump 120V Coil	007906F	007906F	007906F
<b>F</b>	<b>FAN</b>			
1-F	Blower Combustion Air	N/A	N/A	N/A
2-F	Air Shutter Assembly	007926F	007926F	009095F
3-F	Cap Intake Vent	007162F	007162F	007162F
<b>G</b>	<b>GAS TRAIN</b>			
1-G	Auto On/Off Valve 1" (V-88)	004093F	004093F	004093F
2-G	Auto On/Off Valve 1-1/2" (V-88)	004095F	004095F	004095F
3-G	Bleed Line Assembly	007927F	007927F	007927F
4-G	Vent Line Assembly	007928F	007928F	007928F
5-G	Manifold-Gas Injector Nat Upper	008860F	007171F	007171F
	Manifold-Gas Injector Pro Upper	007176F	007176F	N/A
6-G	Manifold-Gas Injector Nat Lower	008794F	008795F	007929F
	Manifold-Gas Injector Pro Lower	008796F	008797F	007930F
7-G	Orifice Pilot Pro	007180F	007180F	N/A
	Orifice Pilot Nat	008826F	008826F	008826F
8-G	Regulator Gas 1" Nat Top	008869F	007932F	007932F
	Regulator Gas 1" Nat Bottom	007932F	007932F	007932F
	Regulator Gas 1" Pro	003570F	003570F	N/A
9-G	Switch Low Gas Pressure	007187F	007187F	007187F
10-G	Valve Gas Manual A 1"	007189F	007189F	007189F
11-G	Valve Gas Manual A 1-1/2"	007933F	007933F	007933F
12-G	Valve Gas Manual B	007195F	007195F	007195F
13-G	Valve Pilot Gas Nat	007196F	007196F	007196F
	Valve Pilot Gas Pro	007197F	007197F	N/A
14-G	Switch High Gas Pressure (optional) Not Shown	007188F	007188F	007188F
15-G	Gas Pressure Switch	008169F	008169F	008169F

CALL OUT	DESCRIPTION	751	1001	1501
<b>H</b>	<b>HEAT EXCHANGER</b>			
1-H	Heat Exchange Assy. Cupro-Nickel (Bronze Header) (Includes 18-S)	009096F	009097F	009098F
	Heat Exchange Assy. Copper (Bronze Header) (Includes 18-S)	009099F	009100F	009101F
2-H	Inlet/Outlet Header Bronze	009102F	009103F	009103F
3-H	Return Header Bronze	007204F	007204F	007204F
4-H	Tube Bundle Cupro-Nickel (Use 1-H)	N/A	N/A	N/A
	Tube Bundle Copper (Use 1-H)	N/A	N/A	N/A
5-H	Flue Baffle	N/A	N/A	N/A
6-H	Heat Shield Baffle (2 pcs)	N/A	N/A	N/A
7-H	Studbolt	009104F	009104F	009104F
8-H	Header Gasket (20 PCS)	007343F	007343F	007343F
9-H	Well-Bulb Sensor 1/2"x 3-5/16"	007211F	007211F	007211F
10-H	Drain Valve	006536F	006536F	006536F
<b>M</b>	<b>MISCELLANEOUS COMPONENTS</b>			
1-M	Flow Swich Paddle	004079F	004079F	004079F
2-M	In Line Fuse Holder (Not Shown)	007216F	007216F	007216F
3-M	Fuse 15 amp (Not Shown)	007936F	007936F	007936F
4-M	Guide PC Card	007143F	007143F	007143F
5-M	Window Combustion Chamber	006947F	006947F	006947F
6-M	T & P Gauge 0-75 PSI Remote Mount	N/A	N/A	N/A
	T & P Gauge 0-200 PSI Remote Mount	N/A	N/A	N/A
	T & P Gauge 0-75 PSI	007344F	007344F	007344F
	T & P Gauge 0-200 PSI	007345F	007345F	007345F
7-M	PRV 30 PSI	007218F	007748F	007748F
	PRV 45 PSI	007346F	007221F	007751F
	PRV 60 PSI	007222F	007222F	007753F
	PRV 75 PSI	007223F	007223F	007156F
	PRV 125 PSI	007224F	007224F	007224F
	PRV 150 PSI	007225F	007225F	007225F
8-M	RTV Sealant 2.8 oz	008924F	008924F	008924F
	RTV Sealant 10 oz	005755F	005755F	005755F
9-M	Touch up Paint (Green)	750125	750125	750125
	Touch up Paint (Dark Gray)	750126	750126	750126
<b>O</b>	<b>OPTIONS</b>			
1-O	Remote Sensor for Low Water Cut-Off	007228F	007228F	007228F
2-O	Low Water Cut Off PC Board	007157F	007157F	007157F
3-O	Test / Reset Switch	005641F	005641F	005641F
<b>P</b>	<b>PUMPS</b>			
1-P	Pump -Circulating - Bronze (Soft Water)	007226F	007227F	007351F
	Pump -Circulating - Bronze (Medium Water)	007347F	007348F	007937F
	Pump -Circulating - Bronze (Hard Water)	007350F	007351F	007937F
	Pump -Circulating - CI (Soft Water)	007232F	007233F	007357F
	Pump -Circulating- CI (Medium Water)	007353F	007354F	007938F
	Pump -Circulating- CI (Hard Water)	007356F	007357F	007938F
<b>R</b>	<b>REFRACTORY</b>			
1-R	Blanket Return Header Refractory	007241F	007241F	007241F

CALL OUT	DESCRIPTION	751	1001	1501
<b>S</b>	<b>SHEETMETAL</b>			
1-S	Jacket Top	009106F	009106F	009106F
2-S	Flue Collector Front (No opening)	007245F	007246F	007247F
3-S	Flue Collector Rear (opening)	008802F	008803F	007252F
4-S	Heat Transfer Supports	009107F	009107F	009107F
5-S	Upper Cabinet Supports	009108F	009108F	009108F
6-S	Vertical Cabinet Supports	009109F	009110F	009111F
7-S	Return Header Cover	007257F	007257F	007257F
8-S	Jacket Upper Front Panel	009112F	009112F	009112F
9-S	Jacket Lower Front Panel	009113F	009114F	009115F
10-S	Jacket Upper Side Panel	009116F	009116F	009116F
11-S	Jacket Lower Side Panel	009117F	009118F	009119F
12-S	Jacket Upper Right Side Panel Connection Optional	009120F	009120F	009120F
13-S	Jacket Lower Right Side Panel Connection Optional	009121F	009122F	009123F
14-S	Jacket Upper Rear Panel	009124F	009124F	009124F
15-S	Jacket Lower Rear Panel	009125F	009126F	009127F
16-S	Jacket Upper Rear Panel Connection Optional	009128F	009128F	009128F
17-S	Base Assembly	009129F	009129F	009129F
18-S	Leg Bracket ( 4 pcs per boiler)	007306F	007306F	007306F
19-S	Base Reflector Panel	007307F	007307F	007307F
20-S	Flue Exhaust Flange Assembly	008816F	008817F	007308F
21-S	Flue Exhaust Cover	008818F	008819F	007313F
22-S	Control Box Assy	009130F	009130F	009130F
23-S	Control Box Cover	009131F	009131F	009131F
24-S	Power/Pump Switch Mounting Panel	009132F	009132F	009132F
25-S	Control Box Inner Panel	009105F	009105F	009105F
26-S	Bracket Pressure Switch MTG	007161F	007161F	007161F
27-S	Valve Pilot Mounting Bracket (Not shown)	007198F	007198F	007198F
28-S	Intake Air Cover Panel	007315F	007315F	007315F



[www.raypak.com](http://www.raypak.com)