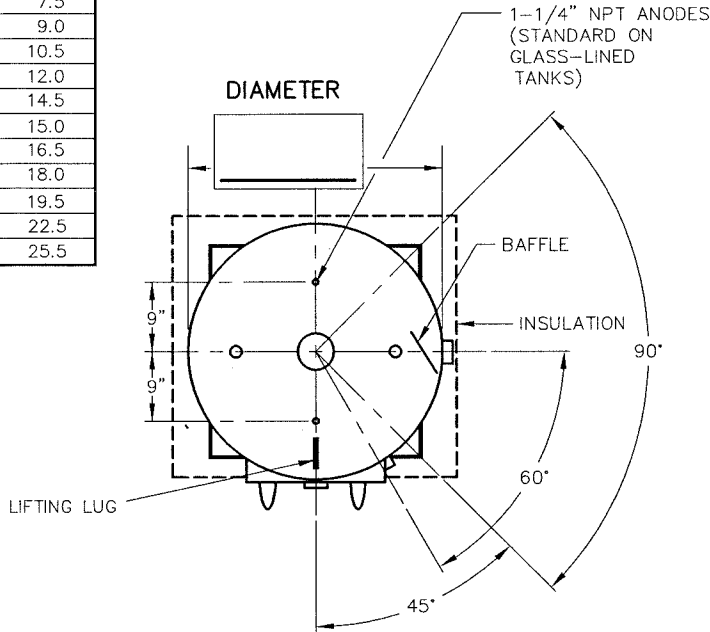


TANK DIA. IN.	"B" HEAD DEPTH
24	7.5
30	9.0
36	10.5
42	12.0
48	14.5
54	15.0
60	16.5
66	18.0
72	19.5
84	22.5
96	25.5



JOB NAME

JOB LOCATION

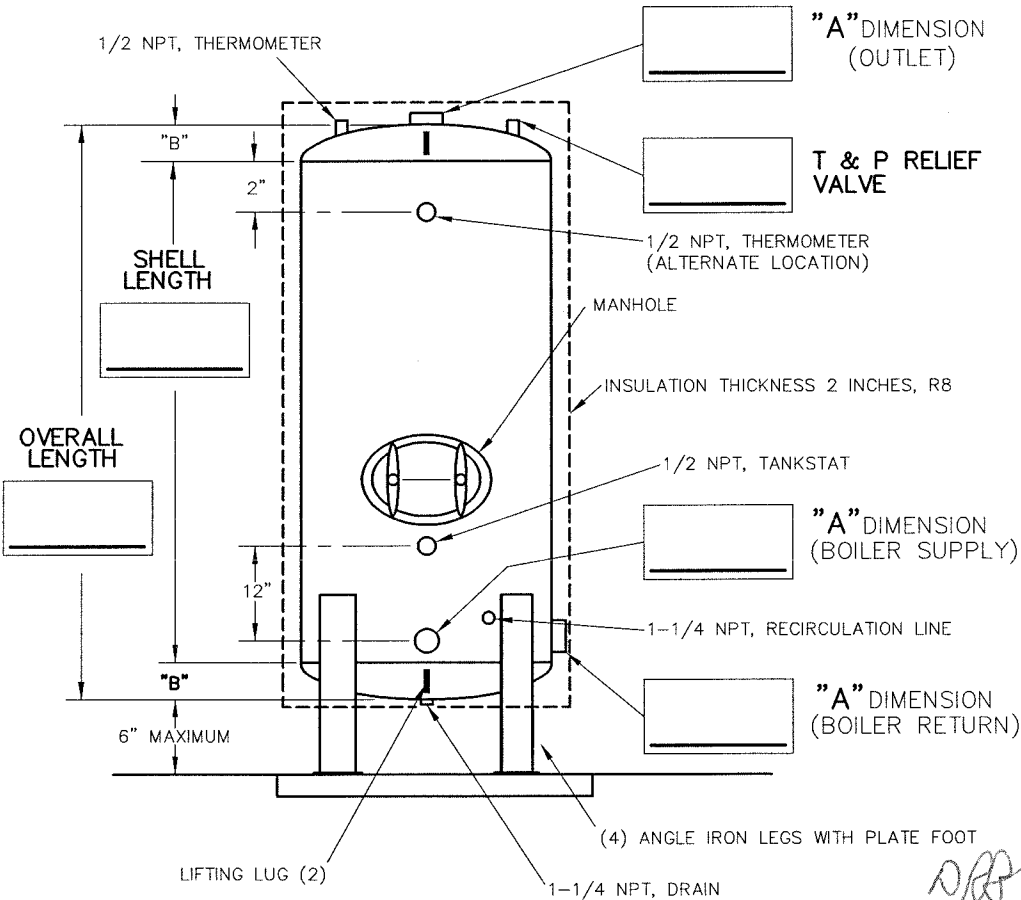
BUYER

BUYER ADDRESS

RAYPAK QUOTE NO.

DATE

SUBMITTAL PREPARED BY



TANK SPECIFICATIONS

QUANTITY:

GALLONS:

125 PSI W.P.:

150 PSI W.P.:

MANHOLE:

2" INSPECT. PLUG:

MAGNESIUM ANODES:

LINING

EPOXY:

GLASS:

CEMENT:

SPECIAL NOTES

INSULATION:

R8

R12.5

R16

NOTE: TANK OPENINGS WILL NOT PROTRUDE THROUGH JACKET EXCEPT FLANGES.

ACAD: 8345. DWG



PRODUCT LINE:

A.S.M.E. VERTICAL HOT WATER STORAGE TANK, INSULATED AND JACKETED, R8

SCALE: NONE

DATE: 5-3-15

DRAWING NO.: 8345 REV F

CATALOG NO. 4000.80F REPLACES 4000.80E