

COMMERCIAL
MODELS: 989B THROUGH 2339B

CATALOG NO. 9300.811
Effective: 01-01-19
Replaces: 08-01-17

RAYPAK REPLACEMENT PARTS

MODEL SIZES: 989B, 1259B, 1529B, 1799B, 1999B, 2069B & 2339B

MODEL TYPES: DELTA LIMITED H & WH

DATES OF MANUFACTURE: 10-01-07 THROUGH CURRENT

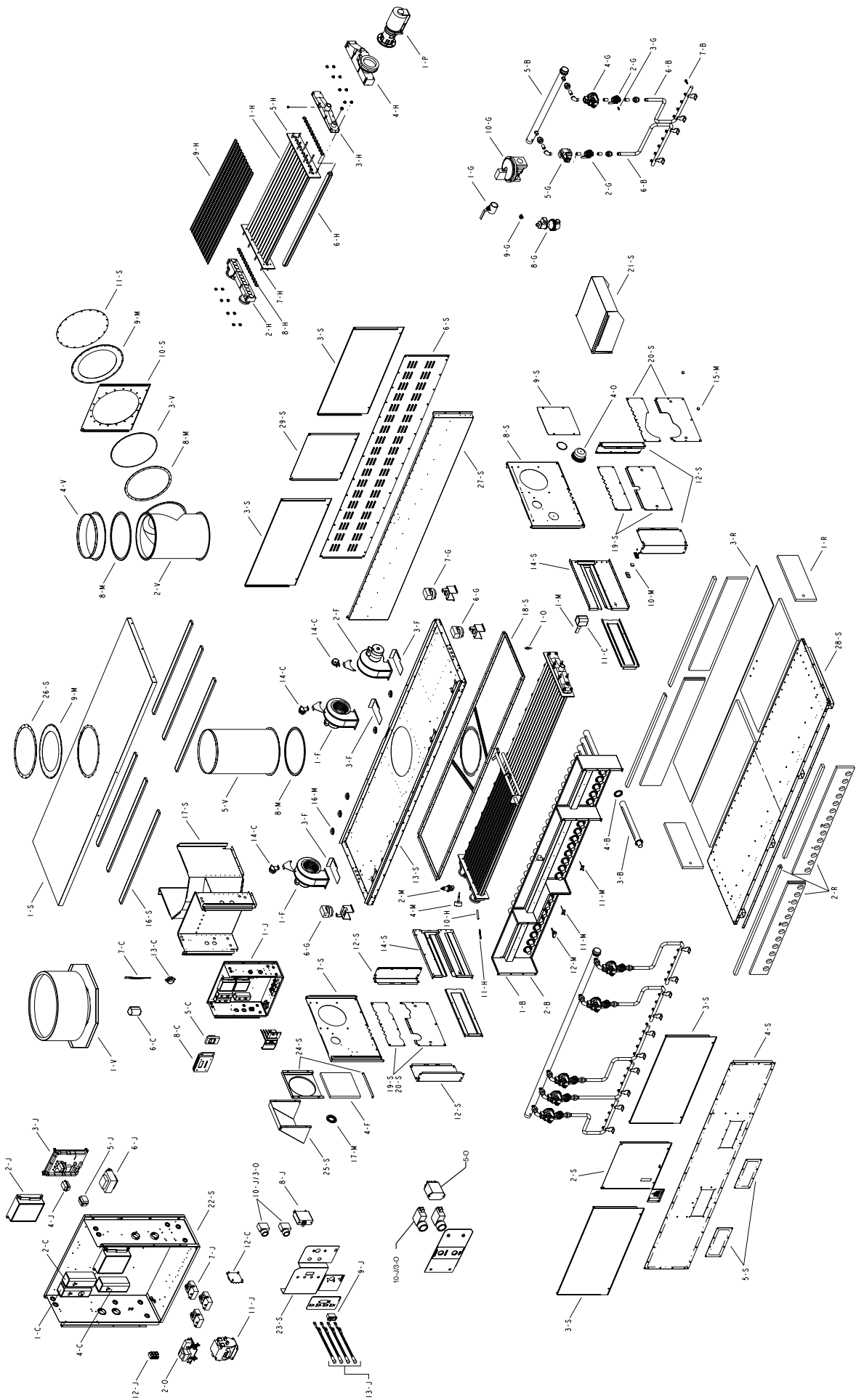
THE PARTS LISTED ARE FOR STANDARD EQUIPMENT FOR THIS MODEL TYPE. RAYPAK RESERVES THE RIGHT TO SUBSTITUTE, DELETE OR CHANGE ANY PART WITHOUT NOTIFICATION. THE ADDITION OF OPTIONS MAY ALSO CHANGE SOME OF THE PARTS. ORDER REPLACEMENT PARTS FROM ACTUAL HEATER COMPONENTS.

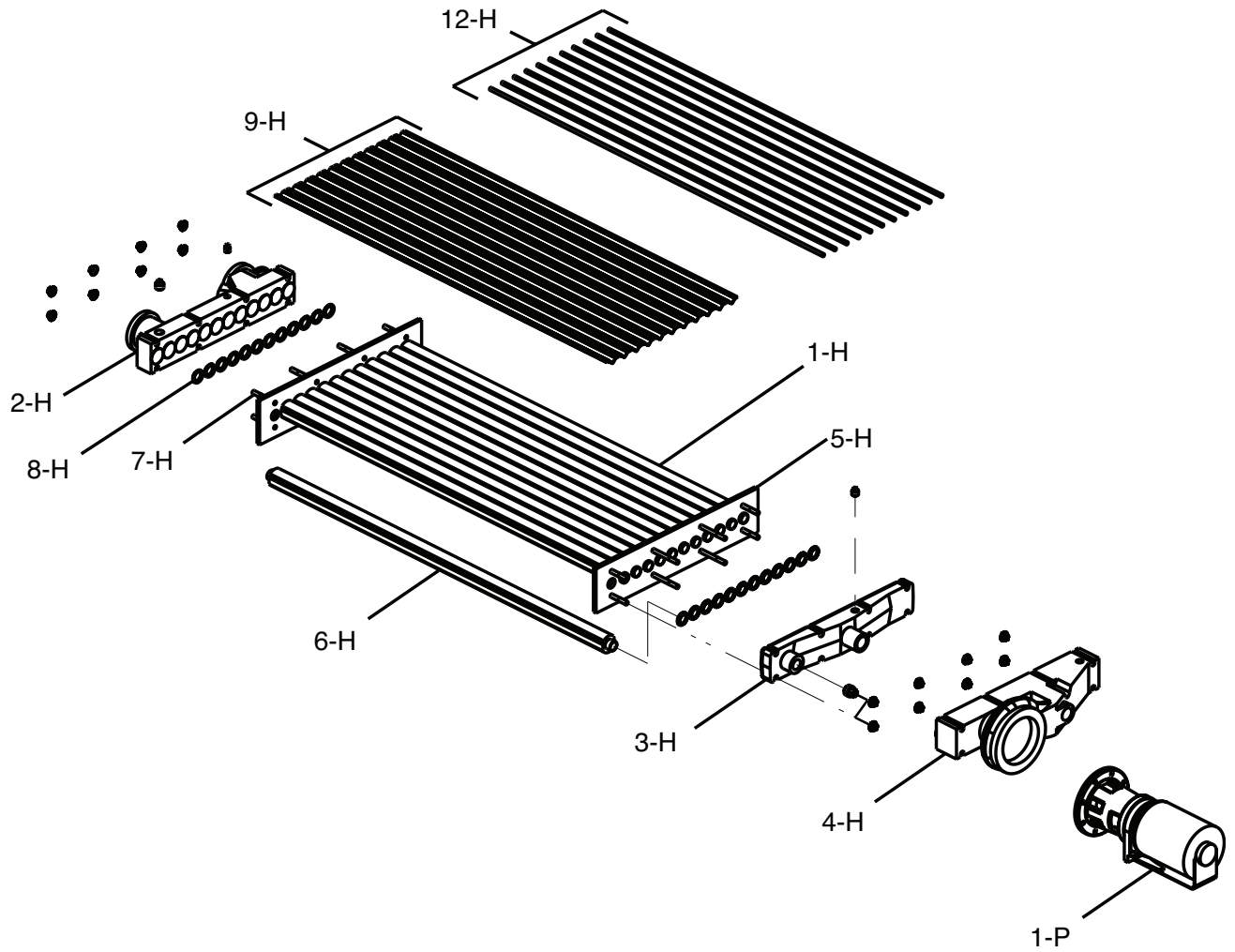


FOR DETAILED INSTRUCTIONS, SEE "HOW TO USE YOUR RAYPAK ILLUSTRATED PARTS LIST",
CATALOG NO. 9001.10

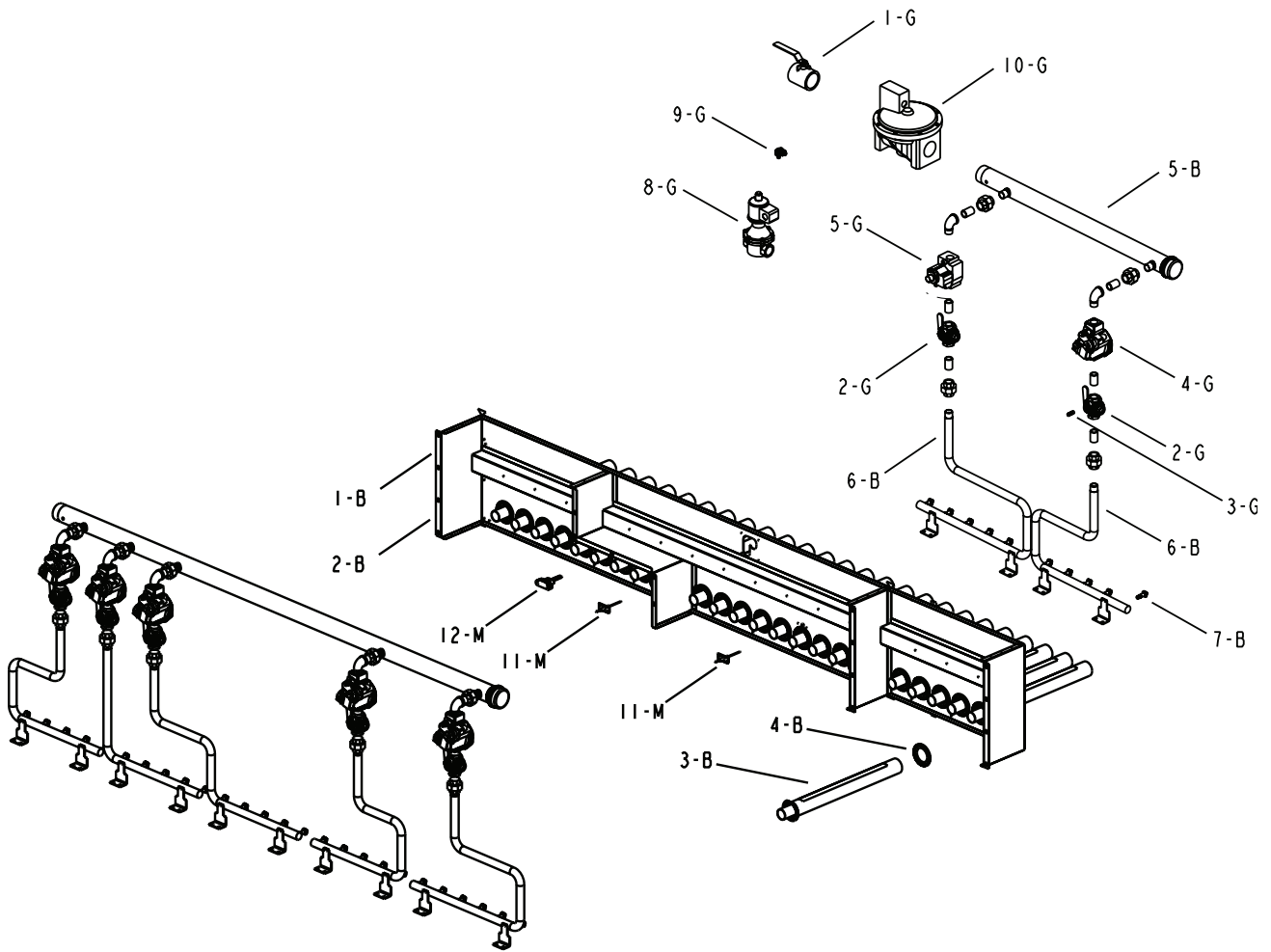


Raypak, Inc., 2151 Eastman Avenue, Oxnard, CA 93030
(805) 278-5300 Fax (800) 872-9725
Litho In U.S.A.
P/N 241325

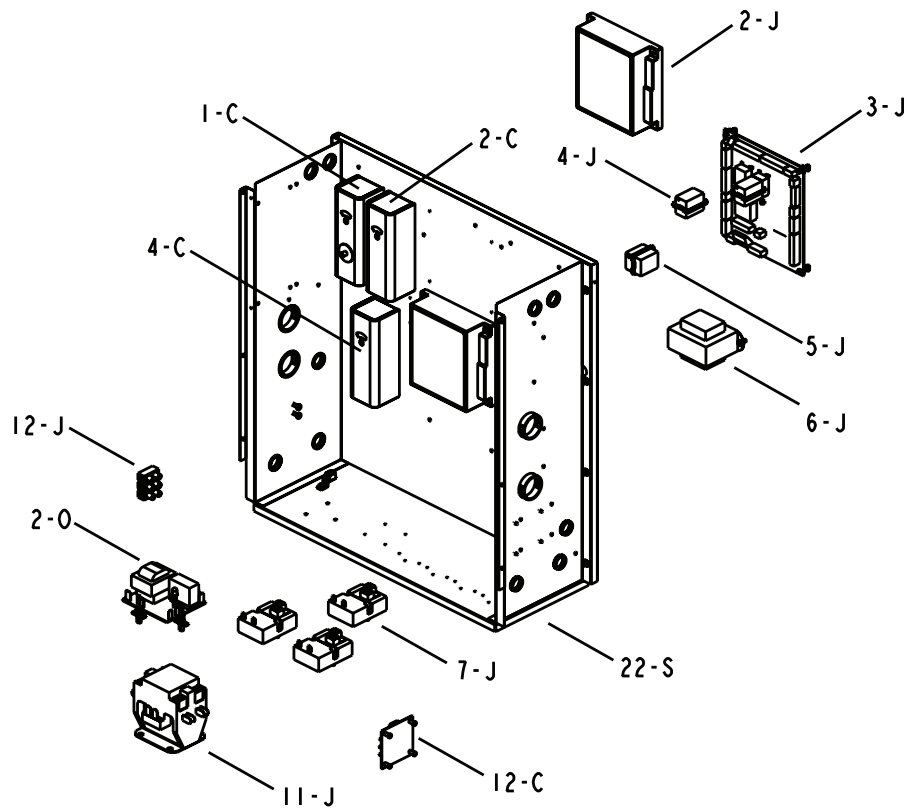




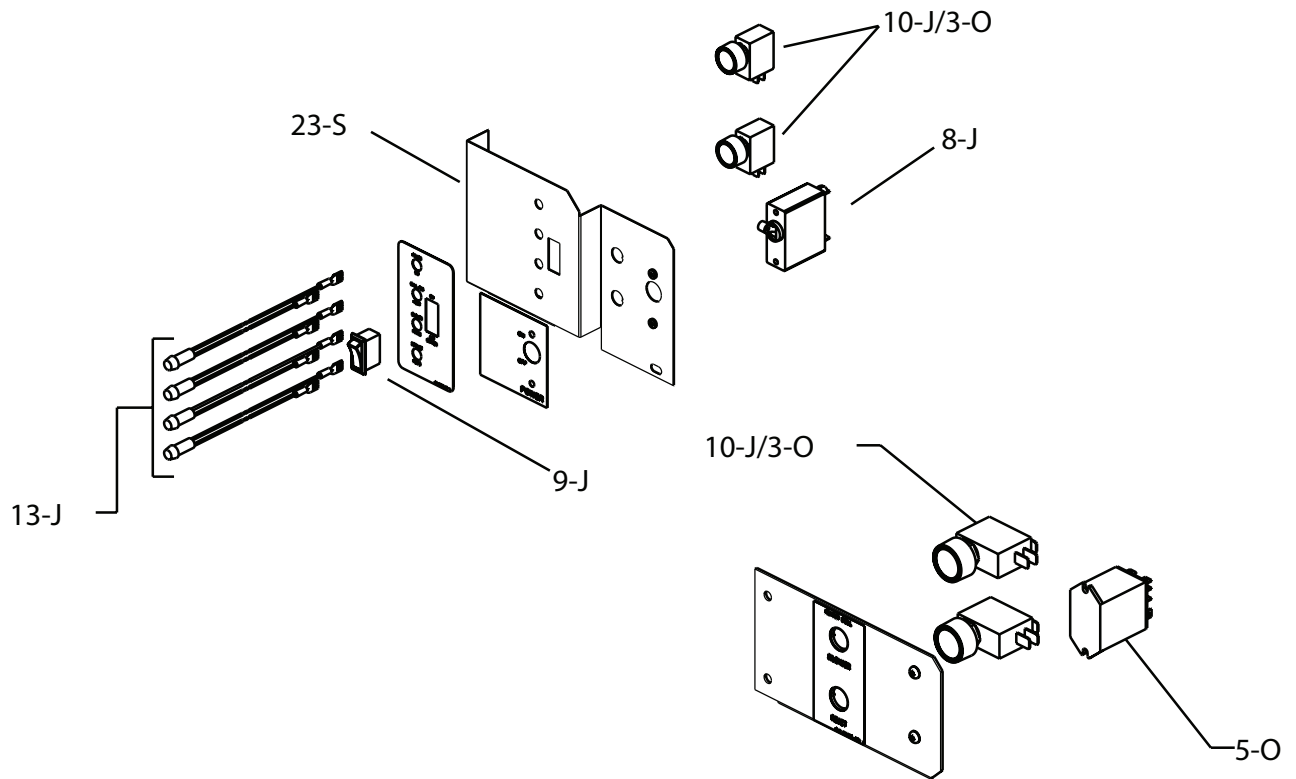
HEAT EXCHANGER DETAIL



BURNER ASSEMBLY DETAIL



CONTROL BOX DETAIL



FRONT SWITCH DETAIL



ISO 9001

Registered Quality Management System

www.raypak.com