

**COMMERCIAL**  
**MODELS: 090A, 135A, 195A**

CATALOG NO. 9300.21  
Effective: 03-15-17  
Replaces: 02-01-16

## RAYPAK ILLUSTRATED PARTS LIST

**MODEL SIZES: 090A, 135A, 195A**

**MODEL TYPE: WH ECONOPAK**

DATES OF MANUFACTURE: 01-01-95 THROUGH CURRENT IID IGNITION  
01-01-95 THROUGH 08-31-12 STANDING PILOT

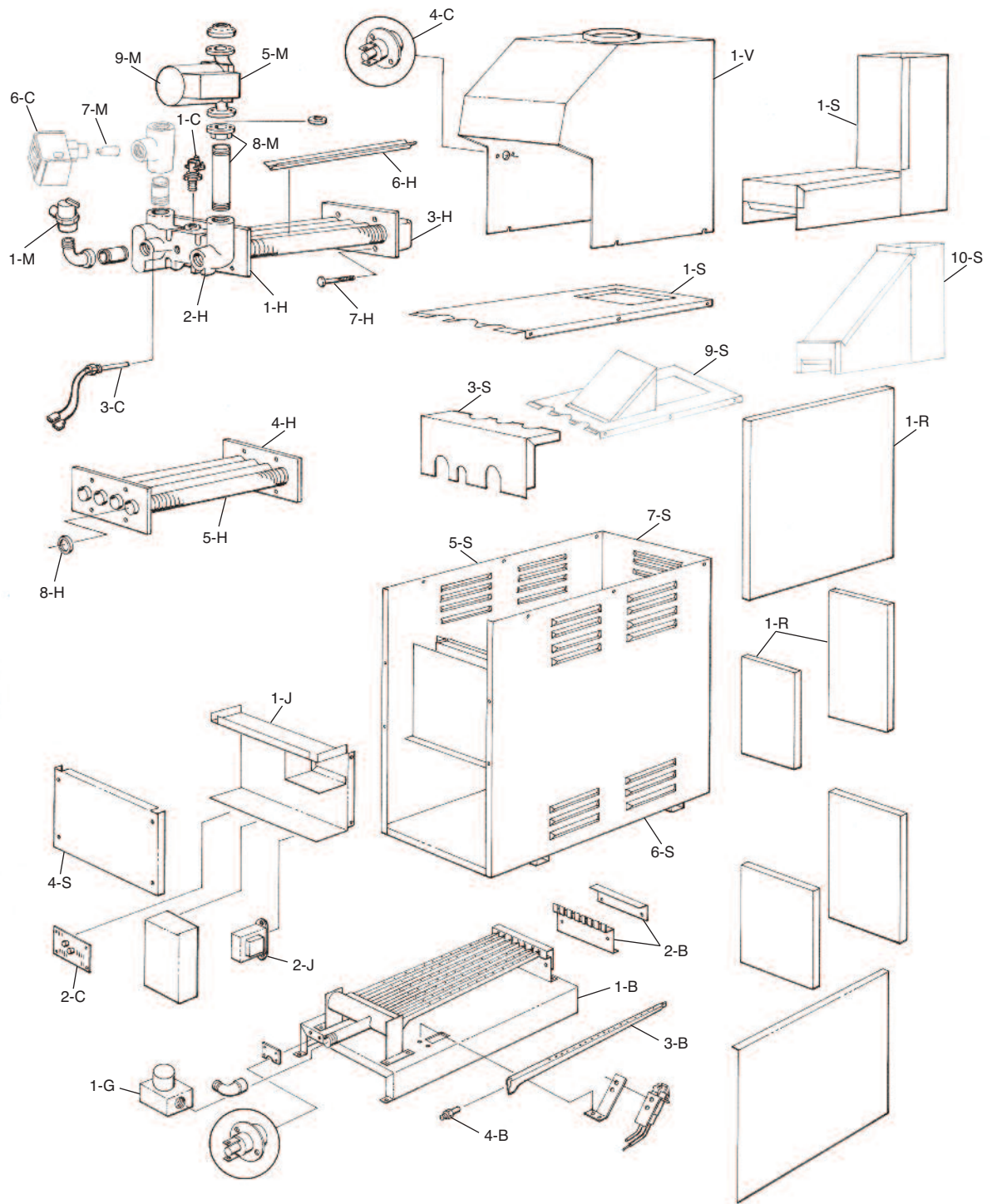
THE PARTS LISTED ARE FOR STANDARD EQUIPMENT FOR THIS MODEL TYPE. RAYPAK RESERVES THE RIGHT TO SUBSTITUTE, DELETE OR CHANGE ANY PART WITHOUT NOTIFICATION. THE ADDITION OF OPTIONS MAY ALSO CHANGE SOME OF THE PARTS. ORDER REPLACEMENT PARTS FROM ACTUAL HEATER COMPONENTS.



FOR DETAILED INSTRUCTIONS, SEE "HOW TO USE YOUR RAYPAK ILLUSTRATED PARTS LIST",  
CATALOG NO. 9001.10

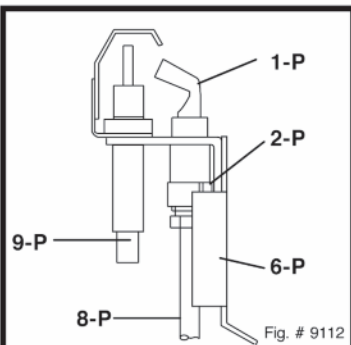
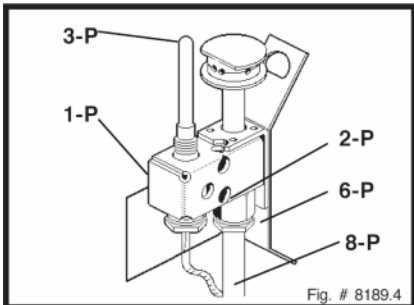


Raypak, Inc., 2151 Eastman Avenue, Oxnard, CA 93030  
(805) 278-5300 Fax (800) 872-9725  
Litho In U.S.A.

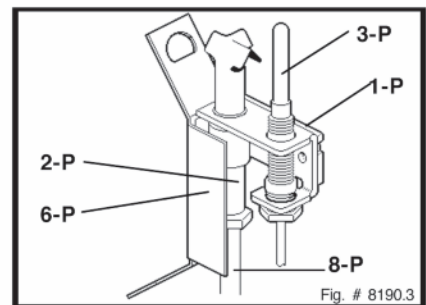


**HONEYWELL IID**

**HONEYWELL STANDING PILOT**



**ROBERTSHAW STANDING PILOT**



CALL OUT	DESCRIPTION	90A	135A	195A
<b>B</b>	<b>BURNER TRAY**</b>			
1-B	Burner Tray w/o Gas Valve (Sea Level)*	003940F	004227F	004228F
	Burner Tray w/Gas Valve Nat. STG	004769F	004805F	004793F
	Burner Tray w/Gas Valve Pro. STG	004770F	004806F	004794F
	Burner Tray w/Gas Valve Nat. IID	005455F	005964F	005966F
	Burner Tray w/Gas Valve Pro. IID	005456F	005965F	005967F
2-B	Burner Spacer/Hold-Down	003942F	004229F	004230F
3-B	Burner	301210/7	301210/11	301210/15
4-B	Burner Orifice Nat. (Sea Level)*	350079F/7	350079F/11	350079F/15
	Burner Orifice Pro. (Sea Level)*	350350F/7	350350F/11	350350F/15
<b>C</b>	<b>CONTROLS</b>			
1-C	Manual Reset Limit	008093F	008093F	008093F
2-C	Electronic Fast Response Sensor w/Probe	005555F	005555F	005555F
3-C	Probe Fast Response	006532F	006532F	006532F
4-C	Roll-Out/Flue Sensor	006021F	006021F	006021F
5-C	Tankstat (Not Shown)	007148F	007148F	007148F
6-C	Flow Switch	007142F	007142F	007142F
<b>G</b>	<b>GAS VALVES</b>			
1-G	Natural Gas Std. Honeywell	601009	601009	601009
	Propane Gas Std. Honeywell	004825F	004825F	004825F
	Natural Gas Std. Robertshaw	601009	601009	601009
	Propane Gas Std. Robertshaw	004825F	004825F	004825F
	Natural Gas IID Honeywell	N/A	N/A	N/A
	Propane Gas IID Honeywell	N/A	N/A	N/A
	Natural Gas IID Robertshaw	005461F	005461F	005461F
	Propane Gas IID Robertshaw	005462F	005462F	005462F
<b>H</b>	<b>HEAT EXCHANGER</b>			
1-H	Heat Exchanger Cast Iron	005556F	005557F	005558F
2-H	Inlet/Outlet Header Cast Iron	005559F	005560F	005561F
3-H	Return Header Cast Iron	005562F	005563F	005564F
4-H	Tube Bundle	003960F	004243F	004244F
5-H	Heat Exchanger Tube	003961F	003961F	003961F
6-H	Baffle Kit	003964F	004245F	004246F
7-H	Carriage Bolt Kit	N/A	N/A	N/A
	Stud Bolt Kit	007912F	007911F	007911F
8-H	Header Gasket	800203B	800203B	800203B
<b>J</b>	<b>CONTROL BOX</b>			
1-J	Control Box Std. (Complete)	005565F	005566F	005566F
	Control Box IID Nat. (Complete)	005567F	005568F	005568F
2-J	Transformer	650691	650691	650691
<b>M</b>	<b>MISCELLANEOUS</b>			
1-M	PRV 125 PSI	008091F	008091F	008091F
2-M	Delimiting Kit	052871F	052871F	052871F
5-M	Pump Inline Taco <sup>1</sup>	007325F	007327F	007327F
9-M	Pump Cartridge	951166F	951153F	951153F
8-M	Pump Flange	013503F	013504F	013504F
6-M	Wire/Harness Standing Pilot	005569F	005569F	005569F
	Wire Harness IID	005570F	005570F	005570F
7-M	Flow Switch Paddle	010026F	010026F	010026F
10-M	Touch-up Paint			
	Green	750125	750125	750125
	Cool Dark Gray	750256	750256	750256
	Warm Dark Gray	750258	750258	750258
11-M	Combustion Chamber Insulation (Not Shown)	015742F	015743F	015744F

\*FOR ALTITUDES ABOVE 2,000 FEET ABOVE SEA LEVEL, CONSULT FACTORY.

\*\*REPLACEMENT BURNER TRAYS ARE BUILT FOR SEA LEVEL, NATURAL GAS APPLICATIONS UNLESS OTHERWISE SPECIFIED AT THE TIME THE ORDER IS PLACED.

<sup>1</sup>For individual pump parts see separate pump parts IPL 9300.100

CALL OUT	DESCRIPTION	90A	135A	195A
<b>P</b>	<b>PILOT</b>			
1-P	Pilot Nat. Std.	003972F	003972F	003972F
	Pilot Pro. Std.	003973F	003973F	003973F
	Pilot Nat. IID	005467F	005467F	005467F
	Pilot Pro. IID	005468F	005468F	005468F
2-P	Pilot Orifice Nat. Std.	003974F	003974F	003974F
	Pilot Orifice Pro. Std.	003975F	003975F	003975F
	Pilot Orifice Nat. IID	003903F	003903F	003903F
	Pilot Orifice Pro. IID	004308F	004308F	004308F
3-P	Pilot Thermocouple	600003	600003	600003
5-P	Ignition Control IID Honeywell	004935F	004935F	004935F
6-P	Pilot Mtg. Bracket Std./IID	306239	306239	306239
8-P	Pilot Tube	004078F	004078F	004078F
9-P	High Tension Wire IID	002654B	002654B	002654B
	High Tension Wire w/Pilot Electrode	N/A	N/A	N/A
<b>R</b>	<b>REFRACTORY</b>			
1-R	Refractory Kit	003978F	004259F	004260F
<b>S</b>	<b>SHEETMETAL</b>			
1-S	Jacket-Top (Small Opening)			
	Green	003980F	004261F	004268F
	Warm Dark Gray	014185F	014186F	014187F
9-S	Jacket Top (Large Opening)	015722F	015723F	015724F
2-S	Flue Collector	003982F	004262F	004263F
10-S	Flue Collector	015728F	015729F	015730F
3-S	Access Panel			
	Green	003983F	004264F	004264F
	Warm Dark Gray	014188F	014189F	014189F
4-S	Control Panel Cover			
	Green	003984F	004265F	004265F
	Warm Dark Gray	014190F	014191F	014191F
5-S	Jacket Side Left			
	Green	009170F	009170F	009170F
	Cool Dark Gray	014192F	014192F	014192F
6-S	Jacket Side Right			
	Green	009171F	009171F	009171F
	Cool Dark Gray	014193F	014193F	014193F
7-S	Jacket Rear			
	Green	009172F	009173F	009173F
	Cool Dark Gray	014194F	014195F	014195F
8-S	Gas Valve Cover (Not Shown)			
	Green	004706	004707	004707
	Warm Dark Gray	014196	014197	014197
<b>V</b>	<b>VENTING</b>			
1-V	Draffhood			
	Green	003986F	004266F	004267F
	Cool Dark Gray	014199F	014200F	014201F

<b>GAS CONVERSION KITS**</b>	<b>90A</b>	<b>135A</b>	<b>195A</b>
<b>HONEYWELL GAS VALVE</b>			
Standing Pilot Nat. to Pro.	***		
Standing Pilot Pro. to Nat.	***		
IID Nat. to Pro. Honeywell	N/A	N/A	N/A
IID Pro. to Nat. Honeywell	N/A	N/A	N/A
<b>ROBERTSHAW GAS VALVE</b>			
Standing Pilot Nat. to Pro.	004297F	006076F	006078F
Standing Pilot Pro. to Nat.	004298F	006077F	006079F
IID Nat. to Pro. Robertshaw	005485F	006080F	006082F
IID Pro. to Nat. Robertshaw	005486F	006081F	006083F

\*\*GAS CONVERSIONS ARE TO BE DONE ONLY BY A QUALIFIED AGENCY.

FOR GAS CONVERSIONS, CONSULT THE FACTORY.

\*\*\*GAS CONVERSION ONLY AVAILABLE ON ROBERTSHAW VALVE.



[www.raypak.com](http://www.raypak.com)