

RAYPAK ILLUSTRATED PARTS LIST

The parts listed are for standard equipment for this model type. Raypak reserves the right to substitute, delete or change any part without notification. The addition of options may also change some of the parts. Order replacement parts from actual heater components.

**COMMERCIAL XTHERM 1005A, 1505A, AND 2005A
MODULATING VERTICAL BOILER MODELS H, WH, AND P CAT IV
DATES OF MANUFACTURE:**

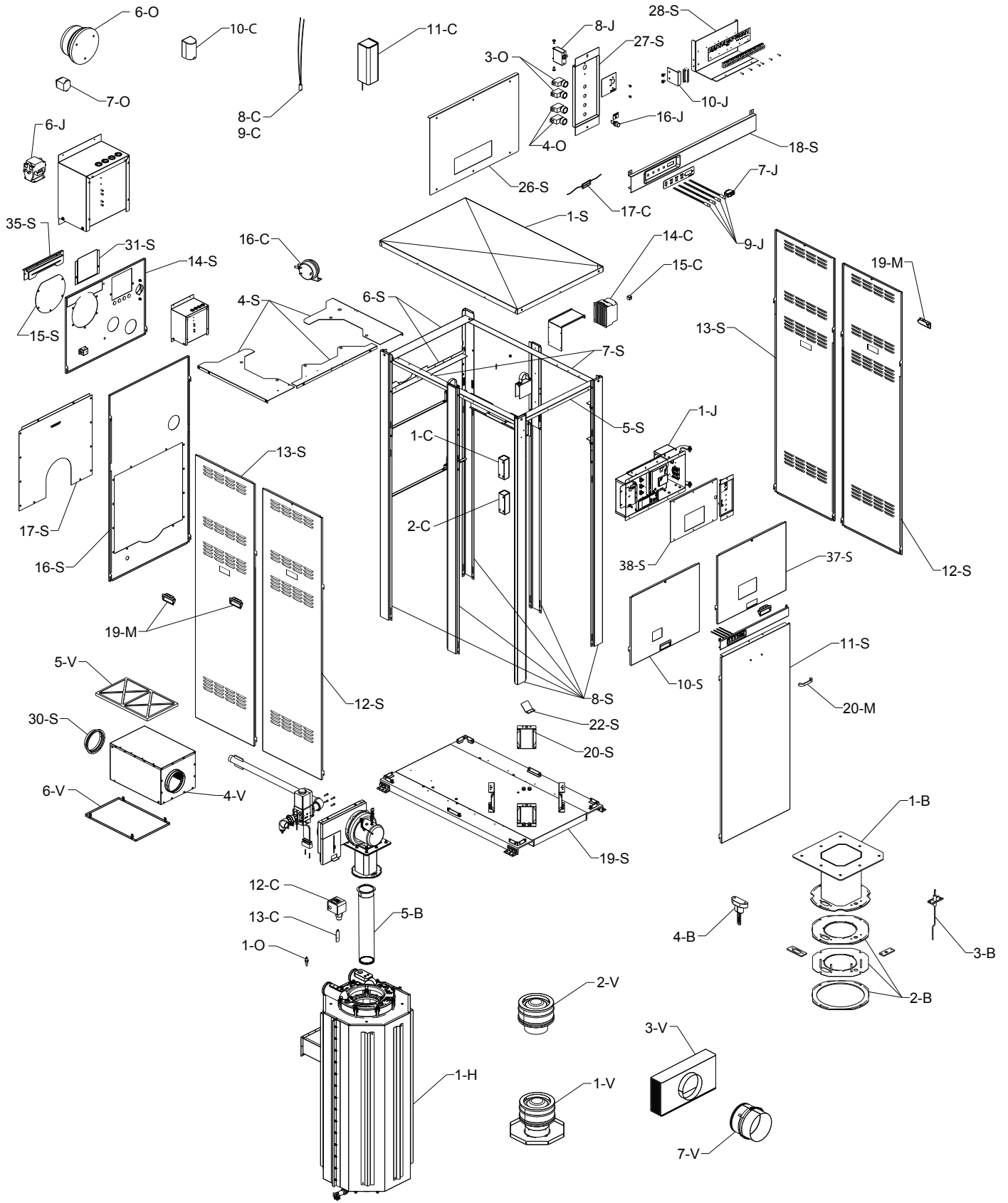
**MODEL H 06-01-13 THROUGH CURRENT
MODELS WH & P 11-01-14 THROUGH CURRENT**



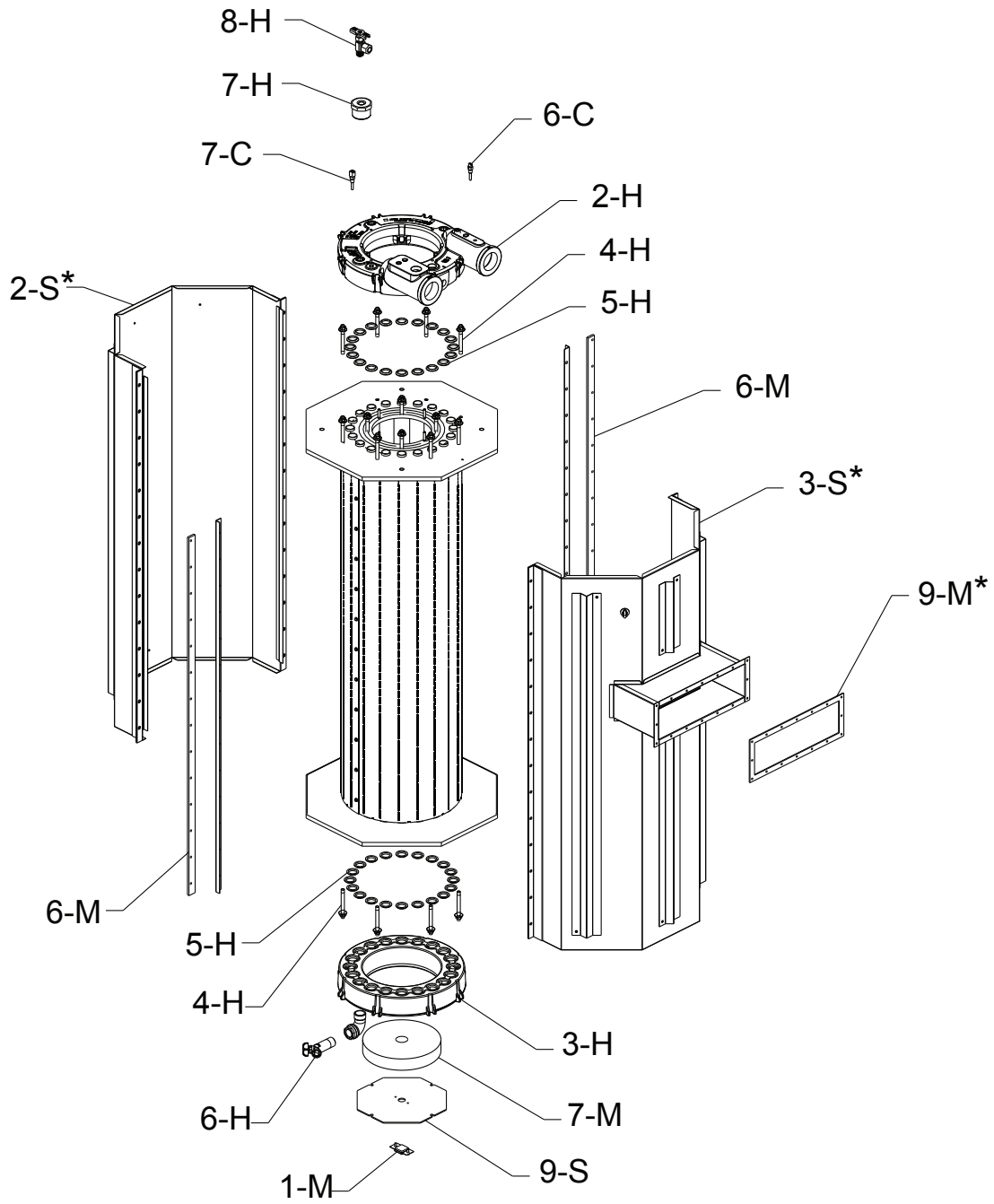
For detailed instructions, see "How to Use your Raypak Illustrated Parts List", Catalog No. 9001.10

Raypak®

A Rheem® Company

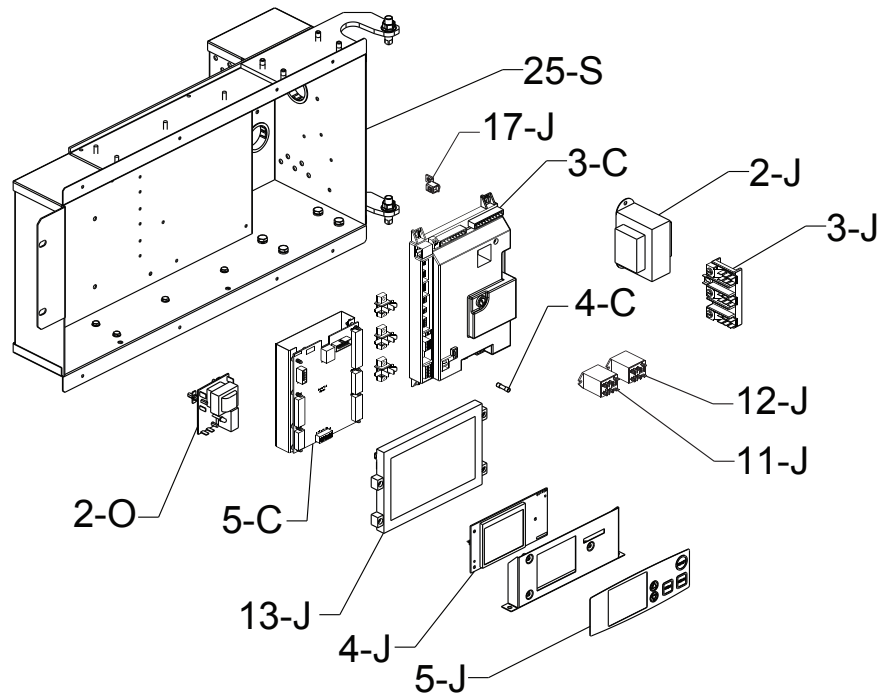


HEAT EXCHANGER DETAIL

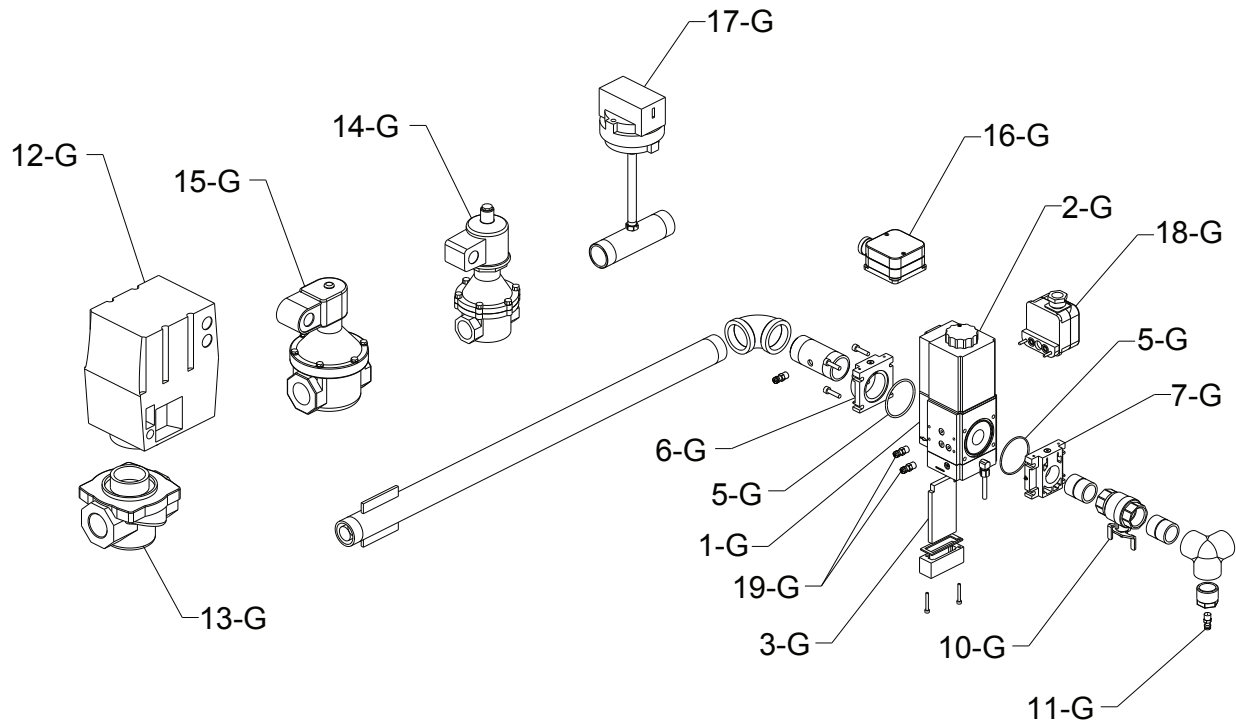


*SURFACES REQUIRE HIGH-TEMPERATURE RTV SEALANT (ITEM 5-M). FOLLOW MANUFACTURER'S INSTRUCTIONS.

J-BOX DETAIL

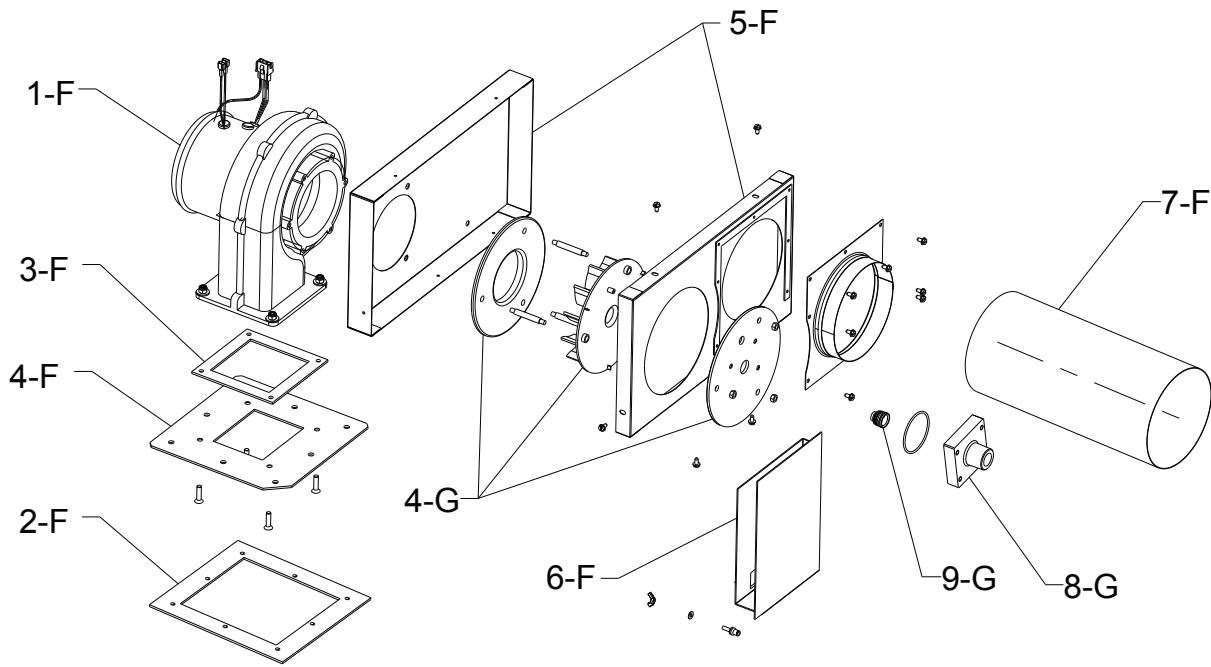


GAS TRAIN DETAIL

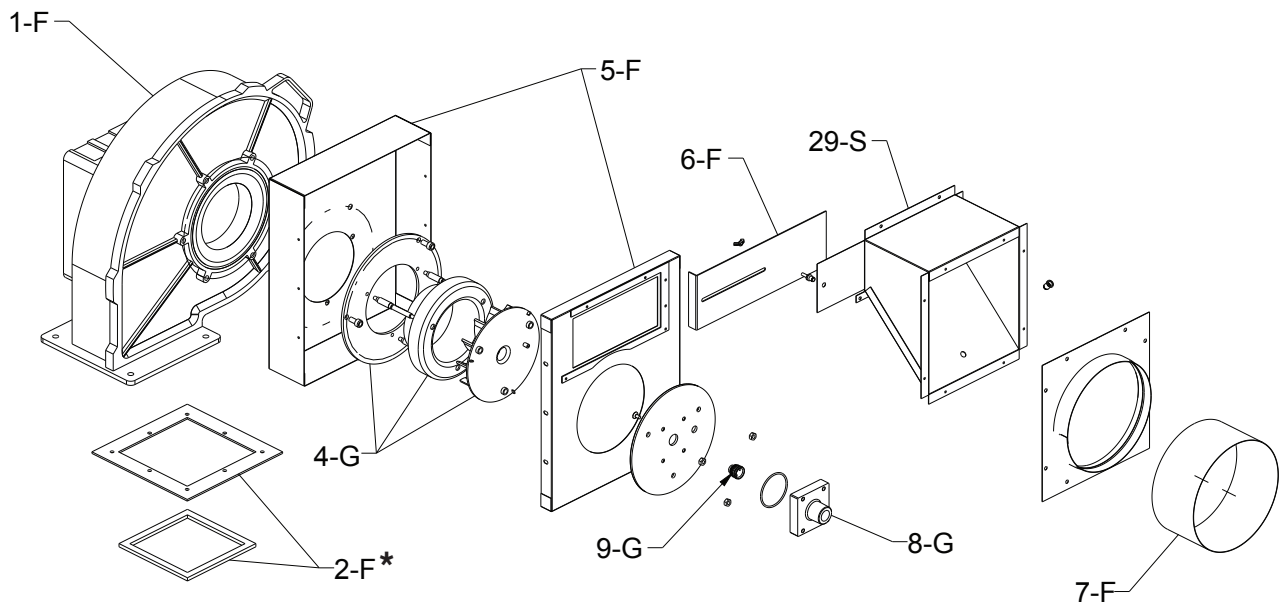


BLOWER DETAIL

MODELS 1005A & 1505A

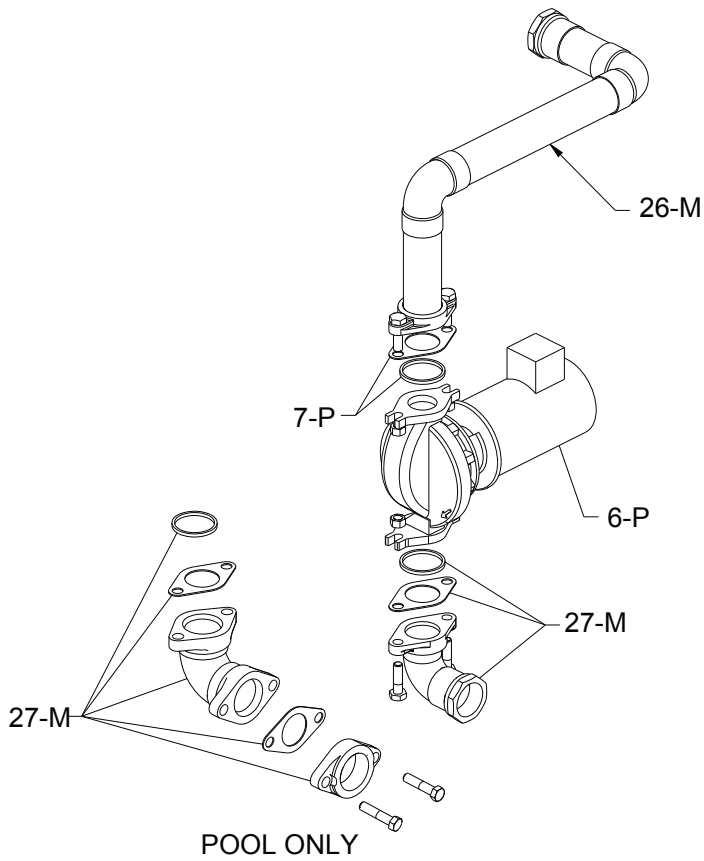
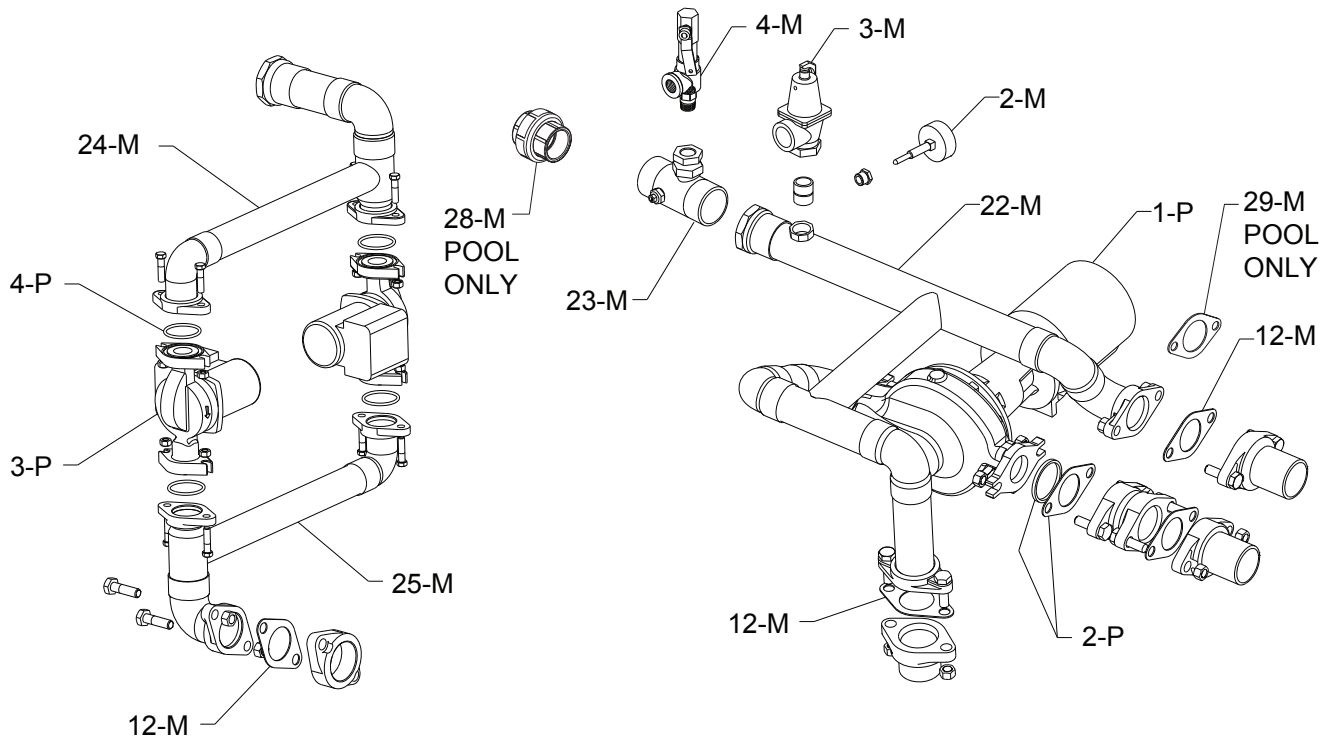


MODEL 2005A

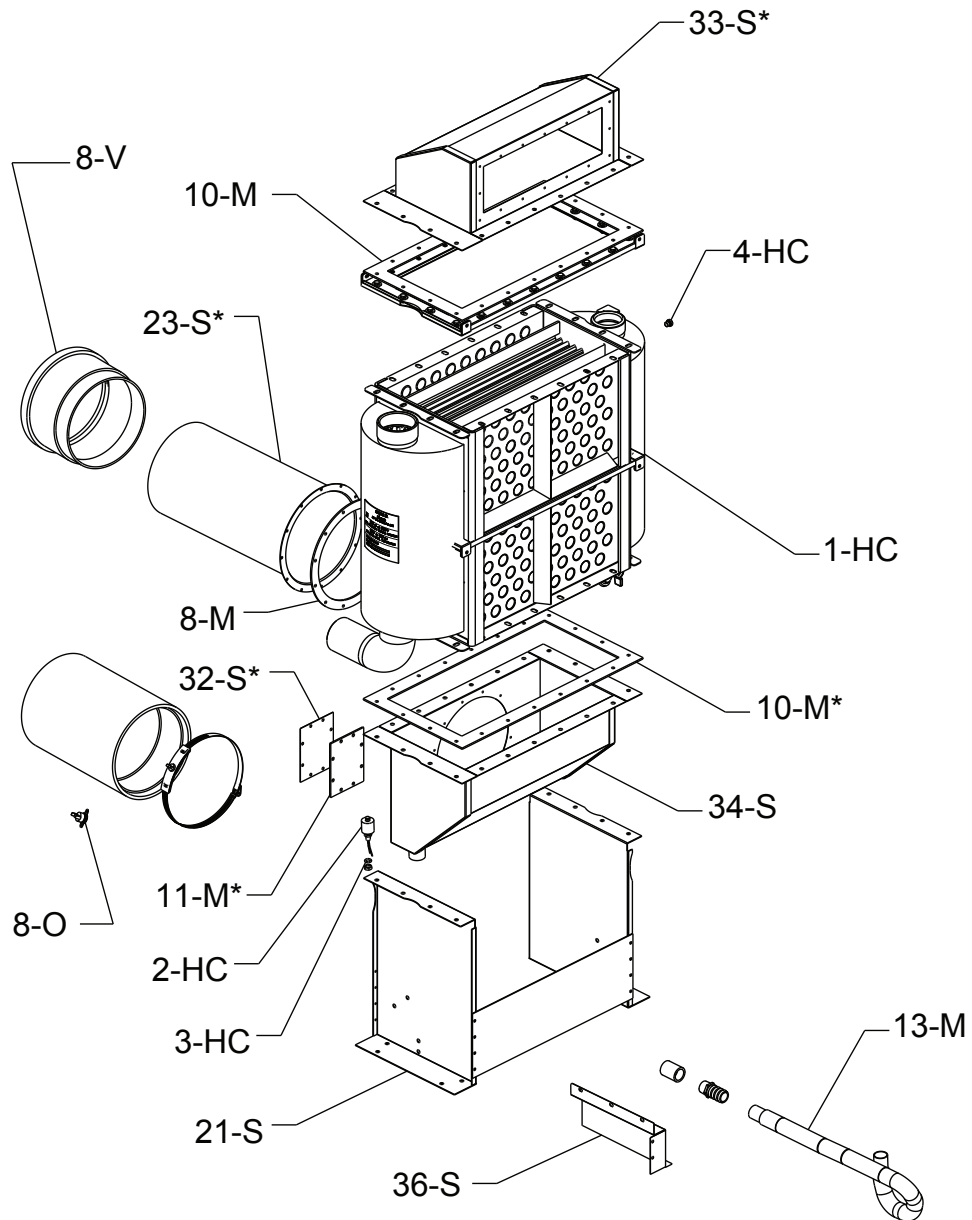


*SURFACES REQUIRE HIGH-TEMPERATURE RTV SEALANT (ITEM 5-M). FOLLOW MANUFACTURER'S INSTRUCTIONS.

BYPASS DETAIL



SECONDARY HEAT EXCHANGER DETAIL



*SURFACES REQUIRE HIGH-TEMPERATURE
RTV SEALANT (ITEM 5-M). FOLLOW
MANUFACTURER'S INSTRUCTIONS.

CALL OUT	DESCRIPTION	1005A	1505A	2005A
B	BURNER ASSEMBLY			
1-B	Adapter Assembly	011749F	011749F	011750F
2-B	Adapter Gaskets and Heat Shield	011751F	011751F	011751F
3-B	Flame Sensor Probe	011752F	011752F	011752F
4-B	Igniter	007400F	007400F	007400F
5-B	Burner	011754F	011755F	011756F
C	CONTROLS			
1-C	Auto Reset Adjustable High Limit 240F Max	011860F	011860F	011860F
	Auto Reset Adjustable High Limit 200F Max	012546F	012546F	012546F
	Auto Reset Adjustable High Limit 180F Max	006445F	006445F	006445F
2-C	Manual Reset Adjustable High Limit 240F	007144F	007144F	007144F
	Manual Reset Adjustable High Limit 200F	008081F	008081F	008081F
	Manual Reset Adjustable High Limit 180F	009554F	009554F	009554F
3-C	PIM (Platform Ignition Module) Multi Try	014324F	014324F	014324F
	PIM (Platform Ignition Module) Single Try CSD-1	014325F	014325F	014325F
4-C	Fuse 5 Amp (Fast Acting)	013971F	013971F	013971F
5-C	PC Board VERSA IC	013935F	013935F	013935F
6-C	Inlet Sensor (2 Wire)	013175F	013175F	013175F
7-C	Outlet/Limit Sensor (4 Wire)	013932F	013932F	013932F
8-C	System Water Sensor 10K	010787F	010787F	010787F
9-C	Indirect DHW Sensor 10K	010787F	010787F	010787F
10-C	Sensor Outdoor Air B-32	010786F	010786F	010786F
11-C	Indirect Tank Aquastat Control B-65	007148F	007148F	007148F
12-C	Flow Switch	007142F	007142F	007142F
13-C	Flow Switch Paddle (Taco)	010026F	010026F	010026F
14-C	Inverter	014924F	014924F	014924F
15-C	Programmed Chip for Inverter			
	P3 Chip (Units manufactured prior to 03/22/18)	014925F	014925F	014925F
	P5 Chip (Consult factory service)	N/A	N/A	N/A
	P7 Chip (Units manufactured from 03/23/18)	017057F	017057F	017057F
16-C	Vent Pressure Switch	011760F	011760F	011760F
17-C	Fuse 5 Amp (Pump) (Slow Blow)	013972F	013972F	013972F
J	CONTROL BOX			
1-J	Control Box Complete	N/A	N/A	N/A
2-J	Transformer 120/24 100 VA	007494F	007494F	007494F
3-J	Terminal Block w / Ground Lug	008523F	008523F	008523F
4-J	LCD Display PC Board	013939F	013939F	013939F
13-J	Touchscreen Display	015878F	015878F	015878F
14-J	SD Card Programmed (Not Shown)	015887F	015887F	015887F
15-J	Lithium Battery 3V (Not Shown)	015888F	015888F	015888F
5-J	Switch/Decal Membrane	013937F	013937F	013937F
11-J	Relay DPDT 24V NO	011720F	011720F	011720F
12-J	Relay DPDT 110/120V NO/NC	013243F	013243F	013243F
6-J	Pump Contactor 120 VAC (Wiring Box)	007906F	007906F	007906F
7-J	Rocker Switch	009493F	009493F	009493F
8-J	On / Off Shut Down Switch 30 Amp	007380F	007380F	007380F
9-J	Indicator Lamp LED	011848F	011848F	011848F
10-J	PC Board Adapter Status Lights Wiring	014712F	014712F	014712F
16-J	Reset Switch for Touchscreen	015879F	015879F	015879F
17-J	Ground Lug	007155F	007155F	007155F
F	FAN			
1-F	Blower Combustion Air	014556F	014556F	011765F
2-F	Adapter Gasket	011885F	011885F	011885F
3-F	Adapter Gasket	011886F	011886F	N/A
4-F	Adapter Plate	011887F	011887F	N/A
5-F	Plenum Assembly	011863F	011863F	011864F
6-F	Air Shutter	011875F	011875F	011876F
7-F	Hose Duct 6"	007420F	007420F	N/A
	Hose Duct 8"	N/A	N/A	012680F

CALL OUT	DESCRIPTION	1005A	1505A	2005A
G	GAS TRAIN			
1-G	Valve Gas Modulating 120V (Dungs) Natural Gas	013200F	013200F	014415F
	Valve Gas Modulating 120V (Dungs) Propane Gas	013200F	013200F	013200F
2-G	Valve Coil 120V Nat	013201F	013201F	014693F
	Valve Coil 120V Pro	013201F	013201F	013201F
3-G	Inlet Gas Filter Natural Gas	012294F	012294F	012295F
	Inlet Gas Filter Propane Gas	012294F	012294F	012294F
4-G	Swirler	011888F	011888F	011889F
5-G	O-rings (Includes Gas Valve and Adapter O-rings)	012440F	012440F	012441F
6-G	Adapter Gas Valve 1" Inlet (Includes O-rings)	011915F	011915F	011915F
	Adapter Gas Valve 1-1/4" Inlet (Includes O-rings)	011916F	011916F	N/A
	Adapter Gas Valve 2" Inlet (Includes O-rings)	N/A	N/A	011917F
7-G	Adapter Gas Valve Outlet w/Shutter (Includes O-ring) Natural	013206F	013206F	014557F
	Adapter Gas Valve Outlet w/Shutter (Includes O-ring) Propane	013206F	013206F	013206F
8-G	Adapter Swirl Plate	012298F	012298F	012298F
9-G	Nozzle Natural Gas	012304F	014467F	014467F
	Nozzle Propane Gas	012304F	012304F	012304F
10-G	Valve Gas Ball (WOG)	011769F	011769F	011769F
11-G	Bleedle Valve 1/8 MPT	007423F	007423F	007423F
19-G	Bleedle Valve G1/8 BSP	015400F	015400F	015400F
12-G	Motorized Safety Shut Off Actuator M-1(Optional)	011908F	011908F	011908F
13-G	Gas Valve Body M1 Nat (Optional)	014015F	014015F	014558F
	Gas Valve Body M1 Pro (Optional)	014014F	014014F	014014F
14-G	Solenoid Safety Shut Off Valve M-10 Nat (Optional)	011910F	011910F	011911F
	Solenoid Safety Shut Off Valve M-10 Pro (Optional)	011909F	011909F	011909F
15-G	Vent Valve Gas M-15 Nat (Optional)	011914F	011914F	011914F
	Vent Valve Gas M-15 Pro (Optional)	011913F	011913F	011913F
16-G	Switch Low Gas Pressure (Optional)	011770F	011770F	011770F
17-G	Switch Low Gas Pressure w/M-1 or M-10 (Optional)	007187F	007187F	007187F
18-G	Switch High Gas Pressure (Optional)	011771F	011771F	011771F
H	HEAT EXCHANGER (Primary)			
1-H	Heat Transfer Cupro-Nickel Bronze (Includes 18-S)	014652F	014653F	014654F
	Heat Transfer Cupro-Nickel Cast Iron (Includes 18-S)	014655F	014656F	014657F
	Heat Transfer Copper Bronze (Includes 18-S)	014658F	014659F	014660F
	Heat Transfer Copper Cast Iron (Includes 18-S)	014661F	014662F	014663F
2-H	Inlet/Outlet Header Bronze	014619F	014619F	014619F
	Inlet/Outlet Header Cast Iron	014620F	014620F	014620F
3-H	Return Header Bronze	007204F	007204F	007204F
	Return Header Cast Iron	012330F	012330F	012330F
4-H	Stud Bolt	009104F	009104F	009104F
5-H	Header Gasket (20 PCS)	007343F	007343F	007343F
6-H	Drain Valve	006536F	006536F	006536F
7-H	Manual Air Vent Valve Bushing	016282F	016282F	016282F
8-H	Manual Air Vent Valve	016970F	016970F	016970F
HS	HEAT EXCHANGER (Condensing)			
1-HC	Heat Exch Stainless Steel (Includes 21-S)	012586F	012587F	012588F
2-HC	Condensate Float Switch	012589F	012589F	012589F
3-HC	O-ring Seal	012590F	012590F	012590F
4-HC	Inspection Port Plug	N/A	N/A	015118F

CALL OUT	DESCRIPTION	1005A	1505A	2005A
M	MISCELLANEOUS COMPONENTS			
1-M	Window Combustion Chamber	006947F	006947F	006947F
2-M	T & P Gauge 0-75 PSI	007205F	007205F	007205F
	T & P Gauge 0-200 PSI	007399F	007399F	007399F
	T & P Gauge 0-230 PSI	014221F	014221F	014221F
3-M	PRV 30 PSI	007748F	007748F	007748F
	PRV 45 PSI	007221F	007751F	007752F
	PRV 60 PSI	007222F	007753F	007754F
	PRV 75 PSI	007223F	007756F	007756F
	PRV 125 PSI	007224F	007224F	007758F
	PRV 150 PSI	007225F	007225F	007225F
4-M	UV PRV 150 PSI	013415F	013415F	013415F
5-M	RTV Sealant 2.8 oz. (Not Shown)	008924F	008924F	008924F
	RTV Sealant 10 oz. (Not Shown)	005755F	005755F	005755F
6-M	Flue Collector Vertical Seal Gasket	011772F	011772F	011772F
7-M	Insulation Blanket Return Header	007241F	007241F	007241F
8-M	Flue Exhaust Adapter Gasket Round	009735F	009736F	009736F
9-M	Flue Exhaust Adapter Gasket Rectangle	012591F	012592F	012592F
10-M	Plenum Gasket Upper and Lower	012593F	012593F	012594F
11-M	Access Panel Gasket Condensing Heat Exch	012595F	012595F	012595F
12-M	Flange Gasket 2" or 2-1/2" NPT	012596F	012596F	012596F
13-M	Condensate Hose	012597F	012597F	012597F
14-M	Condensate Management (Not Shown)	012050	012051	012051
15-M	Touch-up Paint			
	Green	750125	750125	750125
	Cool Dark Gray	750256	750256	750256
16-M	Wire Harness	014922F	014922F	014922F
17-M	LCD Display Wire Harness	014554F	014554F	014554F
18-M	LED Status Lights Wire Harness	014555F	014555F	014555F
21-M	Versa IC Communication Cable	015556F	015556F	015556F
30-M	Identification Card Harness (Not Shown)	017035F	017035F	017035F
19-M	Plastic Handle	012681F	012681F	012681F
20-M	Metal Handle	014650F	014650F	014650F
22-M	Bypass Plumbing Assembly			
	Copper	015787F	015788F	015790F
23-M	PRV Plumbing Assembly			
	PRV 30 PSI	015797F	015797F	015797F
	PRV 45 PSI	N/A	N/A	015797F
	UV PRV 150 PSI	015797F	015797F	015797F
24-M	Dual Injector Pump Upper Plumbing Assembly	015791F	015791F	015791F
25-M	Dual Injector Pump Lower Plumbing Assembly	015792F	015792F	015792F
26-M	Single Injector Pump Upper Plumbing Assembly			
	Copper	015793F	015794F	015795F
27-M	Single Injector Pump Lower Plumbing Assembly			
	Copper	015796F	015796F	015796F
	Brass (Pool Heaters Only)	016380F	016380F	016380F
28-M	Outlet Connection Plumbing (Pool Only)	015720F	015720F	015720F
29-M	Flange Gasket (Pool Only)	015755F	015755F	015755F
O	OPTIONS			
1-O	Remote Sensor (LWCO)	007228F	007228F	007228F
2-O	Control PC Board (LWCO)	007157F	007157F	007157F
3-O	Test / Reset Switch (LWCO)	005641F	005641F	005641F
4-O	Silencer/Reset Switch (Alarm)	005641F	005641F	005641F
6-O	Alarm Bell 4" 24V	005643F	005643F	005643F
7-O	Relay 3PDT 24 VAC (Alarm)	014717F	014717F	014717F
8-O	Vent Limit Switch Manual Reset			
	PVC Venting	011868F	011868F	011868F
	Polypropylene Venting	014043F	014043F	014043F

CALL OUT	DESCRIPTION	1005A	1505A	2005A
P	PUMPS*			
	Bypass Pump			
1-P	Bronze (Soft Water) (H & P w/Copper or Brass Plumbing)	011845F	011845F	007351F
	Bronze (Soft Water) (P w/CPVC Plumbing)	011845F	007348F	007351F
	Bronze (Soft Water) (WH)	011845F	007348F	007351F
	Bronze (Medium Water) (WH)	011845F	007348F	007351F
	Bronze (Hard Water) (WH)	007348F	007351F	
	Cast Iron (H)	011846F	011846F	007357F
	High Temperature Potable Process (H)			
	Bronze (Medium Water)	011845F	007348F	007351F
	Bronze (Hard Water)	007348F	007351F	
2-P	Pump Flange Gasket	013423F	013423F	013423F
	Injector Pump			
3-P	Dual Bronze/SS			
	Units manufactured with 0012VS Pump Use, BEFORE 05/2018	012600F	012600F	012600F
	Units manufactured with 0122VV Pump Use, AFTER 05/2018	016926F	016926F	016926F
	Dual Cast Iron			
	Units manufactured with 0012VS Pump Use, BEFORE 05/2018	012601F	012601F	012601F
	Units manufactured with 0122VV Pump Use, AFTER 05/2018	016927F	016927F	016927F
4-P	Pump Flange Gasket	008747F	008747F	008747F
5-P	Pump Cartridge	016480F	016480F	016480F
6-P	Single Bronze (WH)	N/A	012668F	012668F
	Single Bronze (P)	012669F	012669F	012668F
7-P	Pump Flange Gasket	013423F	013423F	013423F
S	SHEETMETAL			
1-S	Jacket Top	014664F	014664F	014664F
2-S	Flue Collector Front (No Opening) (Includes 6-M)	011789F	011791F	011793F
3-S	Flue Collector Rear (Opening) (Includes 6-M and 9-M)	012603F	012604F	012605F
4-S	Heat Transfer Supports	014665F	014665F	014665F
5-S	Upper Cabinet Support Front	014666F	014666F	014666F
6-S	Upper Cabinet Supports Rear	014703F	014703F	014703F
7-S	Upper Cabinet Supports Side	014704F	014704F	014704F
8-S	Vertical Cabinet Supports with Stiffeners	014667F	014668F	014669F
9-S	Return Header Cover	007257F	007257F	007257F
10-S	Jacket Upper Front Panel w/LCD Display	014670F	014670F	014671F
37-S	Jacket Upper Front Panel for Touchscreen	016199F	016199F	016200F
11-S	Jacket Lower Front Panel	014672F	014673F	014674F
12-S	Jacket Side/Front Panel	014705F	014706F	014707F
13-S	Jacket Side/Rear Panel	014708F	014709F	014710F
14-S	Jacket Upper Rear Panel	014675F	014676F	014677F
15-S	Access Panel Intake Air	012671F	012671F	012671F
16-S	Jacket Lower Rear Panel	012624F	012625F	012626F
17-S	Access Panel Lower Rear	012672F	012674F	012674F
18-S	Upper Front Panel w/LED Lights	014711F	014711F	014711F
19-S	Base Assembly	012627F	012627F	012627F
20-S	Leg Bracket Primary Heat Exch (4 pcs per boiler)	007306F	007306F	007306F
21-S	Leg Bracket Condensing Heat Exch (2 pcs per boiler)	012628F	012629F	012630F
22-S	Base Reflector Panel	007307F	007307F	007307F
23-S	Flue Exhaust Adapter Assembly	012631F	012632F	012632F
24-S	Flue Exhaust Adapter Assembly PVC	N/A	N/A	N/A
25-S	Control Box Assy	014679F	014679F	014679F
26-S	Control Box Cover Panel with Digital Display	014698F	014698F	014698F
38-S	Control Box Cover Panel for Touchscreen Display	016201F	016201F	016201F
27-S	Control Box Cover Panel with Power Switch	014616F	014616F	014616F
28-S	24V Wiring Panel	014519F	014519F	014519F
29-S	Intake Air Adapter (plenum to Duct)	N/A	N/A	011881F
30-S	Intake Air Collar	012675F	012676F	012676F
31-S	Access Panel Wiring Box	012651F	012651F	012651F
32-S	Access Panel Condensing Heat Exch	012638F	012638F	012638F
33-S	Plenum Upper Condensing Heat Exch	012639F	012640F	012641F
34-S	Plenum Lower Condensing Heat Exch	012642F	012643F	012644F
35-S	Filter Access Cover	012683F	012683F	012683F
36-S	Condensate Hose Bracket	013422F	013422F	013422F
V	VENTING			
1-V	Outdoor Stack	014622F	014623F	014623F
2-V	Vent Cap Vertical for Indoor Units	010802	010803	010803
3-V	Vent Cap Horizontal Thru-the-Wall for Indoor Units	006644	006646	006646
4-V	Intake Air filter Box	012645F	012646F	012647F
5-V	Air Filter Media	012599F	012599F	012599F
6-V	Condensate Drip Pan	012678F	012678F	012678F
7-V	Flue Exhaust Termination Adapter for PVC Venting	013346F	013347F	013347F
8-V	Flue Exhaust Termination Adapter for Polypropylene Venting	013736	013737	013737



www.raypak.com

Raypak, Inc., 2151 Eastman Avenue, Oxnard, CA 93030 (805) 278-5300 FAX (805) 278-5489
Litho In U.S.A.