

RAYPAK ILLUSTRATED PARTS LIST

The parts listed are for standard equipment for this model type. Raypak reserves the right to substitute, delete or change any part without notification. The addition of options may also change some of the parts. Order replacement parts from actual heater components.

**COMMERCIAL XPAK FT WALL HUNG HYDRONIC BOILER
CONDENSING FIRE TUBE BOILER
MODEL TYPE: H7, NATURAL GAS AND LP
MODEL SIZE: 88AR, 108AR, 198AR, 278AR AND 398A**

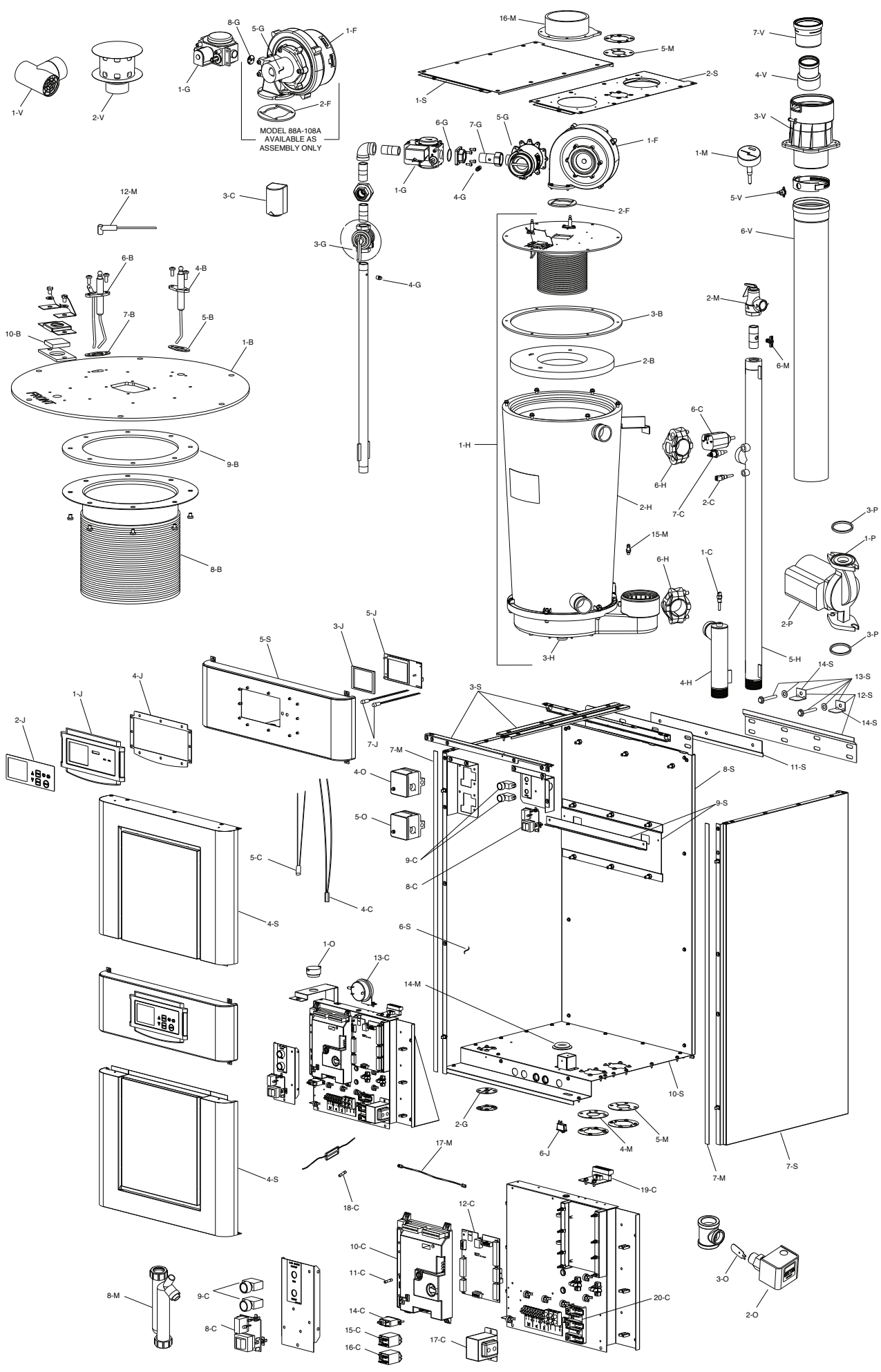
DATES OF MANUFACTURE:

10-01-14 THROUGH CURRENT



For detailed instructions, see “How to Use your Raypak Illustrated Parts List”, Catalog No. 9001.10

Raypak®
A Rheem® Company



CALL OUT	DESCRIPTION	88AR	108AR	198AR	278AR	398A
B	BURNER ASSEMBLY					
1-B	Combustion Chamber Top	015207F	015207F	015208F	015269F	015209F
2-B	Refractory Combustion Chamber Top	015169F	015169F	015170F	015170F	015171F
3-B	Seal Gasket	015172F	015172F	015173F	015173F	015174F
4-B	Flame Sensor Probe	013163F	013163F	013163F	013163F	013163F
5-B	Flame Sensor Gasket	013168F	013168F	013168F	013168F	013168F
6-B	Igniter	013166F	013166F	013166F	013166F	013166F
7-B	Igniter Gasket	013168F	013168F	013168F	013168F	013168F
8-B	Burner	015175F	015175F	015176F	015176F	015177F
9-B	Burner Seal Gasket	015210F	015210F	015211F	015211F	015212F
10-B	Window Combustion Chamber	006947F	006947F	006947F	006947F	006947F
C	CONTROLS					
1-C	Inlet Sensor (2 Wire)	013175F	013175F	013175F	013175F	013175F
2-C	Outlet/Limit Sensor (4 Wire)	013932F	013932F	013932F	013932F	013932F
3-C	Sensor Outdoor Air B-32	010786F	010786F	010786F	010786F	010786F
4-C	Sensor Water 10K	010787F	010787F	010787F	010787F	010787F
5-C	Sensor Water (Temp-Tracker) B-36 thru B-38	012187F	012187F	012187F	012187F	012187F
6-C	Low Water Cut-Off	015178F	015178F	015178F	015178F	N/A
7-C	Remote Sensor LWCO (Optional on Models 88AR-278AR)	013238F	013238F	013238F	013238F	013238F
8-C	Control PC Board LWCO (Optional on Models 88AR-278AR)	015999F	015999F	015999F	015999F	015999F
9-C	Test / Reset Switch LWCO (Optional on Models 88AR-278AR)	016001F	016001F	016001F	016001F	016001F
10-C	PIM (Platform Ignition Module) Multi Try	013933F	013933F	013933F	013933F	013933F
	PIM (Platform Ignition Module) Single Try CSD-1	013934F	013934F	013934F	013934F	013934F
11-C	Fuse 5 Amp (Fast Acting)	013971F	013971F	013971F	013971F	013971F
12-C	PC Board VERSA IC	013935F	013935F	013935F	013935F	013935F
13-C	Blocked Vent Pressure Switch	011862F	011862F	011862F	011862F	011862F
14-C	Pump Relay 120VAC	012126F	012126F	012126F	012126F	012126F
15-C	Relay #1 24VAC	011720F	011720F	011720F	011720F	011720F
16-C	Relay #2 120VAC	013243F	013243F	013243F	013243F	013243F
17-C	Transformer 50 VA	006533F	006533F	006533F	006533F	006533F
18-C	Fuse 5 Amp (Pump) (Slow Blow)	013972F	013972F	013972F	013972F	013972F
19-C	PC Board Adapter Status Lights Wiring	014712F	014712F	014712F	014712F	014712F
20-C	Power Terminal Block	008523F	008523F	008523F	008523F	008523F
J	CONTROLS (Up Front)					
1-J	Control Bezel	015179F	015179F	015179F	015179F	015179F
2-J	Switch/Decal Membrane	015180F	015180F	015180F	015180F	015180F
3-J	Gasket LCD Window Gasket	013938F	013938F	013938F	013938F	013938F
4-J	Bezel Gasket	015181F	015181F	015181F	015181F	015181F
5-J	LCD Display PC Board	013939F	013939F	013939F	013939F	013939F
6-J	On/Off Switch	009493F	009493F	009493F	009493F	009493F
7-J	Indicator Lamp LED	015213F	015213F	015213F	015213F	015213F
F	FAN					
1-F	Blower Combustion Air	015214F	015215F	015182F	015183F	015183F
2-F	Blower Gasket	015184F	015184F	015184F	015184F	015184F
G	GAS TRAIN					
1-G	Gas Valve 24V Sea Level	015434F	015434F	013942F	013942F	013942F
2-G	Gas Seal Gasket	015216F	015216F	015217F	015217F	015217F
3-G	Manual "A" On/Off Valve	006543F	006543F	007421F	007421F	007421F
4-G	Bleedle Valve 1/8 MPT	N/A	N/A	007423F	007423F	007423F
5-G	Venturi					
	Natural Gas	015214F	015215F	015414F	015415F	015416F
	Propane Gas	015214F	015215F	015417F	015418F	015419F
6-G	Adapter O Ring	N/A	N/A	014089F	014089F	014089F
7-G	Adapter Gas Line 3/4" NPT (Includes Gasket)	N/A	N/A	015218F	015218F	015218F
8-G	Orifice Natural Gas	N/A	N/A	N/A	N/A	N/A
	Orifice Propane Gas	015420F	015420F	N/A	N/A	N/A
H	HEAT TRANSFER					
1-H	Heat Engine (Complete with Burner and Sensors)					
	Units manufactured prior to 03/01/18	015219F	015220F	015221F	015222F	017033F
	Units manufactured from 03/01/18	015219F	015220F	015221F	015222F	017027F
2-H	Chamber Assy					
	Units manufactured prior to 03/01/18	015224F	015225F	015226F	015227F	017034F
	Units manufactured from 03/01/18	015224F	015225F	015226F	015227F	017028F
3-H	Condensate Tray					
	Units manufactured prior to 03/01/18	015229F	015229F	015230F	015230F	017034F
	Units manufactured from 03/01/18	015229F	015229F	015230F	015230F	017028F
4-H	Plumbing Assy Inlet	015185F	015185F	015186F	015186F	015187F
5-H	Plumbing Assy Outlet	015188F	015188F	015189F	015189F	015190F
6-H	Pipe Coupling Grooved Joint	015232F	015232F	015233F	015233F	015234F

CALL OUT	DESCRIPTION	88AR	108AR	198AR	278AR	398A
M	MISCELLANEOUS COMPONENTS					
1-M	T & P Gauge	007205F	007205F	007205F	007205F	007205F
2-M	PRV 30 PSI	007470F	007470F	007470F	007470F	007470F
	PRV 45 PSI	007220F	007220F	007220F	007220F	007220F
	PRV 60 PSI	007222F	007222F	007222F	007222F	007222F
3-M	Clear Silicone Sealant 10 oz	015421F	015421F	015421F	015421F	015421F
4-M	Inlet Water Seal Gasket	015192F	015192F	015193F	015193F	015194F
5-M	Outlet Water Seal Gasket	015195F	015195F	015196F	015196F	015197F
6-M	Air Bleed Fitting	013793F	013793F	013793F	013793F	013793F
7-M	Cabinet Seal Gasket (10 Ft)	015235F	015235F	015235F	015235F	015235F
8-M	Condensate Trap	015198F	015198F	015198F	015198F	015198F
9-M	Condensate Neutralizer (Not Shown)	013141	013141	013141	015199	015199
10-M	Touch-up Paint					
	Cool Dark Gray	750256	750256	750256	750256	750256
	Warm Dark Gray	750258	750258	750258	750258	750258
11-M	Wire Harness Cabinet (Not Shown)	015422F	015422F	015423F	015423F	015424F
12-M	Spark Cable High Tension Harness	015200F	015200F	015200F	015200F	015200F
13-M	Gas Valve Harness	015425F	015425F	015499F	015499F	015499F
17-M	Versa IC Communication Cable	015556F	015556F	015556F	015556F	015556F
14-M	Condensate Discharge Grommet	010778F	010778F	010778F	010778F	010778F
15-M	Barbed Sample Connector	013433F	013433F	013433F	013433F	013433F
16-M	Intake Air Adapter	015202F	015202F	015202F	015202F	015203F
18-M	Heater Template (Not Shown)	016171F	016171F	016172F	016172F	016173F
O	OPTIONS					
1-O	Alarm Buzzer 24V	005640F	005640F	005640F	005640F	005640F
2-O	Flow Switch	007142F	007142F	007142F	007142F	007142F
3-O	Flow Switch Paddle (Taco)	010026F	010026F	010026F	010026F	010026F
4-O	Switch Low Gas Pressure (Optional)	N/A	N/A	007187F	007187F	007187F
5-O	Switch High Gas Pressure (Optional)	N/A	N/A	007188F	007188F	007188F
P	PUMPS*					
1-P	Pump Inline CIBF (Non-Ferrous)	004251F	004251F	015426F	015427F	015427F
	Pump Inline SS	015428F	015428F	015429F	012912F	012912F
2-P	Pump Cartridge	951116F	951116F	951154F	016480F	016480F
3-P	Pump Flange Gasket	015201F	015201F	015201F	008747F	008747F
S	SHEET METAL					
1-S	Jacket Top Side Left	015236F	015236F	015237F	015237F	015238F
2-S	Jacket Top Side Right					
	Units manufactured prior to 03/01/18	015239F	015239F	015240F	015240F	015241F
	Units manufactured from 03/01/18	015239F	015239F	015240F	015240F	017042F
3-S	Upper Cabinet Supports	015242F	015242F	015243F	015243F	015244F
4-S	Door Panel (Upper & Lower)	015245F	015245F	015246F	015246F	015247F
5-S	Control Bezel Mtg Panel	015248F	015248F	015249F	015249F	015250F
6-S	Jacket Side Panel Left	015251F	015251F	015252F	015252F	015253F
7-S	Jacket Side Panel Right	015254F	015254F	015255F	015255F	015256F
8-S	Jacket Rear Panel	015257F	015257F	015258F	015258F	015259F
9-S	Combustion Chamber Mounting Bracket	015260F	015260F	015261F	015261F	015262F
10-S	Base Panel	015263F	015263F	015264F	015264F	015265F
11-S	Boiler Hanging Bracket	015266F	015266F	015267F	015267F	015268F
12-S	Wall Hanging Bracket	015437F	015437F	015437F	015437F	015438F
13-S	Mounting Bracket, Screws, and Washers	016170F	016170F	016170F	016170F	016170F
14-S	Wall Mounting Bracket	016174F	016174F	016174F	016174F	016175F
V	VENTING					
1-V	Outdoor Vent Termination Tee (Stainless Steel)					
	3" Venting	015360	015360	015360	015360	015360
	4" Venting	N/A	N/A	N/A	N/A	015361
2-V	Vent Termination Cap Horizontal or Vertical Rain Cap (Stainless Steel)					
	3" Venting	015329	015329	015329	015329	015329
	4" Venting	N/A	N/A	N/A	N/A	015330
3-V	Flue Exhaust Universal Adapter (Standard)	015435F	015435F	015435F	015435F	015436F
4-V	Flue Exhaust Reducer for Polypropylene Venting					
	3" Venting to 2" Venting Duravent	015368	N/A	N/A	N/A	N/A
	4" Venting to 3" Venting Duravent	N/A	N/A	N/A	N/A	015369
	3" Venting to 2" Venting Centrotherm	016265	N/A	N/A	N/A	N/A
	4" Venting to 3" Venting Centrotherm	N/A	N/A	N/A	N/A	016266
7-V	Flue Exhaust Adapter Appliance to Centrotherm Polypro Venting					
	2" Venting	016262	N/A	N/A	N/A	N/A
	3" Venting	016263	016263	016263	016263	016263
	4" Venting	N/A	N/A	N/A	N/A	016264
5-V	Vent Limit Switch Manual Reset for CPVC/PVC	013429F	013429F	013429F	013429F	013429F
	Vent Limit Switch Manual Reset for Polypropylene Venting	017043F	017043F	017043F	017043F	017043F
6-V	Flue Exhaust Connection Pipe					
	Units manufactured prior to 03/01/18	015431F	015431F	015432F	015432F	015433F
	Units manufactured from 03/01/18	015431F	015431F	015432F	015432F	017029F

* For individual pump parts see separate pump parts IPL 9300.100

CONVERSION KITS**						
Nat. to Pro.	015420F	015420F	015401	015402	015403	
Pro. to Nat.	N/A	N/A	015404	015405	015406	

**Gas Conversions are to be done only by a qualified agency.
For gas conversions, consult the factory.



Registered Quality Management System
www.raypak.com