

RAYPAK ILLUSTRATED PARTS LIST

MODEL SIZE: 188 & 208

MODEL TYPE: DV & X, NATURAL GAS & LP

DATE OF MANUFACTURE: 05-01-2011 THRU 12-31-16

THE PARTS LISTED ARE FOR STANDARD EQUIPMENT FOR THIS MODEL TYPE. RAYPAK RESERVES THE RIGHT TO SUBSTITUTE, DELETE OR CHANGE ANY PART WITHOUT NOTIFICATION. THE ADDITION OF OPTIONS MAY ALSO CHANGE SOME OF THE PARTS. ORDER REPLACEMENT PARTS FROM ACTUAL HEATER COMPONENTS.

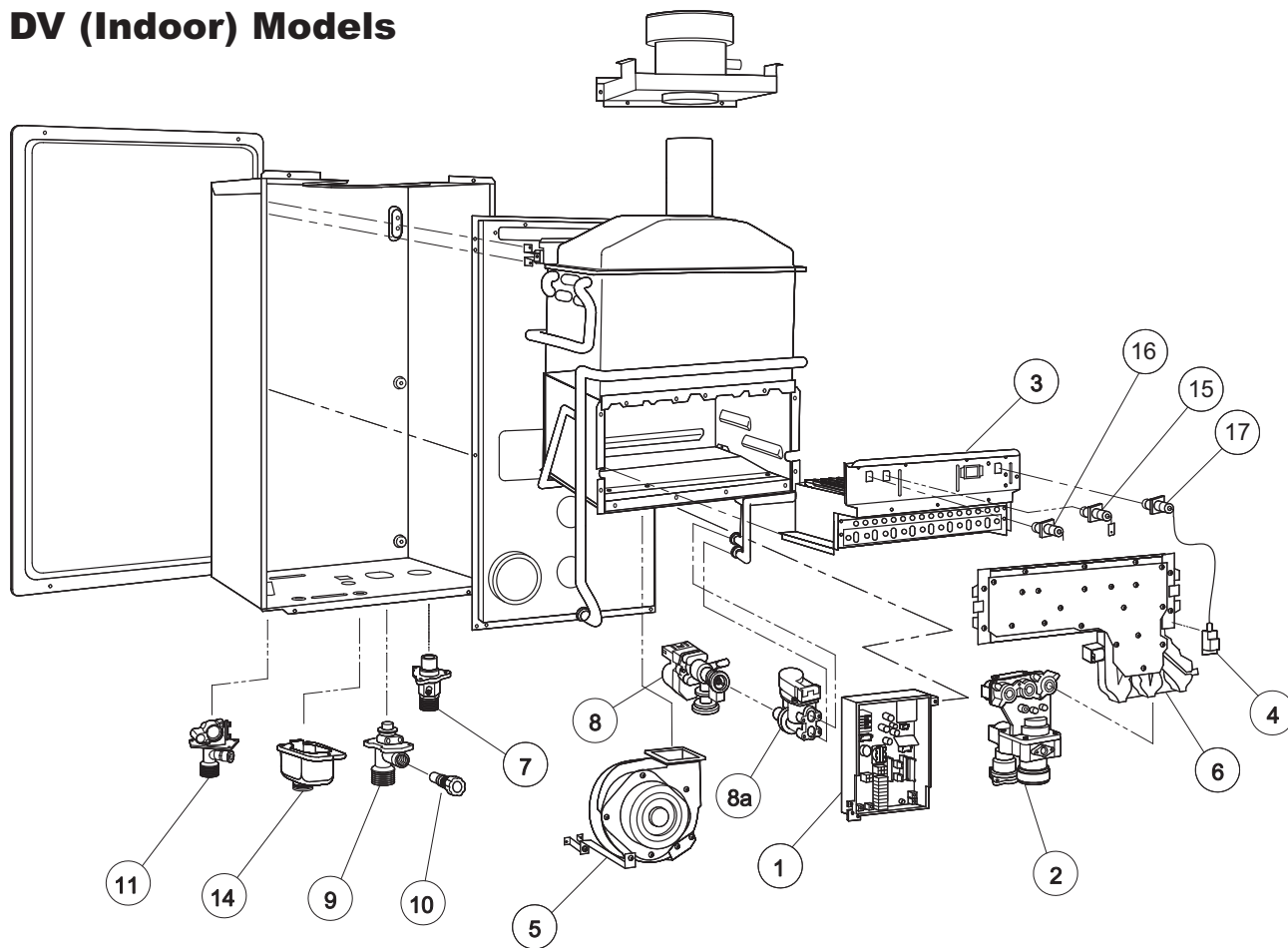


FOR DETAILED INSTRUCTIONS, SEE "HOW TO USE YOUR RAYPAK ILLUSTRATED PARTS LIST",
CATALOG NO. 9001.10



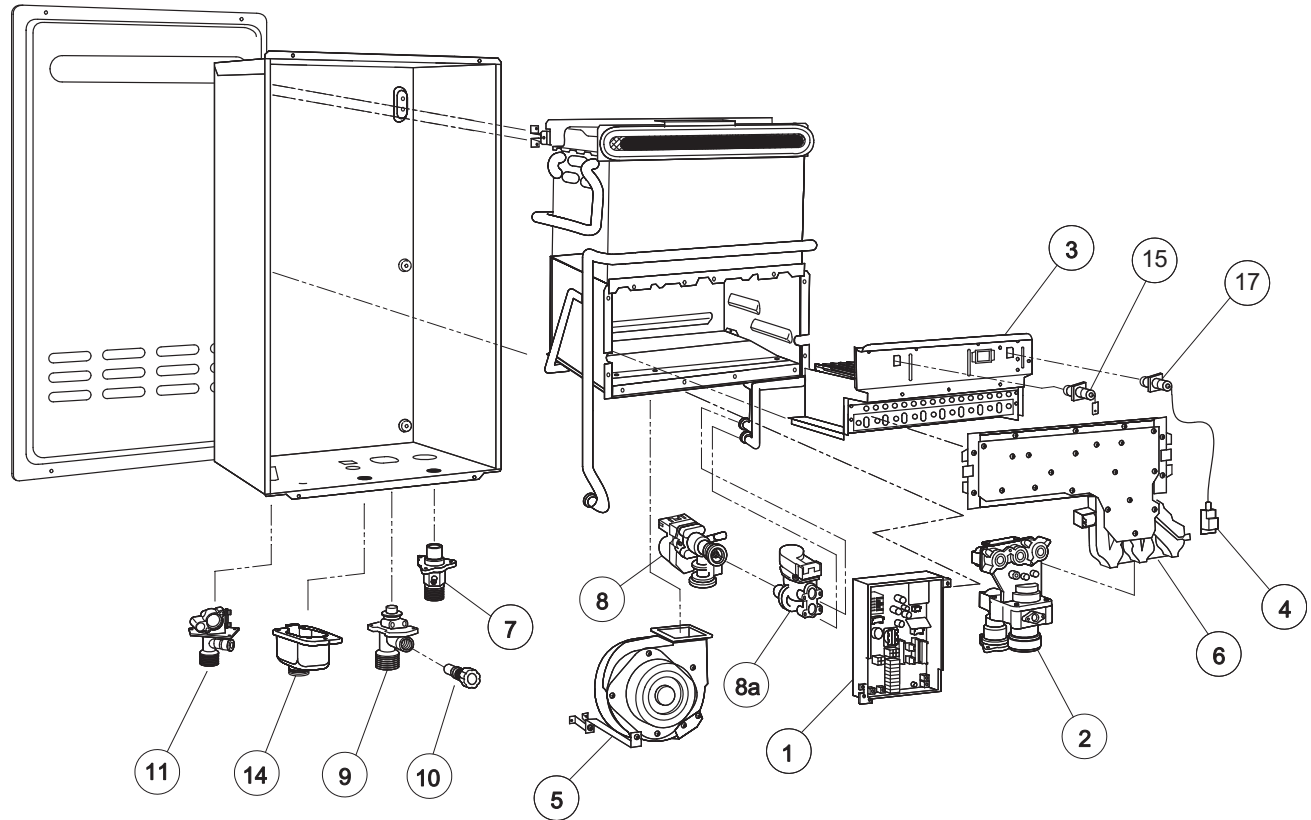
Raypak, Inc., 2151 Eastman Avenue, Oxnard, CA 93030
(805) 278-5300 Fax (800) 872-9725
Litho In U.S.A.

DV (Indoor) Models



CALL OUT	DESCRIPTION	188DV/208DV
1	Control Board	013553F
Not Shown	Thermistor Assembly (Blue)	013554F
Not Shown	Thermistor Assembly	013555F
Not Shown	Inlet Thermistor-White	013556F
Not Shown	Outlet Thermistor-Black	013557F
2	Gas Valve Assy	013558F
3	Burner Assembly	013559F
6	Burner Manifold-NAT	013560F
6	Burner Manifold-PRO	013561F
15	Flame Rod "FL" (Right)	013562F
Not Shown	Gas Control Resistor	013563F
16	Flame Rod "Sensor" Left	013564F
Not Shown	Flame Rod Wire Harness	013565F
Not Shown	Flame Rod Connector	013566F
4	Igniter Coil	013567F
17	Igniter Rod (Right)	013568F
5	Blower Motor	013569F
Not Shown	Blower Case	013570F
7	Gas Inlet Connector 3/4"	013571F
8	Water Control Valve	013572F
8a	Water Bypass Valve	013573F
9	Water Inlet Connector 3/4"	013574F
11	Hot Water Outlet Connector 3/4"	013575F
14	Remote Control Terminal Housing	013576F
Not Shown	Remote Control Terminal Block	013577F
10	Drain Relief Valve	013578F
Not Shown	Top Mounting Bracket	013579F
Not Shown	Bottom Mounting Bracket	013580F
Not Shown	Screw Pan FT 4 X 12	013581F

X (Outdoor) Models



CALL OUT	DESCRIPTION	188X/208X
1	Control Board	013582F
Not Shown	Thermistor Assembly	013555F
Not Shown	Outlet Thermistor-Black	013557F
Not Shown	Inlet Thermistor-White	013556F
Not Shown	Ambient Thermistor-Blue	013583F
2	Gas Valve Assy	013584F
Not Shown	Gas Control Resistor	013563F
3	Burner Assembly	013585F
15	Flame Rod "FL" Right	013562F
17	Igniter Rod (Right)	013568F
Not Shown	Flame Rod Connector	013566F
4	Igniter Coil	013567F
5	Blower Motor	013586F
Not Shown	Blower Case	013587F
6	Burner Manifold-NAT	013588F
6	Burner Manifold-PRO	013561F
7	Gas Inlet Connector 3/4"	013571F
8	Water Control Valve	031572F
8a	Water Bypass Valve	013573F
9	Water Inlet Connector 3/4"	013574F
10	Drain Relief Valve	013589F
11	Hot Water Outlet Connector 3/4"	013575F
14	Remote Control Terminal Housing	013576F
Not Shown	Remote Control Terminal Block	013577F
Not Shown	Screw Pan FT 4 X 12	013581F



www.raypak.com