

COMMERCIAL
MODELS: 181-401, 182-400

CATALOG NO. 9300.203
Effective: 01-01-19
Replaces: 06-15-16

RAYPAK ILLUSTRATED PARTS LIST

MODEL SIZES: 182, 260, 330, 400 ATMOSPHERIC
181, 261, 331, 401 LOW NO_x

MODEL TYPES: H AND WH

DATES OF MANUFACTURE: 10-17-00 THRU CURRENT
MODELS H1, H5 & W2 FOR SIZES 182 & 260 - 10-17-00 THRU 8-31-12

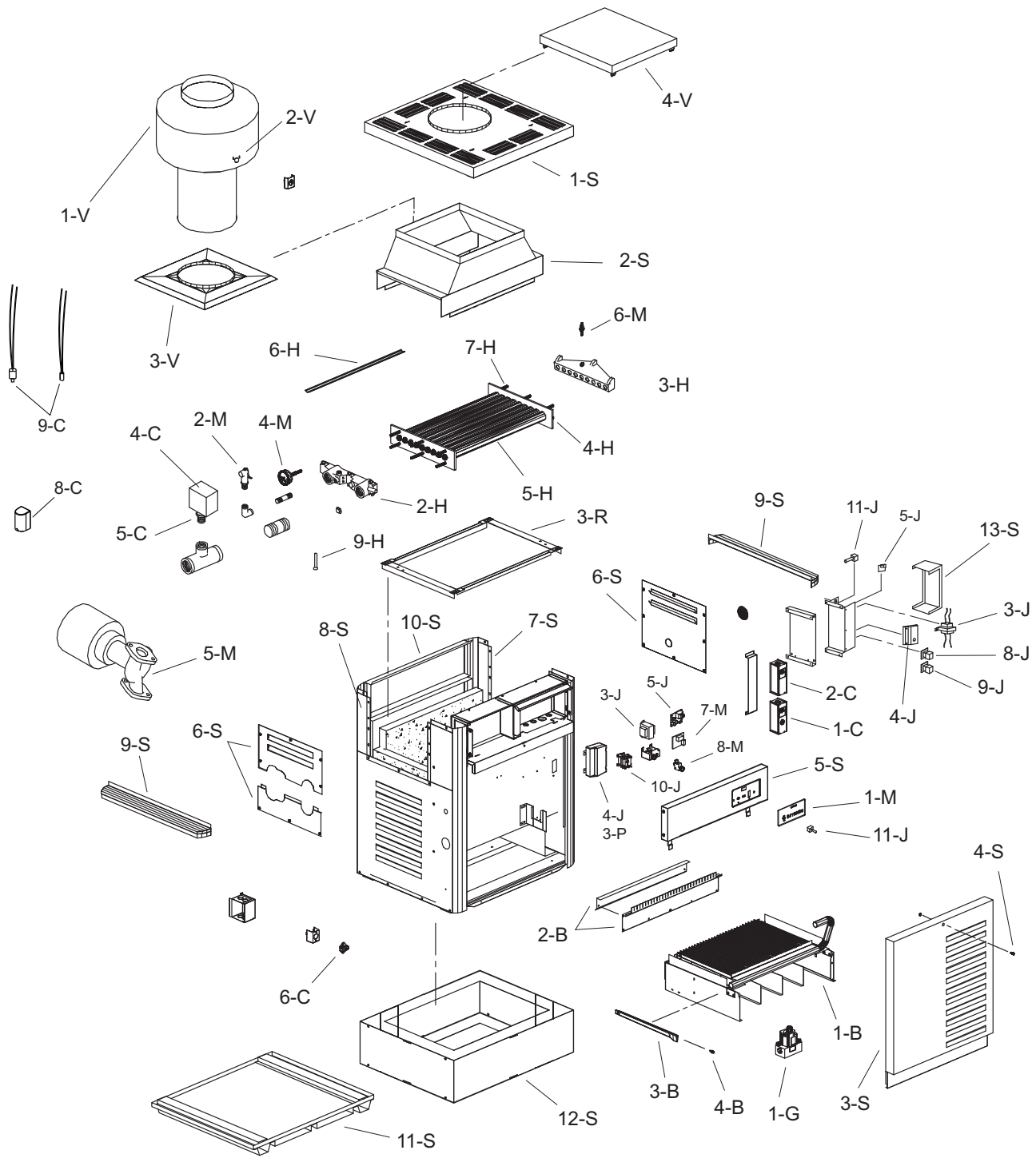
THE PARTS LISTED ARE FOR STANDARD EQUIPMENT FOR THIS MODEL TYPE. RAYPAK RESERVES THE RIGHT TO SUBSTITUTE, DELETE OR CHANGE ANY PART WITHOUT NOTIFICATION. THE ADDITION OF OPTIONS MAY ALSO CHANGE SOME OF THE PARTS. ORDER REPLACEMENT PARTS FROM ACTUAL HEATER COMPONENTS.

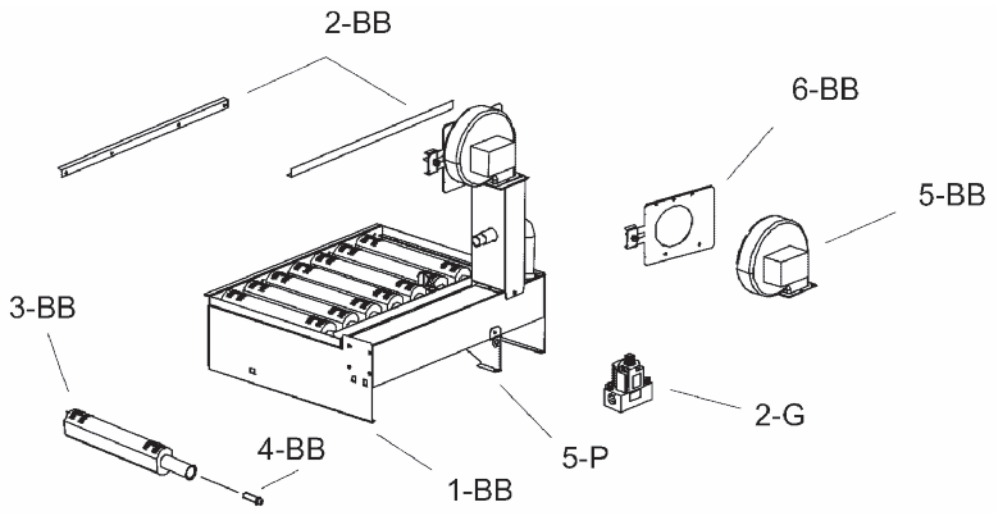


FOR DETAILED INSTRUCTIONS, SEE "HOW TO USE YOUR RAYPAK ILLUSTRATED PARTS LIST",
CATALOG NO. 9001.10

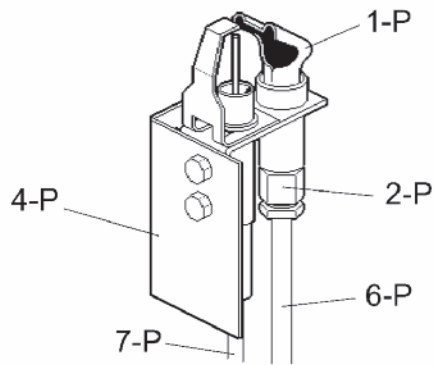


Raypak, Inc., 2151 Eastman Avenue, Oxnard, CA 93030
(805) 278-5300 Fax (800) 872-9725
Litho In U.S.A.
Part No. 241076





FOR UNITS WITH A LOW NO_x BURNER TRAY



HONEYWELL IID PILOT ASSEMBLY

| CALL OUT | DESCRIPTION | 182/181 | 260/261 | 330/331 | 400/401 |
|-----------|--|--|------------|------------|------------|
| B | BURNER TRAY (Atmospheric)*** | 182 | 260 | 330 | 400 |
| 1-B | Burner Tray w/Burners (Sea Level)* | 005213F | 005214F | 005215F | 008131F |
| | Burner Tray w/o Burner (Sea Level)* | 005217F | 005218F | 005219F | 008132F |
| 2-B | Burner Spacer/Hold Down Kit | 005237F | 005238F | 005239F | 005240F |
| 3-B | Burner | 301210/13 | 301210/19 | 301210/24 | 301210/29 |
| 4-B | Burner Orifice Nat. #51 (Sea Level)* | 350080F/13 | 350080F/19 | 350080F/24 | 350080F/29 |
| | Burner Orifice Pro. #57 (Sea Level)* | 350083F/13 | 350083F/19 | 350083F/24 | 350083F/29 |
| 5-B | Burner Tray w/o Manifold and Burners | 005265F | 005266F | 005267F | 005268F |
| BB | BURNER TRAY (Fan Assisted Low Nox)** | 181 | 261 | 331 | 401 |
| 1-BB | Burner Tray w/Burners (Sea Level)* | 007994F | 007995F | 007996F | 007997F |
| | Burner Tray w/ Burner 2 Stage (Sea Level)* | 009042F | 009043F | 009044F | 009045F |
| | Burner Tray w/o Burner (Sea Level)* | 007998F | 007999F | 008000F | 008001F |
| | Burner Tray w/o Burner 2 Stage (Sea Level)* | 009046F | 009047F | 009048F | 009049F |
| 2-BB | Burner Hold Down Kit | 008002F | 008003F | 008004F | 008005F |
| 3-BB | Burner | 017044F/3 | 017044F/5 | 017044F/6 | 017044F/7 |
| 4-BB | Burner Orifice Nat. #30 (0-5000 ft)** | 351510/3 | 351510/5 | 351510/6 | 351510/7 |
| | Burner Orifice Nat. #31 (Above 5000 ft)** | 351523/3 | 351523/5 | 351523/6 | 351523/7 |
| 5-BB | Blower | 008080F | 008080F | 008080F | 008080F |
| 6-BB | Air Shutter On/Off | 008133F | 008134F | 008134F | 008134F |
| | Air Shutter 2 Stage | 008133F | 009040F | 009040F | 009041F |
| C | CONTROLS | | | | |
| 1-C | Manual Reset Adjustable High Limit 240°F Max | 007144F | 007144F | 007144F | 007144F |
| | Manual Reset Adjustable High Limit 200°F Max | 008081F | 008081F | 008081F | 008081F |
| 2-C | Auto Reset Adjustable High Limit 240°F Max | 007141F | 007141F | 007141F | 007141F |
| | Auto Reset Adjustable High Limit 200°F Max | 012546F | 012546F | 012546F | 012546F |
| | Auto Reset Adjustable High Limit 180°F Max | 006445F | 006445F | 006445F | 006445F |
| 3-C | Controller 2 Stage B-6 | 007392F | 007392F | 007392F | 007392F |
| | Controller 2 Stage B-8 (W3 & WH3) | 006760F | 006760F | 006760F | 006760F |
| | Controller 4 Stage B-10 Digital (Use New #) | N/A | N/A | N/A | N/A |
| | Controller 4 Stage B-10 Digital Retrofit to B-21 | 014284F | 014284F | 014284F | 014284F |
| | Controller 2 Stage (B-26 / B-27) Digital | 009861F | 009861F | 009861F | 009861F |
| | Controller 4 Stage (B-21 / B-23) Digital | 009862F | 009862F | 009862F | 009862F |
| 7-C | Controller 2 Stage w/ Outdoor Reset B-42 | 014279F | 014279F | 014279F | 014279F |
| 8-C | Sensor Outdoor Air B-32 | 010786F | 010786F | 010786F | 010786F |
| 9-C | Sensor Water | | | | |
| | Sensor Water System (Tekmar) | 010787F | 010787F | 010787F | 010787F |
| | Sensor Water screw-In Outlet (Tekmar) | 011861F | 011861F | 011861F | 011861F |
| 4-C | Flow Switch | 007142F | 007142F | 007142F | 007142F |
| 5-C | Flow Switch Paddle (McDonnell Miller) | 004079F | 004079F | 004079F | 004079F |
| | Flow Switch Paddle (Taco) | 010026F | 010026F | 010026F | 010026F |
| 6-C | Flame Roll-Out Sensor | 006035F | 006035F | 006035F | 006035F |
| G | GAS VALVE | SEE GAS VALVE REPLACEMENT CHART | | | |
| H | HEAT EXCHANGER | | | | |
| 1-H | Heat Exchanger Assy Cast Iron | 008006F | 008007F | 008008F | 008009F |
| | Heat Exchanger Assy Brass | 008010F | 008011F | 008012F | 008013F |
| | Heat Exchanger Assy Cast Iron Cupro Nickel | 008014F | 008015F | 008016F | 008017F |
| | Heat Exchanger Assy Brass Cupro Nickel | 008018F | 008019F | 008020F | 008021F |
| 2-H | Inlet/Outlet Header Cast Iron | 002040F | 002040F | 002040F | 002040F |
| | Inlet/Outlet Header Brass | 002041F | 002041F | 002041F | 002041F |
| 3-H | Return Header Cast Iron | 002042F | 002042F | 002042F | 002042F |
| | Return Header Brass | 002043F | 002043F | 002043F | 002043F |
| 4-H | Tube Bundle | 008022F | 008023F | 008024F | 008025F |
| | Tube Bundle Cupro Nickel | 008026F | 008027F | 008028F | 008029F |
| 5-H | Heat Exchange Tube | 008030F | 008031F | 008032F | 008033F |
| | Heat Exchange Tube Cupro Nickel | 008034F | 008035F | 008036F | 008037F |
| 6-H | Baffle Kit | 008038F | 008039F | 008040F | 008041F |
| 7-H | Stud Bolt Kit | 007870F | 007870F | 007870F | 007870F |
| 8-H | Header Gasket | 800203B | 800203B | 800203B | 800203B |
| 9-H | Sensor Well | 007211F | 007211F | 007211F | 007211F |
| 10-H | Well Retaining Clip | 300203 | 300203 | 300203 | 300203 |

*FOR ALTITUDES ABOVE 2,000 FEET LEVEL, CONSULT THE FACTORY

**FOR INSTALLATIONS OVER 5000 FEET ABOVE SEA LEVEL, CONSULT THE FACTORY

***REPLACEMENT BURNER TRAYS ARE BUILT FOR SEA LEVEL, NATURAL GAS APPLICATIONS UNLESS OTHERWISE SPECIFIED AT THE TIME THE ORDER IS PLACED.

| CALL OUT | DESCRIPTION | 182/181 | 260/261 | 330/331 | 400/401 |
|----------|---|------------|------------|------------|------------|
| J | CONTROL BOX (Atmospheric) | 182 | 260 | 330 | 400 |
| 1-J | Control Box IID/TTD (Not Shown) | | | | |
| | Water Heater Rated Units | 008042F | 008043F | 008044F | 008045F |
| | Boiler Rated Units manufactured prior to 9/1/12 | 008042F | 008043F | 008044F | 008045F |
| | Boiler Rated Units manufactured from 9/1/12 | 014296F | 014297F | 008044F | 008045F |
| | Control Box IID/TTD (H3) (Not Shown) | | | | |
| | Boiler Rated Units manufactured from 9/1/12 | 015947F | 015948F | N/A | N/A |
| | Control Box Lock/TTD (Not Shown) | | | | |
| | Water Heater Rated Units | 008051F | 008052F | 008053F | 008054F |
| | Boiler Rated Units manufactured prior to 9/1/12 | 008051F | 008052F | 008053F | 008054F |
| | Boiler Rated Units manufactured from 9/1/12 | 014298F | 014299F | 008053F | 008054F |
| | Control Box Lock/TTD (H3, W3 & WH3) (Not Shown) | | | | |
| | Water Heater Rated Units | 008055F | 008056F | 008057F | 008058F |
| | Boiler Rated Units manufactured prior to 9/1/12 | 008055F | 008056F | 008057F | 008058F |
| | Boiler Rated Units manufactured from 9/1/12 | 014300F | 014301F | 008057F | 008058F |
| 2-J | Control Box C2A/TTD | N/A | N/A | N/A | N/A |
| 3-J | Transformer 120/24V 50VA | 006533F | 006533F | 006533F | 006533F |
| 4-J | Ignition Control IID | 004817B | 004817B | 004817B | 004817B |
| | Ignition Control Lock. IID | 004818B | 004818B | 004818B | 004818B |
| | Ignition Control IID/Damper | 005017F | 005017F | N/A | N/A |
| | Ignition Control Lock/Damper | 004935F | 004935F | N/A | N/A |
| | Ignition Control C2A | 007359F | 007359F | 007359F | 007359F |
| 12-J | Base Ignition Control | 008701F | 008701F | 008701F | 008701F |
| 13-J | Remote Keyboard Display Module C2A (Not Shown) | 015399F | 015399F | 015399F | 015399F |
| 5-J | Economaster II Control | 004675F | 004675F | 004675F | 004675F |
| 6-J | Amplifier Flame Rectification C2A (Not Shown) | 008092F | 008092F | 008092F | 008092F |
| 7-J | Spark Generator C2A (Not Shown) | 007361F | 007361F | 007361F | 007361F |
| 8-J | Relay SPST 24V Coil C2A | 007377F | 007377F | 007377F | 007377F |
| 9-J | Relay SPDT 120V Coil C2A | 008145F | 008145F | 008145F | 008145F |
| | Relay DPDT 120V NO/NC | 013243F | 013243F | 013243F | 013243F |
| 11-J | Toggle Switch | 008079F | 008079F | 008079F | 008079F |
| J | CONTROL BOX (Fan Assisted Low Nox) | 181 | 261 | 331 | 401 |
| 1-J | Control Box IID On/Off (Not Shown) | | | | |
| | Water Heater Rated Units | 008103F | 008104F | 008105F | 008106F |
| | Boiler Rated Units manufactured prior to 9/1/12 | 008103F | 008104F | 008105F | 008106F |
| | Boiler Rated Units manufactured from 9/1/12 | 014302F | 014303F | 008105F | 008106F |
| | Control Box IID Two Stage (Not Shown) | | | | |
| | Water Heater Rated Units | 008107F | 008108F | 008109F | 008110F |
| | Boiler Rated Units manufactured prior to 9/1/12 | 008107F | 008108F | 008109F | 008110F |
| | Boiler Rated Units manufactured from 9/1/12 | 014304F | 014305F | 008109F | 008110F |
| 2-J | Control Box C2A/TTD | N/A | N/A | N/A | N/A |
| 3-J | Transformer 50VA | 006533F | 006533F | 006533F | 006533F |
| 4-J | Ignition Control IID | 004817B | 004817B | 004817B | 004817B |
| | Ignition Control Lock. IID | 004818B | 004818B | 004818B | 004818B |
| | Ignition Control IID/Damper | 005017F | 005017F | N/A | N/A |
| | Ignition Control Lock/Damper | 004935F | 004935F | N/A | N/A |
| | Ignition Control C2A | 007359F | 007359F | 007359F | 007359F |
| 5-J | Economaster II Control | 004675F | 004675F | 004675F | 004675F |
| 6-J | Amplifier Flame Rectification C2A (Not Shown) | 008092F | 008092F | 008092F | 008092F |
| 7-J | Spark Generator C2A (Not Shown) | 007361F | 007361F | 007361F | 007361F |
| 8-J | Relay SPST 24V Coil C2A | 007377F | 007377F | 007377F | 007377F |
| 9-J | Relay SPDT 120V Coil C2A | 008145F | 008145F | 008145F | 008145F |
| | Relay DPDT 120V NO/NC | 013243F | 013243F | 013243F | 013243F |
| 10-J | Relay Low Nox Blower | 008784F | 008784F | 008784F | 008784F |
| | Relay-10 Second Delay 2 Stage (Not Shown) | 007378F | 007378F | 007378F | 007378F |
| 11-J | Toggle Switch | 008079F | 008079F | 008079F | 008079F |

| CALL OUT | DESCRIPTION | 182/181 | 260/261 | 330/331 | 400/401 |
|----------|--|---------|---------|---------|---------|
| M | MISCELLANEOUS COMPONENTS | | | | |
| 1-M | Switch Plate IID | 901613 | 901613 | 901613 | 901613 |
| 2-M | PRV 30 PSI | 007217F | 007217F | 007217F | 007217F |
| | PRV 45 PSI | 007220F | 007220F | 007220F | 007220F |
| | PRV 60 PSI | 007222F | 007222F | 007222F | 007222F |
| | PRV 75 PSI | 007223F | 007223F | 007223F | 007223F |
| | PRV 125 PSI | 008091F | 007224F | 007224F | 007224F |
| | PRV 150 PSI | 007225F | 007225F | 007225F | 007225F |
| 3-M | Delimiting Kit | 052871F | 052871F | 052871F | 052871F |
| 4-M | T & P Gauge 0-90 PSI | 007205F | 007205F | 007205F | 007205F |
| | T & P Gauge 0-200 PSI | 007399F | 007399F | 007399F | 007399F |
| | T & P Gauge 0-230 PSI | 014221F | 014221F | 014221F | 014221F |
| 5-M | Pump CIBF | 013426F | 013426F | 013426F | 013426F |
| | Pump Stainless/Brass | 012912F | 012912F | 012912F | 012912F |
| 9-M | Pump Cartridge | 016480F | 016480F | 016480F | 016480F |
| 6-M | Remote Sensor for Low Water Cut Off | 008063F | 008063F | 008063F | 008063F |
| 7-M | Low Water Cut Off PC Board | 007157F | 007157F | 007157F | 007157F |
| 8-M | Reset Switch for Low Water Cut Off | 005641F | 005641F | 005641F | 005641F |
| 10-M | Touch-up Paint | | | | |
| | Green | 750125 | 750125 | 750125 | 750125 |
| | Cool Dark Gray | 750256 | 750256 | 750256 | 750256 |
| | Warm Dark Gray | 750258 | 750258 | 750258 | 750258 |
| P | PILOT | | | | |
| 1-P | Pilot Nat. IID Atmospheric | 002003F | 002003F | 002003F | 002003F |
| | Pilot Pro. IID Atmospheric | 002003F | 002003F | 002003F | 002003F |
| | Pilot Nat. IID Low Nox | 008155F | 008155F | 008155F | 008155F |
| | Pilot C2 Nat. | 002065F | 002065F | 002065F | 002065F |
| 2-P | Pilot Orifice Nat. IID .020 | 003903F | 003903F | 003903F | 003903F |
| | Pilot Orifice Pro. IID .012 | 004308F | 004308F | 004308F | 004308F |
| | Pilot Orifice Nat. C2 | 600552 | 600552 | 600552 | 600552 |
| 3-P | Ignition Control IID | 004817B | 004817B | 004817B | 004817B |
| | Ignition Control Lock. IID | 004818B | 004818B | 004818B | 004818B |
| | Ignition Control IID/Damper | 005017F | 005017F | N/A | N/A |
| | Ignition Control Lock/Damper | 004935F | 004935F | N/A | N/A |
| | Ignition Control C2A (Not Shown) | 007359F | 007359F | 007359F | 007359F |
| 4-P | Pilot Mounting Bracket IID Atmospheric | 306692 | 306692 | 306692 | 306692 |
| | Pilot Mounting Bracket C2 Atmospheric | 004668F | 004668F | 004668F | 004668F |
| 5-P | Pilot Mounting Bracket IID Low Nox | 008082F | 008082F | 008082F | 008082F |
| | Pilot Mounting Bracket C2 Low Nox | 008083F | 008083F | 008083F | 008083F |
| 6-P | Pilot Tube | 400607 | 400607 | 400607 | 400607 |
| 7-P | Hi Tension Wire w/Pilot Electrode | N/A | N/A | N/A | N/A |
| 8-P | Base Ignition Control C2 (Not Shown) | 008701F | 008701F | 008701F | 008701F |
| R | REFRACTORY | | | | |
| 1-R | Refractory Common (Left & Right) | 005282F | 005282F | 005282F | 005282F |
| 2-R | Refractory Uncommon (Front & Rear) | 005283F | 005284F | 005285F | 005286F |
| 4-R | Refractory (All) | 012192F | 012193F | 012194F | 012195F |
| 3-R | Refractory Retainer Kit | 005287F | 005288F | 005289F | 005290F |

| CALL OUT | DESCRIPTION | 182/181 | 260/261 | 330/331 | 400/401 |
|----------|--|---------|---------|---------|---------|
| S | SHEETMETAL | | | | |
| 1-S | Jacket Top (Louvered) | | | | |
| | Green | 005303F | 005304F | 005305F | 005306F |
| | Cool Dark Gray | 014222F | 014223F | 014224F | 014225F |
| 2-S | Flue Collector | 005307F | 005308F | 005309F | 005310F |
| 3-S | Door Assy. | | | | |
| | Green | 005315F | 005316F | 005317F | 005318F |
| | Warm Dark Gray | 014226F | 014227F | 014228F | 014229F |
| 4-S | Screw & Retainer | 006744F | 006744F | 006744F | 006744F |
| 5-S | Control Panel | | | | |
| | Green | 008064F | 008065F | 008066F | 008067F |
| | Warm Dark Gray | 014230F | 014231F | 014232F | 014233F |
| 6-S | Access Panel | | | | |
| | Green | 008071F | 008071F | 008071F | 008071F |
| | Cool Dark Gray | 014249F | 014249F | 014249F | 014249F |
| 7-S | Side Panel Right | | | | |
| | Green | 008068F | 008068F | 008068F | 008068F |
| | Cool Dark Gray | 014234F | 014234F | 014234F | 014234F |
| 8-S | Side Panel Left | | | | |
| | Green | 008069F | 008069F | 008069F | 008069F |
| | Cool Dark Gray | 014235F | 014235F | 014235F | 014235F |
| 9-S | Side Panel Cap | | | | |
| | Green | 008070F | 008070F | 008070F | 008070F |
| | Cool Dark Gray | 014236F | 014236F | 014236F | 014236F |
| 10-S | Rear Panel Kit (2 Pcs.) | | | | |
| | Green | 005278F | 005279F | 005280F | 005281F |
| | Cool Dark Gray | 014237F | 014238F | 014239F | 014240F |
| 11-S | Sub-Base for Combustible Flooring | 005182 | 005183 | 005184 | 005185 |
| 12-S | Outdoor Base | | | | |
| | Green | 008127 | 008128 | 008129 | 008130 |
| | Cool Dark Gray | 014241 | 014242 | 014243 | 014244 |
| 13-S | J-Box Sheet Metal C2A | 008061F | 008061F | 008061F | 008061F |
| V | VENTING | | | | |
| 1-V | Draft Hood Kit | 008084 | 008085 | 008148 | 008149 |
| 2-V | Flue Gas Spillage Temp Sensor 150° | 006021F | 006021F | N/A | N/A |
| 3-V | Stack Adapter (Includes Outer Adapter Panel) | | | | |
| | Green | 008895F | 008896F | 008897F | 008898F |
| | Cool Dark Gray | 014254F | 014255F | 014256F | 014257F |
| 4-V | "Pagoda" Top | | | | |
| | Green | 007990 | 007991 | 007992 | 007993 |
| | Cool Dark Gray | 014258 | 014259 | 014260 | 014261 |
| 5-V | Vent Damper (Not Shown) | 004711 | 004712 | N/A | N/A |

| GAS VALVES* | | PART NUMBER | H1 | | | | H5 & W2 | | | |
|-------------|--|-------------|-------------------------|------|------|------|-------------------------|------|------|------|
| | | | 182A | 260A | 330A | 400A | 182A | 260A | 330A | 400A |
| 1-G | MODULATING GAS VALVES | | | | | | | | | |
| | Valve 3/4 110-170 Nat | 006504F | | | | X | X | X | | |
| | Valve 3/4 110-170 Pro | 006506F | | | | X | X | X | | |
| | Valve 3/4 150-210 Nat | 006505F | X | X | X | | | | | |
| | Valve 3/4 150-210 Pro | 006507F | X | X | X | | | | | |
| | Valve 1" 110-170 Nat | 006508F | | | | | | | | X |
| | Valve 1" 110-170 Pro | 006510F | | | | | | | | X |
| | Valve 1" 150-210 Nat | 006509F | | | | X | | | | |
| | Valve 1" 150-210 Pro | 006511F | | | | X | | | | |
| | Solenoid Coil | 013645F | X | X | X | X | X | X | X | X |
| | AUTOMATIC GAS VALVES (Atmospheric) | | H3, W3 & WH3 | | | | H4, W1 & WH1 | | | |
| | Valve - Gas On/Off (NAT) 601210 | 003900F | | | | X | X | X | X | |
| | Valve - Gas On/Off (PRO) 601211 | 004306F | | | | X | X | X | X | |
| | Valve - Gas Two Stage 3/4" (NAT) 601134 RS | 004879F | X | X | X | | | | | |
| | Valve - Gas Two Stage 1" (NAT) 601136 RS | 004881F | | | | X | | | | |
| | Valve - Gas Two Stage 3/4" (NAT) 601870 HW | 012659F | X | X | X | X | | | | |
| | Valve - Gas Two Stage (PRO) 601135 RS | 004880F | X | X | X | X | | | | |
| | Valve - Gas Two Stage 3/4" (PRO) 601871 HW | 012660F | X | X | X | X | | | | |
| | | | H3, W3 & WH3 | | | | H4, W1 & WH1 | | | |
| 2-G | AUTOMATIC GAS VALVES (Fan Assisted Low Nox) | | 181A | 261A | 331A | 401A | 181A | 261A | 331A | 401A |
| | Valve - Gas On/Off (NAT) 601683 | 010812F | X | X | X | X | X | X | X | X |
| | Valve - Gas On/Off (Solenoid Stage 2) 601666 | 008407F | X | X | X | X | | | | |

*For gas conversions, consult the factory.



Registered Quality Management System

www.raypak.com