

APPROVED

RAYPAK ILLUSTRATED PARTS LIST

THE PARTS LISTED ARE FOR STANDARD EQUIPMENT FOR THIS MODEL TYPE. RAYPAK RESERVES THE RIGHT TO SUBSTITUTE, DELETE OR CHANGE ANY PART WITHOUT NOTIFICATION. THE ADDITION OF OPTIONS MAY ALSO CHANGE SOME OF THE PARTS. ORDER REPLACEMENT PARTS FROM ACTUAL HEATER COMPONENTS.

MODEL SIZES: 992B, 1262B, 1532B, 1802B, 2002B, 2072B & 2342B

MODEL TYPES: HI DELTA H, W, WH & P

DATES OF MANUFACTURE: 01-01-07 THROUGH 02-01-17



FOR DETAILED INSTRUCTIONS, SEE "HOW TO USE YOUR RAYPAK ILLUSTRATED PARTS LIST", CATALOG NO. 9001.10



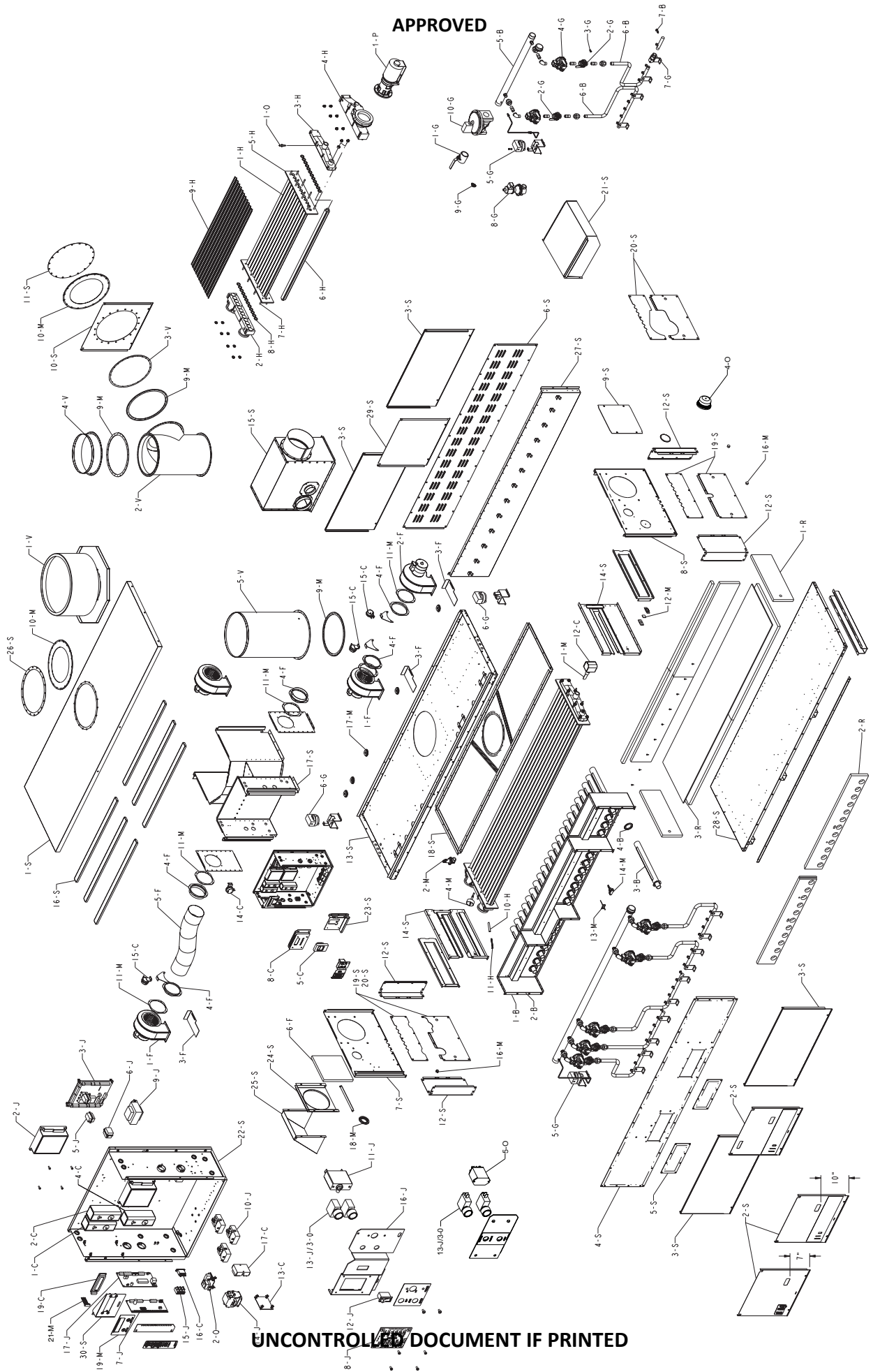
Effective: 02-26-21

Replaces: 11-01-18

P/N: 241306 Rev. 2

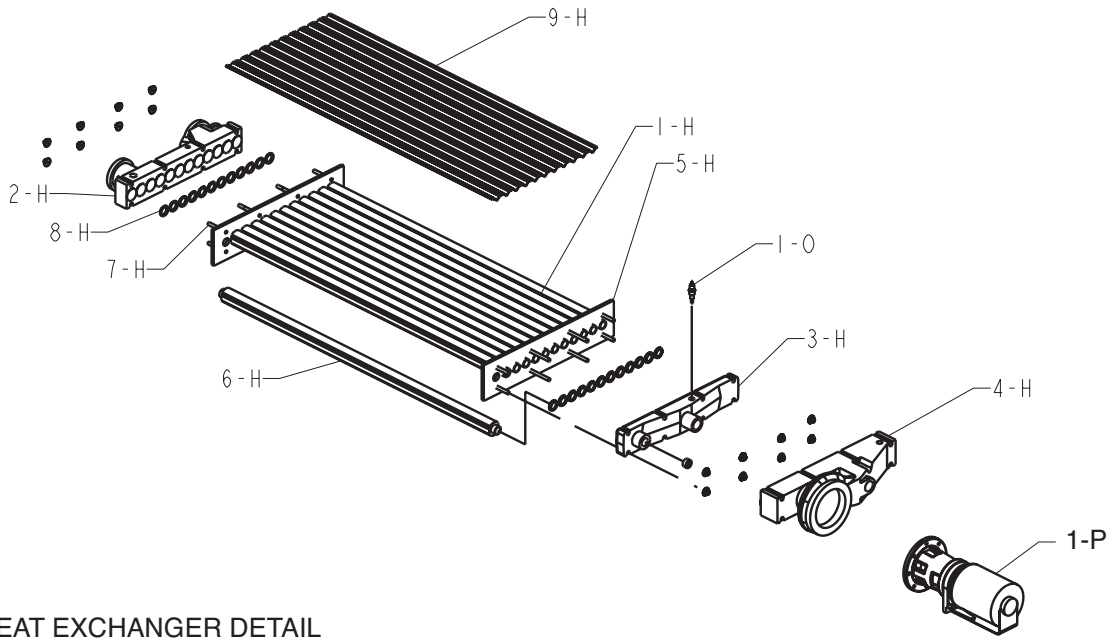
UNCONTROLLED DOCUMENT IF PRINTED

APPROVED

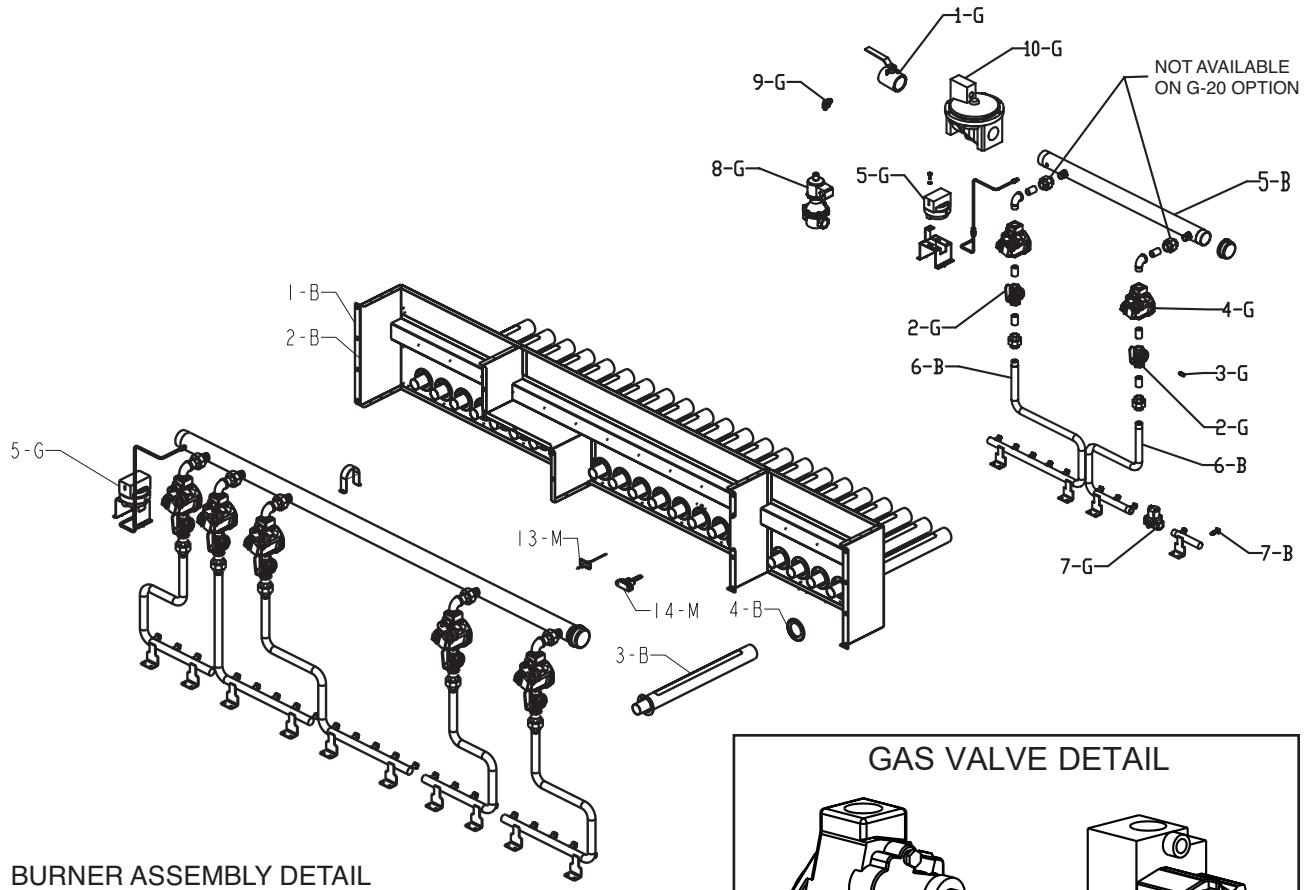


UNCONTROLLED DOCUMENT IF PRINTED

APPROVED

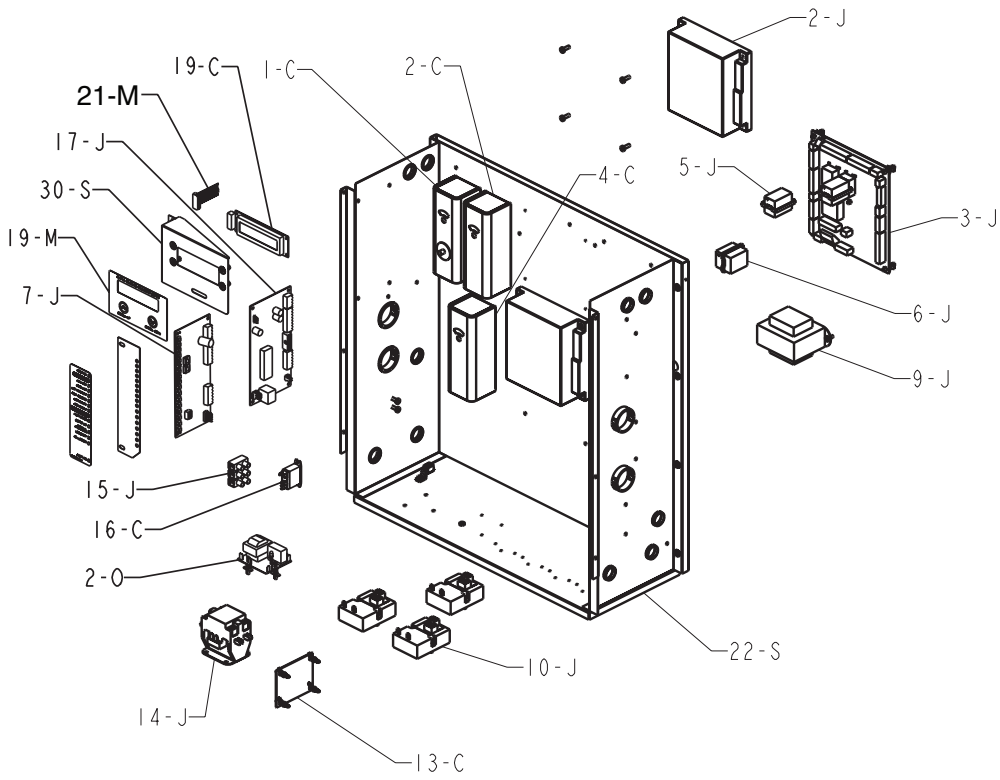


HEAT EXCHANGER DETAIL

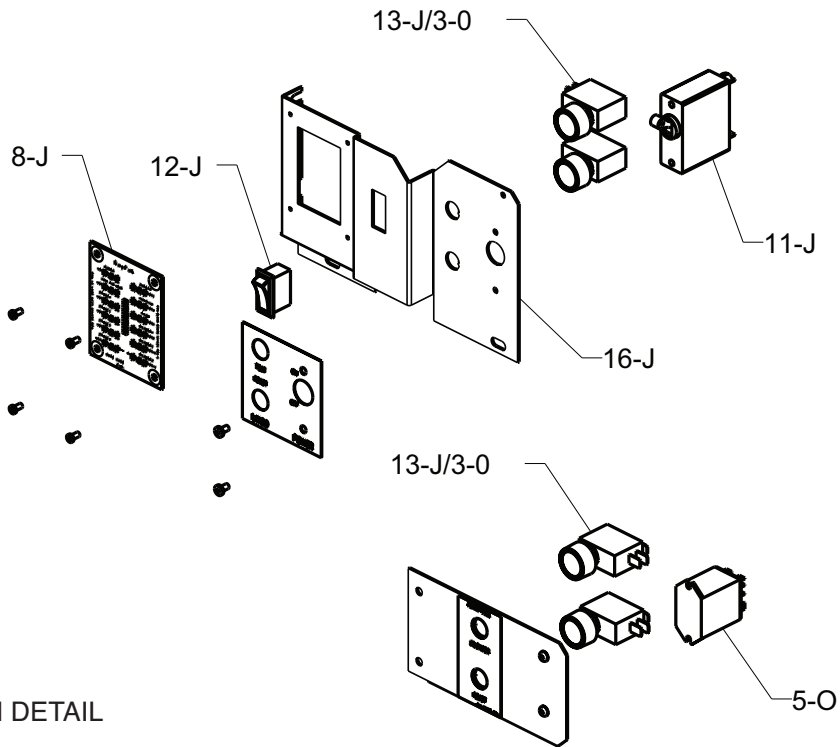


BURNER ASSEMBLY DETAIL

APPROVED



CONTROL BOX DETAIL



FRONT SWITCH DETAIL

UNCONTROLLED DOCUMENT IF PRINTED

APPROVED

CALL OUT	DESCRIPTION	992B	1262B	1532B	1802B	2002B	2072B	2342B
B BURNER ASSEMBLY								
1-B	Burner Assy w/Burners	009598F	009599F	009600F	009601F	009602F	009602F	009603F
2-B	Burner Mounting Assy	009604F	009605F	009606F	009607F	009608F	009608F	009609F
3-B	Burner	007617F/ 11	007617F/ 14	007617F/ 17	007617F/ 20	007617F/ 23	007617F/ 23	007617F/ 26
4-B	Seal Gasket	007443F	007443F	007443F	007443F	007443F	007443F	007443F
5-B	Manifold Upper	009610F	009611F	009612F	009613F	009614F	009614F	009615F
6-B	Manifold Lower	009616F	009617F	008972F	008973F	008974F	008974F	008975F
	Burner Orifice* (All Elevations)							
7-B	Natural Gas # 28 (Low Gas Pressure)	351641/ 11	351641/ 14	351641/ 17	351641/ 20	351641/ 23	351641/ 23	351641/ 26
	Natural Gas # 33	351444 / 11	351444 / 14	351444 / 17	351444 / 20	N/A	351444 / 23	351444 / 26
	Natural Gas # 35	N/A	N/A	N/A	N/A	351618 / 23	N/A	N/A
	Propane Gas # 52	351445 / 11	351445 / 14	351445 / 17	351445 / 20	N/A	351445 / 23	351445 / 26
C CONTROLS								
1-C	Manual Reset Adjustable High Limit 240°F Max	007144F	007144F	007144F	007144F	007144F	007144F	007144F
	Manual Reset Adjustable High Limit 200°F Max	008081F	008081F	008081F	008081F	008081F	008081F	008081F
	Manual Reset Adjustable High Limit 180°F Max	009554F	009554F	009554F	009554F	009554F	009554F	009554F
2-C	Auto Reset Adjustable High Limit 240°F Max	007141F	007141F	007141F	007141F	007141F	007141F	007141F
	Auto Reset Adjustable High Limit 180°F Max	006445F	006445F	006445F	006445F	006445F	006445F	006445F
	Auto Reset Adjustable High Limit 200°F Max	012546F	012546F	012546F	012546F	012546F	012546F	012546F
3-C	Remote Aquastat (Tankstat) (B-2)	007148F	007148F	007148F	007148F	007148F	007148F	007148F
	Remote Aquastat (Tankstat) 2-Stage (B-3)	007392F	007392F	007392F	007392F	007392F	007392F	007392F
	Remote Aquastat (Tankstat) 2-Stage (B-9)	007392F	007392F	007392F	007392F	007392F	007392F	007392F
4-C	Controller 2-Stage (B-4) Outdoor Reset	007393F	007393F	007393F	007393F	007393F	007393F	007393F
	Controller 2-Stage (B-6)	007392F	007392F	007392F	007392F	007392F	007392F	007392F
	Controller On/Off (B-20)	006445F	006445F	006445F	006445F	006445F	006445F	006445F
5-C	Controller On/Off (B-28) Digital Tekmar	009729F	009729F	009729F	009729F	009729F	009729F	009729F
	Controller 2-Stage (B-26 / 27) Digital Raypak	009861F	009861F	009861F	009861F	009861F	009861F	009861F
	Controller 4-Stage (B-21 / 23) Digital Raypak	009862F	009862F	009862F	009862F	009862F	009862F	009862F
6-C	Sensor Outdoor Air	010786F	010786F	010786F	010786F	010786F	010786F	010786F
7-C	Sensor Water	010787F	010787F	010787F	010787F	010787F	010787F	010787F
8-C	Controller RayTemp/4-stage (B-25)	010252F	010252F	010252F	010252F	010252F	010252F	010252F
	Controller RayTemp/2-stage (B-24)	012368F	012368F	012368F	012368F	012368F	012368F	012368F
9-C	Sensor Recovery RayTemp	009506F	009506F	009506F	009506F	009506F	009506F	009506F
10-C	Sensor Tank RayTemp	010788F	010788F	010788F	010788F	010788F	010788F	010788F
11-C	Temp Controller Pool (not shown)	003346F	003346F	003346F	003346F	003346F	003346F	003346F
12-C	Flow Switch	007142F	007142F	007142F	007142F	007142F	007142F	007142F
13-C	Economaster P. C. Board ADJ 3 to 10 MIN	004675F	004675F	004675F	004675F	004675F	004675F	004675F
17-C	Pump Delay 5 or 10 MIN	012551F	012551F	012551F	012551F	012551F	012551F	012551F
14-C	Switch Air Pressure (Vent)	007158F	007158F	007158F	007158F	007158F	007158F	007158F
15-C	Switch Air Pressure Differential (Blower)	008171F	008171F	008171F	008171F	008171F	008171F	008171F
16-C	Relay 24 VAC (Auto Reset Hi Limit100-240F)	009039F	009039F	009039F	009039F	009039F	009039F	009039F
19-C	Diagnostic Display	012662F	012662F	012662F	012662F	012662F	012662F	012662F
F FAN								
1-F	Blower Combustion Air (Left Hand)	007413F	007413F	007413F	007413F	007413F	007413F	007413F
2-F	Blower Combustion Air (Right Hand)	007414F	007414F	007414F	007414F	007414F	007414F	007414F
3-F	Air Shutter	009618F	009618F	009618F	009618F	009618F	009618F	009618F
4-F	Intake Blower Flange 6" (Truseal)	009697F	009697F	009697F	009697F	009697F	009697F	009697F
	Intake Blower Flange 4" (Truseal)	011746F	N/A	N/A	N/A	N/A	011746F	011746F
5-F	Hose Duct 6" (Truseal)	007420F	007420F	007420F	007420F	007420F	007420F	007420F
	Hose Duct 4" (Truseal)	007419F	N/A	N/A	N/A	N/A	007419F	007419F
6-F	Filter Media	008402F	008402F	008402F	008402F	008402F	008402F	008402F
G GAS VALVES								
1-G	Main Valve Gas Manual A 2" (IRI)	007665F	007665F	007665F	007665F	007665F	007665F	007665F
2-G	Valve Gas Manual A 3/4"	007421F	007421F	007421F	007421F	007421F	007421F	007421F
	Valve Gas Manual A 1" (Low Gas Press.)	007189F	007189F	007189F	007189F	007189F	007189F	007189F
3-G	Bleedle Valve 1/4"	007422F	007422F	007422F	007422F	007422F	007422F	007422F
	Bleedle Valve 1/8"	007423F	007423F	007423F	007423F	007423F	007423F	007423F
4-G	Gas Valve Nat 3/4" Robertshaw 601605	007666F	007666F	007666F	007666F	007666F	007666F	007666F
	Gas Valve Pro 3/4" Robertshaw 601604	007667F	007667F	007667F	007667F	007667F	007667F	007667F
	Gas Valve Nat 3/4" Honeywell 601561	N/A	007424F	007424F	007424F	007424F	N/A	007425F
	Gas Valve Pro 3/4" Honeywell 601563	007425F	007425F	007425F	007425F	007425F	007425F	007425F
	Gas Valve Nat 1" (Low Gas Pressure) Robertshaw 601784	011732F	011732F	011732F	011732F	011732F	011732F	011732F
5-G	Switch Low Gas Pressure w/o Bracket	007187F	007187F	007187F	007187F	007187F	007187F	007187F
6-G	Switch High Gas Pressure w/o Bracket (optional)	007188F	007188F	007188F	007188F	007188F	007188F	007188F
7-G	Solenoid Gas Valve	006407F	006407F	N/A	N/A	N/A	N/A	N/A
8-G	Vent Valve (IRI)	011914F	011914F	011914F	011914F	011914F	011914F	011914F
9-G	Valve Gas Manual B (IRI)	007195F	007195F	007195F	007195F	007195F	007195F	007195F
10-G	Valve On/Off (IRI)	004096F	004096F	004096F	004096F	004096F	004096F	004096F

* DO NOT re-office for elevations above 4500ft. Consult the factory for changes required for proper combustion at elevations above 4500ft.

APPROVED

CALL OUT	DESCRIPTION	992B	1262B	1532B	1802B	2002B	2072B	2342B
R	REFRACTORY							
1-R	Refractory Kit (All Panels)	007760F	007761F	007762F	007763F	007764F	007764F	007765F
2-R	Refractory Front Panels	007766F	007767F	007768F	007769F	007770F	007770F	007771F
3-R	Refractory Blanket	009869F	009870F	009871F	009872F	009873F	009873F	009874F
S	SHEETMETAL							
1-S	Jacket Top	009629F	009630F	009631F	009632F	009633F	009633F	009634F
2-S	Upfront Control Panel	009639F	009640F	009640F	009640F	009641F	009641F	009641F
	Upfront Control Panel w/ Controller Window w/ Large Full Length Logo Decal	009642F	009643F	009643F	009643F	009644F	009644F	009644F
	Upfront Control Panel	012335F	012336F	012336F	012336F	012337F	012337F	012337F
	Upfront Control Panel w/ Controller Window w/LCD Display	012338F	012339F	012339F	012339F	012340F	012340F	012340F
	Upfront Control Panel	012760F	012761F	012761F	012761F	012762F	012762F	012762F
	Upfront Control Panel w/ Controller Window	012763F	012764F	012764F	012764F	012765F	012765F	012765F
3-S	Upper Control Access Jacket Panel	009645F	009646F	009647F	009648F	009649F	009649F	009650F
4-S	Lower Front Jacket Panel	009651F	009652F	009653F	009654F	009655F	009655F	009656F
5-S	Access Panel Igniter/Sensor	N/A	N/A	N/A	N/A	N/A	N/A	N/A
6-S	Lower Rear Jacket Panel	009657F	009658F	009659F	009660F	009661F	009661F	009662F
7-S	Upper Left Side Jacket Panel	009663F	009663F	009663F	009663F	009663F	009663F	009663F
8-S	Upper Right Side Jacket Panel	009695F	009695F	009695F	009695F	009695F	009695F	009695F
9-S	Air Intake Cover Panel	009696F	009696F	009696F	009696F	009696F	009696F	009696F
10-S	Rear Flue Exhaust Cover Panel	009664F	009665F	009665F	009666F	009666F	009666F	009667F
11-S	Flue Exhaust Cover Panel	009713F	009714F	009714F	009715F	009715F	009715F	009716F
12-S	Lower Corner Supports Front and Rear	009668F	009668F	009668F	009668F	009668F	009668F	009668F
13-S	Center Support Panel	010237F	010238F	010239F	010240F	010241F	010241F	010243F
14-S	Left & Right Heat Exchanger Support	010244F	010244F	010244F	010244F	010244F	010244F	010244F
15-S	Intake Air Distribution Box (Truseal)	009669F	009669F	010789F	010789F	009670F	009670F	009670F
16-S	Support Horizontal	009671F	009672F	009673F	009674F	009675F	009675F	009676F
17-S	Support Assy Controls and Flue Exhaust	009677F	009677F	009677F	009677F	009677F	009677F	009677F
18-S	Flue Collector Top	009678F	009679F	009680F	009681F	009682F	009682F	009683F
19-S	Access Panel	009684F	009684F	009684F	009684F	009684F	009684F	009684F
20-S	Access Panel w/Pump	009685F	009685F	009685F	009685F	009685F	009685F	009685F
21-S	Cover for Return Header Mounted Pump	002671F	002671F	002671F	002671F	002671F	002671F	002671F
22-S	Control Box Sheetmetal	009686F	009686F	009686F	009686F	009686F	009686F	009686F
23-S	Controller Mounting Panel*	012341F	012341F	012341F	012341F	012341F	012341F	012341F
24-S	Filter Mounting Panel	009699F	009699F	009699F	009699F	009699F	009699F	009699F
25-S	Intake Air Vent Hood	010747F	010747F	010747F	010747F	010747F	010747F	010747F
26-S	Flue Exhaust Gasket Retainer	010032F	010033F	010033F	010034F	010034F	010034F	010035F
27-S	Combustion Chamber Rear Panel	010772F	010773F	010774F	010775F	010776F	010776F	010777F
28-S	Base Assy	010760F	010761F	010762F	010763F	010764F	010764F	010765F
29-S	Rear Center Cover Panel	011859F	011859F	011859F	011859F	011859F	011859F	011859F
30-S	LCD/Keypad Panel	012757F	012757F	012757F	012757F	012757F	012757F	012757F
V	VENTING							
1-V	Outdoor Stack	014552F	014553F	014553F	014649F	014649F	014649F	010799
2-V	Flue Exhaust Tee	009701F	009702F	009702F	009703F	009703F	009703F	009704F
3-V	Flue Exhaust Tee Cap	009705F	009706F	009706F	009707F	009707F	009707F	009708F
4-V	Flue Exhaust Adapter	009709F	009710F	009710F	009711F	009711F	009711F	009712F
5-V	Flue Exhaust Straight Pipe	011854F	011855F	011855F	011856F	011856F	011856F	011857F

APPROVED



Raypak, Inc. 2151 Eastman Avenue, Oxnard, CA 93030 (805) 278-5300 www.raypak.com

Litho in U.S.A

UNCONTROLLED DOCUMENT IF PRINTED