

COMMERCIAL
MODEL: 133

CATALOG NO. 9300.10
Effective: 01-15-16
Replaces: 10-01-14

RAYPAK REPLACEMENT PARTS

MODEL SIZE: 133

MODEL TYPES: T, WT & THWS

DATE OF MANUFACTURE: 8-24-83 THRU 12-12-84

THE PARTS LISTED ARE FOR STANDARD EQUIPMENT FOR THIS MODEL TYPE. RAYPAK RESERVES THE RIGHT TO SUBSTITUTE, DELETE OR CHANGE ANY PART WITHOUT NOTIFICATION. THE ADDITION OF OPTIONS MAY ALSO CHANGE SOME OF THE PARTS. ORDER REPLACEMENT PARTS FROM ACTUAL HEATER COMPONENTS.



FOR DETAILED INSTRUCTIONS, SEE "HOW TO USE YOUR RAYPAK ILLUSTRATED PARTS LIST",
CATALOG NO. 9001.10



Raypak, Inc., 2151 Eastman Avenue, Oxnard, CA 93030
(805) 278-5300 Fax (800) 872-9725
Litho In U.S.A.

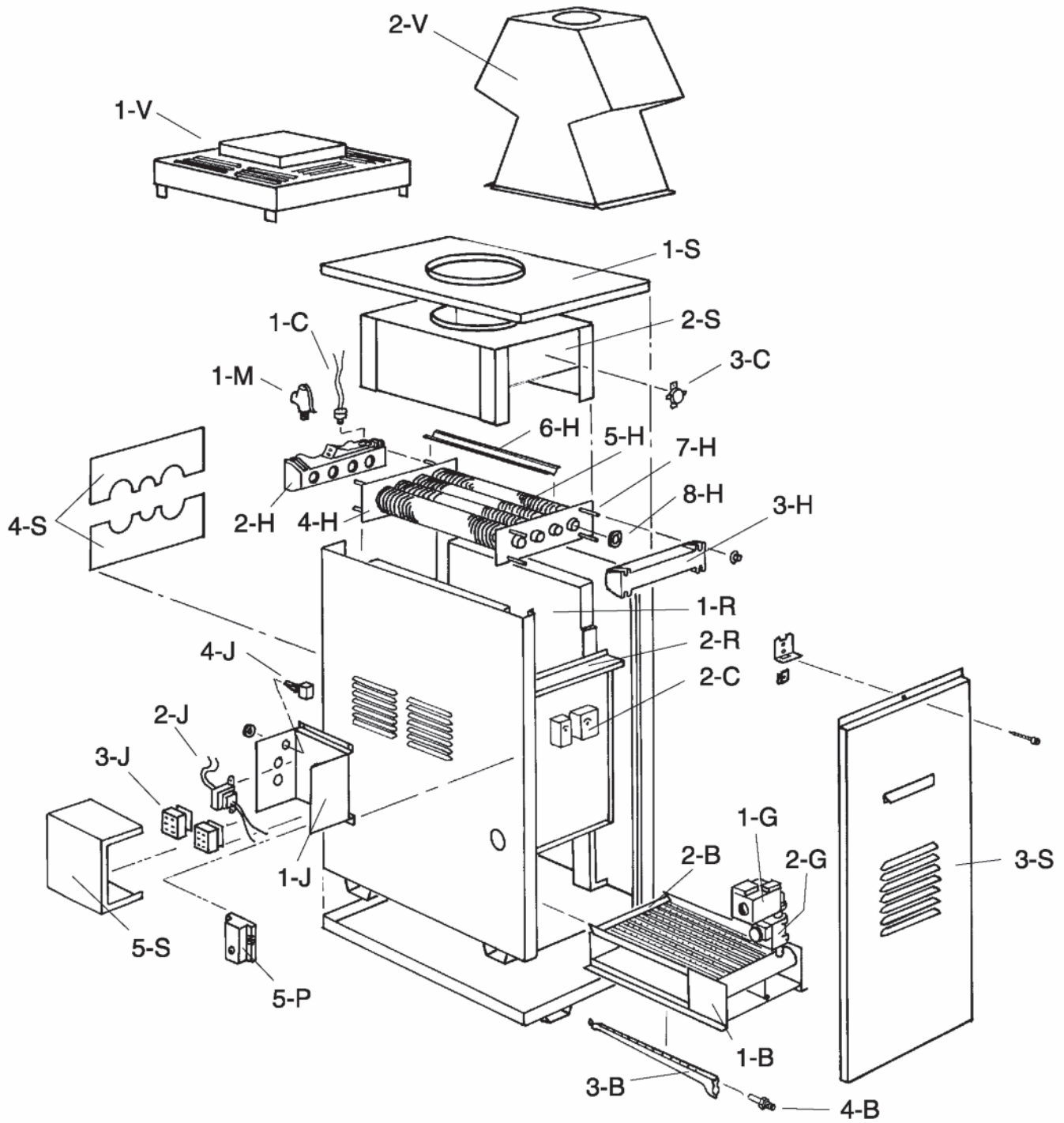


Fig.# 240622

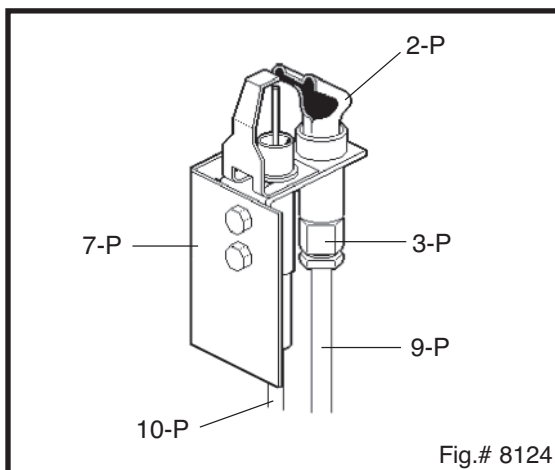


Fig.# 8124

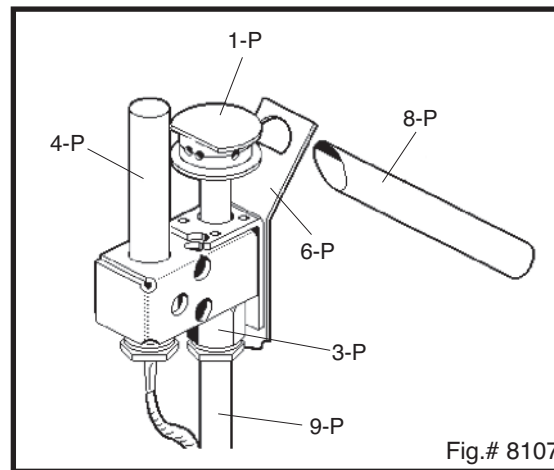


Fig.# 8107

CALL OUT	DESCRIPTION	133 T	133 THWS	133 WT
B	BURNER TRAY**			
1-B	Burner Tray w/Burners (Sea Level)*	N/A	N/A	001989F
	Burner Tray w/o Burners (Sea Level)*	N/A	N/A	001990F
2-B	Burner Hold Down	001991F	001991F	001991F
3-B	Burner	301210/10	301210/10	301210/10
4-B	Burner Orifice Nat. #51 (Sea Level)*	350080F/10	350080F/10	350080F/10
	Burner Orifice Pro. #57 (Sea Level)*	350083F/10	350083F/10	350083F/10
C	CONTROLS			
1-C	Auto Hi Limit Fixed	008554F		
2-C	Temperature Controller		007144F	004092F
3-C	Thermostat Control IID	003609F		
G	GAS VALVE			
1-G	Combination Valve 1/2" Nat. 24 V	004868F	004868F	003898F
	Combination Valve 1/2" Pro. 24 V	N/A	N/A	003899F
	Combination Valve 1/2" Nat. IID 24 V	003900F	003900F	003900F
2-G	Modulation Valve 1/2"	N/A	N/A	
H	HEAT EXCHANGER			
1-H	Heat Exchanger Assy. (Complete)	001992F	001993F	001993F
2-H	Inlet/Outlet Header	001994F	001995F	001995F
3-H	Return Header	001996F	001997F	001997F
4-H	Tube Bundle	001998F	001998F	001998F
5-H	Heat Exchange Tube	001999F	001999F	001999F
6-H	Baffle Kit	001622F	001622F	001622F
7-H	Bolt Kit	N/A	N/A	N/A
8-H	Header Gasket	800001B	800001B	800001B
9-H	Sensor Well	007211F	007211F	007211F
10-H	Well Retaining Clip	300203	300203	300203
J	J-BOX/CONTROL BOX			
1-J	J-Box Standing Nat. & Pro.	N/A	N/A	N/A
	J-Box IID Nat.	N/A	N/A	N/A
	J-Box IID Pro. & Lockout	N/A	N/A	N/A
2-J	Transformer	006533F	006533F	006533F
3-J	Relay-DPST	007376F	007376F	007376F
	Relay-SPST	008090F	008090F	
4-J	Toggle Switch Standing Pilot	006531F	006531F	006531F
	Toggle Switch IID Units	008079F	008079F	008079F
M	MISCELLANEOUS COMPONENTS			
1-M	PRV 45 PSI	007220F		
	PRV 125 PSI		008091F	008091F
2-M	Delimiting Kit	052870F	052870F	052870F
3-M	T & P Gauge	007205F	007399F	007399F

*FOR ALTITUDES ABOVE 2,000 FEET ABOVE SEA LEVEL, CONSULT THE FACTORY.

**REPLACEMENT BURNER TRAYS ARE BUILT FOR SEA LEVEL, NATURAL GAS APPLICATIONS UNLESS OTHERWISE SPECIFIED AT THE TIME THE ORDER IS PLACED

CALL OUT	DESCRIPTION	133 T	133 THWS	133 WT
P	PILOT			
1-P	Pilot Nat. Standing	002001F	002001F	002001F
	Pilot Pro. Standing	002002F	002002F	002002F
2-P	Pilot Nat. IID	002003F	002003F	002003F
3-P	Pilot Orifice Nat. Standing	600002F	600002F	600002F
	Pilot Orifice Pro. Standing	600422F	600422F	600422F
	Pilot Orifice Nat. IID	600811	600811	600811
4-P	Thermocouple	600003	600003	600003
5-P	Ignition Control	004817B	004817B	004817B
	Igniton Control Lockout	004818B	004818B	004818B
6-P	Pilot Mounting Bracket Standing	006054F	006054F	006054F
7-P	Pilot Mounting Bracket IID	006055F	006055F	006055F
8-P	Lighter Tube Standing	052797	052797	052797
9-P	Pilot Tube	004078F	004078F	004078F
10-P	Hi Tension Wire	006088B	006088B	006088B
R	REFRACTORY			
1-R	Refractory Kit	000992F	000992F	000992F
2-R	Refractory Retainer Kit	N/A	N/A	N/A
S	SHEET METAL			
1-S	Jacket Top	N/A	N/A	N/A
2-S	Flue Collector	002008F	002008F	002008F
3-S	Door Assy.	N/A	N/A	N/A
4-S	Access Panel Group	001624F	001624F	001624F
5-S	J-Box Sheetmetal	N/A	N/A	N/A
V	VENTING			
1-V	Stackless Top Kit (Outdoor)	N/A	N/A	N/A
2-V	Draft Hood Kit (Indoor)	003723	003723	003723

CONVERSION KITS **				
Gas Conversions				
	Natural to Propane STG Pilot	053332B	053332B	053332B
	Propane to Natural STG Pilot	053343B	053343B	053343B
	Natural to Propane IID Pilot	N/A	N/A	N/A
	Propane to Natural IID Pilot	N/A	N/A	N/A

**GAS CONVERSIONS ARE TO BE DONE ONLY BY A QUALIFIED AGENCY.



Registered Quality Management System

www.raypak.com