

COMMERCIAL
MODEL: B195

CATALOG NO. 9400.35
Effective: 12-15-18
Replaces: 02-01-16

RAYPAK ILLUSTRATED PARTS LIST

MODEL SIZE: B195A

MODEL TYPE: B (BOOSTER)

DATES OF MANUFACTURE: 09-01-95 THROUGH 12-31-03

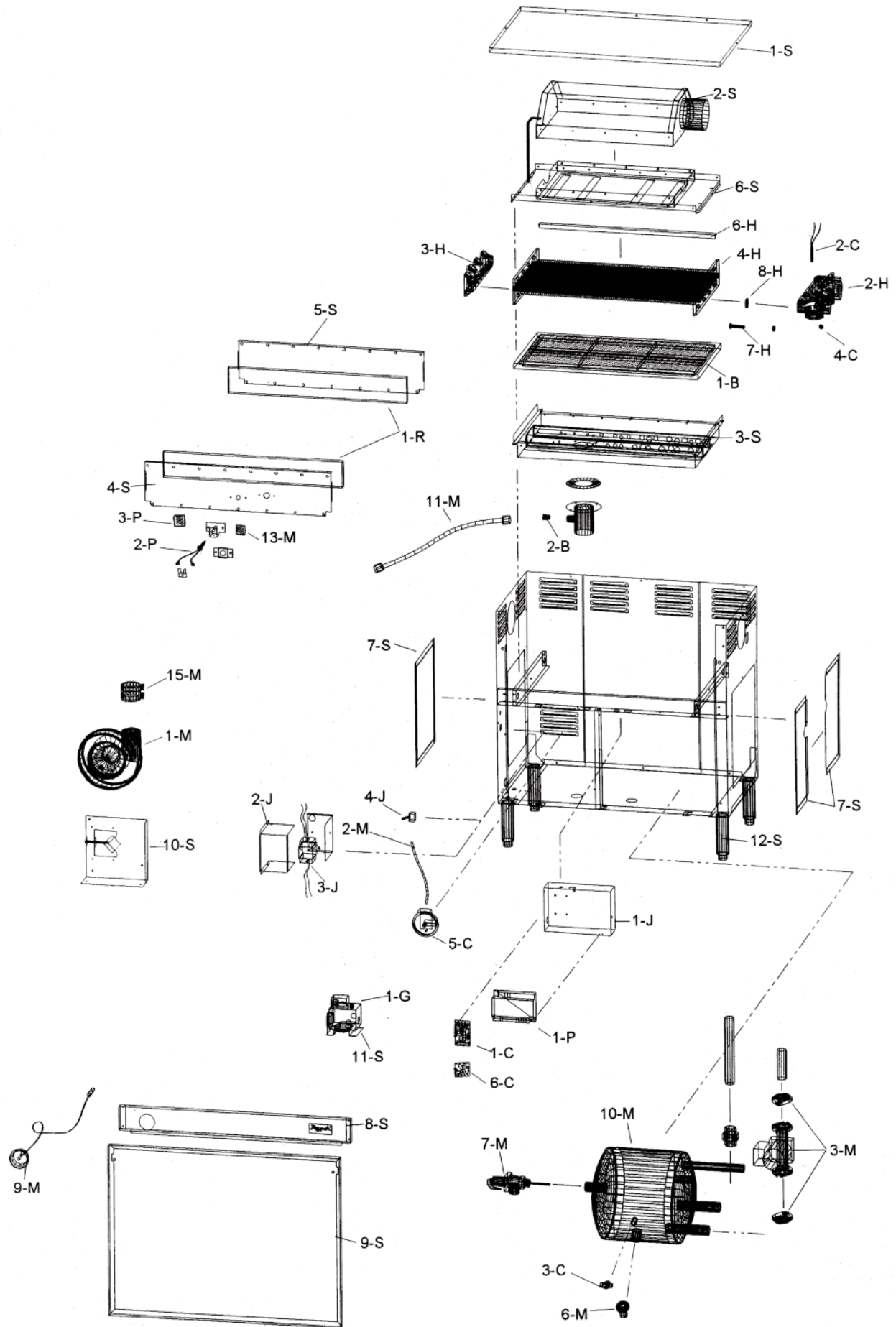
THE PARTS LISTED ARE FOR STANDARD EQUIPMENT FOR THIS MODEL TYPE. RAYPAK RESERVES THE RIGHT TO SUBSTITUTE, DELETE OR CHANGE ANY PART WITHOUT NOTIFICATION. THE ADDITION OF OPTIONS MAY ALSO CHANGE SOME OF THE PARTS. ORDER REPLACEMENT PARTS FROM ACTUAL HEATER COMPONENTS.



FOR DETAILED INSTRUCTIONS ON "HOW TO USE YOUR RAYPAK ILLUSTRATED PARTS LIST" SEE 9001.10 INSTRUCTION SHEET.



Raypak, Inc., 2151 Eastman Avenue, Oxnard, CA 93030
(805) 278-5300 Fax (800) 872-9725
Litho In U.S.A.



CALL OUT	DESCRIPTION	PART NO.
B	BURNER TRAY	
1-B	Burner Tray Complete	N/A
	Burner Tray Complete (Propane Gas)	006761F
2-B	Burner Orifice Nat.(N) Sea Level *	N/A
	Burner Orifice, Pro #19 Sea Level*	N/A
C	CONTROLS	
1-C	Operating Limit	005197F
2-C	Probe - Sensor	006532F
3-C	Manual Reset High Limit	008093F
4-C	Auto Reset High Limit	601270
5-C	Combustion Air Pressure Switch (N. O.) BEFORE 8/15/98	010355F
	Vent Pressure Switch (N.C.) BEFORE 8/15/98	601169
	Combustion Air/Vent Pressure Switch (N. O.) AFTER 8/15/98	N/A
6-C	Relay SPST (N.O.)	007377F
G	GAS VALVE	
1-G	Gas Valve, Nat.	N/A
	Gas Valve Propane	N/A
2-G	Gas Valve Manual Shut-Off (Not Shown)	006543F
H	HEAT EXCHANGER	
1-H	Heat Exchanger Complete	005705F
2-H	Inlet/Outlet Header	005766F
3-H	Return Header	004982F
4-H	Tube Bundle	005706F
5-H	Heat Exchanger Tube	005707F
6-H	Baffle Kit	005708F
7-H	Carriage Bolt Kit	N/A
	Stud Bolt Kit	007911F
8-H	Header Gasket	005083B
J	CONTROL BOX	
1-J	Control Box Complete (Includes 1-C, 1-P)	N/A
2-J	Wiring Box	N/A
3-J	Transformer 24/120 50 VA	006533F
4-J	On/Off Switch	006531F
M	MISCELLANEOUS	
1-M	Blower	005710F
2-M	Air Pressure Switch Tubing	005712F
3-M	Pump	004990F
4-M	Pump Cartridge	951116F
5-M	Pump Flange Gasket	005191F
6-M	Drain Valve	501520
7-M	Temperature & Pressure Relief Valve	501753
8-M	Pressure Regulator (Not Shown)	N/A
9-M	Temperature Gauge	601157
10-M	Storage Tank 5 Gallon	N/A
11-M	Gas Flex Hose	N/A
12-M	Wire Harness	N/A
13-M	Inspection Window	005193F
14-M	Silicone Rubber Sealant (10oz)	005755F
15-M	Blower/Manifold Seal	005711F
16-M	Delimiting Kit	052871F

* For Altitudes Above 2000 Feet Above Sea Level, Consult Factory.

CALL OUT	DESCRIPTION	PART NO.
P	PILOT	
1-P	Ignition Control Module	N/A
2-P	Hot Surface Ignitor	005329F
3-P	Remote Sensor	601501
R	REFRACTORY	
1-R	Refractory Kit	N/A
S	SHEETMETAL	
1-S	Jacket Top (Stainless Steel)	N/A
2-S	Flue Collector	N/A
3-S	Combustion Box	N/A
4-S	Combustion Box Front Panel Kit	N/A
5-S	Combustion Box Rear Panel	N/A
6-S	Combustion Box Top Panel	N/A
7-S	Access Panel	N/A
8-S	Control Panel (Stainless Steel) w/ Gauge Hole	N/A
	Control Panel (Stainless Steel) w/o Gauge Hole	N/A
9-S	Door (Stainless Steel)	N/A
10-S	Blower Mounting Panel	N/A
11-S	Gas Valve Mounting/Wrenching Bracket	N/A
12-S	Support Leg (1)	N/A



www.raypak.com