

RAYPAK ILLUSTRATED PARTS LIST

**MODEL SIZES: 489, 587, 685, 750, 848, 910, 945, 1020, 1060, 1193,
1239, 1303, 1353, 1413, 1467, 1570, 1630**

MODEL TYPES: T, Ta, Tb, Tc, Td, WT, THWS, TIP, TIPR

DATES OF MANUFACTURE: *1972 THRU 9-1-83 EXCEPT AS NOTED.
489 and 587, 1972 THRU 12-31-75
910, 1193 and 1413, 11-1-76 THRU 9-1-83
1239 THRU 1630 TIPR, 1972 THRU 12-31-74

* SERVICE PARTS LISTED IN THIS PAMPHLET ARE FOR UNITS BUILT BEFORE 7-2-80

THE PARTS LISTED ARE FOR STANDARD EQUIPMENT FOR THIS MODEL TYPE. RAYPAK RESERVES THE RIGHT TO SUBSTITUTE, DELETE OR CHANGE ANY PART WITHOUT NOTIFICATION. THE ADDITION OF OPTIONS MAY ALSO CHANGE SOME OF THE PARTS. ORDER REPLACEMENT PARTS FROM ACTUAL HEATER COMPONENTS.



FOR DETAILED INSTRUCTIONS, SEE "HOW TO USE YOUR RAYPAK ILLUSTRATED PARTS LIST",
CATALOG NO. 9001.10



Raypak, Inc., 2151 Eastman Ave, Oxnard, CA 93030
(805) 278-5300 Fax (800) 872-9125
Litho In U.S.A.

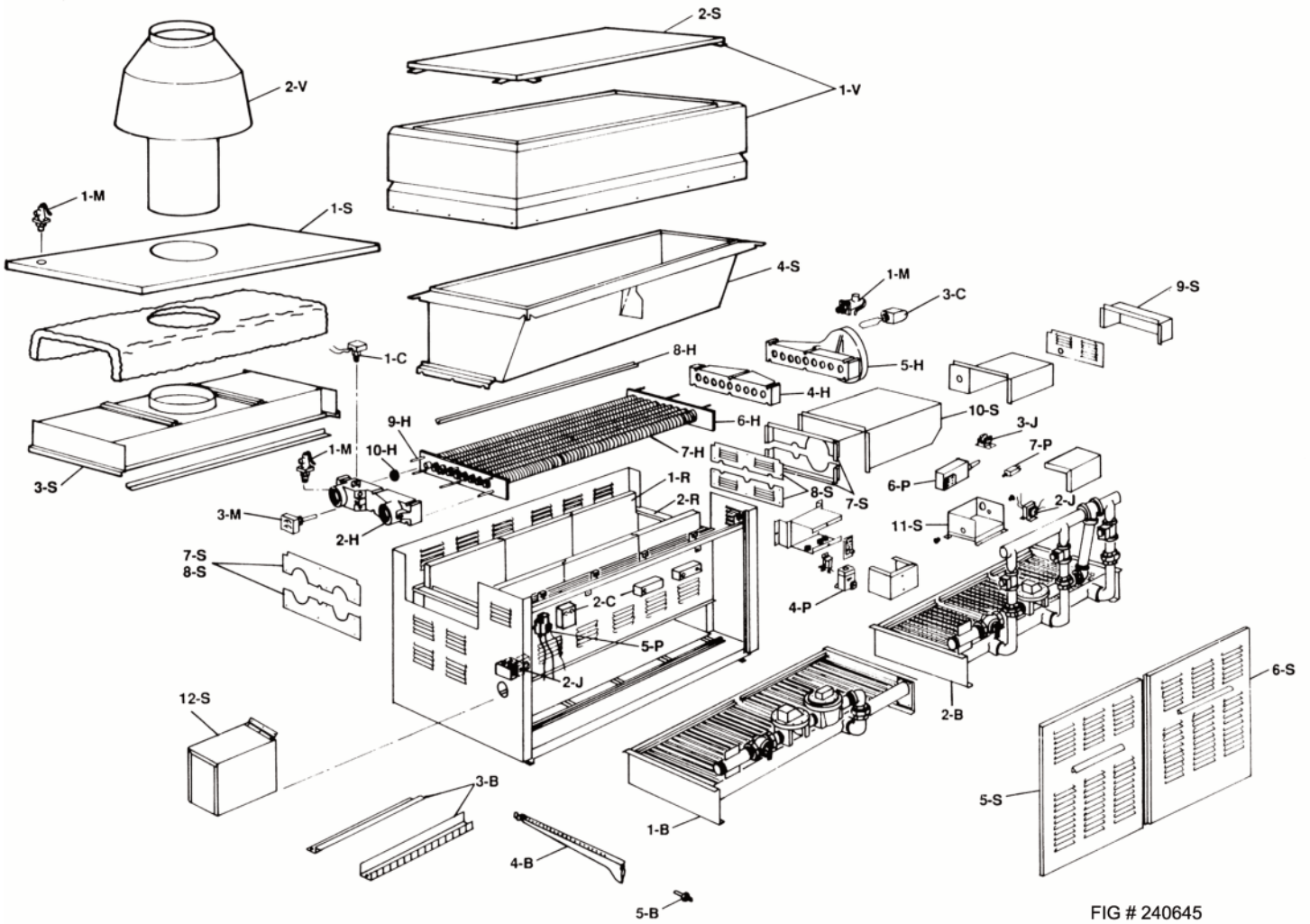


FIG # 240645

HONEYWELL Q327 PILOT
USED WITH C591 PILOT SAFETY

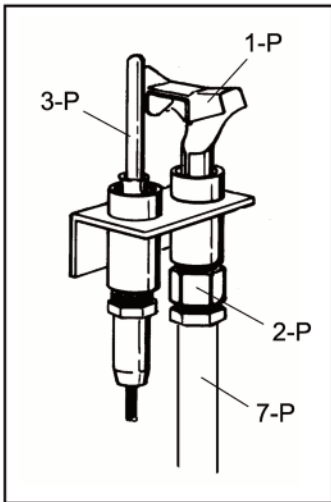


FIG # 9300

ITT 262AD27 PILOT
USED WITH A100S PILOT SAFETY

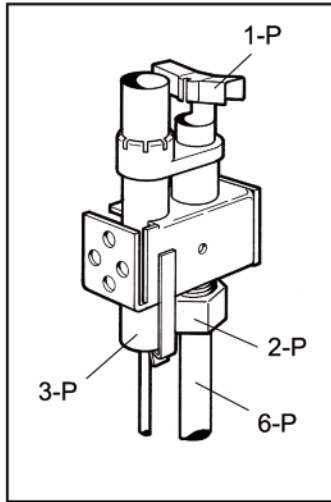


FIG # 9301

GENERAL CONTROLS J998 PILOT
USED WITH G60 PILOT SAFETY

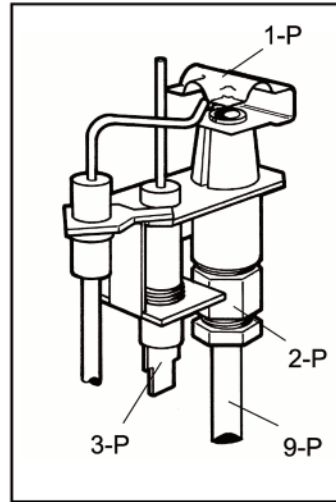


FIG # 9302

CALL OUT	DESCRIPTION	489	587	685	750	848	945 (910)
B	BURNER TRAY**						
1-B	Burner Tray w/Burners (Sea Level) *	N/A	N/A	N/A	N/A	N/A	N/A
	Burner Tray w/o Burners (Sea Level)*	N/A	N/A	N/A	N/A	N/A	N/A
2-B	Burner Tray w/Burners (Sea Level)*	N/A	N/A	N/A	N/A	N/A	N/A
	Burner Tray w/o Burners (Sea Level)*	N/A	N/A	N/A	N/A	N/A	N/A
3-B	Burner Spacer/Hold Down (Single)	N/A	N/A	N/A	N/A	N/A	N/A
	Burner Spacer/Hold Down (Double)	N/A	N/A	N/A	N/A	N/A	N/A
4-B	Burner	301210/30	301210/36	301210/42	301210/46	301210/52	301210/58
5-B	Burner Orifice - Nat. #49 (Sea Level)*	350078F/30	350078F/36	350078F/42	350078F/46	350078F/52	350078F/58
	Burner Orifice - Pro. #57 (Sea Level)*	350083F/30	350083F/36	350083F/42	350083F/46	350083F/52	350083F/58
C	CONTROLS						
1-C	Auto Hi Limit Fixed (T, TA)	N/A	N/A	008554F	008554F	008554F	008554F
2-C	Manual Hi Limit (THWS, TIP)	007144F	007144F	007144F	007144F	007144F	007144F
	Auto Reset Dualstat (TC, WT)	004092F	004092F	004092F	004092F	004092F	004092F
	Manual Reset Dualstat (TX)	N/A	N/A	004092F	004092F	004092F	004092F
	Adj Auto Hi Limit (TB, TD, TIPR)	007141F	007141F	007141F	007141F	007141F	007141F
	Controller Modulating (TA)	N/A	N/A	N/A	N/A	N/A	N/A
	Controller 2-Stage (TA)	N/A	N/A	007392F	007392F	007392F	007392F
	Controller B3 (TX) See Chart Page 7	N/A	N/A	N/A	N/A	N/A	N/A
	Controller B5 (TX)	N/A	N/A	N/A	N/A	N/A	N/A
3-C	Flow Switch (TD, TIP, TIPR)	007142F	007142F	007142F	007142F	007142F	007142F
4-C	Low Water Cut Off (Not Shown)	006202F	006202F	006202F	006202F	006202F	006202F
5-C	Flow Switch Paddle McDonnell Miller	004079F	004079F	004079F	004079F	004079F	004079F
	Taco	010026F	010026F	010026F	010026F	010026F	010026F
G	GAS VALVES	(SEE GAS VALVE REPLACEMENT CHART)					
H	HEAT EXCHANGER						
1-H	Heat Exch. Assy. Cast Iron (Complete)	N/A	N/A	N/A	N/A	N/A	N/A
	Heat Exch. Assy. Brass	N/A	N/A	N/A	N/A	N/A	N/A
	Heat Exch. Assy. Cast Iron w/Pump Hdr.	N/A	N/A	N/A	N/A	N/A	N/A
	Heat Exch. Assy. Brass w/Pump Hdr.	N/A	N/A	N/A	N/A	N/A	N/A
	Heat Exch. Assy. Cast Iron w/Pump Hdr. (TIP)	N/A	N/A	N/A	N/A	N/A	N/A
	Heat Exch. Assy. Brass w/Pump Hdr. (TIP)	N/A	N/A	N/A	N/A	N/A	N/A
	Heat Exch. Assy. Cast Iron w/Pump Hdr. (TIPR)	N/A	N/A	N/A	N/A	N/A	N/A
	Heat Exch. Assy. Brass w/Pump Hdr. (TIPR)	N/A	N/A	N/A	N/A	N/A	N/A
	Heat Exch. Assy. Cast Iron Cupro Nickle	N/A	N/A	N/A	N/A	N/A	N/A
	Heat Exch. Assy. Brass Cupro Nickle	N/A	N/A	N/A	N/A	N/A	N/A
2-H	Inlet/Outlet Header Cast Iron	N/A	N/A	N/A	N/A	N/A	N/A
	Inlet/Outlet Header Brass	N/A	N/A	N/A	N/A	N/A	N/A
	Inlet/Outlet Header Cast Iron (TIP)	N/A	N/A	N/A	N/A	N/A	N/A
	Inlet/Outlet Header Brass (TIP)	N/A	N/A	N/A	N/A	N/A	N/A
	Inlet/Outlet Header Cast Iron (TIPR)	N/A	N/A	N/A	N/A	N/A	N/A
	Inlet/Outlet Header Brass (TIPR)	N/A	N/A	N/A	N/A	N/A	N/A
4-H	Return Header Cast Iron	N/A	N/A	N/A	N/A	N/A	N/A
	Return Header Brass	N/A	N/A	N/A	N/A	N/A	N/A
5-H	Return Pump Header Cast Iron	N/A	N/A	N/A	N/A	N/A	N/A
	Return Pump Header Brass	N/A	N/A	N/A	N/A	N/A	N/A
6-H	Tube Bundle	001574F	001573F	002858F	002859F	002860F	002861F
	Tube Bundle Cupro Nickle (TIP)	N/A	N/A	002869F	002870F	002871F	002872F
7-H	Heat Exchange Tube	N/A	N/A	002880F	002881F	002882F	002883F
	Heat Exchange Tube Cupro Nickle	N/A	N/A	002891F	002892F	002893F	002894F
8-H	Baffle Kit	N/A	N/A	001646F	001647F	001648F	001649F
9-H	Stud Bolt Kit	001051F	001051F	001051F	001051F	001051F	001051F
10-H	Header Gasket	800001B	800001B	800001B	800001B	800001B	800001B
11-H	Sensor Well	007211F	007211F	007211F	007211F	007211F	007211F
12-H	Well Retaining Clip	300203	300203	300203	300203	300203	300203
J	J BOX						
1-J	J Box D-1	N/A	N/A	N/A	N/A	N/A	N/A
	J Box E-8/E-9	N/A	N/A	N/A	N/A	N/A	N/A
	J Box C2 C3 IRI	N/A	N/A	N/A	N/A	N/A	N/A
2-J	Transformer Std/E8 E9 40 VA	006533F	006533F	006533F	006533F	006533F	006533F
	Spark Generator C2 C3 IRI	007361F	007361F	007361F	007361F	007361F	007361F
3-J	Relay SPST	007377F	007377F	007377F	007377F	007377F	007377F
	Relay DPDT (Not Shown)	650117	650117	650117	650117	650117	650117
	Relay DPDT IRI (Not Shown)	N/A	N/A	N/A	N/A	N/A	N/A
4-J	Toggle Switch (Not Shown)	008079F	008079F	008079F	008079F	008079F	008079F
M	MISCELLANEOUS COMPONENTS						
1-M	PRV 45 PSI	007220F	007220F	007220F	007220F	007220F	
	PRV 60 PSI						007222F
	PRV 125 PSI (WT, THWS, TIP & TIPR)	007224F	007224F	007224F	007224F	007224F	007224F
2-M	Delimiting Kit	052870F	052870F	052870F	052870F	052870F	052870F
3-M	T & P Gauge 0-90 PSI	007205F	007205F	007205F	007205F	007205F	007205F
	T & P Gauge 0-200 PSI	007399F	007399F	007399F	007399F	007399F	007399F
4-M	Integral Pump (Not Shown)***	004844F	004844F	004844F	004844F	004844F	004844F

* FOR ALTITUDES ABOVE 2,000 FEET ABOVE SEA LEVEL, CONSULT THE FACTORY.

**REPLACEMENT BURNER TRAYS ARE BUILT FOR SEA LEVEL, NATURAL GAS APPLICATIONS UNLESS OTHERWISE SPECIFIED AT THE TIME THE ORDER IS PLACED.

***For individual pump parts see separate pump parts IPL 9300.100

CALL OUT	DESCRIPTION	1060 (1020)	1239 (1193)	1353 (1303)	1467 (1413)	1630 (1570)
B	BURNER TRAY**					
1-B	Burner Tray w/Burners (Sea Level) *	N/A	N/A	N/A	N/A	N/A
	Burner Tray w/o Burners (Sea Level)*	N/A	N/A	N/A	N/A	N/A
2-B	Burner Tray w/Burners (Sea Level)*	N/A	N/A	N/A	N/A	N/A
	Burner Tray w/o Burners (Sea Level)*	N/A	N/A	N/A	N/A	N/A
3-B	Burner Spacer/Hold Down (Single)	N/A	N/A	N/A	N/A	N/A
	Burner Spacer/Hold Down (Double)	N/A	N/A	N/A	N/A	N/A
4-B	Burner	301210/65	301210/76	301210/83	301210/90	301210/100
5-B	Burner Orifice - Nat. (Sea Level)*	350078F/65	350078F/76	350078F/83	350078F/90	350078F/100
	Burner Orifice - Pro. (Sea Level)*	350083F/65	350083F/76	350083F/83	350083F/90	350083F/100
C	CONTROLS					
1-C	Auto Hi Limit Fixed (T, TA)	008554F	008554F	008554F	008554F	008554F
2-C	Manual Hi Limit (THWS, TIP)	007144F	007144F	007144F	007144F	007144F
	Auto Reset Dualstat (TC, WT)	004092F	004092F	004092F	004092F	004092F
	Manual Reset Dualstat (TX)	004092F	004092F	004092F	004092F	004092F
	Adj Auto Hi Limit (TB, TD, TIPR)	007141F	007141F	007141F	007141F	007141F
	Controller Modulating (TA)	N/A	N/A	N/A	N/A	N/A
	Controller 2-Stage (TA)	600887	600887	600887	600887	600887
	Controller B3 (TX) See Chart Page 7	N/A	N/A	N/A	N/A	N/A
	Controller B5 (TX)	N/A	N/A	N/A	N/A	N/A
3-C	Flow Switch (TD, TIP, TIPR)	007142F	007142F	007142F	007142F	007142F
4-C	Low Water Cut Off (Not Shown)	006202F	006202F	006202F	006202F	006202F
5-C	Flow Switch Paddle					
	McDonnell Miller	004079F	004079F	004079F	004079F	004079F
	Taco	010026F	010026F	010026F	010026F	010026F
G	GAS VALVES	(SEE GAS VALVE REPLACEMENT CHART)				
H	HEAT EXCHANGER					
1-H	Heat Exch. Assy. Cast Iron (Complete)	N/A	N/A	N/A	N/A	N/A
	Heat Exch. Assy. Brass	N/A	N/A	N/A	N/A	N/A
	Heat Exch. Assy. Cast Iron w/Pump Hdr.	N/A	N/A	N/A	N/A	N/A
	Heat Exch. Assy. Brass w/Pump Hdr.	N/A	N/A	N/A	N/A	N/A
	Heat Exch. Assy. Cast Iron w/Pump Hdr. (TIP)	N/A	N/A	N/A	N/A	N/A
	Heat Exch. Assy. Brass w/Pump Hdr. (TIP)	N/A	N/A	N/A	N/A	N/A
	Heat Exch. Assy. Cast Iron w/Pump Hdr. (TIPR)	N/A	N/A	N/A	N/A	N/A
	Heat Exch. Assy. Brass w/Pump Hdr. (TIPR)	N/A	N/A	N/A	N/A	N/A
	Heat Exch. Assy. Cast Iron Cupro Nickle (TIP)	N/A	N/A	N/A	N/A	N/A
	Heat Exch. Assy. Brass Cupro Nickle (TIP)	N/A	N/A	N/A	N/A	N/A
2-H	Inlet/Outlet Header Cast Iron	N/A	N/A	N/A	N/A	N/A
	Inlet/Outlet Header Brass	N/A	N/A	N/A	N/A	N/A
	Inlet/Outlet Header Cast Iron (TIP)	N/A	N/A	N/A	N/A	N/A
	Inlet/Outlet Header Brass (TIP)	N/A	N/A	N/A	N/A	N/A
	Inlet/Outlet Header Cast Iron (TIPR)	N/A	N/A	N/A	N/A	N/A
	Inlet/Outlet Header Brass (TIPR)	N/A	N/A	N/A	N/A	N/A
4-H	Return Header Cast Iron	N/A	N/A	N/A	N/A	N/A
	Return Header Brass	N/A	N/A	N/A	N/A	N/A
5-H	Return Pump Header Cast Iron	N/A	N/A	N/A	N/A	N/A
	Return Pump Header Brass	N/A	N/A	N/A	N/A	N/A
6-H	Tube Bundle	002862F	002863F	002864F	002865F	002866F
	Tube Bundle Cupro Nickle (TIP)	002873F	002874F	002875F	002876F	002877F
7-H	Heat Exchange Tube	002884F	002885F	002886F	002887F	002888F
	Heat Exchange Tube Cupro Nickle	002895F	002896F	002897F	002898F	002899F
8-H	Baffle Kit	001650F	001651F	001652F	001653F	001654F
9-H	Stud Bolt Kit	001051F	001051F	001051F	001051F	001051F
10-H	Header Gasket	800001B	800001B	800001B	800001B	800001B
11-H	Sensor Well	007211F	007211F	007211F	007211F	007211F
12-H	Well Retaining Clip	300203	300203	300203	300203	300203
J	J BOX					
1-J	J Box D-1	N/A	N/A	N/A	N/A	N/A
	J Box E-8/E-9	N/A	N/A	N/A	N/A	N/A
	J Box C2 C3 IRI	N/A	N/A	N/A	N/A	N/A
2-J	Transformer Std/E8 E9 40 VA	006533F	006533F	006533F	006533F	006533F
	Spark Generator C2 C3 IRI	007361F	007361F	007361F	007361F	007361F
3-J	Relay SPST	007377F	007377F	007377F	007377F	007377F
	Relay DPDT (Not Shown)	650117	650117	650117	650117	650117
	Relay DPDT IRI (Not Shown)	N/A	N/A	N/A	N/A	N/A
4-J	Toggle Switch (Not Shown)	008079F	008079F	008079F	008079F	008079F
M	MISCELLANEOUS COMPONENTS					
1-M	PRV 45 PSI					
	PRV 60 PSI	007222F	007222F	007222F	007222F	007222F
	PRV 125 PSI (WT, THWS, TIP & TIPR)	007224F	007224F	007224F	007224F	007224F
2-M	Delimiting Kit	052870F	052870F	052870F	052870F	052870F
3-M	T & P Gauge 0-90 PSI	007205F	007205F	007205F	007205F	007205F
	T & P Gauge 0-200 PSI	007399F	007399F	007399F	007399F	007399F
4-M	Integral Pump (Not Shown)***	004844F	004844F	004844F	004844F	004844F

* FOR ALTITUDES ABOVE 2,000 FEET ABOVE SEA LEVEL, CONSULT THE FACTORY.

**REPLACEMENT BURNER TRAYS ARE BUILT FOR SEA LEVEL, NATURAL GAS APPLICATIONS UNLESS OTHERWISE SPECIFIED AT THE TIME THE ORDER IS PLACED.

***For individual pump parts see separate pump parts IPL 9300.100

CALL OUT	DESCRIPTION	489	587	685	750	848	945 (910)
P PILOT							
	STD/C591 IGN						
1-P	Pilot Nat.	002412F	002412F	002412F	002412F	002412F	002412F
	Pilot Pro.	N/A	N/A	N/A	N/A	N/A	N/A
2-P	Pilot Orifice Nat.	600552	600552	600552	600552	600552	600552
	Pilot Orifice Pro.	N/A	N/A	N/A	N/A	N/A	N/A
3-P	Thermocouple	600003	600003	600003	600003	600003	600003
4-P	Ignitor Standing (Piezo)	N/A	N/A	N/A	N/A	N/A	N/A
5-P	Ignition Control	600017F	600017F	600017F	600017F	600017F	600017F
6-P	Pilot Mounting Bracket	N/A	N/A	N/A	N/A	N/A	N/A
7-P	Pilot Tube (Specify Length)	400013	400013	400013	400013	400013	400013
D-1 A100S IGN							
1-P	Pilt Nat.	N/A	N/A	N/A	N/A	N/A	N/A
	Pilot Pro.	N/A	N/A	N/A	N/A	N/A	N/A
2-P	Pilot Orifice Nat.	N/A	N/A	N/A	N/A	N/A	N/A
	Pilot Orifice Pro.	N/A	N/A	N/A	N/A	N/A	N/A
3-P	Thermocouple	N/A	N/A	N/A	N/A	N/A	N/A
4-P	Ignition Control	N/A	N/A	N/A	N/A	N/A	N/A
5-P	Pilot Mounting Bracket	N/A	N/A	N/A	N/A	N/A	N/A
6-P	Pilot Tube (Specify Length)	400013	400013	400013	400013	400013	400013
7-P	Ignitor	N/A	N/A	N/A	N/A	N/A	N/A
E8/E9 G60 IGN							
1-P	Pilot Nat. (E8/E9)	N/A	N/A	N/A	N/A	N/A	N/A
	Pilot Pro. (E8)	N/A	N/A	N/A	N/A	N/A	N/A
2-P	Pilot Orifice Nat. (E8/E9)	N/A USE 1-P	N/A USE 1-P	N/A USE 1-P	N/A USE 1-P	N/A USE 1-P	N/A USE 1-P
	Pilot Orifice Pro. (E8)	N/A	N/A	N/A	N/A	N/A	N/A
3-P	Sensor Probe	N/A	N/A	N/A	N/A	N/A	N/A
4-P	Sensor Cable (Not Shown)	N/A	N/A	N/A	N/A	N/A	N/A
6-P	Ignition Control	600559F	600559F	600559F	600559F	600559F	600559F
7-P	Circuit Breaker (E9 Only)	N/A	N/A	N/A	N/A	N/A	N/A
8-P	Pilot Mounting Bracket	N/A	N/A	N/A	N/A	N/A	N/A
9-P	Pilot Tube (Specify Length)	400013	400013	400013	400013	400013	400013
C1 RA890F TORCH IGN (Not Shown)							
1-P	Pilot Nat.	N/A	N/A	N/A	N/A	N/A	N/A
	Pilot Pro.	N/A	N/A	N/A	N/A	N/A	N/A
2-P	Pilot Orifice Nat.	N/A	N/A	N/A	N/A	N/A	N/A
	Pilot Orifice Pro.	N/A	N/A	N/A	N/A	N/A	N/A
3-P	Thermocouple	600003	600003	600003	600003	600003	600003
4-P	Ignition Control (complete)	008702F	008702F	008702F	008702F	008702F	008702F
5-P	Pilot Mounting Bracket	N/A	N/A	N/A	N/A	N/A	N/A
6-P	Pilot Tube (Specify Length)	400013	400013	400013	400013	400013	400013
	Amplifier-Flame Rectification (not shown)	008092F	008092F	008092F	008092F	008092F	008092F
	Ignition Control (not shown)	007359F	007359F	007359F	007359F	007359F	007359F
C-2 RA890F/C3 RA890H IGN (Not Shown)							
1-P	Pilot Nat.	N/A	N/A	N/A	N/A	N/A	N/A
	Pilot Pro.	N/A	N/A	N/A	N/A	N/A	N/A
2-P	Pilot Orifice Nat.	N/A	N/A	N/A	N/A	N/A	N/A
	Pilot Orifice Pro.	N/A	N/A	N/A	N/A	N/A	N/A
3-P	Ignition Control C2 (F), C3 (H) (complete)	008702F	008702F	008702F	008702F	008702F	008702F
4-P	Pilot Mounting Bracket	N/A	N/A	N/A	N/A	N/A	N/A
5-P	Pilot Tube (Specify Length)	400013	400013	400013	400013	400013	400013
	Amplifier-Flame Rectification (not shown)	008092F	008092F	008092F	008092F	008092F	008092F
	Ignition Control (not shown)	007359F	007359F	007359F	007359F	007359F	007359F
R REFRACTORY							
1-R	Refractory Kit	N/A	N/A	000998F	000999F	001000F	001001F
2-R	Refractory Retainer Kit	N/A	N/A	000983F	000984F	000985F	000986F
S SHEETMETAL							
1-S	Jacket Top (Indoor)	N/A	N/A	N/A	N/A	N/A	N/A
2-S	Flat Top Assy. (Outdoor)	N/A	N/A	N/A	N/A	N/A	N/A
3-S	Flue Collector (Indoor)	N/A	N/A	N/A	N/A	N/A	N/A
4-S	Flue Collector (Outdoor)	N/A	N/A	N/A	N/A	N/A	N/A
5-S	Door Assy. (Indoor)	N/A	N/A	N/A	N/A	N/A	N/A
	Door Assy. (Outdoor)	N/A	N/A	N/A	N/A	N/A	N/A
	Door Assy. Left (Indoor)	N/A	N/A	N/A	N/A	N/A	N/A
	Door Assy. Left (Outdoor)	N/A	N/A	N/A	N/A	N/A	N/A
6-S	Door Assy. Right (Indoor)	N/A	N/A	N/A	N/A	N/A	N/A
	Door Assy. Right (Outdoor)	N/A	N/A	N/A	N/A	N/A	N/A
7-S	Access Panel Group 2" w/Pump	N/A	N/A	N/A	N/A	N/A	N/A
	Access Panel Group 2-1/2" w/Pump	002660F	002660F	002660F	002660F	002660F	002660F
8-S	Access Panel Group 2" w/Pump	002303F	002303F	002303F	002303F	002303F	002303F
9-S	Control Cover	N/A	N/A	N/A	N/A	N/A	N/A
10-S	Pump Cover	002671F	002671F	002671F	002671F	002671F	002671F
11-S	J-Box Sheetmetal	N/A	N/A	N/A	N/A	N/A	N/A
12-S	Gas Train Cover	N/A	N/A	N/A	N/A	N/A	N/A
V VENTING							
1-V	Stackless Top Kit (Outdoor)	N/A	N/A	N/A	N/A	N/A	N/A
2-V	Drafthood (Indoor)	N/A	N/A	N/A	006484	006484	006484

CALL OUT	DESCRIPTION	1060 (1020)	1239 (1193)	1353 (1303)	1467 (1413)	1630 (1570)
P	PILOT					
1-P	STD/C591 IGN Pilot Nat. Pilot Pro.	002412F N/A	002412F N/A	002412F N/A	002412F N/A	002412F N/A
2-P	Pilot Orifice Nat. Pilot Orifice Pro.	600552 N/A	600552 N/A	600552 N/A	600552 N/A	600552 N/A
3-P	Thermocouple	600003	600003	600003	600003	600003
4-P	Ignitor Standing (Piezo)	N/A	N/A	N/A	N/A	N/A
5-P	Ignition Control	600017F	600017F	600017F	600017F	600017F
6-P	Pilot Mounting Bracket	N/A	N/A	N/A	N/A	N/A
7-P	Pilot Tube (Specify Length)	400013	400013	400013	400013	400013
1-P	D-1 A100S IGN Pilt Nat. Pilot Pro.	N/A N/A	N/A N/A	N/A N/A	N/A N/A	N/A N/A
2-P	Pilot Orifice Nat. Pilot Orifice Pro.	N/A N/A	N/A N/A	N/A N/A	N/A N/A	N/A N/A
3-P	Thermocouple	N/A	N/A	N/A	N/A	N/A
4-P	Ignition Control	N/A	N/A	N/A	N/A	N/A
5-P	Pilot Mounting Bracket	N/A	N/A	N/A	N/A	N/A
6-P	Pilot Tube (Specify Length)	400013	400013	400013	400013	400013
7-P	Ignitor	N/A	N/A	N/A	N/A	N/A
1-P	E8/E9 G60 IGN Pilot Nat. (E8/E9) Pilot Pro. (E8)	N/A N/A	N/A N/A	N/A N/A	N/A N/A	N/A N/A
2-P	Pilot Orifice Nat. (E8/E9) Pilot Orifice Pro. (E8)	N/A USE 1-P N/A	N/A USE 1-P N/A	N/A USE 1-P N/A	N/A USE 1-P N/A	N/A USE 1-P N/A
3-P	Sensor Probe	N/A	N/A	N/A	N/A	N/A
4-P	Sensor Cable (Not Shown)	N/A	N/A	N/A	N/A	N/A
6-P	Ignition Control	600559F	600559F	600559F	600559F	600559F
7-P	Circuit Breaker (E9 Only)	N/A	N/A	N/A	N/A	N/A
8-P	Pilot Mounting Bracket	N/A	N/A	N/A	N/A	N/A
9-P	Pilot Tube (Specify Length)	400013	400013	400013	400013	400013
1-P	C1 RA890F TORCH IGN (Not Shown) Pilot Nat. Pilot Pro.	N/A N/A	N/A N/A	N/A N/A	N/A N/A	N/A N/A
2-P	Pilot Orifice Nat. Pilot Orifice Pro.	N/A N/A	N/A N/A	N/A N/A	N/A N/A	N/A N/A
3-P	Thermocouple	600003	600003	600003	600003	600003
4-P	Ignition Control	007359F	007359F	007359F	007359F	007359F
5-P	Pilot Mounting Bracket	N/A	N/A	N/A	N/A	N/A
6-P	Pilot Tube (Specify Length) Amplifier-Flame Rectification (not shown) Ignition Control (not shown)	400013 008092F 007359F	400013 008092F 007359F	400013 008092F 007359F	400013 008092F 007359F	400013 008092F 007359F
1-P	C-2 RA890F/C3 RA890H IGN (Not Shown) Pilot Nat. Pilot Pro.	N/A N/A	N/A N/A	N/A N/A	N/A N/A	N/A N/A
2-P	Pilot Orifice Nat. Pilot Orifice Pro.	N/A N/A	N/A N/A	N/A N/A	N/A N/A	N/A N/A
3-P	Ignition Control C2 (F), C3 (H) (complete)	008072F	008072F	008072F	008072F	008072F
4-P	Pilot Mounting Bracket	N/A	N/A	N/A	N/A	N/A
5-P	Pilot Tube (Specify Length) Amplifier-Flame Rectification (not shown) Ignition Control (not shown)	400013 008092F 007359F	400013 008092F 007359F	400013 008092F 007359F	400013 008092F 007359F	400013 008092F 007359F
R	REFRACTORY					
1-R	Refractory Kit	001002F	001003F	001004F	001005F	001006F
2-R	Refractory Retainer Kit	000987F	000988F	000989F	000990F	000991F
S	SHEETMETAL					
1-S	Jacket Top (Indoor)	002293F	002294F	002295F	002296F	002297F
2-S	Flat Top Assy. (Outdoor)	002312F	002313F	002314F	002315F	002316F
3-S	Flue Collector (Indoor)	N/A	002917F	N/A	N/A	N/A
4-S	Flue Collector (Outdoor)	002258F	002259F	002260F	002261F	002262F
5-S	Door Assy. (Indoor) Door Assy. (Outdoor)					
	Door Assy. Left (Indoor)	002265F	002266F	002267F	002268F	002269F
	Door Assy. Left (Outdoor)	002279F	002280F	002281F	002282F	002283F
6-S	Door Assy. Right (Indoor)	002272F	002273F	002274F	002275F	002276F
	Door Assy. Right (Outdoor)	002286F	002287F	002288F	002289F	002290F
7-S	Access Panel Group 2" w/Pump	N/A	N/A	N/A	N/A	N/A
	Access Panel Group 2-1/2" w/Pump	002660F	002660F	002660F	002660F	002660F
8-S	Access Panel Group	002303F	002303F	002303F	002303F	002303F
9-S	Control Cover	N/A	N/A	N/A	N/A	N/A
10-S	Pump Cover	002671F	002671F	002671F	002671F	002671F
11-S	J-Box Sheetmetal	N/A	N/A	N/A	N/A	N/A
12-S	Gas Train Cover	N/A	N/A	N/A	N/A	N/A
V	VENTING					
1-V	Stackless Top Kit (Outdoor)	002305F	002306F	002307F	002308F	002309F
2-V	Drafhood (Indoor)	006485	006485	006486	006486	006486

B-3 (W902) CONTROLLER		PART NO.
Outdoor Reset Controller (W902)		N/A
Outdoor Temp Sensor		N/A
Water Sensor		N/A
Motor (M944J) (B3-1)		N/A
Motor (M944J) (B3-2)		N/A
Potentiometer		N/A
Auxiliary End Switch (B3-1)		N/A
Auxiliary End Switch (B3-2)		N/A
Actuator		600449
Relay-DPDT 120V		008145F

CALL OUT	PARTS DESCRIPTION	PART NO.	T										TA										
			489	587	685	750	848	945	1060	1239	1353	1467	1630	489	587	685	750	848	945	1060	1239	1353	1467
G	GAS VALVES																						
	Manual "B" Valve 1/8"	007195F				1	1	1	1	1	1	1	1	1				1	1	1	1	1	1
	Manual "A" Valve 1"	007189F			1	1	1										1	1	1	1	1	1	1
	Manual "A" Valve 1/4"	007190F						1	1	1						1	1	1	1	1	1	1	1
	Manual "A" Valve 1/2"	007933F									1	1	1						1	1	1	1	1
	Pressure Regulator Nat 1/8"	600217				1	1	1	1	1	1	1	1				1	1	1	1	1	1	1
	Pressure Regulator Pro 1/8"	003568F				1	1	1	1	1	1	1	1				1	1	1	1	1	1	1
	Pressure Regulator Nat 1 1/4"	600035															1	1	1	1	1	1	1
	Pressure Regulator Pro 1 1/4"	003639F															1	1	1	1	1	1	1
	Pressure Regulator Nat 1 1/2"	600044																		1	1	1	1
	Pressure Regulator Pro 1 1/2"	003617F																			1	1	1
	Pressure Regulator Nat 2"	600036											1										
	Pressure Regulator Pro 2"	003604F										1									1	1	1
	Pilot Gas Valve 1/8"	600154																		1	1	1	1
	Pilot Gas Valve 1/8"	600562				1	1	1	1	1	1	1	1				1	1	1	1	1	1	1
	Combination Gas Valve Nat 1"	600631				1	1																
	Combination Gas Valve Pro 1"	N/A									1	1	1	1									
	Combination Gas Valve Nat 1"	600668F																					
	Combination Gas Valve Pro 1"	003640F			1	1	1	1	1														
	Combination Gas Valve Nat 1-1/4"	600632						1	1	1													
	Combination Gas Valve Pro 1"	N/A							1	1	1	1	1										
	Auto On/Off Valve 1-1/4"	004094F			1																		
	Auto On/Off Valve 1-1/2"	004095F																					
	Combination Gas Valve Nat 1 1/2"	600633											1	1									
	Auto On/Off Valve 2"	004096F										1											
	Mod Valve 120°-240°F	N/A	2	2	2	2	3	3	3	3	3	3	4	4									
	Mod Valve 85°-210°F	N/A																					
	Mod Valve 110°-170°F	N/A																					
	Mod Valve 150°-210°F	N/A																					
	Mod Valve 140°F Max	N/A																					
	Combination Gas Valve Pro 1"	600802																					
	Gas Valve Body 1-1/4"	014014F															1	1	1	1	1	1	1
	Gas Valve Body 1-1/2"	600452																		1	1	1	1
	Gas Valve Body 2"	600453																				1	1
	Combination 2-Stage GV Nat 1"	600655																				1	1
	Combination 2-Stage GV Nat 1-1/4"	003607F																				1	1
	Actuator	600449															1	1	1	1	1	1	1

* REQUIRED FOR IRI MODELS



www.raypak.com