

**COMMERCIAL
Y-SERIES ELECTRONIC BOILER SEQUENCER**

CATALOG NO. 9300.86
Effective: 08-19-10
Replaces: NEW

RAYPAK ILLUSTRATED PARTS LIST

**MODEL SIZE: Y-2B, Y-3B, Y-4B & Y-5B
MODEL TYPE: RAYTHERM & HI DELTA**

DATE OF MANUFACTURE: 1996 THROUGH 2004

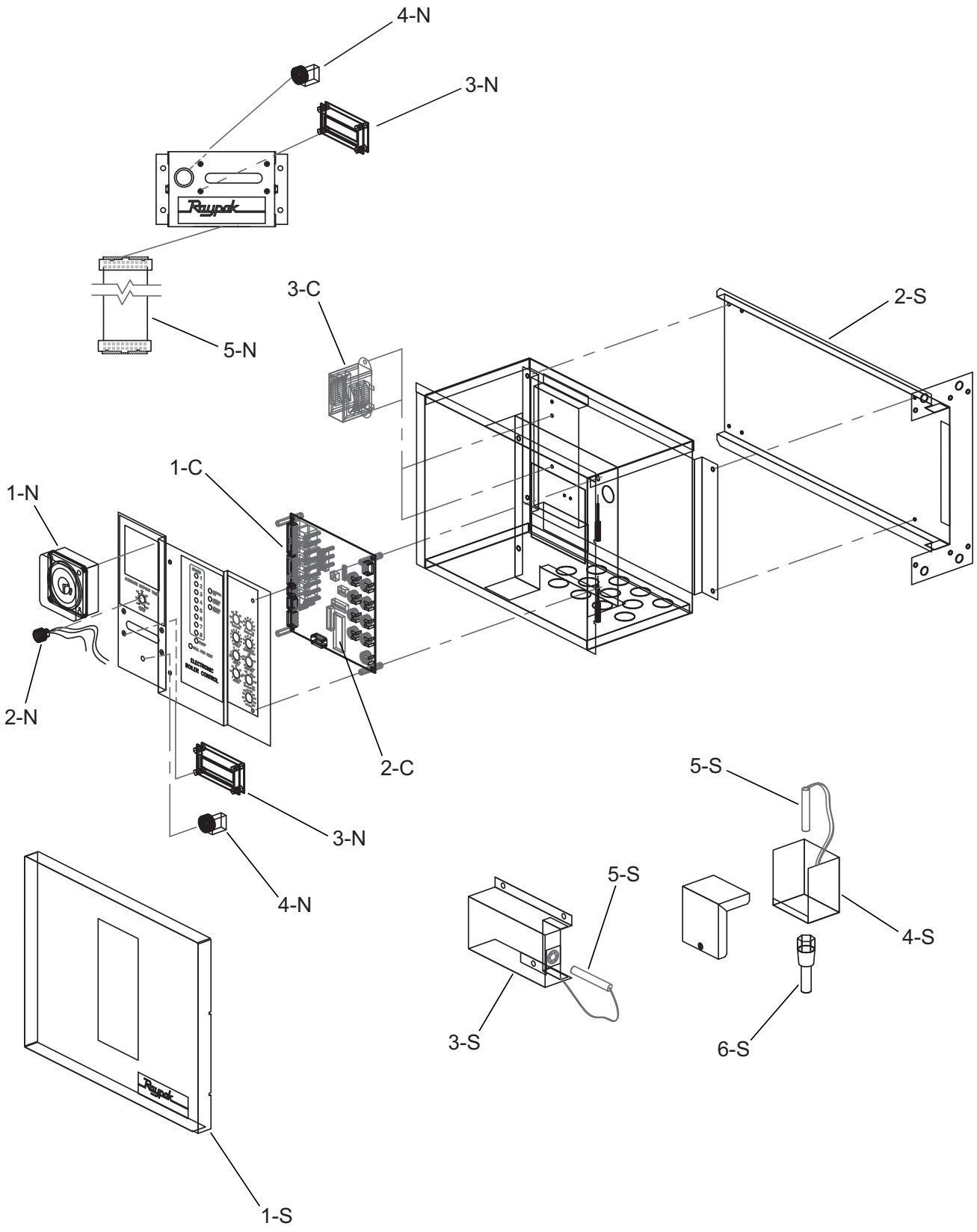
THE PARTS LISTED ARE FOR STANDARD EQUIPMENT FOR THIS MODEL TYPE. RAYPAK RESERVES THE RIGHT TO SUBSTITUTE, DELETE OR CHANGE ANY PART WITHOUT NOTIFICATION. THE ADDITION OF OPTIONS MAY ALSO CHANGE SOME OF THE PARTS. ORDER REPLACEMENT PARTS FROM ACTUAL HEATER COMPONENTS.



FOR DETAILED INSTRUCTIONS, SEE "HOW TO USE YOUR RAYPAK ILLUSTRATED PARTS LIST",
CATALOG NO. 9001.10



Raypak, Inc., 2151 Eastman Avenue, Oxnard, CA 93030
(805) 278-5300 Fax (800) 872-9725
Litho In U.S.A.



CALL OUT	DESCRIPTION	PART NO
1-C	PC Board Standard	006039F
	PC Board w/ Night Set Back	006034F
2-C	Programmed Eprom	005764F
	Programmed Eprom w/ Night Set Back	006031F
3-C	Transformer	005657F
1-S	Door w/Window	N/A
2-S	Side Mount Bracket	N/A
3-S	Air Temperature Sensor Complete	005700F
4-S	Water Temperature Sensor Complete	005701F
5-S	Air/Water Temperature Sensor	005299B
6-S	Well Assembly	004821F
1-N	Timer	006033F
2-N	Alternate Setpoint Adjustment	006032F
3-N	Diagnostic Display	006764F
4-N	Alarm Rest Switch	005641F
5-N	Ribbon Cable	006765F



www.raypak.com