

APPROVED

RAYPAK ILLUSTRATED PARTS LIST

THE PARTS LISTED ARE FOR STANDARD EQUIPMENT FOR THIS MODEL TYPE. RAYPAK RESERVES THE RIGHT TO SUBSTITUTE, DELETE OR CHANGE ANY PART WITHOUT NOTIFICATION. THE ADDITION OF OPTIONS MAY ALSO CHANGE SOME OF THE PARTS. ORDER REPLACEMENT PARTS FROM ACTUAL HEATER COMPONENTS.

MVB (MODULATING VERTICAL BOILER H, WH CAT IV)
MODELS 503, 753, 1003, 1253, 1503, 1753 & 2003
DATES OF MANUFACTURE: 6-01-06 THROUGH 1-31-13



For detailed instructions, see “How to Use your Raypak Illustrated Parts List”, Catalog No. 9001.10

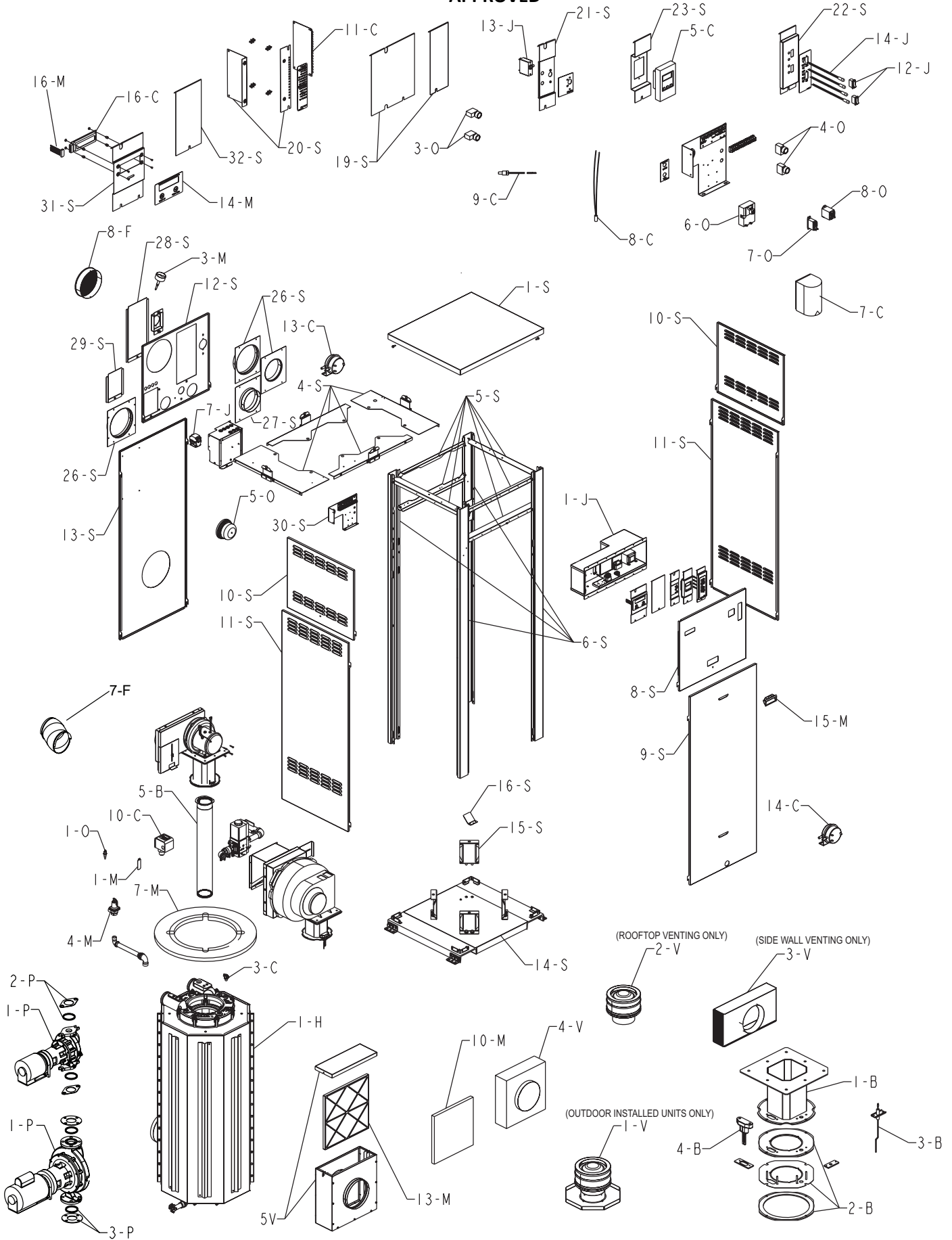
Raypak[®]
A Rheem[®] Company

Effective: 02-26-21

Replaces: 11-15-18

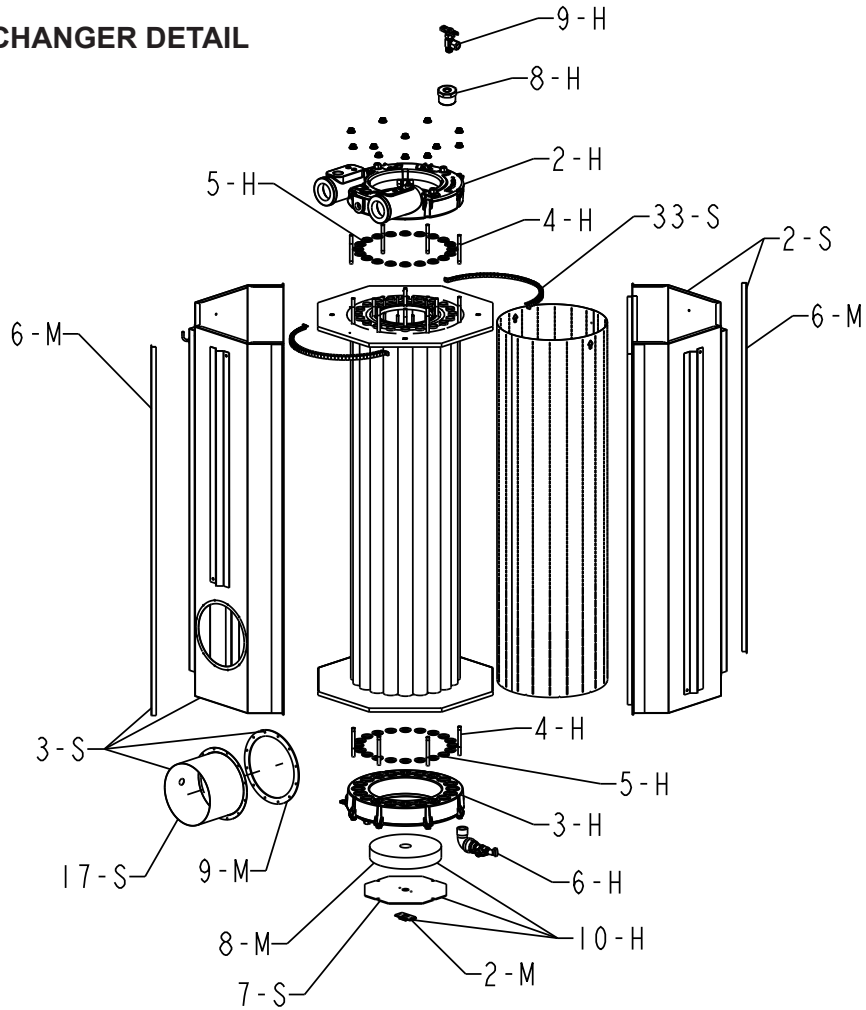
P/N: 241293 Rev. 15

UNCONTROLLED DOCUMENT IF PRINTED

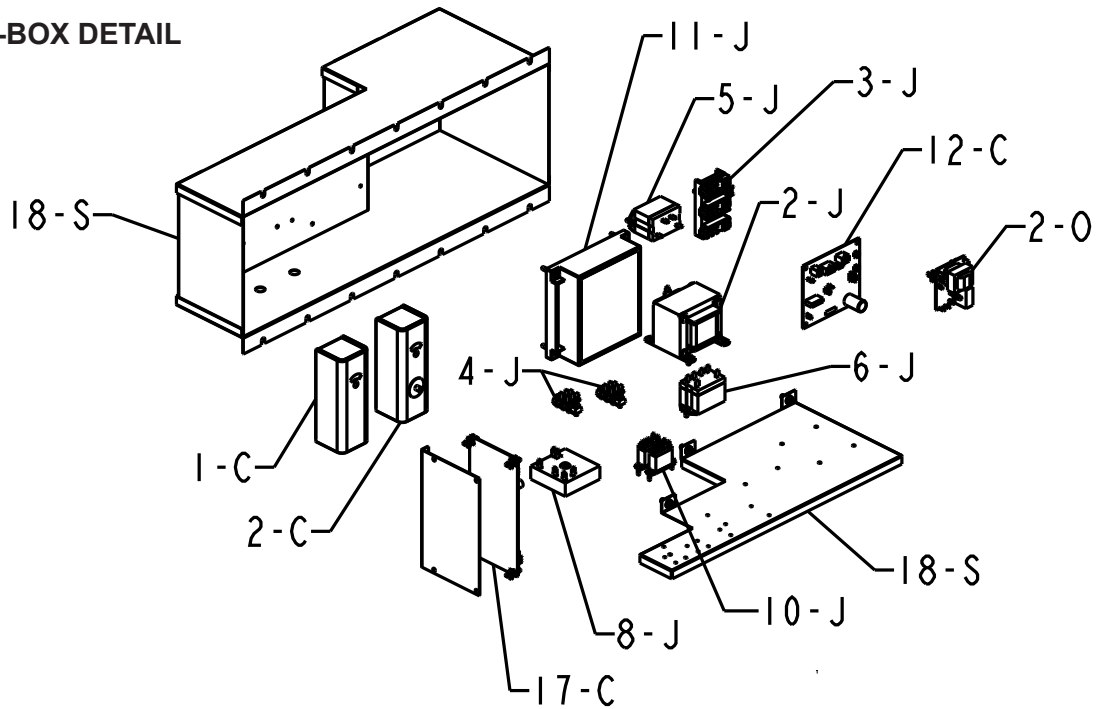


APPROVED

HEAT EXCHANGER DETAIL



J-BOX DETAIL

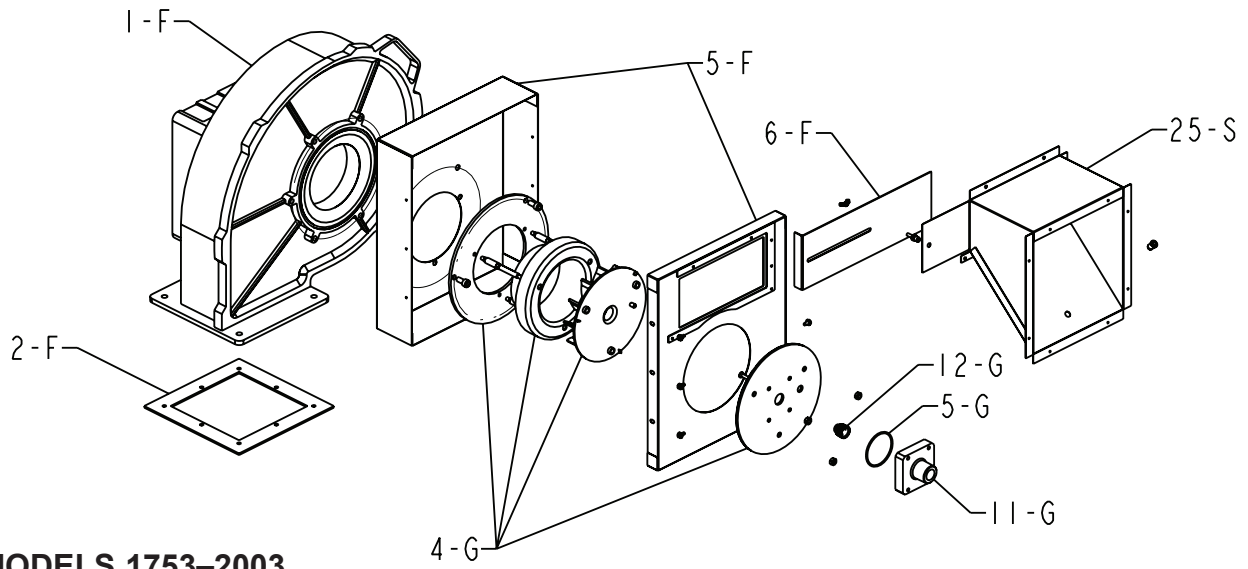
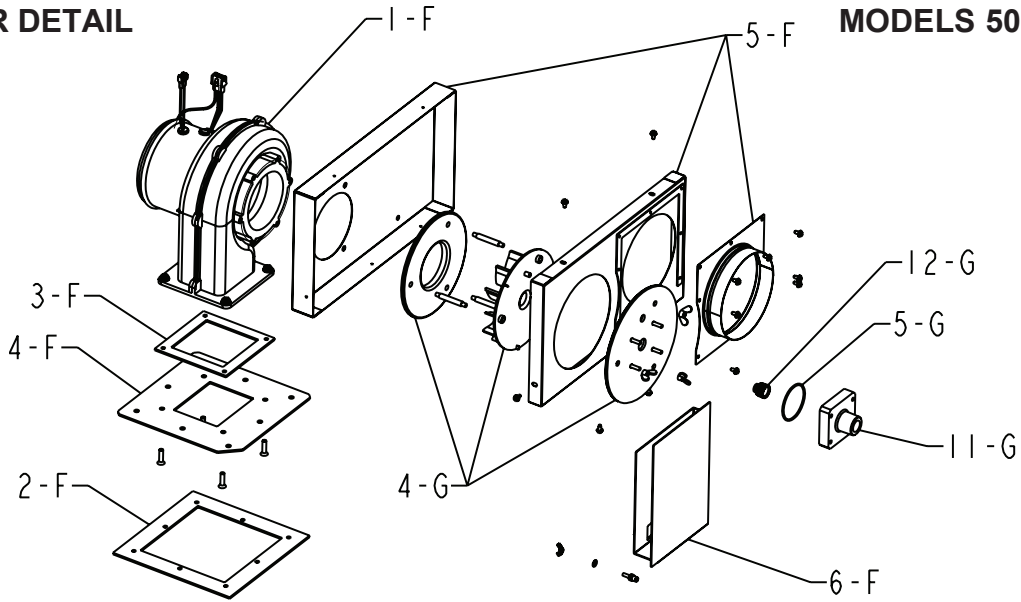


UNCONTROLLED DOCUMENT IF PRINTED

APPROVED

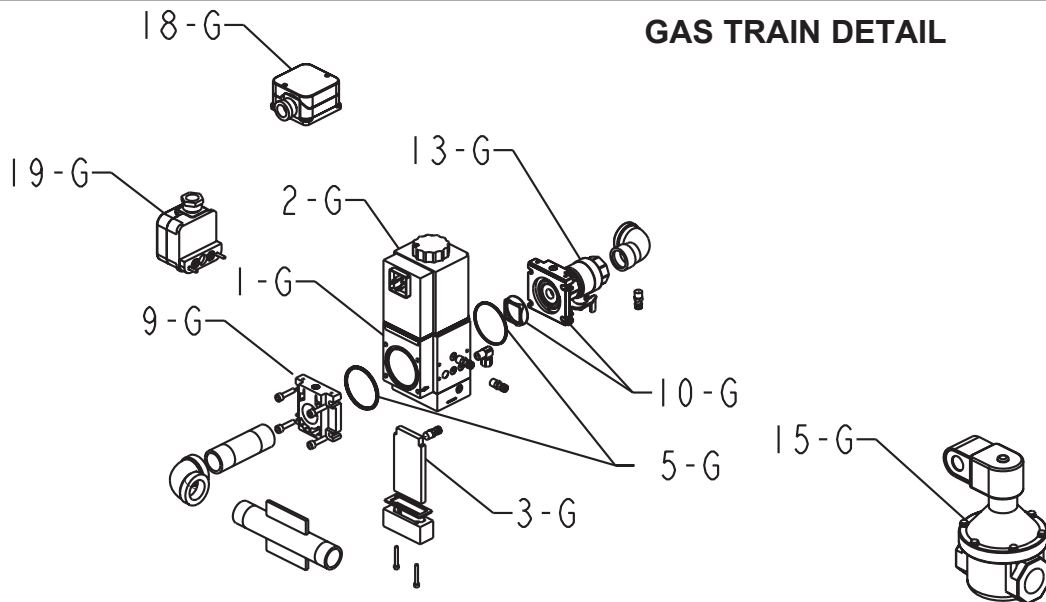
BLOWER DETAIL

MODELS 503-1503



MODELS 1753-2003

GAS TRAIN DETAIL



UNCONTROLLED DOCUMENT IF PRINTED

APPROVED

CALL OUT	DESCRIPTION	503	753	1003	1253	1503	1753	2003
B	BURNER ASSEMBLY							
1-B	Adapter Assembly	011749F	011749F	011749F	011749F	011749F	011750F	011750F
2-B	Adapter Gaskets and Heat Shield	011751F	011751F	011751F	011751F	011751F	011751F	011751F
3-B	Flame Sensor Probe	011752F	011752F	011752F	011752F	011752F	011752F	011752F
4-B	Igniter	007400F	007400F	007400F	007400F	007400F	007400F	007400F
5-B	Burner	011753F	011754F	011754F	011755F	011755F	011756F	011756F
C	CONTROLS							
1-C	Auto Reset Adjustable High Limit 240F Max	011860F	011860F	011860F	011860F	011860F	011860F	011860F
	Auto Reset Adjustable High Limit 180F Max	006445F	006445F	006445F	006445F	006445F	006445F	006445F
	Auto Reset Adjustable High Limit 200F Max	012546F	012546F	012546F	012546F	012546F	012546F	012546F
2-C	Manual Reset Adjustable High Limit 240F	007144F	007144F	007144F	007144F	007144F	007144F	007144F
	Manual Reset Adjustable High Limit 200F	008081F	008081F	008081F	008081F	008081F	008081F	008081F
3-C	Manual Reset Fixed High Limit 240F	008520F	008520F	008520F	008520F	008520F	008520F	008520F
	Manual Reset Fixed High Limit 200F	008093F	008093F	008093F	008093F	008093F	008093F	008093F
4-C	Remote Aquastat (Tankstat) 2-Stage B-3 (Not Shown)	007392F	007392F	007392F	007392F	007392F	007392F	007392F
5-C	Controller Modulating (Tekmar) Units manufactured prior to 1/21/08 (601809) Units manufactured from 1/21/08 (601845)	011757F 012407F	011757F 012407F	011757F 012407F	011757F 012407F	011757F 012407F	011757F 012407F	011757F 012407F
6-C	Controller 4-Stage B-21 Digital Optional (Not Shown) Controller 2-Stage B-26 Digital Optional (Not Shown)	009862F 009861F	009862F 009861F	009862F 009861F	009862F 009861F	009862F 009861F	009862F 009861F	009862F 009861F
7-C	Sensor Outdoor Air B-32	010786F	010786F	010786F	010786F	010786F	010786F	010786F
8-C	Sensor Water B-21 thru B-26	010787F	010787F	010787F	010787F	010787F	010787F	010787F
9-C	Sensor Water screw-In (Tekmar)	011861F	011861F	011861F	011861F	011861F	011861F	011861F
10-C	Flow Switch	007142F	007142F	007142F	007142F	007142F	007142F	007142F
11-C	Printed Circuit Board UDB (Diagnostic) w/LED Lights Units manufactured prior to 12/2008	018416F	018416F	018416F	018416F	018416F	018416F	018416F
17-C	Printed Circuit Board UDB (Diagnostic) w/LCD Display Units manufactured from 12/2008	012571F	012571F	012571F	012571F	012571F	012571F	012571F
16-C	Diagnostic Display	012662F	012662F	012662F	012662F	012662F	012662F	012662F
12-C	Printed Circuit Board UGB (Blower)	N/A	N/A	N/A	N/A	N/A	011759F	011759F
13-C	Air Vent Pressure Switch	011862F	011862F	011760F	011862F	011760F	011760F	011760F
14-C	Air Intake Pressure Switch	011761F	011761F	011761F	011761F	011761F	011761F	011761F
J	CONTROL BOX							
1-J	Control Box Complete	N/A	N/A	N/A	N/A	N/A	N/A	N/A
2-J	Transformer 120/24	011762F	011762F	011762F	011762F	011762F	011762F	011762F
3-J	Terminal Block w / Ground Lug	008523F	008523F	008523F	008523F	008523F	008523F	008523F
4-J	Terminal Block 2 Space	011763F	011763F	011763F	011763F	011763F	011763F	011763F
5-J	Blower Relay 120 VAC	008977F	008977F	008977F	008977F	008977F	N/A	N/A
6-J	Pump Relay 24 VAC	007925F	007925F	007925F	007925F	007925F	007925F	007925F
7-J	Pump Contactor 120 VAC (Over 3/4 HP Pumps)	007906F	007906F	007906F	007906F	007906F	007906F	007906F
8-J	Time Delay Contactor 5 Second Time Delay Contactor 5 Second Make/2 Second Break	008921F 012184F	008921F 012184F	008921F 012184F	008921F 012184F	008921F 012184F	008921F 012184F	008921F 012184F
11-J	Ignition Control HSI Single Try Ignition Control HSI Three Try	009057F 007374F	009057F 007374F	009057F 007374F	009057F 007374F	009057F 007374F	009057F 007374F	009057F 007374F
12-J	Rocker Switch (Burner / Pump)	006872F	006872F	006872F	006872F	006872F	006872F	006872F
13-J	On / Off Shut Down Switch	007380F	007380F	007380F	007380F	007380F	007380F	007380F
14-J	Indicator Lamp	011848F	011848F	011848F	011848F	011848F	011848F	011848F
F	FAN							
1-F	Blower Combustion Air	011764F	011764F	011764F	011764F	011764F	011765F	011765F
2-F	Blower Gasket	011885F	011885F	011885F	011885F	011885F	011885F	011885F
3-F	Adapter Gasket	011886F	011886F	011886F	011886F	011886F	N/A	N/A
4-F	Adapter Plate	011887F	011887F	011887F	011887F	011887F	N/A	N/A
5-F	Plenum Assembly	011863F	011863F	011863F	011863F	011863F	011864F	011864F
6-F	Air Shutter	011875F	011875F	011875F	011875F	011875F	011876F	011876F
7-F	Hose Duct 6"	007420F	007420F	007420F	007420F	007420F	N/A	N/A
8-F	Screen Intake Vent Cap	007162F	007162F	007162F	011865F	011865F	011865F	011865F
G	GAS TRAIN							
1-G	Valve Gas Modulating 24V (Dungs) Natural Gas	011766F	011766F	011766F	011766F	011766F	011768F	011768F
	Valve Gas Modulating 24V (Dungs) Propane Gas	011766F	011766F	011766F	011766F	011766F	011766F	011766F
2-G	Valve Coil 24V Nat	012310F	012310F	012310F	012310F	012310F	012311F	012311F
	Valve Coil 24V Pro	012310F	012310F	012310F	012310F	012310F	012310F	012310F
3-G	Inlet Gas Filter Natural Gas	012294F	012294F	012294F	012294F	012294F	012295F	012295F
	Inlet Gas Filter Propane Gas	012294F	012294F	012294F	012294F	012294F	012294F	012294F
4-G	Swirler	011888F	011888F	011888F	011888F	011888F	011889F	011889F
5-G	O Rings (Includes Gas Valve and Adapter O Rings)	012440F	012440F	012440F	012440F	012440F	012440F	012440F
9-G	Adapter Gas Valve 1" Inlet Adapter Gas Valve 1-1/4" Inlet Adapter Gas Valve 2" Inlet	011915F N/A N/A	011915F N/A N/A	011915F 011916F N/A	011915F 011916F N/A	011915F 011916F N/A	011915F N/A 011917F	011915F N/A 011917F
10-G	Adapter Gas Valve Outlet Units manufactured prior to 4/7/08 Units manufactured From 4/8/08	012296F 012545F	012296F 012545F	012296F 012545F	012296F 012545F	012296F 012545F	012297F 012297F	012297F 012297F
11-G	Adapter Swirl Plate	012298F	012298F	012298F	012298F	012298F	012298F	012298F
12-G	Nozzle Natural Gas Nozzle Propane Gas	012299F 012306F	012300F 012307F	012301F 012308F	012302F 012308F	012303F 012308F	012304F 012300F	012305F 012301F
13-G	Valve Gas Ball (WOG)	011769F	011769F	011769F	011769F	011769F	011769F	011769F
14-G	Motorized Safety Shut Off Actuator (Optional)	011908F	011908F	011908F	011908F	011908F	011908F	011908F
15-G	Solenoid Safety Shut Off Valve Nat (Optional) Solenoid Safety Shut Off Valve Pro (Optional)	011909F 011909F	011909F 011909F	011910F 011909F	011910F 011909F	011910F 011909F	011911F 011909F	011911F 011909F
17-G	Vent Valve Gas (Optional) Not Shown	011913F	011913F	011914F	011914F	011914F	011914F	011914F
18-G	Switch Low Gas Pressure (Optional)	011770F	011770F	011770F	011770F	011770F	011770F	011770F
19-G	Switch High Gas Pressure (Optional)	011771F	011771F	011771F	011771F	011771F	011771F	011771F

APPROVED

CALL OUT	DESCRIPTION	503	753	1003	1253	1503	1753	2003
H	HEAT EXCHANGER							
1-H	Heat Transfer Cupro-Nickel Bronze (Includes 15-S)	011780F	011781F	011782F	011783F	011784F	011785F	011786F
	Heat Transfer Cupro-Nickel Cast Iron (Includes 15-S)	011959F	011961F	011963F	011965F	011967F	011969F	011971F
	Heat Transfer Copper Bronze (Includes 15-S)	011773F	011774F	011775F	011776F	011777F	011778F	011779F
	Heat Transfer Copper Cast Iron (Includes 15-S)	011958F	011960F	011962F	011964F	011966F	011968F	011970F
2-H	Inlet/Outlet Header Bronze	009102F	009102F	009103F	009103F	009103F	009103F	009103F
	Inlet/Outlet Header Cast Iron	012331F	012331F	012332F	012332F	012332F	012332F	012332F
3-H	Return Header Bronze	007204F	007204F	007204F	007204F	007204F	007204F	007204F
	Return Header Cast Iron	012330F	012330F	012330F	012330F	012330F	012330F	012330F
4-H	Stud Bolt	009104F	009104F	009104F	009104F	009104F	009104F	009104F
5-H	Header Gasket (20 PCS)	007343F	007343F	007343F	007343F	007343F	007343F	007343F
6-H	Drain Valve	006536F	006536F	006536F	006536F	006536F	006536F	006536F
7-H	Automatic Air Vent Valve (Not Shown) (For Units Built Prior to 2/15/18)	011866F	011866F	011866F	011866F	011866F	011866F	011866F
8-H	Manual Air Vent Valve Bushing	016282F	016282F	016282F	016282F	016282F	016282F	016282F
9-H	Manual Air Vent Valve	016970F	016970F	016970F	016970F	016970F	016970F	016970F
10-H	Insulation/ Sight Glass & Header Cover	017058F	017058F	017058F	017058F	017058F	017058F	017058F
M	MISCELLANEOUS COMPONENTS							
1-M	Flow Switch Paddle (Taco)	010026F	010026F	010026F	010026F	010026F	010026F	010026F
2-M	Window Combustion Chamber	006947F	006947F	006947F	006947F	006947F	006947F	006947F
3-M	T & P Gauge 0-90 PSI	007205F	007205F	007205F	007205F	007205F	007205F	007205F
	T & P Gauge 0-200 PSI	007399F	007399F	007399F	007399F	007399F	007399F	007399F
	T & P Gauge 0-230 PSI	014221F	014221F	014221F	014221F	014221F	014221F	014221F
4-M	PRV 30 PSI	007217F	007218F	007219F	007219F	007248F	007248F	007248F
	PRV 45 PSI	007220F	007346F	007221F	007221F	007751F	007751F	007752F
	PRV 60 PSI	007222F	007222F	007222F	007753F	007753F	007754F	007754F
	PRV 75 PSI	007223F	007223F	007223F	007223F	007756F	007756F	007756F
	PRV 125 PSI	011912F	011912F	007224F	007224F	007224F	007758F	007758F
	PRV 150 PSI	007225F	007225F	007225F	007225F	007225F	007225F	007225F
5-M	RTV Sealant 2.8 oz. (Not Shown)	008924F	008924F	008924F	008924F	008924F	008924F	008924F
	RTV Sealant 10 oz. (Not Shown)	005755F	005755F	005755F	005755F	005755F	005755F	005755F
6-M	Flue Collector Vertical Seal Gasket	011772F	011772F	011772F	011772F	011772F	011772F	011772F
7-M	Heat Transfer Insulation Blanket	011896F	011896F	011896F	011896F	011896F	011896F	011896F
8-M	Insulation Blanket Return Header	007241F	007241F	007241F	007241F	007241F	007241F	007241F
9-M	Flue Exhaust Adapter Gasket	009735F	009735F	009735F	009736F	009736F	009736F	009736F
10-M	Inline Intake Air Filter	008402F	008402F	008402F	011897F	011897F	011897F	011897F
13-M	Inline Intake Air Filter Premium	012553F	012553F	012553F	012552F	012552F	012552F	012552F
14-M	Membrane Switch	012598F	012598F	012598F	012598F	012598F	012598F	012598F
11-M	Touch-up Paint							
	Green	750125	750125	750125	750125	750125	750125	750125
	Dark Gray	750126	750126	750126	750126	750126	750126	750126
	Cool Dark Gray	750256	750256	750256	750256	750256	750256	750256
12-M	Wire Harness							
	Units manufactured prior to 1/31/08	014680F	014680F	014680F	014680F	014680F	014680F	014680F
	Units manufactured without 30-S wiring Panel	012538F	012538F	012538F	012538F	012538F	012538F	012538F
	Units manufactured with 30-S Wiring Panel	012566F	012566F	012566F	012566F	012566F	012566F	012566F
	Units manufactured with 16-C LCD Display	012652F	012652F	012652F	012652F	012652F	012652F	012652F
16-M	LCD Display Wire Harness	011715F	011715F	011715F	011715F	011715F	011715F	011715F
15-M	Plastic Handle	012681F	012681F	012681F	012681F	012681F	012681F	012681F
	OPTIONS							
1-O	Remote Sensor (LWCO)	007228F	007228F	007228F	007228F	007228F	007228F	007228F
2-O	Control PC Board (LWCO)	007157F	007157F	007157F	007157F	007157F	007157F	007157F
3-O	Test / Reset Switch (LWCO)	005641F	005641F	005641F	005641F	005641F	005641F	005641F
4-O	Silencer/Reset Switch (Alarm)	005641F	005641F	005641F	005641F	005641F	005641F	005641F
5-O	Alarm Bell 3"	005642F	005642F	005642F	005642F	005642F	005642F	005642F
	Alarm Bell 4"	005643F	005643F	005643F	005643F	005643F	005643F	005643F
6-O	Time Delay Contactor 5 Second (Alarm / Dry contacts)	008921F	008921F	008921F	008921F	008921F	008921F	008921F
7-O	Relay SPDT 24 VAC (Alarm / Dry Contact)	009039F	009039F	009039F	009039F	009039F	009039F	009039F
8-O	Relay DPDT 24 VAC (Alarm)	011720F	011720F	011720F	011720F	011720F	011720F	011720F
P	PUMPS*							
1-P	Pump -Circulating - Bronze (Soft Water)	007226F	007226F	007227F	011845F	007348F	007351F	007351F
	Pump -Circulating - Bronze (Medium Water)	007226F	007347F	011845F	007351F	007351F	007937F	007937F
	Pump -Circulating - Bronze (Hard Water)	007349F	007349F	007351F	007351F	007351F	007937F	007937F
	Pump -Circulating - CI (Soft Water)	007232F	007232F	007233F	011846F	007354F	007357F	007357F
	Pump -Circulating - CI (Medium Water)	007232F	007353F	011846F	007357F	007357F	007938F	007938F
	Pump -Circulating - CI (Hard Water)	007355F	007355F	007357F	007357F	007357F	007938F	007938F
2-P	Pump Flange Gasket (2 Bolt)	013423F	013423F	013423F	013423F	013423F	013423F	013423F
3-P	Pump Flange Gasket (4 Bolt)						014000F	014000F

* For individual pump parts see separate pump parts IPL 9300.100

APPROVED

CALL OUT	DESCRIPTION	503	753	1003	1253	1503	1753	2003
S	SHEETMETAL							
1-S	Jacket Top	011833F	011833F	011833F	011833F	011833F	011833F	011833F
2-S	Flue Collector Front (No Opening) (Includes 6-M)	011787F	011788F	011789F	011790F	011791F	011792F	011793F
3-S	Flue Collector Rear (Opening) (Includes 6-M, 17-S, 9-M)	011794F	011795F	011796F	011797F	011798F	011799F	011800F
4-S	Heat Transfer Supports	009107F	009107F	009107F	009107F	009107F	009107F	009107F
5-S	Upper Cabinet Supports	011849F	011849F	011849F	011849F	011849F	011849F	011849F
6-S	Vertical Cabinet Supports	011801F	011802F	011803F	011804F	011805F	011806F	011807F
7-S	Return Header Cover	007257F	007257F	007257F	007257F	007257F	007257F	007257F
8-S	Jacket Upper Front Panel	011808F	011808F	011808F	011808F	011808F	011809F	011809F
	Jacket Upper Front Panel w/LCD Display	012699F	012699F	012699F	012699F	012699F	012700F	012700F
9-S	Jacket Lower Front Panel	011810F	011811F	011812F	011813F	011814F	011815F	011816F
10-S	Jacket Upper Side Panel	011817F	011817F	011817F	011817F	011817F	011818F	011818F
11-S	Jacket Lower Side Panel	011819F	011820F	011821F	011822F	011823F	011824F	011825F
12-S	Jacket Upper Rear Panel	011877F	011877F	011878F	011879F	011879F	011880F	011880F
13-S	Jacket Lower Rear Panel	011826F	011827F	011828F	011829F	011830F	011831F	011832F
14-S	Base Assembly	009129F	009129F	009129F	009129F	009129F	009129F	009129F
15-S	Leg Bracket (4 pcs per boiler)	007306F	007306F	007306F	007306F	007306F	007306F	007306F
16-S	Base Reflector Panel	007307F	007307F	007307F	007307F	007307F	007307F	007307F
17-S	Flue Exhaust Adapter Assembly	011900F	011900F	011900F	011901F	011901F	011901F	011901F
18-S	Control Box Assy	011869F	011869F	011869F	011869F	011869F	011869F	011869F
19-S	Control Box Cover (2 Panels)	011870F	011870F	011870F	011870F	011870F	011870F	011870F
20-S	Control Box Cover Panel w/LED Lights	011871F	011871F	011871F	011871F	011871F	011871F	011871F
31-S	Control Box Cover Panel w/LCD Display	012697F	012697F	012697F	012697F	012697F	012697F	012697F
32-S	Control Box Cover Panel	012698F	012698F	012698F	012698F	012698F	012698F	012698F
21-S	Power Switch Mounting Panel	011872F	011872F	011872F	011872F	011872F	011872F	011872F
22-S	Blower/Pump Switch Mounting Panel	011873F	011873F	011873F	011873F	011873F	011873F	011873F
23-S	Controller Mounting Panel	011874F	011874F	011874F	011874F	011874F	011874F	011874F
25-S	Intake Air Adapter	N/A	N/A	N/A	N/A	N/A	011881F	011881F
26-S	Intake Air Collar (Outside)	011898F	011898F	011898F	011899F	011899F	011882F	011882F
27-S	Intake Air Collar (Inside)	011905F	011905F	011905F	011905F	011905F	N/A	N/A
28-S	Access Panel	011883F	011883F	011883F	011883F	011883F	011884F	011884F
29-S	Access Panel Wiring Box	011906F	011906F	011906F	011906F	011906F	011906F	011906F
30-S	Wiring Panel 24V							
	Units manufactured without 16-C LCD Display	012567F	012567F	012567F	012567F	012567F	012567F	012567F
	Units manufactured with 16-C LCD Display	012636F	012636F	012636F	012636F	012636F	012636F	012636F
33-S	Heat Shield Baffle	007212F	007212F	007212F	007212F	007212F	007212F	007212F
V	VENTING							
1-V	Outdoor Stack	014622F	014622F	014622F	014623F	014623F	014623F	014623F
2-V	Vent Cap Vertical for Indoor Units	10802	10802	10802	10803	10803	10803	10803
3-V	Vent Cap Horizontal Thru-the-Wall for Indoor Units	6644	6644	6644	6646	6646	6646	6646
4-V	Inline Air filter (Complete)	6926	6926	6926	6927	6927	6927	6927
5-V	Inline Air filter Premium (Complete)	12460	12460	12460	12461	12461	12461	12461

APPROVED

