

RAYPAK ILLUSTRATED PARTS LIST

The parts listed are for standard equipment for this model type. Raypak reserves the right to substitute, delete or change any part without notification. The addition of options may also change some of the parts. Order replacement parts from actual heater components.

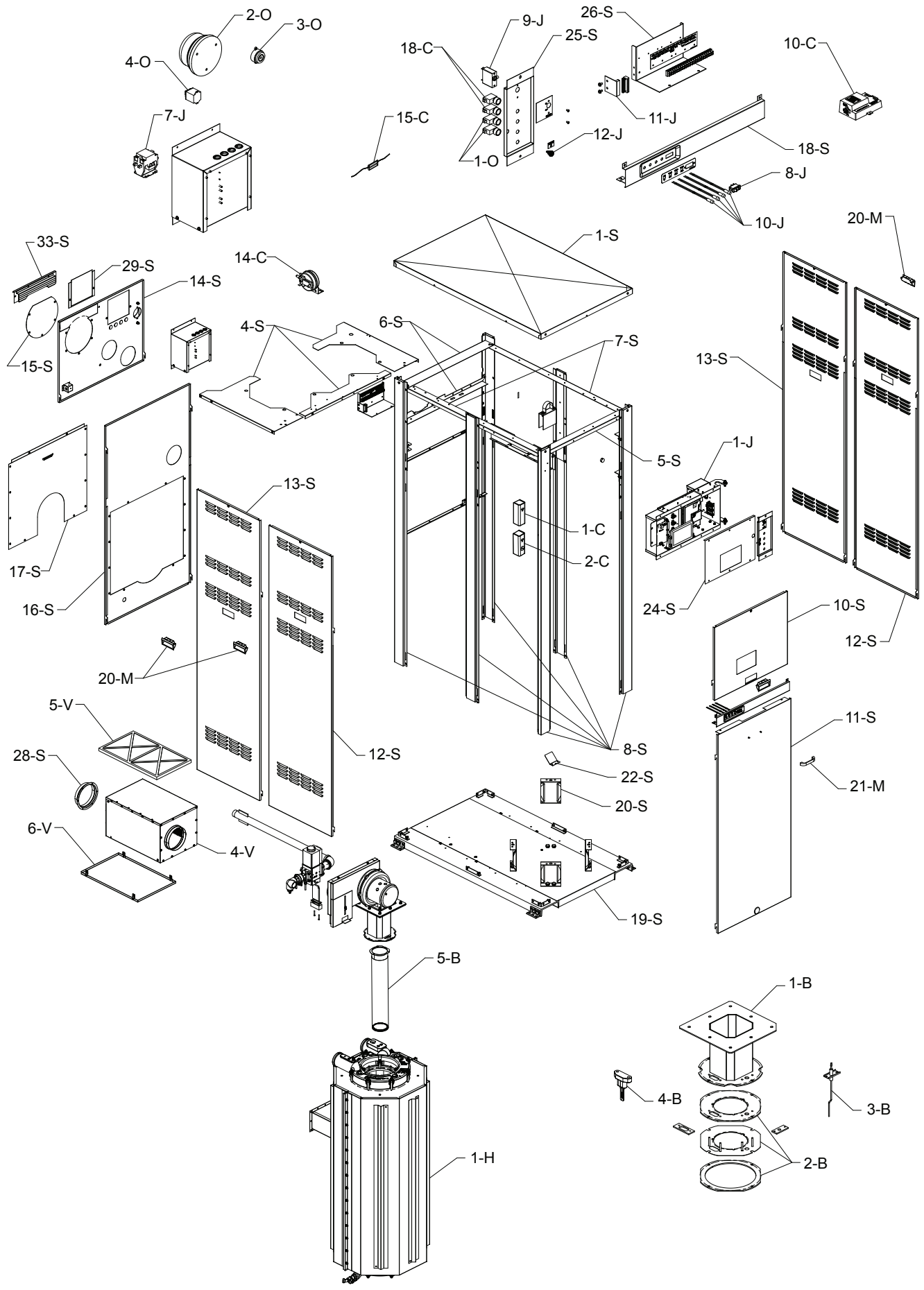
**PROFESSIONAL INDIRECT POOL HEATER POWERED BY XTHERM
COMMERCIAL MODELS 1005A, 1505A, and 2005A
DATES OF MANUFACTURE: 03-01-18**



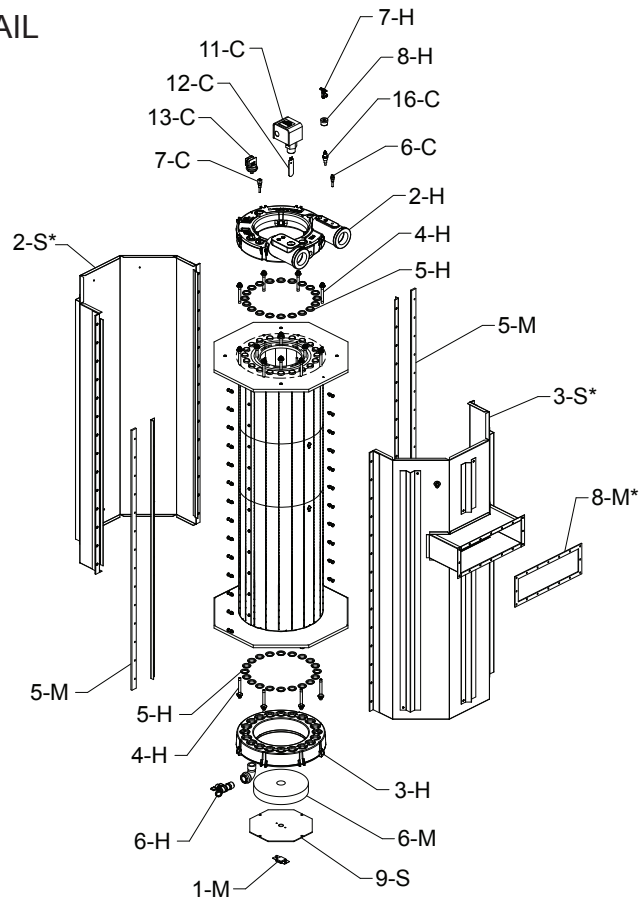
For detailed instructions, see “How to Use your Raypak Illustrated Parts List”, Catalog No. 9001.10

Raypak®

A Rheem® Company

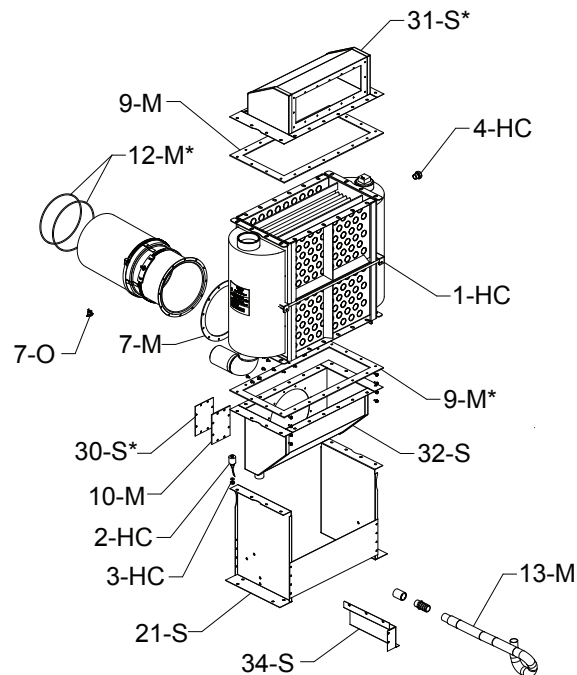


HEAT EXCHANGER DETAIL



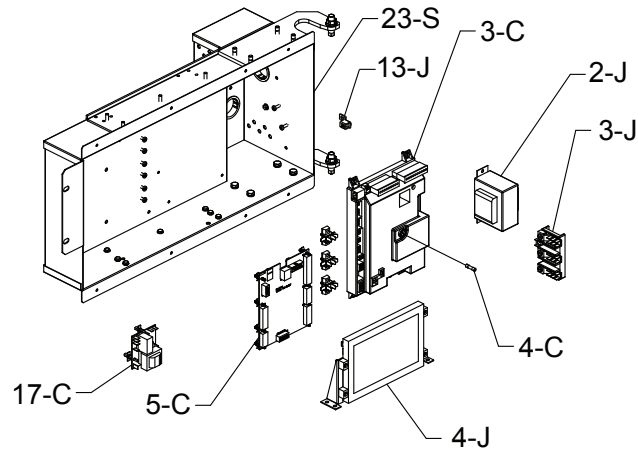
* SURFACES REQUIRE HIGH-TEMPERATURE RTV SEALANT (ITEM 4-M).
FOLLOW MANUFACTURER'S INSTRUCTIONS.

SECONDARY HEAT EXCHANGER DETAIL

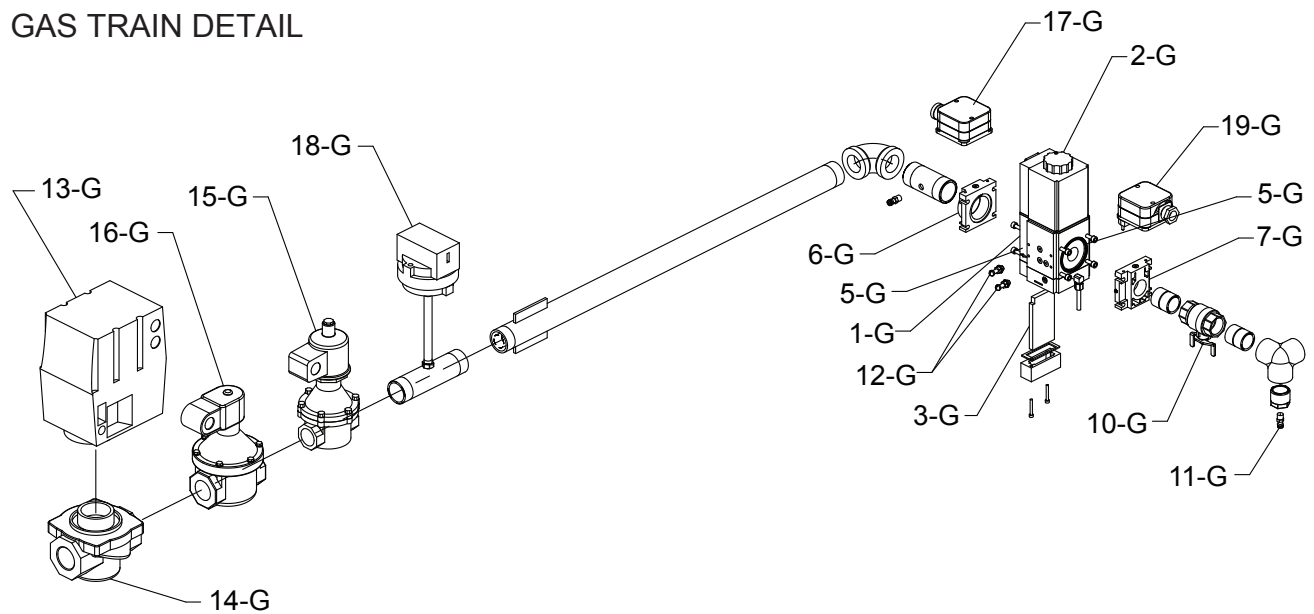


* SURFACES REQUIRE HIGH-TEMPERATURE RTV SEALANT (ITEM 4-M).
FOLLOW MANUFACTURER'S INSTRUCTIONS.

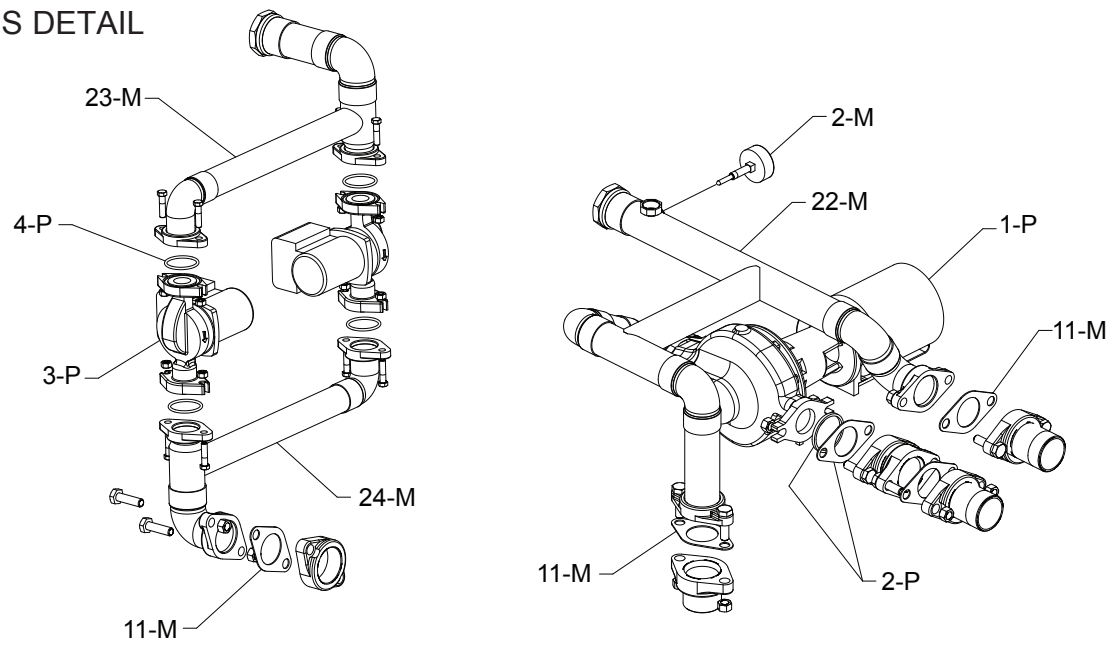
J-BOX DETAIL



GAS TRAIN DETAIL

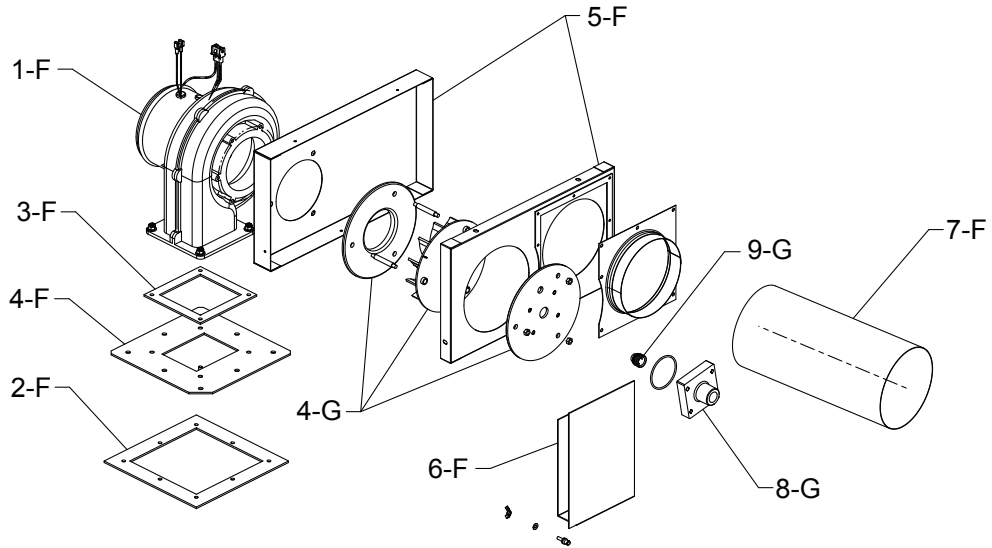


BYPASS DETAIL



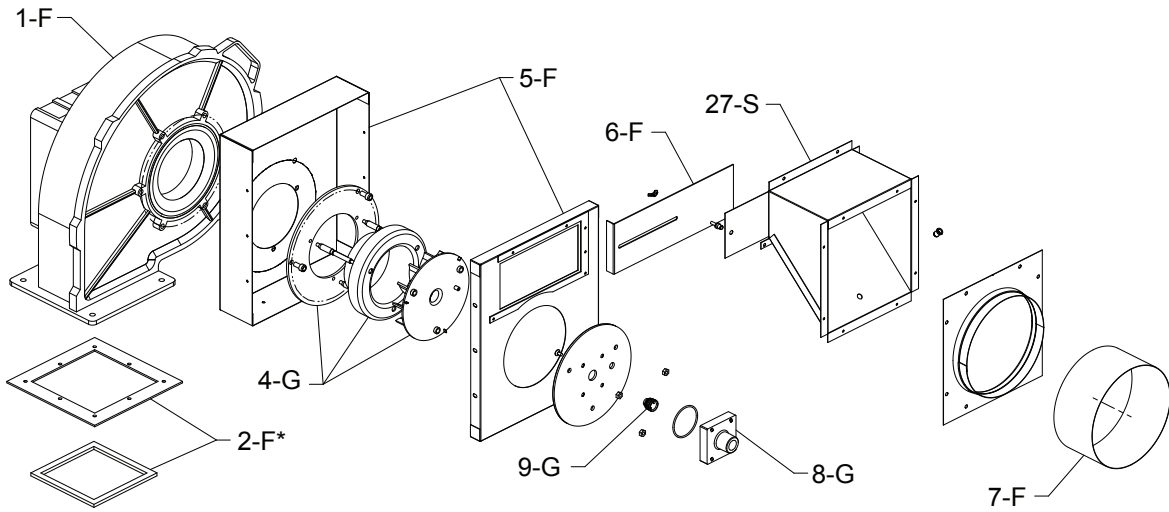
BLOWER DETAIL

MODELS 1005A and 1505A



BLOWER DETAIL

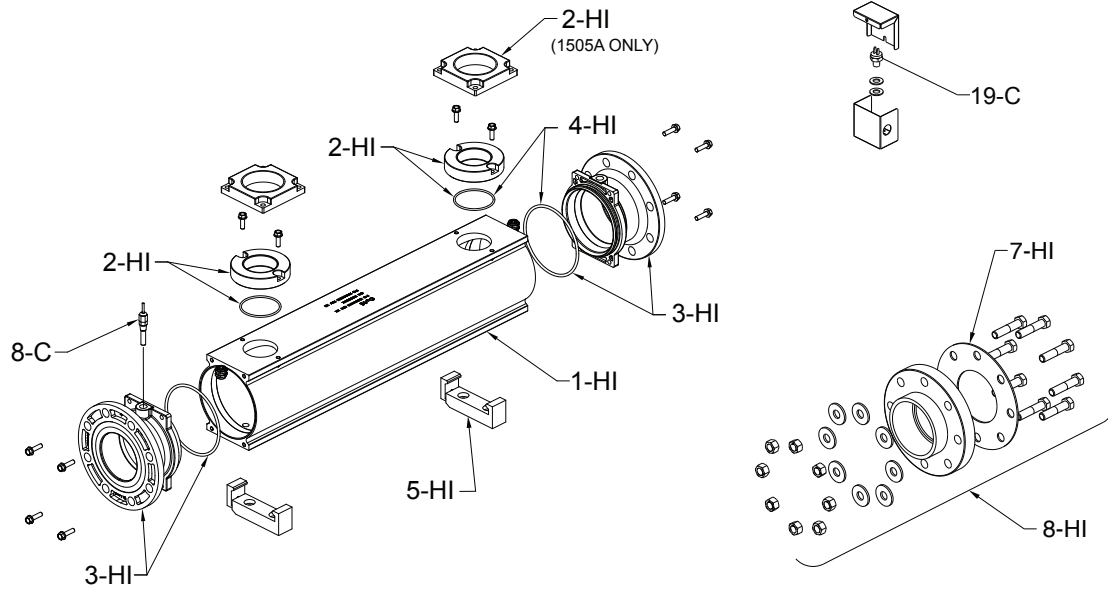
MODEL 2005A



* SURFACES REQUIRE HIGH-TEMPERATURE RTV SEALANT (ITEM 4-M).
FOLLOW MANUFACTURER'S INSTRUCTIONS.

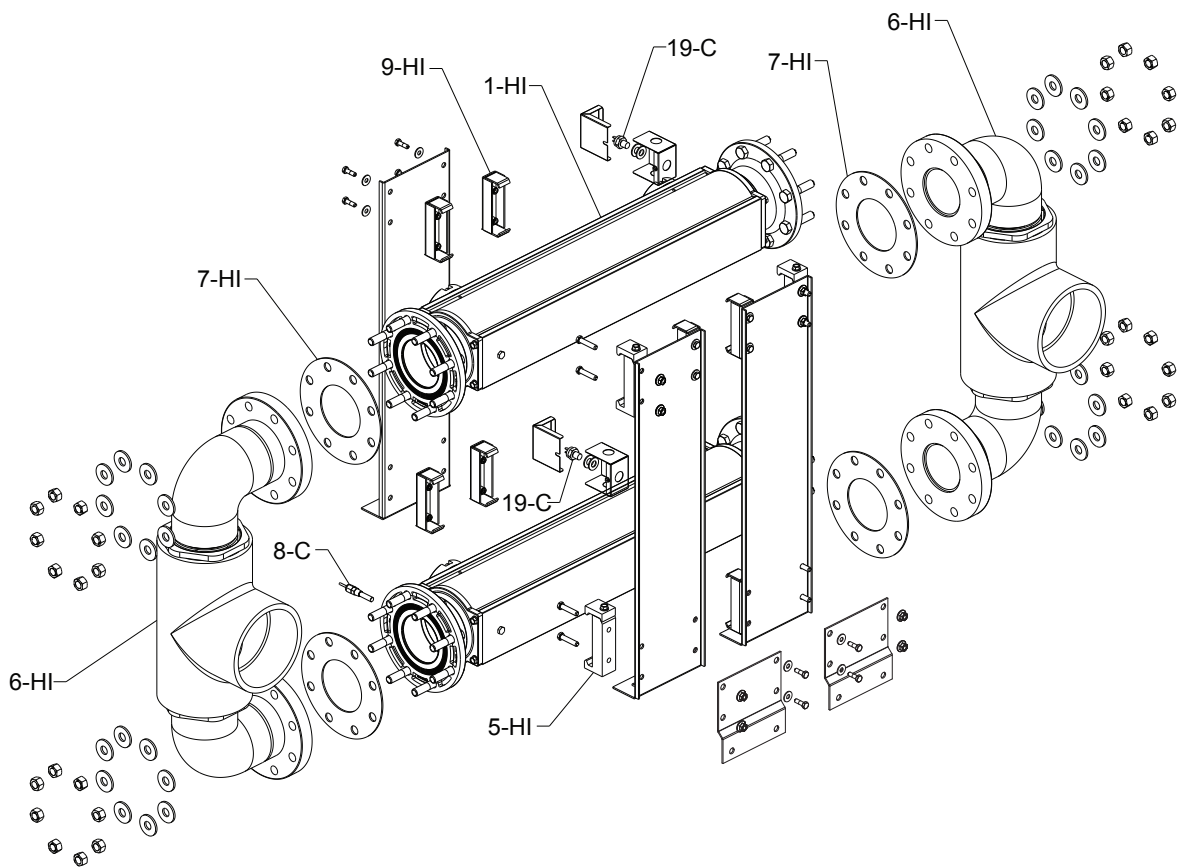
INDIRECT POOL HEAT EXCHANGER DETAIL

MODELS 1005A and 1505A

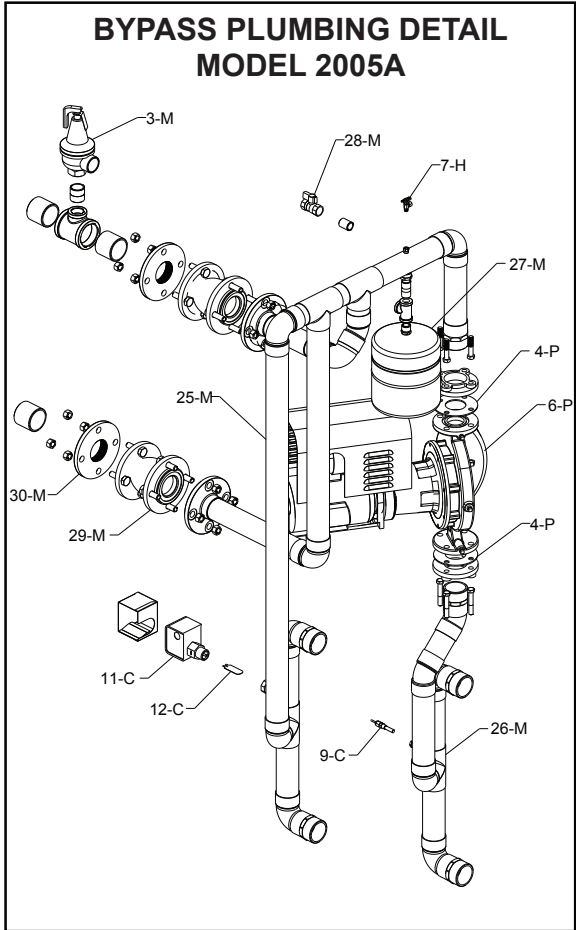
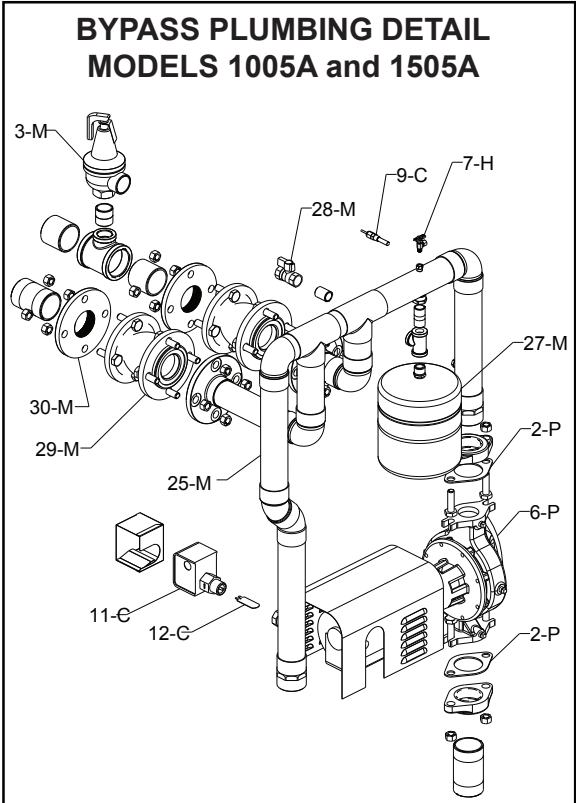
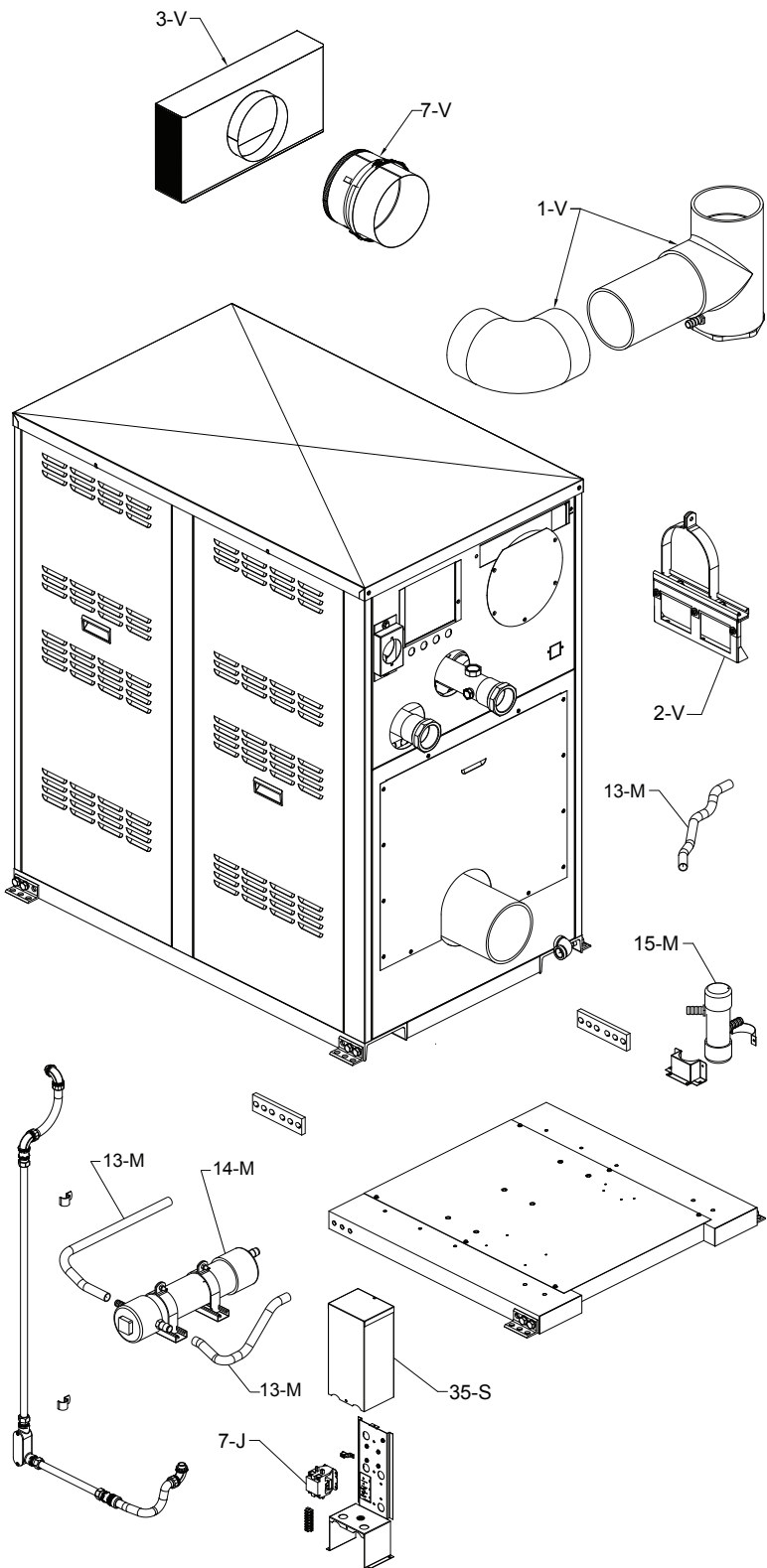


INDIRECT POOL HEAT EXCHANGER DETAIL

MODEL 2005A



SECONDARY SKID DETAIL



CALL OUT	DESCRIPTION	1005A	1505A	2005A
B	BURNER ASSEMBLY			
1-B	Adapter Assembly	011749F	011749F	011750F
2-B	Adapter Gaskets and Heat Shield	011751F	011751F	011751F
3-B	Flame Sensor Probe	011752F	011752F	011752F
4-B	Igniter	007400F	007400F	007400F
5-B	Burner	011754F	011755F	011756F
C	CONTROLS			
1-C	Auto Reset Adjustable High Limit 240F Max	011860F	011860F	011860F
2-C	Manual Reset Adjustable High Limit 200F	008081F	008081F	008081F
3-C	PIM (Platform Ignition Module) Multi Try	014324F	014324F	014324F
	PIM (Platform Ignition Module) Single Try CSD-1	014325F	014325F	014325F
4-C	Fuse 5 Amp (Fast Acting)	013971F	013971F	013971F
5-C	PC Board Versa IC	013935F	013935F	013935F
6-C	Inlet Sensor (2 Wire)	013175F	013175F	013175F
7-C	Outlet/Limit Sensor (4 Wire)	013932F	013932F	013932F
8-C	Indirect System Water Sensor 10K	016936F	016936F	016936F
9-C	Indirect System Water Sensor 10K	016936F	016936F	016936F
10-C	Gateway BACnet Interface Module B-85	016617F	016617F	016617F
	Gateway LonWorks Interface Module B-86	016618F	016618F	016618F
11-C	Flow Switch	007142F	007142F	007142F
12-C	Flow Switch Paddle (Taco)	010026F	010026F	010026F
13-C	Water Pressure Switch	016932F	016932F	016932F
14-C	Vent Pressure Switch	011760F	011760F	011760F
15-C	Fuse 5 Amp (Pump) (Slow Blow)	013972F	013972F	013972F
16-C	Remote Sensor (LWCO)	007228F	007228F	007228F
17-C	Control PC Board (LWCO)	007157F	007157F	007157F
18-C	Test / Reset Switch (LWCO)	005641F	005641F	005641F
19-C	Temperature Limit 140F Auto	016971F	016971F	016971F
J	CONTROL BOX			
1-J	Control Box Complete	N/A	N/A	N/A
2-J	Transformer 120/24 100 VA	007494F	007494F	007494F
3-J	Terminal Block w/Ground Lug	008523F	008523F	008523F
4-J	Touchscreen Display	015878F	015878F	015878F
5-J	SD Card Programmed (Not Shown)	015877F	015877F	015877F
6-J	Lithium Battery 3V (Not Shown)	015888F	015888F	015888F
7-J	Pump Contactor 120 VAC (Wiring Box)	007906F	007906F	007906F
8-J	Rocker Switch	009493F	009493F	009493F
9-J	On / Off Shut Down Switch 30 Amp	007380F	007380F	007380F
10-J	Indicator Lamp LED	011848F	011848F	011848F
11-J	PC Board Adapter Status Lights Wiring	014712F	014712F	014712F
12-J	Reset Switch for Touchscreen	015879F	015879F	015879F
13-J	Ground Lug	007155F	007155F	007155F
F	FAN			
1-F	Blower Combustion Air	014556F	014556F	011765F
2-F	Adapter Gasket	011885F	011885F	011885F
3-F	Adapter Gasket	011886F	011886F	N/A
4-F	Adapter Plate	011887F	011887F	N/A
5-F	Plenum Assembly	011863F	011863F	011864F
6-F	Air Shutter	011875F	011875F	011876F
7-F	Hose Duct 6"	007420F	007420F	N/A
	Hose Duct 8"	N/A	N/A	012680F

CALL OUT	DESCRIPTION	1005A	1505A	2005A
G	GAS TRAIN			
1-G	Valve Gas Modulating 120V (Dungs) Natural Gas	013200F	013200F	014415F
	Valve Gas Modulating 120V (Dungs) Propane Gas	013200F	013200F	013200F
2-G	Valve Coil 120V Nat	013201F	013201F	014693F
	Valve Coil 120V Pro	013201F	013201F	013201F
3-G	Inlet Gas Filter Natural Gas	012294F	012294F	012295F
	Inlet Gas Filter Propane Gas	012294F	012294F	012294F
4-G	Intake Air Swirler	011888F	011888F	011889F
5-G	O-Rings (Includes Gas Valve and Adapter O-Rings)	012440F	012440F	012441F
6-G	Adapter Gas Valve 1" Inlet (Includes O-Rings)	011915F	011915F	011915F
	Adapter Gas Valve 1-1/4" Inlet (Includes O-Rings)	011916F	011916F	N/A
	Adapter Gas Valve 2" Inlet (Includes O-Rings)	N/A	N/A	011917F
7-G	Adapter Gas Valve Outlet w/Shutter (Includes O-Ring) Natural	013206F	013206F	014557F
	Adapter Gas Valve Outlet w/Shutter (Includes O-Ring) Propane	013206F	013206F	013206F
8-G	Adapter Swirl Plate	012298F	012298F	012298F
9-G	Nozzle Natural Gas	012304F	014467F	014467F
	Nozzle Propane Gas	012304F	012304F	012304F
10-G	Valve Gas Ball (WOG)	011769F	011769F	011769F
11-G	Bleedle Valve 1/8 MPT	007423F	007423F	007423F
12-G	Bleedle Valve G-1/8 BSP	015400F	015400F	015400F
13-G	Motorized Safety Shut Off Valve M-1 (Optional)	011908F	011908F	011908F
14-G	Gas Valve Body M1 Nat (Optional)	014015F	014015F	014558F
	Gas Valve Body M1 Pro (Optional)	014014F	014014F	014014F
15-G	Solenoid Safety Shut Off Valve M-10 Nat (Optional)	011910F	011910F	011911F
	Solenoid Safety Shut Off Valve M-10 Pro (Optional)	011909F	011909F	011909F
16-G	Vent Valve Gas M-15 Nat (Optional)	011914F	011914F	011914F
	Vent Valve Gas M-15 Pro (Optional)	011913F	011913F	011913F
17-G	Switch Low Gas Pressure	011770F	011770F	011770F
18-G	Switch Low Gas Pressure w/M-1 or M-10 (Optional)	007187F	007187F	007187F
19-G	Switch High Gas Pressure	011771F	011771F	011771F
H	HEAT EXCHANGER (Primary)			
1-H	Heat Transfer Copper Cast Iron (Includes 18-S)	014661F	014662F	014663F
2-H	Inlet/Outlet Header Cast Iron	014620F	014620F	014620F
3-H	Return Header Cast Iron	012330F	012330F	012330F
4-H	Stud Bolt	009104F	009104F	009104F
5-H	Header Gasket (20 PCS)	007343F	007343F	007343F
6-H	Drain Valve	006536F	006536F	006536F
7-H	Manual Air Vent Valve	016970F	016970F	016970F
8-H	Manual Air Vent Valve Bushing	016282F	016282F	016282F
HC	HEAT EXCHANGER (Condensing)			
1-HC	Heat Exch Stainless Steel (Includes 21-S)	012586F	012587F	012588F
2-HC	Condensate Float Switch	012589F	012589F	012589F
3-HC	O-Ring Seal	012590F	012590F	012590F
4-HC	Inspection Port Plug	N/A	N/A	015118F
HI	HEAT EXCHANGER (Indirect for Pool)			
1-HI	Heat Exchanger Cupro Nickel	016972F	016974F	016972F
	Heat Exchanger Titanium	016973F	016975F	016973F
2-HI	Flange Boiler Connection (Includes O-Rings)	016976F	016978F	016976F
3-HI	Flange Pool Connection CPVC (Includes O-Rings)	016977F	016979F	016977F
4-HI	O-Rings (Includes Boiler Flange and Pool Flange O-Rings)	016980F	016981F	016980F
5-HI	Mounting Bracket	016982F	016982F	016982F
6-HI	Indirect Plumbing Assy CPVC	N/A	N/A	017016F
7-HI	Gasket ANSI Flange	016995F	017041F	016995F
8-HI	Inlet/Outlet Flange CPVC	017030F	017031F	N/A
9-HI	Mounting Bracket (Steel)	N/A	N/A	017040F

CALL OUT	DESCRIPTION	1005A	1505A	2005A
M	MISCELLANEOUS COMPONENTS			
1-M	Window Combustion Chamber	006947F	006947F	006947F
2-M	T & P Gauge 0-90 PSI	007205F	007205F	007205F
3-M	PRV 30 PSI	007748F	007748F	007748F
4-M	RTV Sealant 2.8 oz. (Not Shown)	008924F	008924F	008924F
	RTV Sealant 10 oz. (Not Shown)	005755F	005755F	005755F
5-M	Flue Collector Vertical Seal Gasket	011772F	011772F	011772F
6-M	Insulation Blanket Return Header	007241F	007241F	007241F
7-M	Flue Exhaust Adapter Gasket Round	009735F	009736F	009736F
8-M	Flue Exhaust Adapter Gasket Rectangle	012591F	012592F	012592F
9-M	Plenum Gasket Upper and Lower	012593F	012593F	012594F
10-M	Access Panel Gasket Condensing Heat Exch	012595F	012595F	012595F
11-M	Flange Gasket 2-1/2" NPT	012596F	012596F	012596F
12-M	PVC Adapter O-Rings	017019F	017013F	017013F
13-M	Condensate Hose (Internal)	012597F	012597F	012597F
	Condensate Hose (External)	017017F	017017F	017017F
14-M	Condensate Neutralizer	016933F	016937F	016937F
15-M	Condensate Trap	016931F	016931F	016931F
16-M	Touch-up Paint (Not shown)			
	Green	750125	750125	750125
	Cool Dark Gray	750256	750256	750256
17-M	Wire Harness (Boiler harnesses) (Not shown)	014922F	014922F	014922F
	Wire Harness (Indirect Pool harnesses) (Not shown)	016984F	016984F	016985F
18-M	10 Pin Ribbon cable LED Status Lights (Not shown)	014555F	014555F	014555F
19-M	Versa IC Communication Cable CAT 5 (Not shown)	015556F	015556F	015556F
20-M	Plastic Handle	012681F	012681F	012681F
21-M	Metal Handle	014650F	014650F	014650F
22-M	Bypass Plumbing Assembly Copper	015787F	015788F	015790F
23-M	Dual Injector Pump Upper Plumbing Assembly	015791F	015791F	015791F
24-M	Dual Injector Pump Lower Plumbing Assembly	015792F	015792F	015792F
25-M	Bypass Assembly Indirect (Copper)	016988F	016989F	016990F
26-M	Plumbing Assembly Indirect (Copper)	N/A	N/A	016996F
27-M	Expansion Tank	016930F	016930F	016930F
28-M	Ball Valve manual	N/A	N/A	N/A
29-M	Expansion Flange	017069F	017069F	017069F
30-M	Companion Flange 2-1/2 NPT	017070F	017070F	017070F
O	OPTIONS			
1-O	Silencer/Reset Switch (Alarm)	005641F	005641F	005641F
2-O	Alarm Bell 4" 24V	005643F	005643F	005643F
3-O	Alarm Buzzer 24V	005640F	005640F	005640F
4-O	Relay 3PDT 24 VAC (Alarm)	014717F	014717F	014717F
5-O	System Flow Switch (Not shown)	017014F	017014F	017014F
6-O	System Flow Switch Paddle (Not shown)	017015F	017015F	017015F
7-O	PVC Vent Limit Switch Manual Reset	011868F	011868F	011868F

CALL OUT	DESCRIPTION	1005A	1505A	2005A
P	PUMPS*			
	Boiler Bypass Pump			
1-P	Cast Iron (H)	011846F	011846F	007357F
2-P	Pump Flange Gaskets	013423F	013423F	013423F
	Injector Pump			
3-P	Cast Iron Injector Pump	016927F	016927F	016927F
4-P	Pump Flange Gasket	008747F	008747F	008747F
5-P	Pump Cartridge (Not Shown)	951153F	951153F	951153F
	Indirect Pump			
6-P	Cast Iron	011846F	007354F	007938F
S	SHEETMETAL			
1-S	Jacket Top	014664F	014664F	014664F
2-S	Flue Collector Front (No Opening) (Includes 6-M)	011789F	011791F	011793F
3-S	Flue Collector Rear (Opening) (Includes 6-M and 9-M)	012603F	012604F	012605F
4-S	Heat Transfer Supports	014665F	014665F	014665F
5-S	Upper Cabinet Support Front	014666F	014666F	014666F
6-S	Upper Cabinet Supports Rear	014703F	014703F	014703F
7-S	Upper Cabinet Supports Side	014704F	014704F	014704F
8-S	Vertical Cabinet Supports with Stiffeners	014667F	014668F	014669F
9-S	Return Header Cover	007257F	007257F	007257F
10-S	Jacket Upper Front Panel for Touchscreen	016199F	016199F	016200F
11-S	Jacket Lower Front Panel	014672F	014673F	014674F
12-S	Jacket Side/Front Panel	014705F	014706F	014707F
13-S	Jacket Side/Rear Panel	014708F	014709F	014710F
14-S	Jacket Upper Rear Panel	014675F	014676F	014677F
15-S	Access Panel Intake Air	012671F	012671F	012671F
16-S	Jacket Lower Rear Panel	012624F	012625F	012626F
17-S	Access Panel Lower Rear	012672F	012674F	012674F
18-S	Upper Front Panel w/LED Lights	014711F	014711F	014711F
19-S	Base Assembly	012627F	012627F	012627F
20-S	Leg Bracket Primary Heat Exch (4 pcs per boiler)	007306F	007306F	007306F
21-S	Leg Bracket Condensing Heat Exch (2 pcs per boiler)	012628F	012629F	012630F
22-S	Base Reflector Panel	007307F	007307F	007307F
23-S	Control Box Assy	014679F	014679F	014679F
24-S	Control Box Cover Panel for Touchscreen Display	016201F	016201F	016201F
25-S	Control Box Cover Panel with Power Switch	014616F	014616F	014616F
26-S	24V Wiring Panel	014519F	014519F	014519F
27-S	Intake Air Adapter (Plenum to Duct)	N/A	N/A	011881F
28-S	Intake Air Collar	012675F	012676F	012676F
29-S	Access Panel Wiring Box	012651F	012651F	012651F
30-S	Access Panel Condensing Heat Exch	012638F	012638F	012638F
31-S	Plenum Upper Condensing Heat Exch	012639F	012640F	012641F
32-S	Plenum Lower Condensing Heat Exch	012642F	012643F	012644F
33-S	Filter Access Cover	012683F	012683F	012683F
34-S	Condensate Hose Bracket	013422F	013422F	013422F
35-S	Cover Wire Box	016983F	016983F	016983F
V	VENTING			
1-V	Vent Group PVC	016934F	016935F	016935F
2-V	Vent Support	016986F	016987F	016987F
3-V	Vent Termination Cap Vertical/Horizontal	006644	006646	006646
4-V	Intake Air filter Box	012645F	012646F	012647F
5-V	Air Filter Media	012599F	012599F	012599F
6-V	Condensate Drip Pan	012678F	012678F	012678F
7-V	Flue Exhaust Termination Adapter for PVC Venting	013346F	013347F	013347F

* For individual pump parts see separate pump parts IPL 9300.100



www.raypak.com

Raypak, Inc., 2151 Eastman Avenue, Oxnard, CA 93030 (805) 278-5300 FAX (805) 278-5489
Litho In U.S.A.