

# COMMERCIAL COLD WATER START

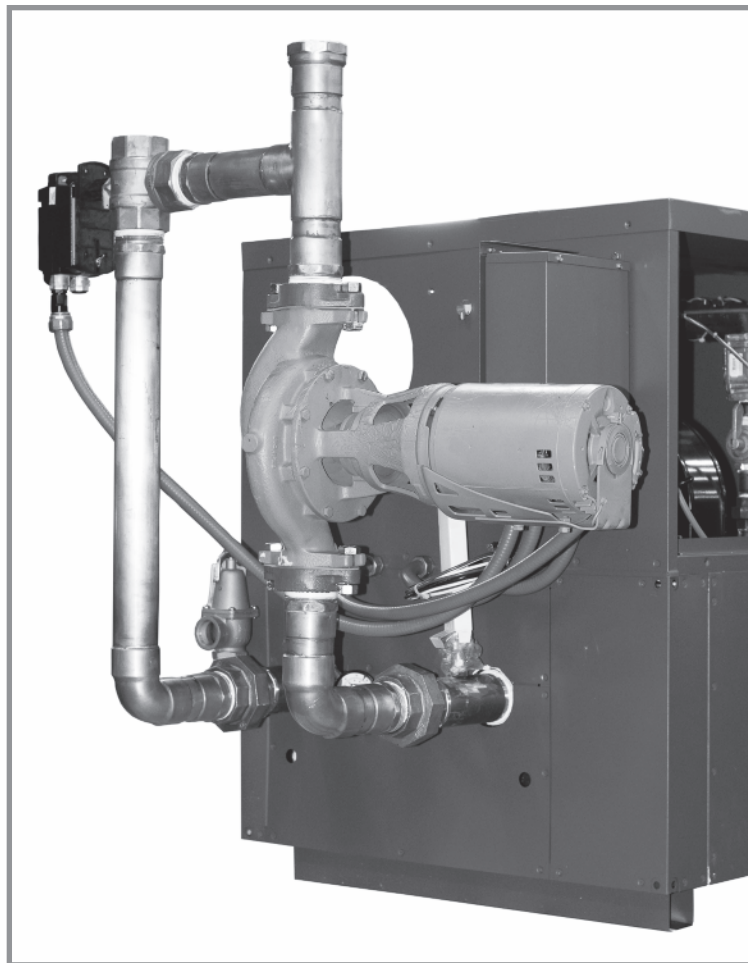
CATALOG NO. 9300.83  
Effective: 08-01-17  
Replaces: 07-30-15

## RAYPAK ILLUSTRATED PARTS LIST

**MODEL SIZE: HI DELTA, MVB & RAYTHERM**  
**MODEL TYPE: H & WH**

DATE OF MANUFACTURE: 2006 THROUGH CURRENT

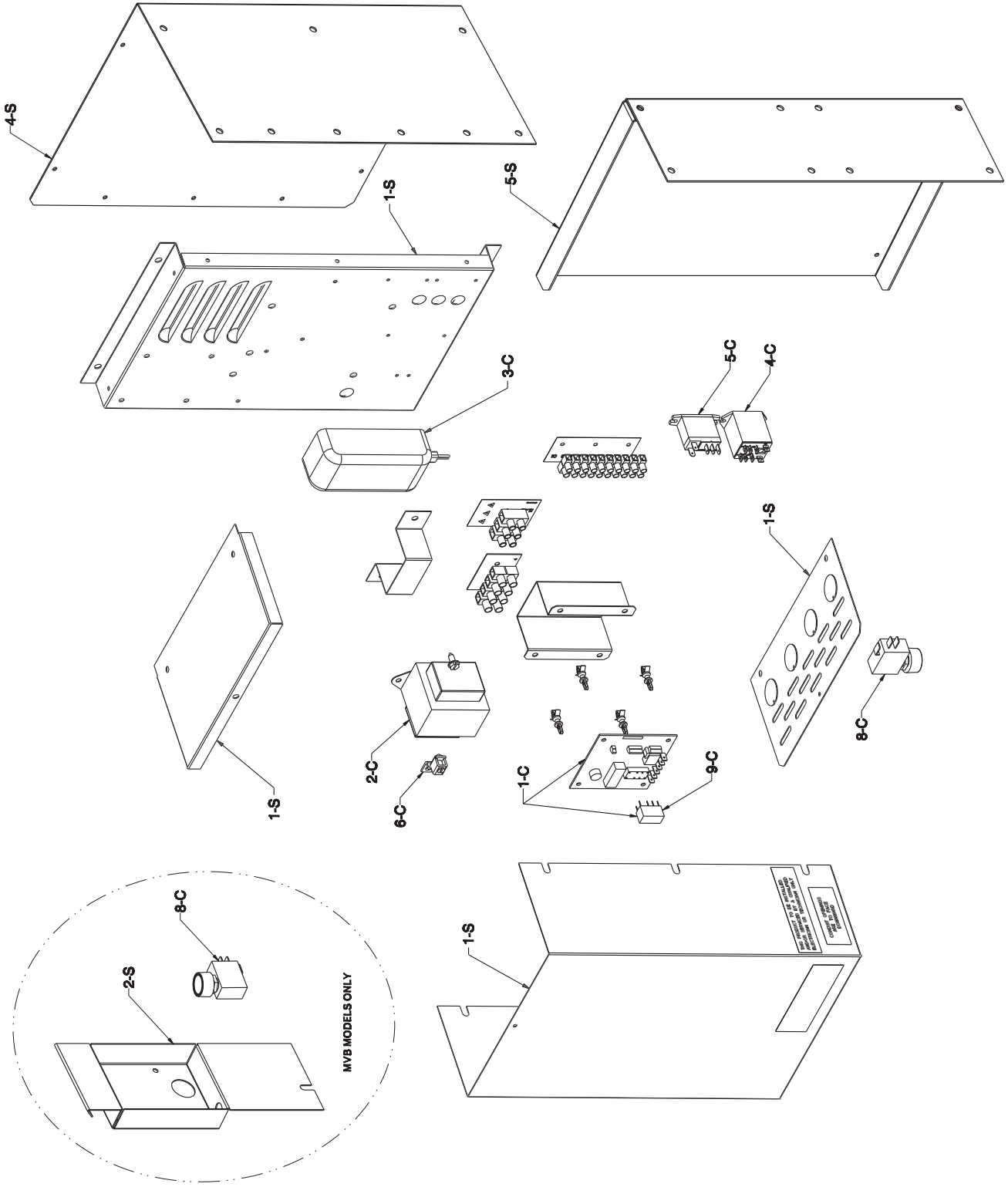
THE PARTS LISTED ARE FOR STANDARD EQUIPMENT FOR THIS MODEL TYPE. RAYPAK RESERVES THE RIGHT TO SUBSTITUTE, DELETE OR CHANGE ANY PART WITHOUT NOTIFICATION. THE ADDITION OF OPTIONS MAY ALSO CHANGE SOME OF THE PARTS. ORDER REPLACEMENT PARTS FROM ACTUAL HEATER COMPONENTS.



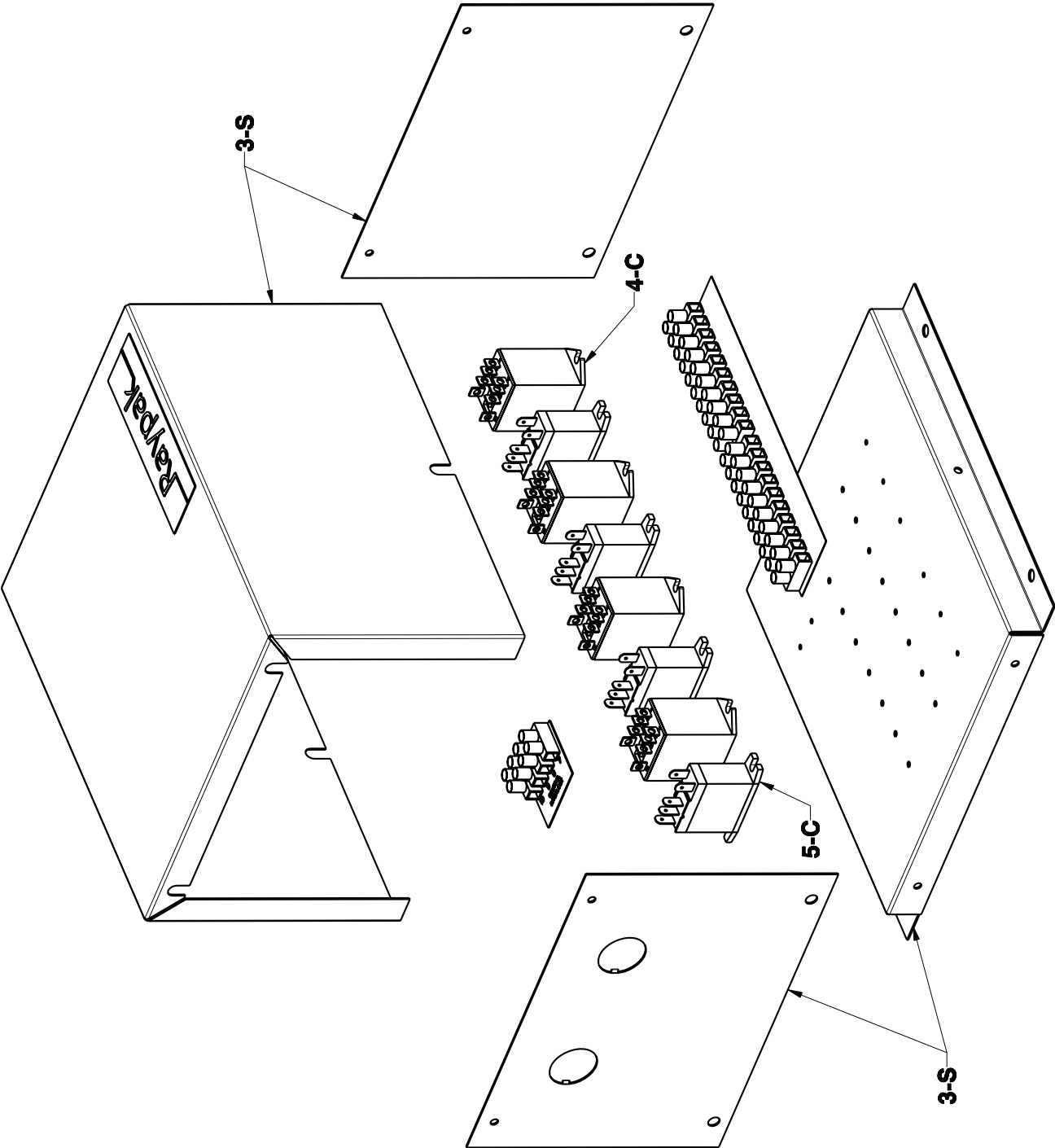
FOR DETAILED INSTRUCTIONS, SEE "HOW TO USE YOUR RAYPAK ILLUSTRATED PARTS LIST",  
CATALOG NO. 9001.10



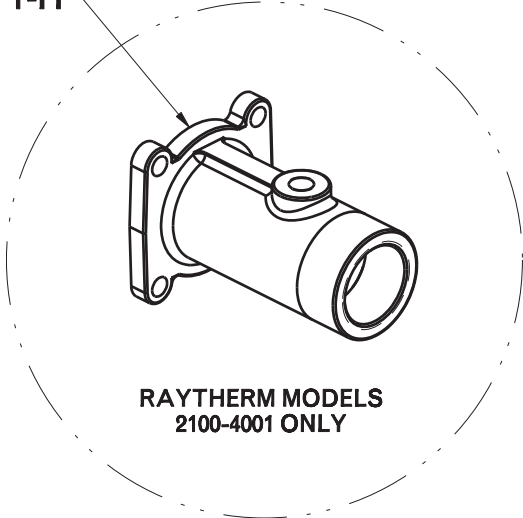
Raypak, Inc., 2151 Eastman Avenue, Oxnard, CA 93030  
(805) 278-5300 Fax (800) 872-9725  
Litho In U.S.A.



# Multiple Boiler Interlock

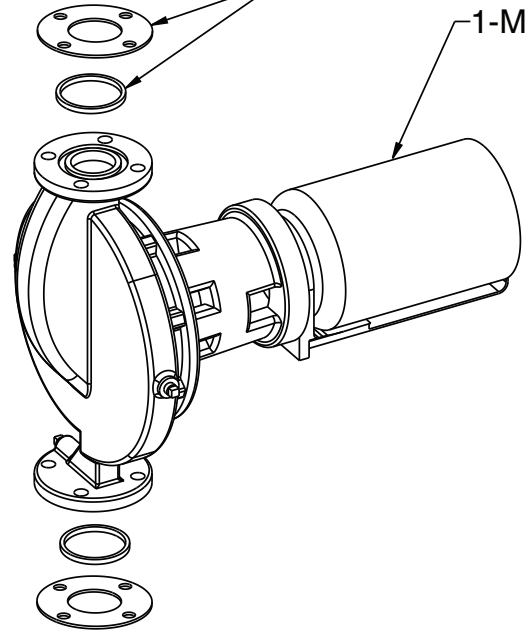


1-H



8-M

1-M



2-M

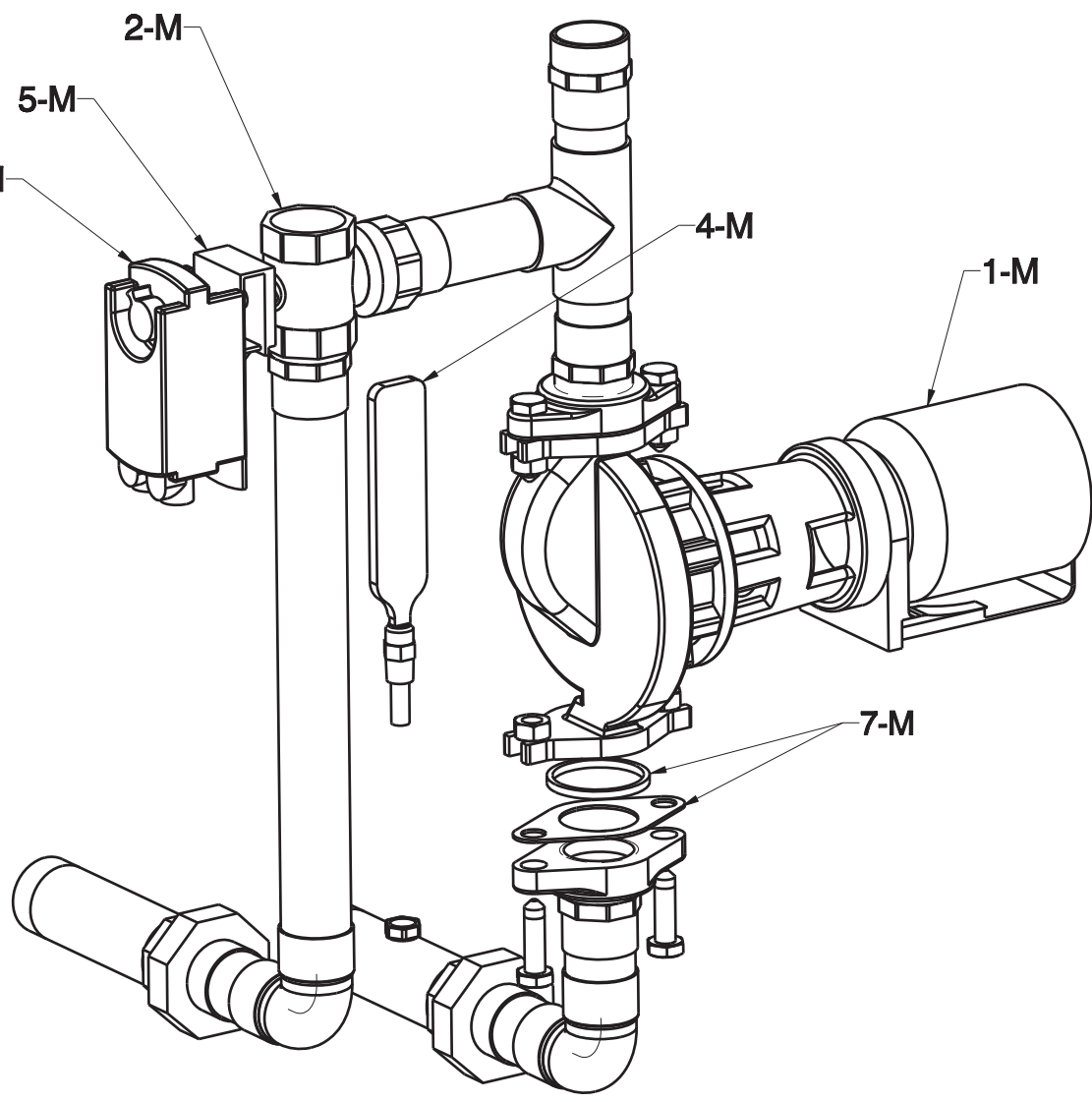
5-M

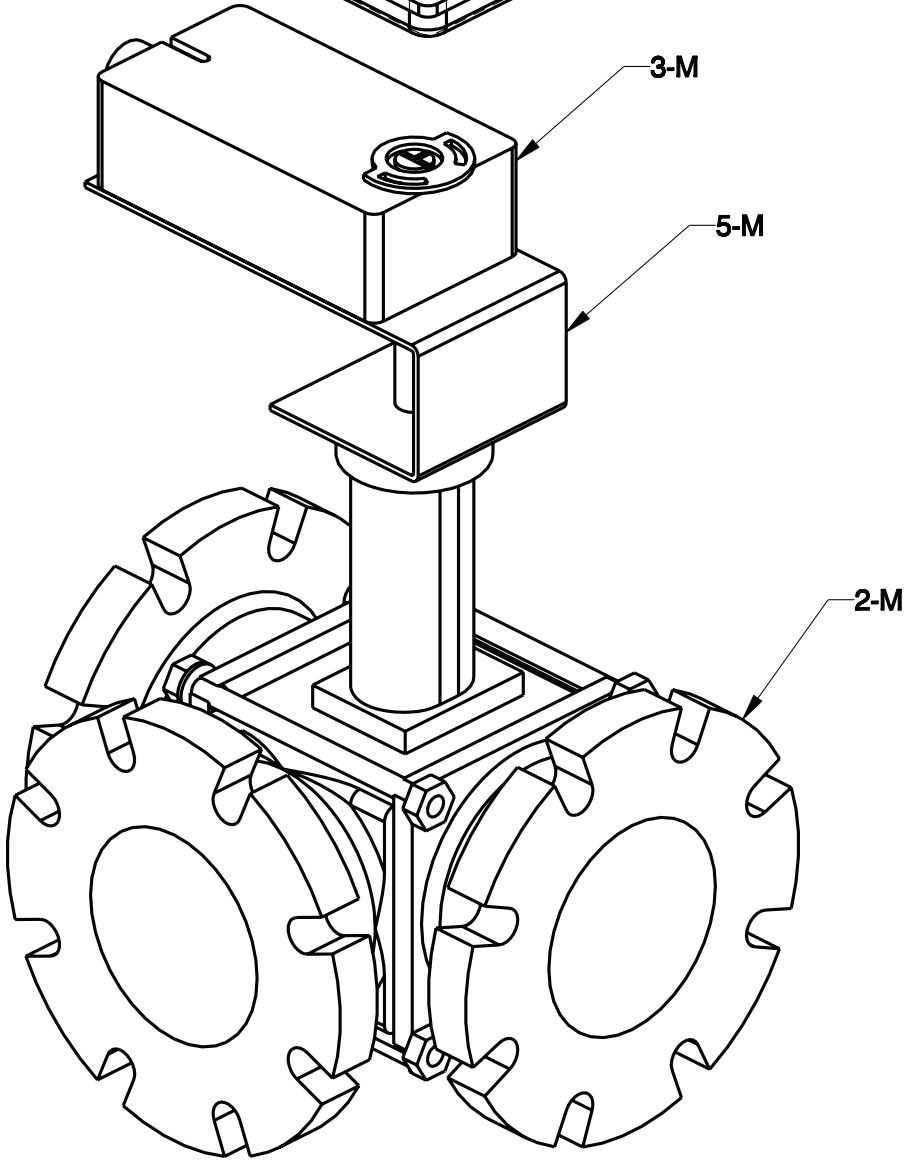
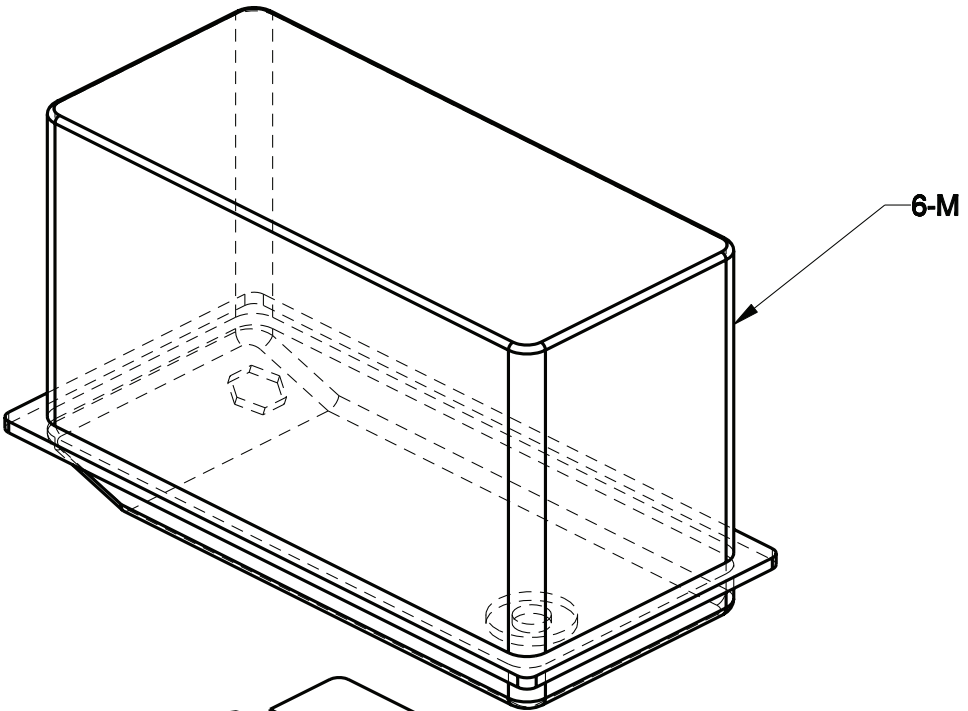
3-M

4-M

1-M

7-M





CALL OUT	DESCRIPTION	HI DELTA		MVB			RAYTHERM
		302B-2342B	302C-2342C	503-2004	503A-2004A	2503-4003	
1-C	PC Board Assy-Control	011717F	N/A	011717F	N/A	N/A	011717F
9-C	Relay - DPDT 24VDC Coil	005962F	N/A	005962F	N/A	N/A	005962F
2-C	Transformer	011718F	N/A	011718F	N/A	N/A	011718F
3-C	Power Supply 120VAC/12VDC	011719F	N/A	011719F	N/A	N/A	011719F
4-C	Relay - DPDT 24V	011720F	N/A	011720F	N/A	N/A	011720F
5-C	Relay - SPDT 24V	009039F	N/A	009039F	N/A	N/A	009039F
6-C	Ground Lug	007155F	N/A	007155F	N/A	N/A	007155F
7-C	Temperature Sensor 10K (Not Shown)	010787F	N/A	010787F	N/A	N/A	010787F
8-C	Alarm Reset Switch	005641F	N/A	005641F	N/A	N/A	005641F
1-H	Inlet Adapter 2-1/2 NPT	N/A	N/A	N/A	N/A	N/A	012315F
1-M	Bypass Pump *						
	BR 1/4 HP 4.5" Impeller	007226F	007226F	007226F	007226F	N/A	007226F
	CI 1/4 HP 4.5" Impeller	007232F	007232F	007232F	007232F	N/A	007232F
	BR 1/2 HP	N/A	N/A	007347F	007347F	N/A	007347F
	CI 1/2 HP	N/A	N/A	007353F	007353F	N/A	007353F
	BR 3/4 HP 5.65" Impeller	007348F	007348F	007348F	007348F	N/A	007348F
	CI 3/4 HP 5.65" Impeller	007354F	007354F	007354F	007354F	N/A	007354F
	BR 1.0 HP 6.15" Impeller	007351F	007351F	007351F	N/A	N/A	007351F
	CI 1.0 HP 6.15" Impeller	007357F	007357F	007357F	N/A	N/A	007357F
	BR 1.5 HP 6.4" Impeller (4 Bolt Flange)	N/A	N/A	007937F	007937F	N/A	007937F
	CI 1.5 HP 6.4" Impeller (4 Bolt Flange)	N/A	N/A	007938F	007938F	N/A	007938F
	BR 2.0 HP 6.9" Impeller (4 Bolt Flange)	N/A	N/A	N/A	N/A	N/A	012317F
	CI 2.0 HP 6.9" Impeller (4 Bolt Flange)	N/A	N/A	N/A	N/A	N/A	012318F
	CI 1.5 HP 6.0" Impeller (4 Bolt Flange)	N/A	N/A	N/A	N/A	015666F	N/A
	CI 1.5 HP 7.0" Impeller (4 Bolt Flange)	N/A	N/A	N/A	N/A	015667F	N/A
	CI 1.5 HP 7.5" Impeller (4 Bolt Flange)	N/A	N/A	N/A	N/A	015668F	N/A
	CI 3.0 HP 6.0" Impeller (4 Bolt Flange)	N/A	N/A	N/A	N/A	015669F	N/A
7-M	Pump Gasket (2 Bolt Flange)	013423F	013423F	013423F	013423F	N/A	013423F
8-M	Pump Gasket (4 Bolt Flange)	N/A	N/A	014000F	014000F	N/A	014000F
	Pump Gasket KV3007 (4 Bolt Flange)	N/A	N/A	N/A	N/A	015544F	N/A
2-M	Three-Way Valve Assy						
	2" NPT 24 Cv	011939F	011939F	N/A	N/A	N/A	011939F
	2" NPT 38 Cv	011721F	011721F	011721F	011721F	N/A	011721F
	2" NPT 57 Cv	011722F	011722F	011722F	011722F	N/A	011722F
	2-1/2" NPT 74 Cv	011723F	011723F	011723F	011723F	N/A	011723F
	2-1/2" NPT 100 Cv	011724F	011724F	011724F	011724F	N/A	011724F
	4" NPT 152 Cv	012231	012231	012231	012231	012231	012231
	4" NPT 254 Cv	012232	012232	012232	012232	012232	012232
	4" NPT 327 Cv	012233	012233	012233	012233	012233	012233
3-M	Actuator						
	35 In Lbs (Elodrive)	014012F	014012F	014012F	N/A	N/A	014012F
	53 In Lbs (Delta/Bray Controls)	013995F	013995F	013995F	013995F	N/A	013995F
	62 In Lbs (Delta/Bray Controls)	013995F	013995F	013995F	013995F	N/A	013995F
	132 In Lbs (Elodrive)	N/A	N/A	N/A	N/A	N/A	N/A
	180 In Lbs (Delta/Bray Controls)	014046F	014046F	014046F	014046F	014046F	014046F
4-M	Thermometer Vertical	000919	000919	N/A	N/A	N/A	000919
5-M	Mounting Kit						
	Elodrive	014012F	014012F	014012F	N/A	N/A	014012F
	Delta/Bray Controls	013979F	013979F	013979F	013979F	N/A	013979F
	4" Valve (Elodrive)	N/A	N/A	N/A	N/A	N/A	N/A
	4" Valve (Delta/Bray Controls)	014016F	014016F	014016F	014016F	014016F	014016F
6-M	Actuator Cover (Delta/Bray Controls Only)	011904F	011904F	011904F	011904F	N/A	011904F
	Actuator Cover 4" (Delta/Bray Controls Only)	012455F	012455F	012455F	012455F	012455F	012455F
1-S	Control Box Sheet Metal	011716F	N/A	011716F	N/A	N/A	011716F
2-S	Control Box Cover	N/A	N/A	011978F	N/A	N/A	N/A
3-S	Interlock Box Sheet Metal	012249F	N/A	012249F	N/A	N/A	012249F
4-S	Control Box Mtg Bracket	N/A	N/A	N/A	N/A	N/A	N/A
5-S	Control Box Mtg Bracket	013637F	N/A	N/A	N/A	N/A	013637F

\* For individual pump parts see separate pump parts IPL 9300.100

**NOTE:** Sizing is specific to the application.





[www.raypak.com](http://www.raypak.com)