

Y-200 Series™

ELECTRONIC BOILER CONTROLS

Electronic Boiler Sequencers and Outdoor Reset Controls

The Y-200 Series digital electronic boiler control is a microprocessor-based boiler management system designed to control either single or multiple boilers or stages. Ideally suited for use in hydronic heating and domestic water supply applications, the Y-200 Series has been engineered with the flexibility and power to satisfy the most demanding control situations. Utilizing a state-of-the-art PID algorithm, the Y-200 Series minimizes operating costs by maximizing system efficiency and performance.

Standard Features

- 4 or 8 stages per control
- Scalable to 40 zones
- LCD digital display with viewing window
- 365-day time clock
- Water sensor
- Air sensor
- UL and cUL listed
- Manual override
- Password protection
- LonWorks® ready
- RS 485 port
- Outdoor installation
- Audible local alarm - 89 dB

Programmable Features

- Outdoor reset ratio
- Outdoor reset disable
- Outdoor cut-off
- Alternate setpoint
- Minimum water temperature
- Maximum water temperature
- Night setback
- Morning boost
- Automatic / Manual lead-lag
- Boiler / stage delays
- System pump control
- Boiler pump control (standard on all Raypak boilers)
- Low-temperature selection - heat pump

Options

- LonWorks module (plug-in)
- 4-20 mA / 2-10 VDC remote setpoint module (plug-in)
- Modem module (plug-in)
- Remote alarm bell – 3" or 4"
- Direct programming CD for flash memory update
- Up to 3 auxiliary relay boards (plug-in), e.g.:
 - Motorized louver
 - Combustion air blower
 - Draft inducer

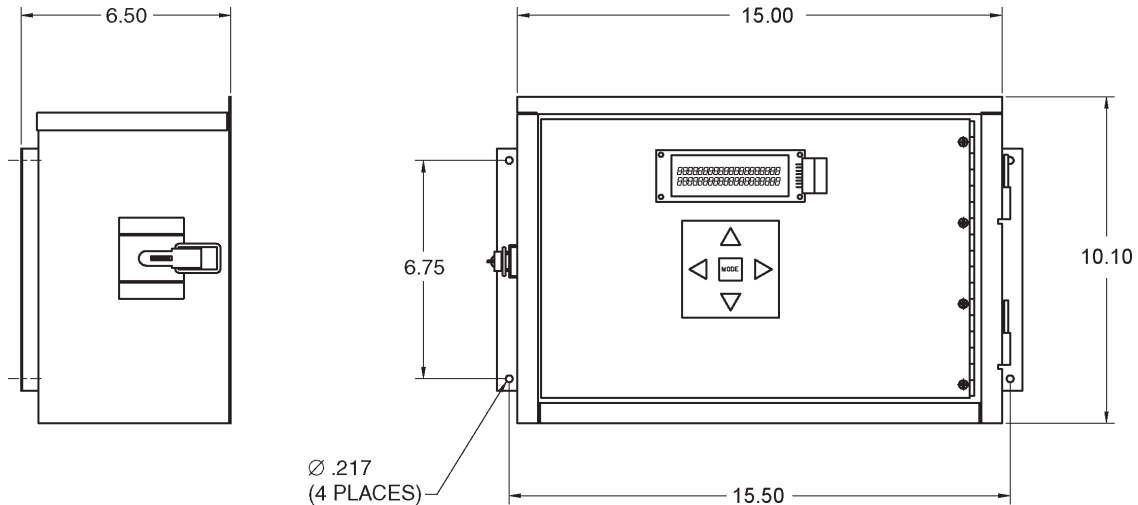


Specifically designed to operate with Raypak Raytherm®, Hi Delta® water heaters and boilers, only Raypak and its representatives can provide the security of SINGLE-SOURCE ACCOUNTABILITY. Designed and manufactured by Raypak, the Y-200 Series is backed by over 50 years of technical innovation and proven quality.

Raypak, Inc. reserves the right to make product changes or improvements at any time without notification.

Raypak®
A Rheem® Company

Y-200 Series Electronic Boiler Control



Dimensions are in inches.

Standard Components

Master control board
Indoor/Outdoor housing
Control stages

- 4 – Model Y-241
- 8 – Model Y-281

Pump relay
Program / Display pad
Outdoor ambient temperature sensor
Water temperature sensor

Ambient Conditions

Control: -40 to 175 °F (-40 to 79 °C)
Sensor: -65 to 300 °F (-54 to 149 °C)
Humidity: 90% non-condensing

Enclosure

Outdoor NEMA 3R rated (rainproof)

Programmable Control Parameters

Control range: 40 to 235 °F (Accuracy +/- 1°)
Control band: 0.5 to 10 °F
Pump off delay: 0 to 10 min.
Boiler on delay: 0 to 10 min.
Stage on delay: 0 to 10 min.
Outdoor cut-off: 32 to 200 °F
Outdoor cut-off deadband: -1 to -10 °F
Lead-lag: 001 to 100 hours
Reset ratio: 0.01:1 to 8.00:1

Electrical Characteristics

120 VAC, 0.5 Amps, 60 Hz

Limited One-Year Warranty



©RAYPAK, INC., 2151 Eastman Avenue, Oxnard, CA 93030 (805) 278-5300 Fax (800) 872-9725

www.raypak.com
Litho in U.S.A.