

RAYPAK ILLUSTRATED PARTS LIST

The parts listed include all potential component options for this product line. Raypak reserves the right to substitute, delete or change any part without notification. Replacement parts must be factory authorized.

XFIIRE HEATER TYPE H AND WH

MODELS 300B - 1000B

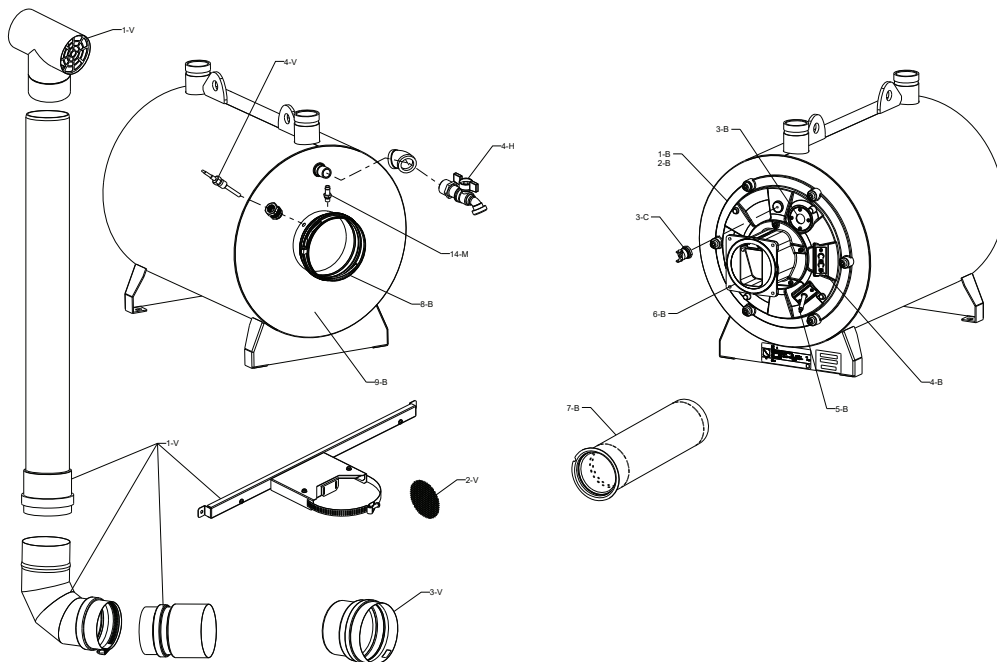
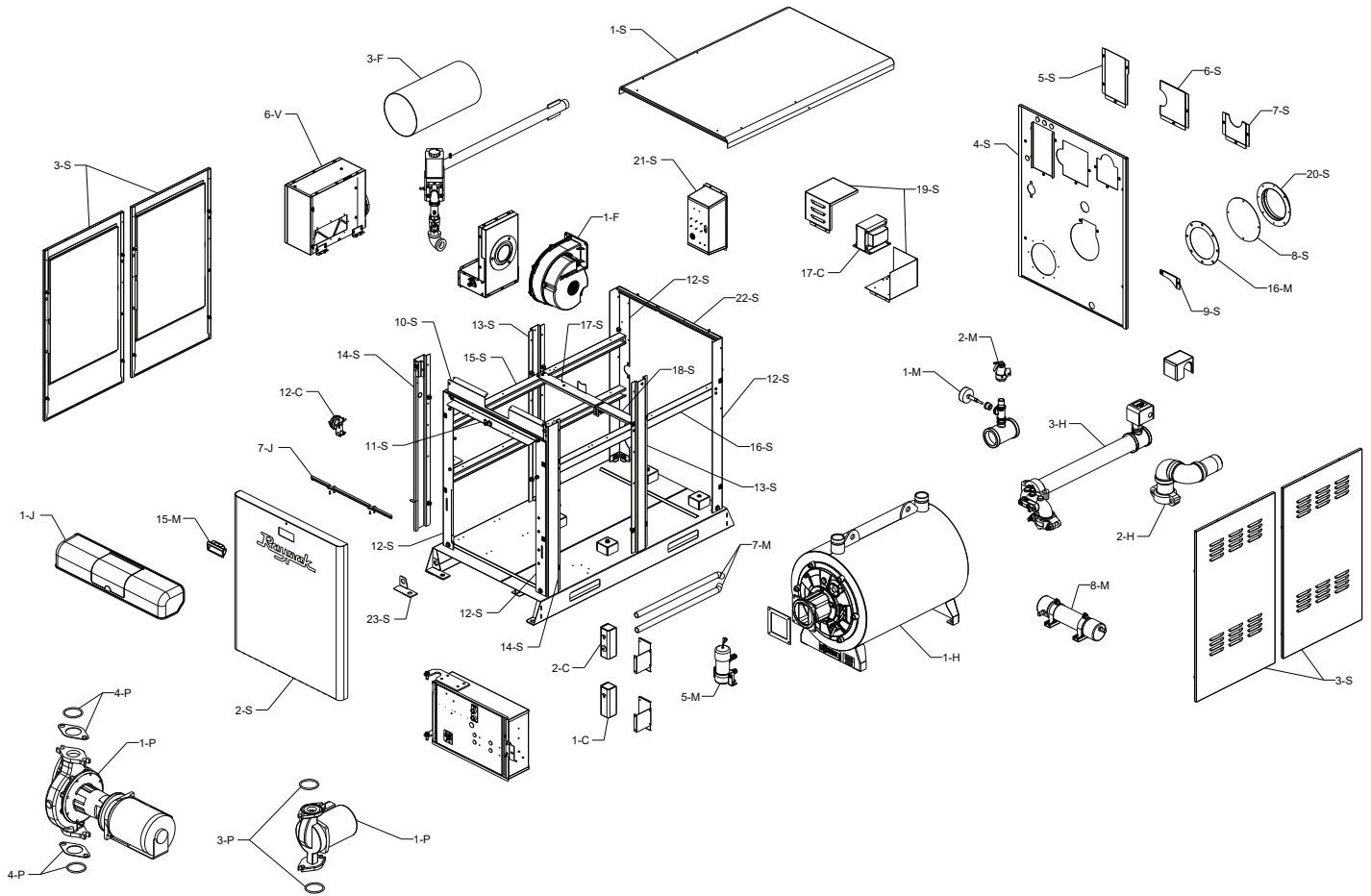
DATES OF MANUFACTURE: 09-01-19 THROUGH CURRENT

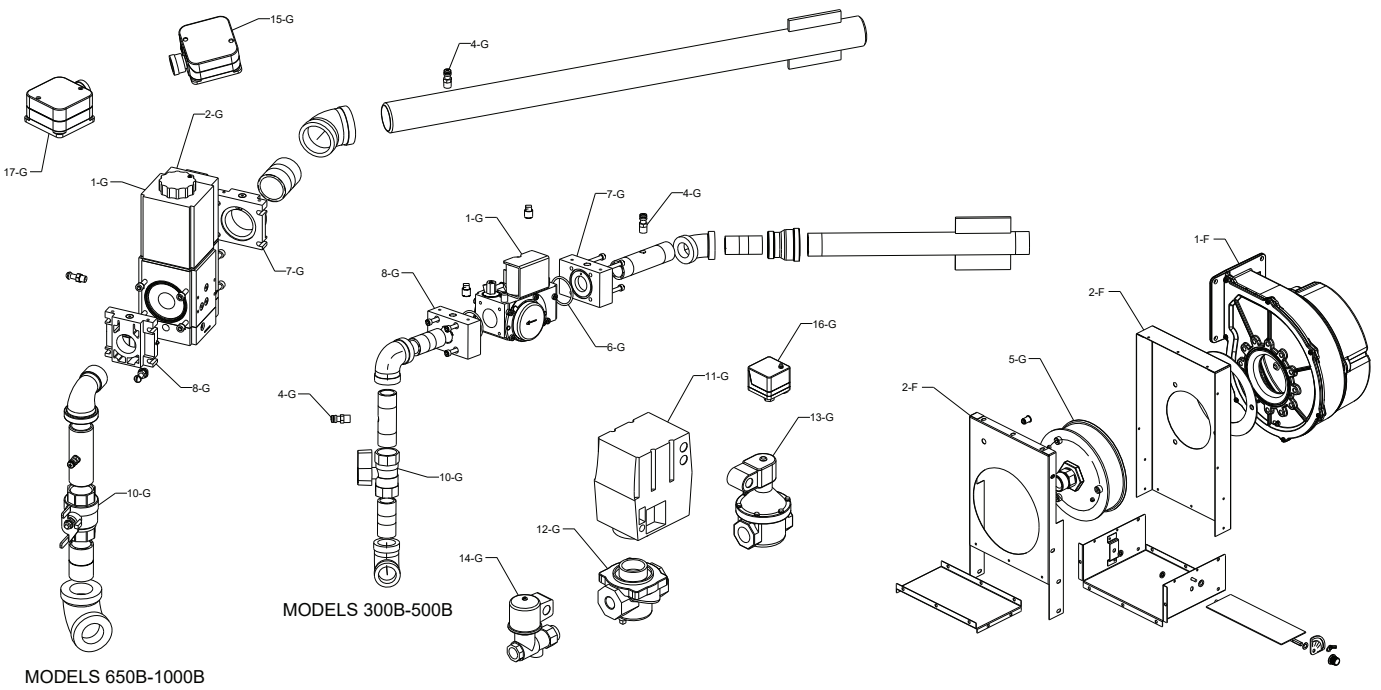
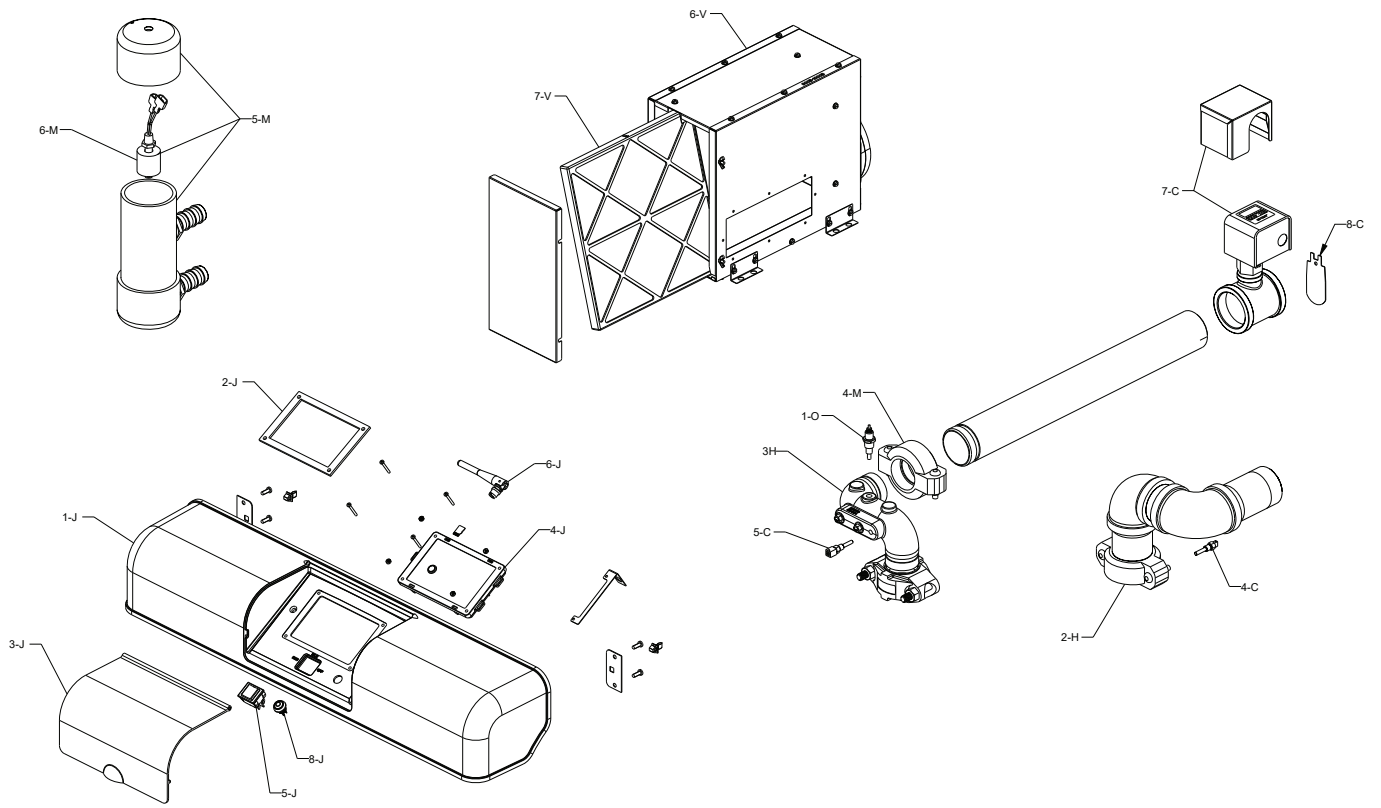


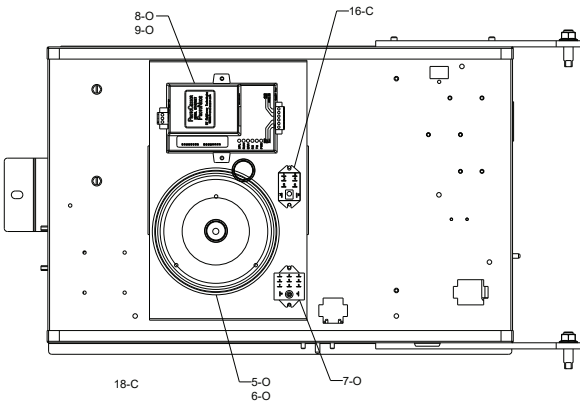
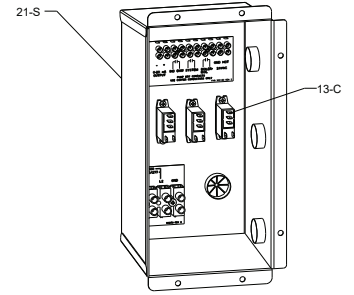
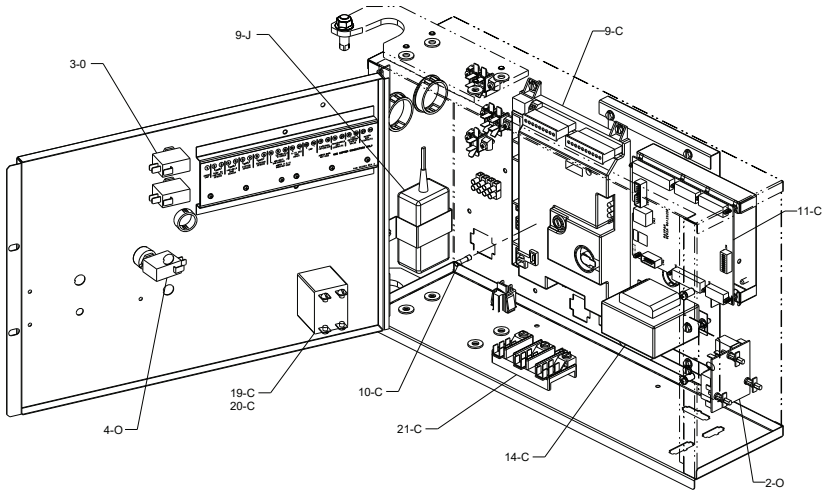
For detailed instructions, see "How to Use your Raypak Illustrated Parts List", Catalog No. 9001.10

Raypak[®]
A Rheem[®] Company

CATALOG NO. 9300.97 Rev 4
Effective: 12-13-19
Replaces: 11-12-19







REAR VIEW OF JUNCTION BOX



ISO 9001

REGISTERED QUALITY MANAGEMENT SYSTEM

www.raypak.com

Raypak, Inc., 2151 Eastman Avenue, Oxnard, CA 93030 (805) 278-5300 FAX (805) 278-5489
Litho In U.S.A.