

**COMMERCIAL**  
**Y-200 ELECTRONIC BOILER SEQUENCER**

CATALOG NO. 9300.88  
Effective: 12-29-11  
Replaces: NEW

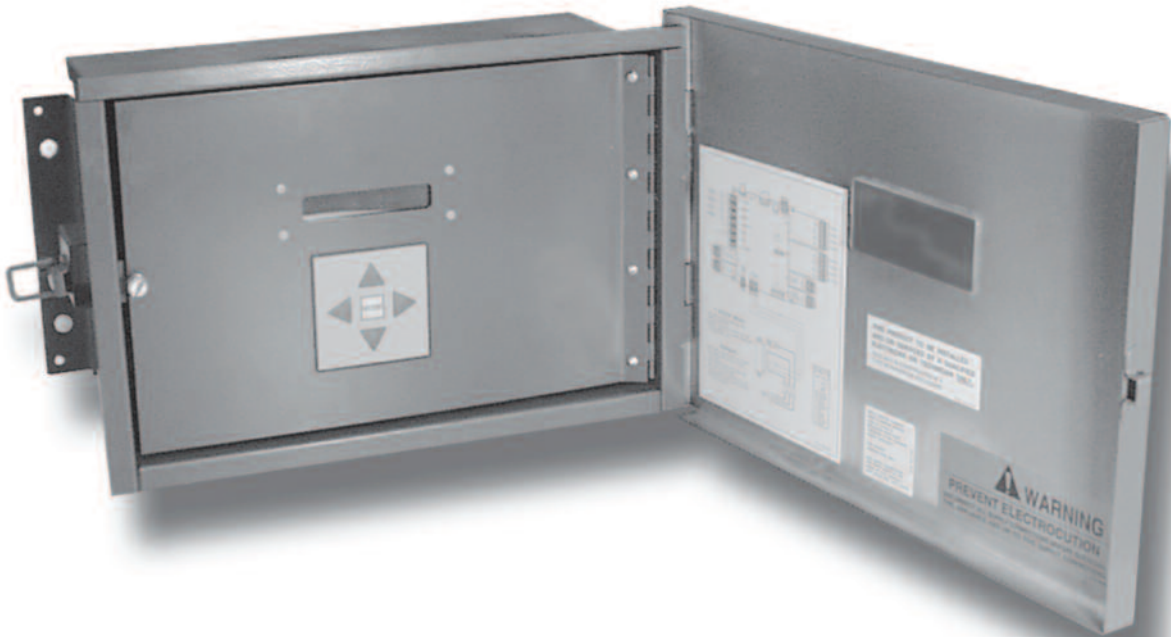
## RAYPAK ILLUSTRATED PARTS LIST

**MODEL SIZE: Y-200**

**MODEL TYPE: RAYTHERM, HI DELTA & MVB**

DATE OF MANUFACTURE: 09-01-03 THROUGH 12-31-11

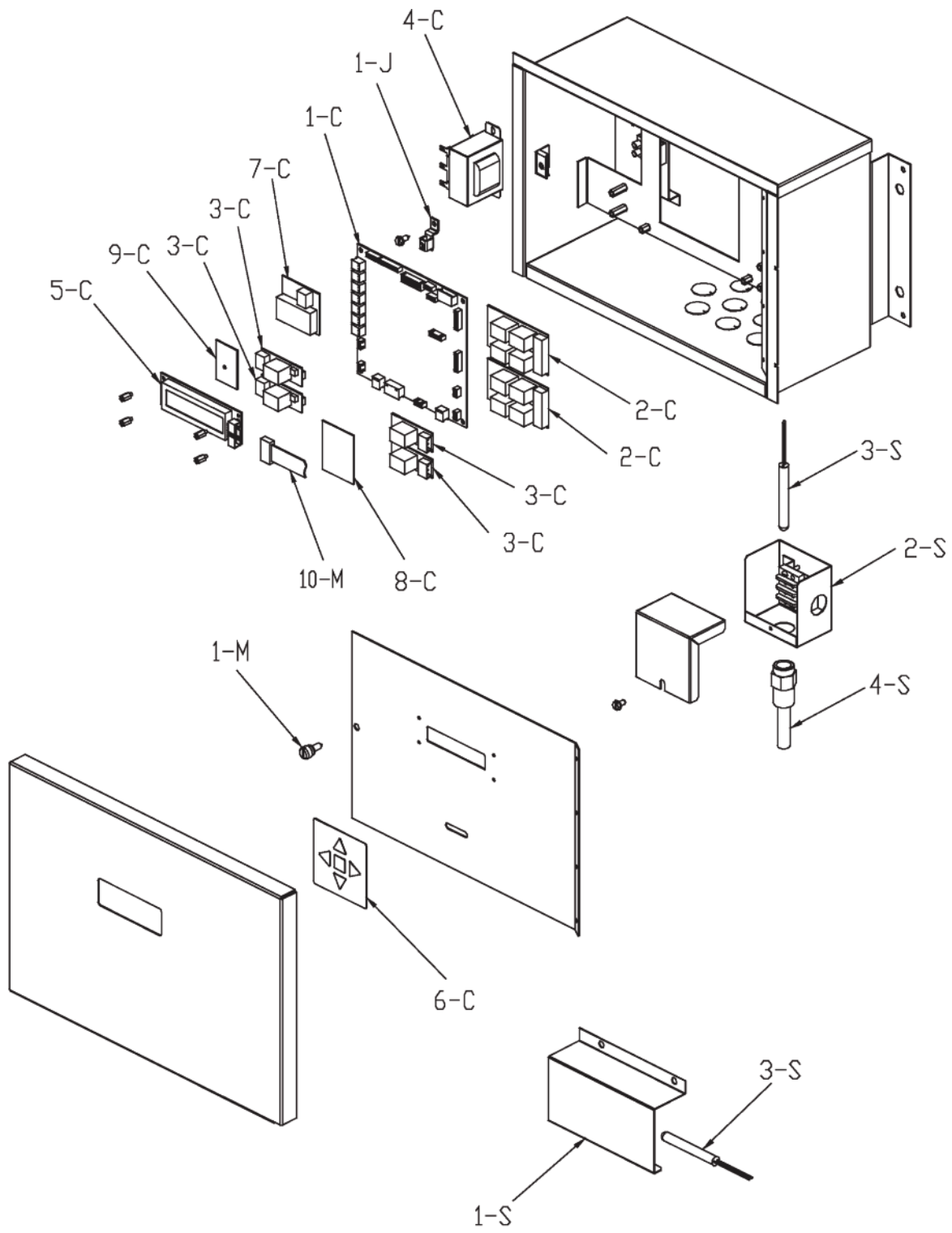
THE PARTS LISTED ARE FOR STANDARD EQUIPMENT FOR THIS MODEL TYPE. RAYPAK RESERVES THE RIGHT TO SUBSTITUTE, DELETE OR CHANGE ANY PART WITHOUT NOTIFICATION. THE ADDITION OF OPTIONS MAY ALSO CHANGE SOME OF THE PARTS. ORDER REPLACEMENT PARTS FROM ACTUAL HEATER COMPONENTS.



FOR DETAILED INSTRUCTIONS, SEE "HOW TO USE YOUR RAYPAK ILLUSTRATED PARTS LIST",  
CATALOG NO. 9001.10



Raypak, Inc., 2151 Eastman Avenue, Oxnard, CA 93030  
(805) 278-5300 Fax (800) 872-9725  
Litho In U.S.A.



Item No.	Description	Part No.
1-C	PC Board Assy, Y-200	008846F
2-C	Expansion Board Assy, 4-Stage	008847F
3-C	Auxiliary Board Assy	008848F
4-C	Transformer Assy	008705F
5-C	LCD Display Assy	012662F
6-C	Control Keypad	008850F
7-C	Modem Module	010792
8-C	Lon Works Module	010791
9-C	4-20 MA/2-10 VDC Module	009823
1-J	Wire Bonding Connector	007155F
1-S	Air Temp Sensor Assy	008828F
2-S	Water Temp Sensor Assy	008829F
3-S	Air/Water Temp Sensor	008845F
4-S	Well Assy	004821F
1-M	Retainer and Screw	006744F
2-M	Control Mtg	013435F
10-M	Ribbon Cable Display	011715F



[www.raypak.com](http://www.raypak.com)