

COMMERCIAL
MODELS: 989 THROUGH 2339

CATALOG NO. 9300.81
Effective: 05-06-08
Replaces: 07-19-07

RAYPAK ILLUSTRATED PARTS LIST

MODEL SIZES: 989 THROUGH 2339

MODEL TYPE: H, W, WH, & P

DATES OF MANUFACTURE: 07-01-02 THROUGH 09-30-07

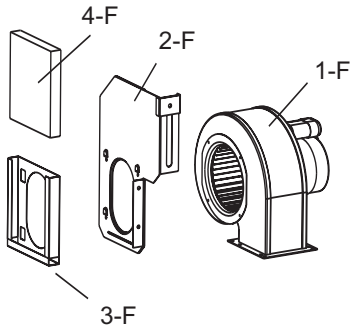
THE PARTS LISTED ARE FOR STANDARD EQUIPMENT FOR THIS MODEL TYPE. RAYPAK RESERVES THE RIGHT TO SUBSTITUTE, DELETE OR CHANGE ANY PART WITHOUT NOTIFICATION. THE ADDITION OF OPTIONS MAY ALSO CHANGE SOME OF THE PARTS. ORDER REPLACEMENT PARTS FROM ACTUAL HEATER COMPONENTS.



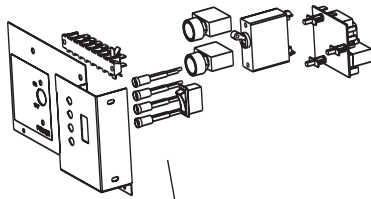
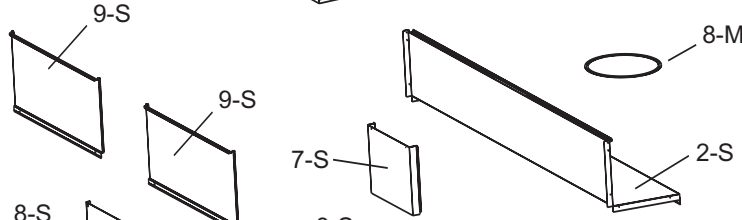
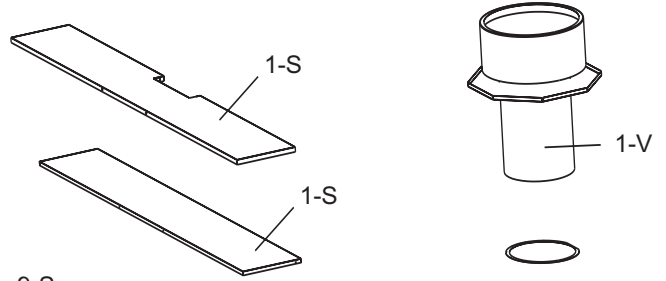
FOR DETAILED INSTRUCTIONS, SEE "HOW TO USE YOUR RAYPAK ILLUSTRATED PARTS LIST",
CATALOG NO. 9001.10



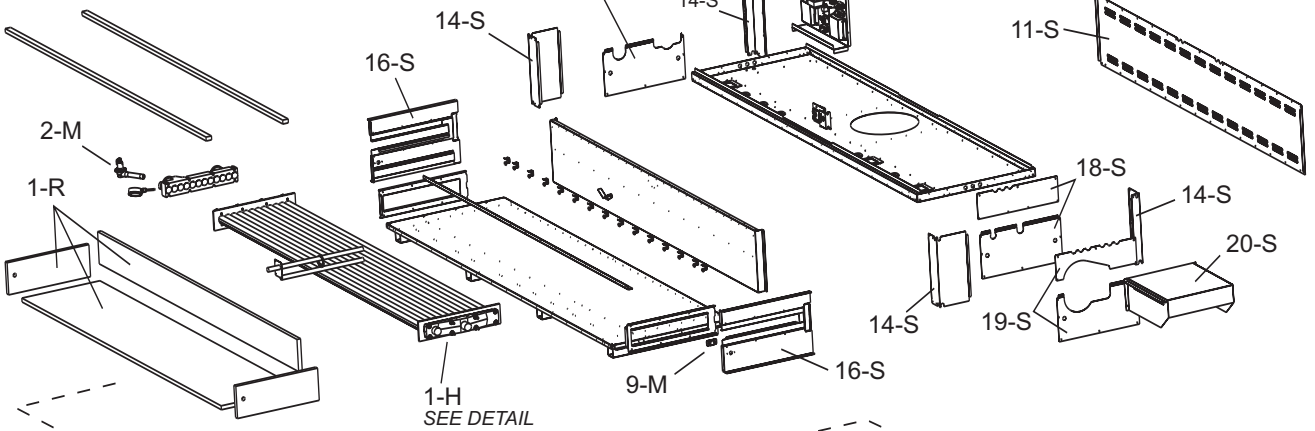
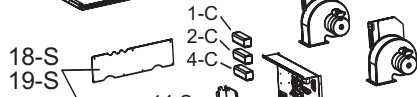
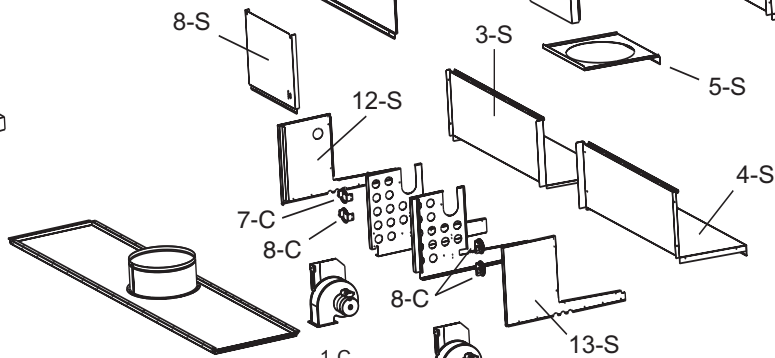
Raypak, Inc., 2151 Eastman Avenue, Oxnard, CA 93030
(805) 278-5300 Fax (800) 872-9725
Litho In U.S.A.



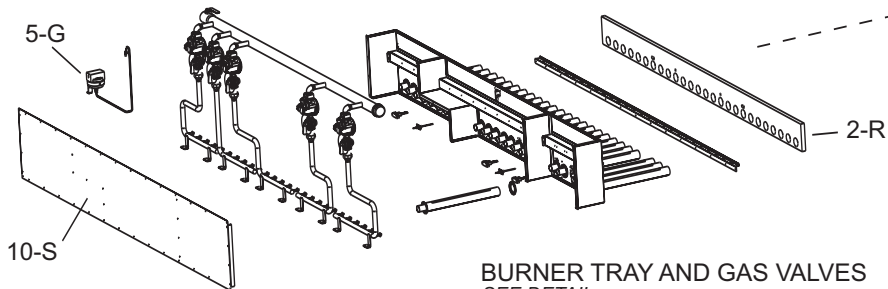
BLOWER DETAIL



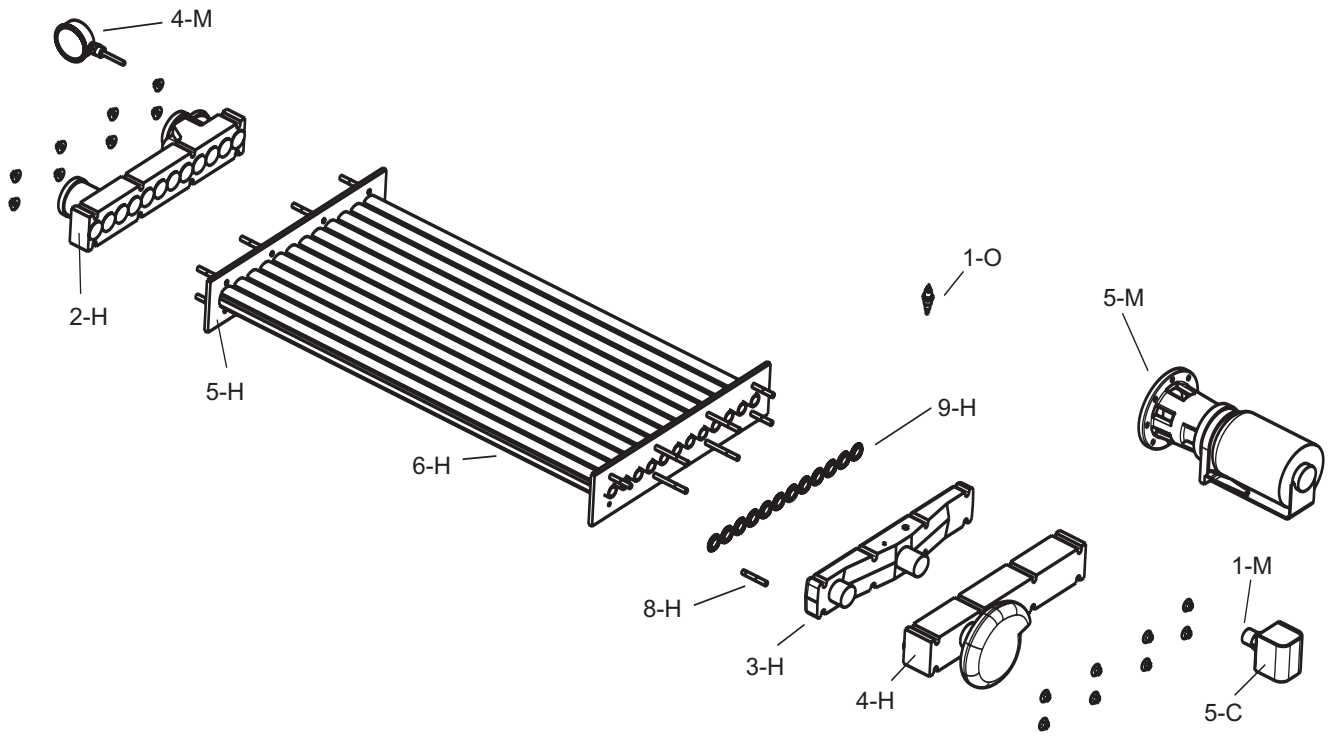
CONTROL PANEL
SEE DETAIL



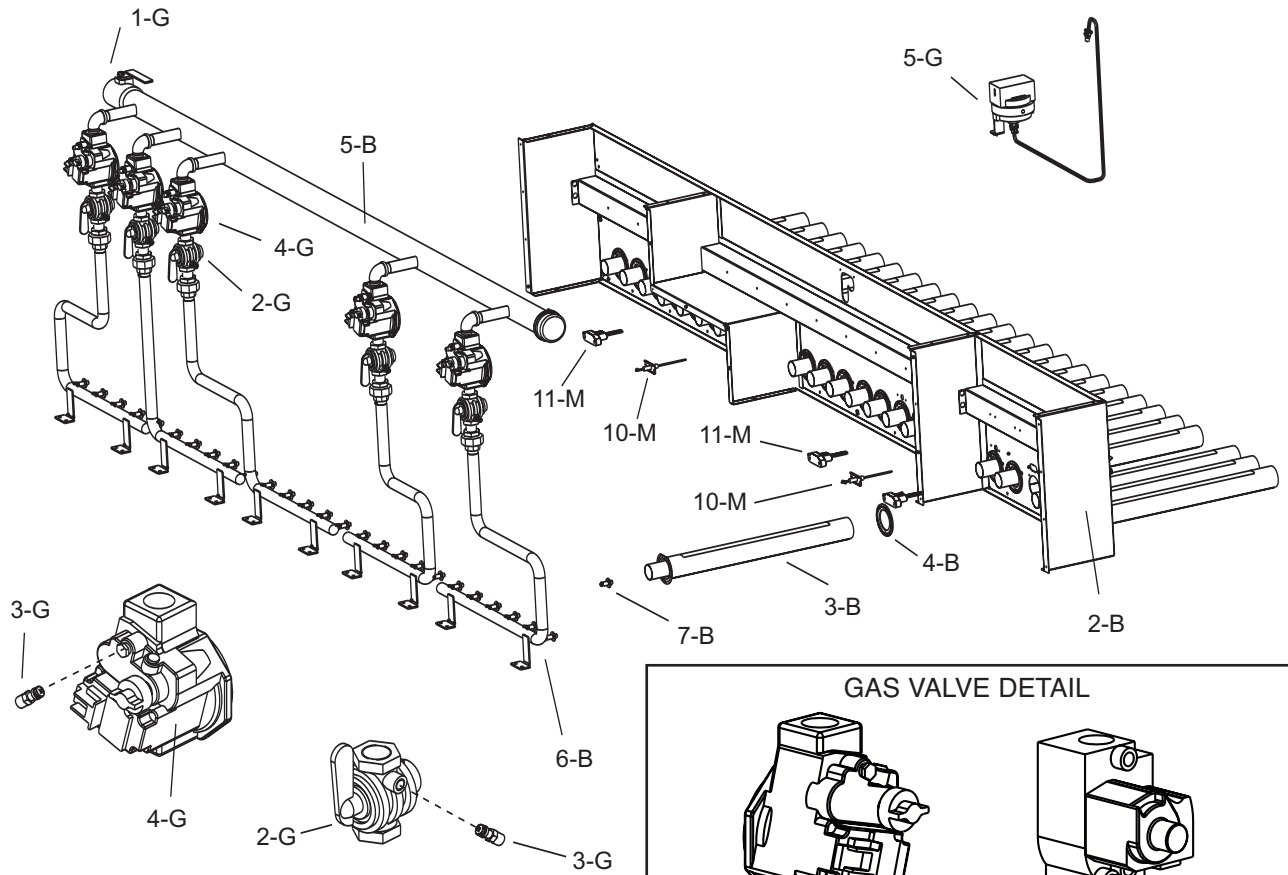
1-H
SEE DETAIL



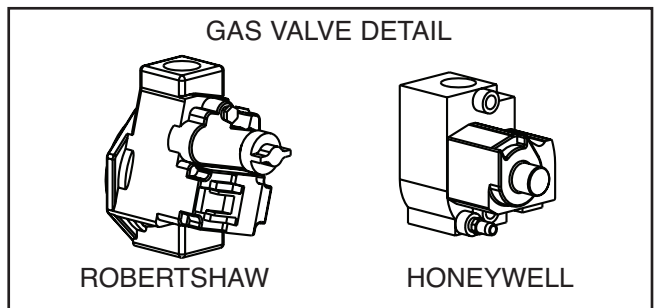
BURNER TRAY AND GAS VALVES
SEE DETAIL

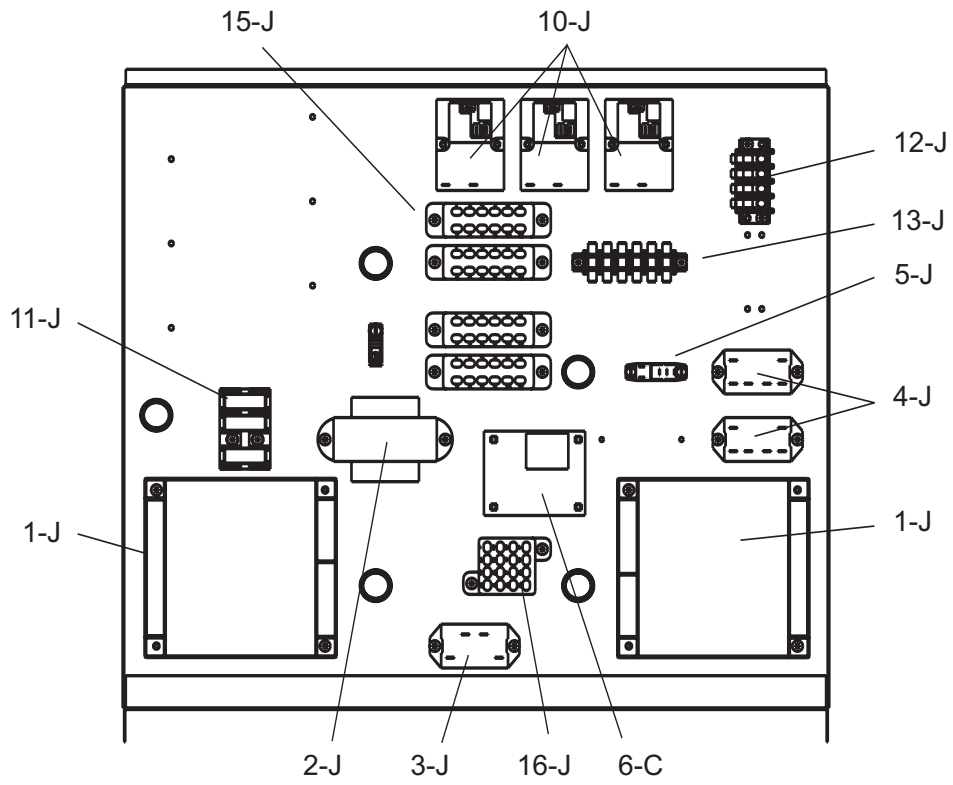


HEAT EXCHANGE DETAIL

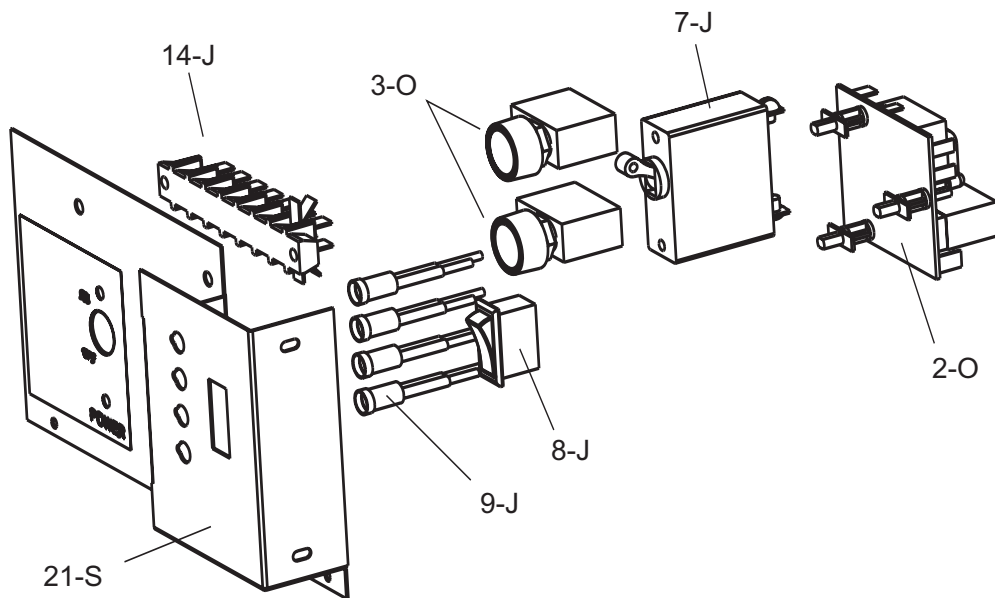


BURNER TRAY AND GAS VALVE DETAIL





J-BOX DETAIL



CONTROL PANEL DETAIL

CALL OUT	DESCRIPTION	989	1259	1529	1799	1999	2069	2339
M	MISCELLANEOUS							
1-M	Flow Switch Paddle	004079F	004079F	004079F	004079F	004079F	004079F	004079F
2-M	PRV 30 PSI	007748F	007748F	007748F	007748F	008088F	008088F	008088F
	PRV 45 PSI	007221F	007751F	007751F	007752F	007752F	007752F	007752F
	PRV 60 PSI	007222F	007753F	007754F	007754F	007754F	007754F	008288F
	PRV 75 PSI	007223F	007756F	007756F	007756F	007757F	007757F	007757F
	PRV 125 PSI	007224F	007224F	007224F	007758F	007759F	007759F	007759F
	PRV 150 PSI	007225F	007225F	007225F	007225F	007225F	007225F	007225F
3-M	Deliming Kit	052870F	052870F	052870F	052870F	052870F	052870F	052870F
4-M	T & P Gauge (H)	007205F	007205F	007205F	007205F	007205F	007205F	007205F
	T & P Gauge (WH)	007399F	007399F	007399F	007399F	007399F	007399F	007399F
5-M	Integral Pump 4.0 Impeller	009296	009296	N/A	N/A	N/A	N/A	N/A
	Integral Pump 4.7 Impeller	004845F	004845F	004845F	004845F	N/A	N/A	N/A
6-M	RTV Sealant 2.8 oz	008924F	008924F	008924F	008924F	008924F	008924F	008924F
	RTV Sealant 10 oz	005755F	005755F	005755F	005755F	005755F	005755F	005755F
7-M	Sealant Tape (Gray) Specify Length	800351	800351	800351	800351	800351	800351	800351
8-M	Flue Exhaust Seal Gasket	008978F	008979F	008979F	008980F	008980F	008980F	008981F
9-M	Window Combustion Chamber	006947F	006947F	006947F	006947F	006947F	006947F	006947F
10-M	Flame Sensor	006535F	006535F	006535F	006535F	006535F	006535F	006535F
11-M	Ignitor	007400F	007400F	007400F	007400F	007400F	007400F	007400F
12-M	Fiberfrax Insulation 1" Wide	008406F	008406F	008406F	008405F	008405F	008405F	008405F
13-M	Touch-up Paint (Green)	750125	750125	750125	750125	750125	750125	750125
	Touch-up Paint (Dark Gray)	750126	750126	750126	750126	750126	750126	750126
O	OPTIONS							
1-O	Remote Sensor for Low Water Cut-Off	007228F	007228F	007228F	007228F	007228F	007228F	007228F
2-O	Low Water Cut Off PC Board	007157F	007157F	007157F	007157F	007157F	007157F	007157F
3-O	Momentary Switch	005641F	005641F	005641F	005641F	005641F	005641F	005641F
R	REFRACTORY							
1-R	Refractory Kit (All Panels)	007760F	007761F	007762F	007763F	007764F	007764F	007765F
2-R	Refractory Front Panel (2 Panels)	007766F	007767F	007768F	007769F	007770F	007770F	007771F
S	SHEETMETAL							
1-S	Jacket Top Upper	008982F	008983F	008984F	008985F	008986F	008986F	008987F
2-S	Jacket Top Lower/Upper Rear	008988F	008989F	008990F	008991F	008992F	008992F	N/A
3-S	Jacket Top Lower / Rear Upper Left	N/A	N/A	N/A	N/A	N/A	N/A	008993F
4-S	Jacket Top Lower / Rear Upper Right	N/A	N/A	N/A	N/A	N/A	N/A	008994F
5-S	Jacket Top Lower Center	N/A	N/A	N/A	N/A	N/A	N/A	008995F
7-S	Jacket Upper Rear Center	N/A	N/A	N/A	N/A	N/A	N/A	008996F
8-S	Upfront Control Panel (4 Indicator Lights)	008997F	008997F	008997F	008997F	008997F	008997F	008997F
9-S	Upper Control Access Jacket Panel	008998F	008999F	009000F	009001F	009002F	009002F	009003F
10-S	Lower Front Jacket Panel	007812F	007813F	007814F	007815F	007816F	007816F	007817F
11-S	Lower Rear Jacket Panel	007818F	007819F	007820F	007821F	007822F	007822F	007823F
12-S	Upper Left Side Jacket Panel	009004F	009004F	009004F	009004F	009004F	009004F	009004F
13-S	Upper Right Side Jacket Panel	009005F	009005F	009005F	009005F	009005F	009005F	009005F
14-S	Lower Corner Supports	009006F	009006F	009006F	009006F	009006F	009006F	009006F
15-S	Center Support Panel (Consult Factory)	N/A	N/A	N/A	N/A	N/A	N/A	N/A
16-S	Heat Exchanger Support Right & Left	009007F	009007F	009007F	009007F	009007F	009007F	009007F
17-S	Flue Collector Top	009008F	009009F	009010F	009011F	009012F	009012F	009013F
18-S	Access Panel H	007826F	007826F	007826F	007826F	007826F	007826F	007826F
	Access Panel WH	008903F	008903F	008903F	008903F	008903F	008903F	008903F
19-S	Access Panel w/Pump H	007827F	007827F	007827F	007827F	007827F	007827F	007827F
	Access Panel w/Pump WH	008904F	008904F	008904F	008904F	008904F	008904F	008904F
20-S	Pump Cover	002671F	002671F	002671F	002671F	002671F	002671F	002671F
21-S	Lamp / Switch Mtg Bracket	008950F	008950F	008950F	008950F	008950F	008950F	008950F
V	VENTING							
1-V	Outdoor Stack Top Kit	008907	008908	008908	008909	008909	008909	008910



Registered Quality Management System

www.raypak.com