

COMMERCIAL
MODELS: 202,266,332,402,516 & 602

CATALOG NO. 9300.30
Effective: 08-15-17
Replaces: 01-01-15

RAYPAK ILLUSTRATED PARTS LIST

MODEL SIZES: 202, 266, 332, 402, 516 & 602

MODEL TYPES: T,Tb, Tc, Td, WT, THWS, TIP & TIPR

DATES OF MANUFACTURE: 1975 THRU 11-30-81

MODEL TYPES: TIP & TIPR BUILT FOR 332 THRU 602 MODELS ONLY

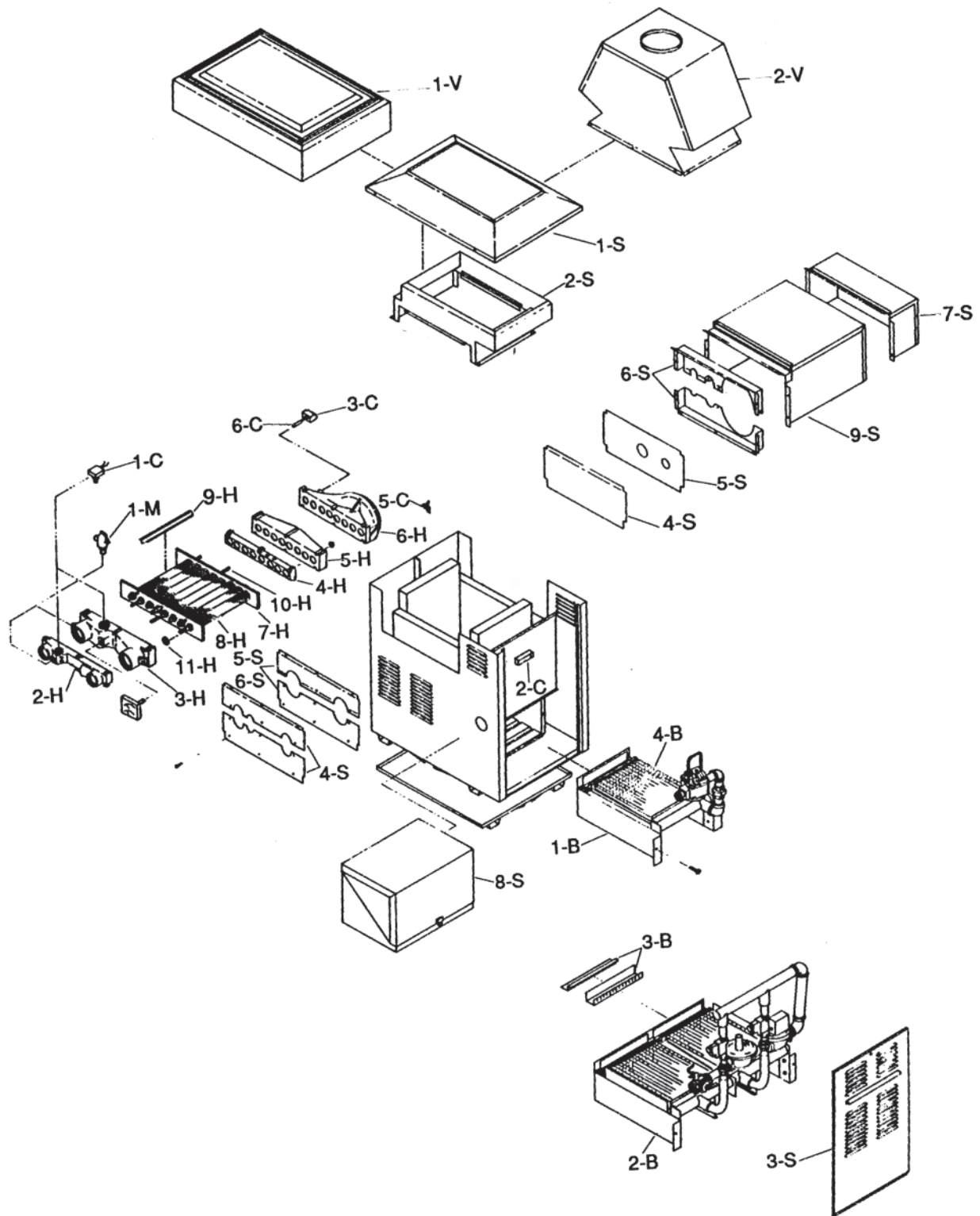
THE PARTS LISTED ARE FOR STANDARD EQUIPMENT FOR THIS MODEL TYPE. RAYPAK RESERVES THE RIGHT TO SUBSTITUTE, DELETE OR CHANGE ANY PART WITHOUT NOTIFICATION. THE ADDITION OF OPTIONS MAY ALSO CHANGE SOME OF THE PARTS. ORDER REPLACEMENT PARTS FROM ACTUAL HEATER COMPONENTS.



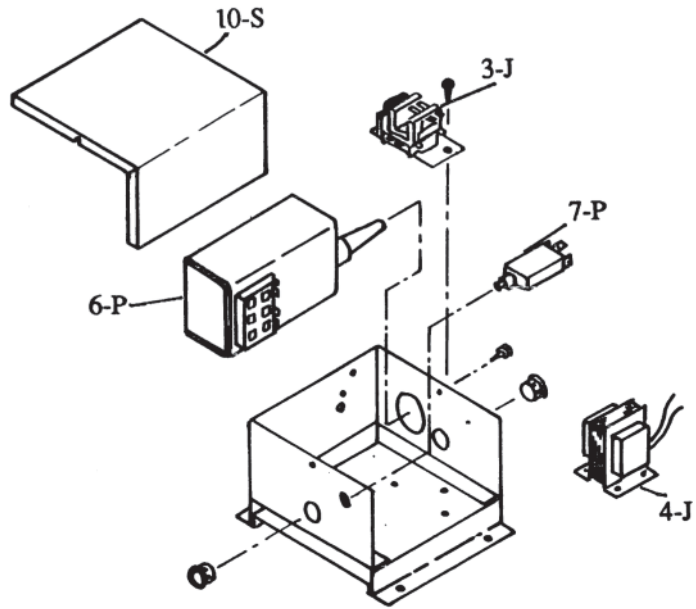
FOR DETAILED INSTRUCTIONS, SEE "HOW TO USE YOUR RAYPAK ILLUSTRATED PARTS LIST",
CATALOG NO. 9001.10



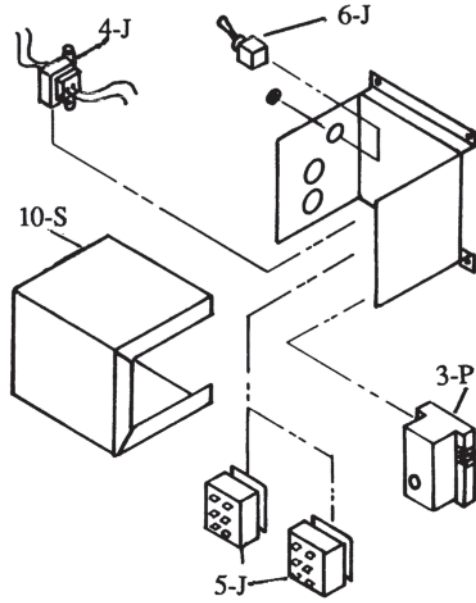
Raypak, Inc., 2151 Eastman Avenue, Oxnard, CA 93030
(805) 278-5300 Fax (800) 872-9725
Litho In U.S.A.



E8/E9



E10/E11



CALL OUT	DESCRIPTION	202	266	332	402	516	602
B	BURNER TRAY						
1-B	Burner Tray w/Burners (Sea Level)*	N/A	N/A	N/A	N/A	N/A	N/A
	Burner Tray w/o Burners (Sea Level)*	N/A	N/A	N/A	N/A	N/A	N/A
2-B	Burner Tray w/Burners (Sea Level)*					N/A	N/A
	Burner Tray w/o Burners (Sea Level)*					N/A	N/A
3-B	Burner Spacer/Holddown Bracket Kit	N/A	N/A	N/A	N/A	N/A	N/A
4-B	Burner	301210/12	301210/16	301210/20	301210/24	301210/31	301210/36
5-B	Burner Orifice Nat. #48 (Sea Level)*	350077/12	350077/16	350077/20	350077/24	350077/31	350077/36
	Burner Orifice Pro.#57 (Sea Level)*	350083/12	350083/16	350083/20	350083/24	350083/31	350083/36
C	CONTROLS						
1-C	Auto Hi Limit Fixed (T)	600791	600791	600791	600791	600791	600791
2-C	Manual Hi Limit (THWS, TIP)	007144F	007144F	007144F	007144F	007144F	007144F
	Auto Reset Dualstat (WT, TC)	600464	600464	600464	600464	600464	600464
	Adj. Auto Hi Limit (TB, TD, TIPR)	007141F	007141F	007141F	007141F	007141F	007141F
	Controller 2-Stage (TB)	600887	600887	600887	600887	600887	600887
3-C	Flow Switch (TD, TIP, TIPR)	007142F	007142F	007142F	007142F	007142F	007142F
4-C	Low Water Cut-Off (Not Shown)	006202F	006202F	006202F	006202F	006202F	006202F
5-C	Thermostat Economaster	003609F	003609F	003609F	003609F	003609F	003609F
6-C	Flow Switch Paddle	004079F	004079F	004079F	004079F	004079F	004079F
G	GAS VALVES	(SEE GAS VALVES REPLACEMENT CHART)					
H	HEAT EXCHANGER						
1-H	Heat Exch Assy Brass 1 1/4"	N/A	N/A	N/A			
	Heat Exch Assy Cast Iron 2"			N/A	N/A	N/A	N/A
	Heat Exch Assy Brass 2"			N/A	N/A	N/A	N/A
	Heat Exch Assy Cast Iron w/Pump Hdr			N/A	N/A	N/A	N/A
	Heat Exch Assy Brass w/Pump Hdr			N/A	N/A	N/A	N/A
	Heat Exch Assy Cast Iron w/Pump Hdr TIP			N/A	N/A	N/A	N/A
	Heat Exch Assy Brass w/Pump Hdr TIP			N/A	N/A	N/A	N/A
	Heat Exch Assy Cast Iron Cupro TIP			N/A	N/A	N/A	N/A
	Heat Exch Assy Brass Cupro TIP			N/A	N/A	N/A	N/A
2-H	Inlet/Outlet Header Brass 1 1/4"	N/A	N/A	N/A			
3-H	Inlet/Outlet Header Cast Iron 2"			N/A	N/A	N/A	N/A
	Inlet/Outlet Header Brass 2"			N/A	N/A	N/A	N/A
	Inlet/Outlet Header Cast Iron TIP			N/A	N/A	N/A	N/A
	Inlet/Outlet Header Brass TIP			N/A	N/A	N/A	N/A
4-H	Return Header Brass 1 1/4"	N/A	N/A	N/A			
5-H	Return Header Cast Iron 2"			N/A	N/A	N/A	N/A
	Return Header Brass 2"			N/A	N/A	N/A	N/A
6-H	Return Header Cast Iron Pump			N/A	N/A	N/A	N/A
	Return Header Brass Pump			N/A	N/A	N/A	N/A
7-H	Tube Bundle 1 1/4"	N/A	N/A	N/A			
	Tube Bundle 2"			N/A	N/A	N/A	N/A
	Tube Bundle 2" Cupro TIP			N/A	N/A	N/A	N/A
8-H	Heat Exchange Tube	N/A	N/A	N/A	N/A	N/A	N/A
	Heat Exchange Tube Cupro TIP			N/A	N/A	N/A	N/A
9-H	Baffle Kit	N/A	N/A	N/A	N/A	N/A	N/A
10-H	Stud Bolt Kit	001051F	001051F	001051F	001051F	001051F	001051F
11-H	Header Gasket	800001B	800001B	800001B	800001B	800001B	800001B
12-H	Sensor Well	007211F	007211F	007211F	007211F	007211F	007211F
13-H	Well Retaining Clip	300203	300203	300203	300203	300203	300203

*FOR ALTITUDES ABOVE 2,000 FEET ABOVE SEA LEVEL, CONSULT THE FACTORY OR SERVICE OUTLET.

CALL OUT	DESCRIPTION	202	266	332	402	516	602
J	J BOX						
1-J	J Box Nat/Pro Std (From 7/80)	N/A	N/A	N/A	N/A		
	J Box Nat IID (From 7/80)	N/A	N/A	N/A	N/A	N/A	N/A
	J Box Pro IID, Lockout (From 7/80)	N/A	N/A	N/A	N/A	N/A	N/A
2-J	J Box C2 N&P (From 7/80)(Not Shown)	N/A	N/A	N/A	N/A	N/A	N/A
	J Box C3 N&P (From 7/80)(Not Shown)	N/A	N/A	N/A	N/A	N/A	N/A
	J Box IRI N&P (From 7/80)(Not Shown)					N/A	N/A
3-J	J Box C-1 (Not Shown)	N/A	N/A	N/A	N/A	N/A	N/A
	J Box D-1	N/A	N/A	N/A	N/A	N/A	N/A
	J Box E-8/E-9	N/A	N/A	N/A	N/A	N/A	N/A
4-J	Transformer 40 VA	006533F	006533F	006533F	006533F	006533F	006533F
	Spark Generator (Not Shown)	007361F	007361F	007361F	007361F	007361F	007361F
	Amplifier Flame Rectification Complete (Not Shown)	008092F	008092F	008092F	008092F	008092F	008092F
5-J	Relay SPST	007377F	007377F	007377F	007377F	007377F	007377F
	Relay SPDT C2 (Not Shown)					650117	650117
	Relay DPDT IRI (Not Shown)	600158	600158	600158	600158	600158	600158
6-J	Toggle Switch	008079F	008079F	008079F	008079F	008079F	008079F
M	MISCELLANEOUS COMPONENTS						
1-M	PRV 30 PSI (TD)	007217F	007217F	007217F	007217F	007217F	007217F
	PRV 60 PSI (T, TB, TC)	007220F	007220F	007220F	007220F	007220F	007220F
	PRV 125 PSI (WT, THWS, TIP, TIPR)	008091F	007224F	007224F	007224F	007224F	007224F
2-M	Delimiting Kit	052869F	052869F	052869F	052869F	052869F	052869F
3-M	T&P Gauge 0-90 PSI	007205F	007205F	007205F	007205F	007205F	007205F
	T&P Gauge 0-200 PSI	007399F	007399F	007399F	007399F	007399F	007399F
4-M	Integral Pump (Not Shown) Indoor*			004844F	004844F	004844F	004844F
P	PILOT	(SEE PILOT REPLACEMENT CHART)					
R	REFRACTORY						
1-R	Refractory Kit	000995F	000995F	000996F	000996F	000997F	000997F
2-R	Refractory Retainer Kit	001627F	001627F	001627F	001627F	001627F	001627F
S	SHEETMETAL						
1-S	Jacket Top	N/A	N/A	N/A	N/A	N/A	N/A
2-S	Flue Collector	N/A	N/A	N/A	N/A	N/A	N/A
3-S	Door Assy	N/A	N/A	N/A	N/A	N/A	N/A
4-S	Access Panel 1 1/4" Hdr	001842F	001842F	001842F			
5-S	Access Panel 2" Hdr			001843F	001843F	001843F	001843F
6-S	Access Panel 2" Hdr			001844F	001844F	001844F	001844F
7-S	Control Cover			N/A	N/A	N/A	N/A
8-S	Gas Valve Cover			N/A	N/A	N/A	N/A
9-S	Pump Cover			002671F	002671F	002671F	002671F
10-S	J Box Sheetmetal	N/A	N/A	N/A	N/A	N/A	N/A
V	VENTING						
1-V	Stackless Top Kit (Outdoor)	N/A	N/A	N/A	N/A	N/A	N/A
2-V	Draft Hood (Indoor)	N/A	N/A	N/A	N/A	N/A	N/A

* For individual pump parts see separate pump parts IPL 9300,100

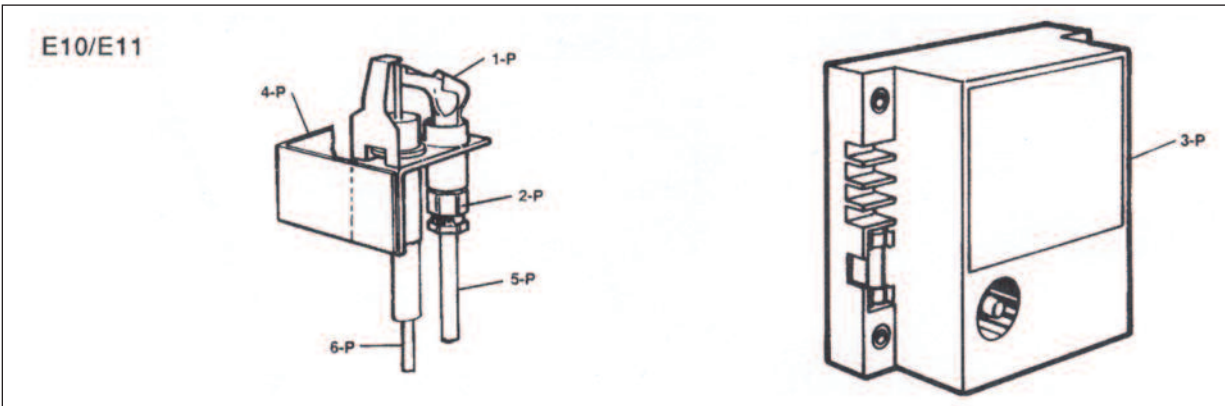
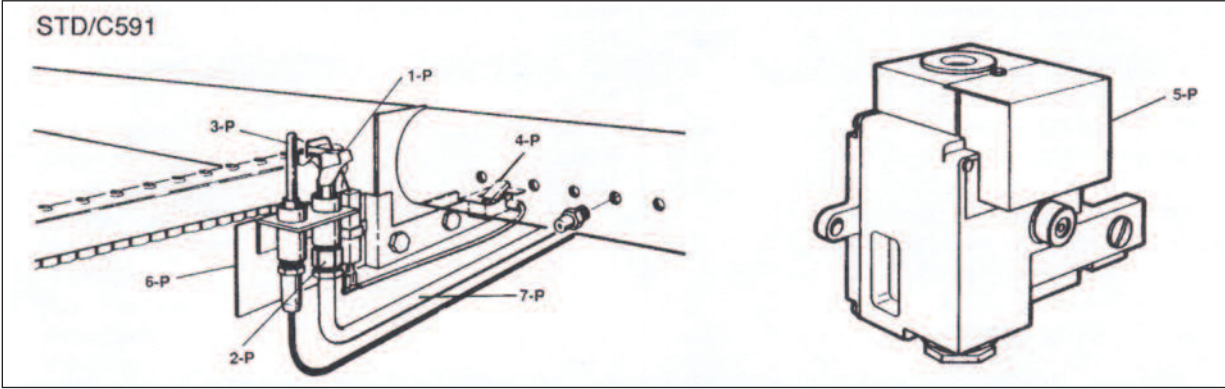
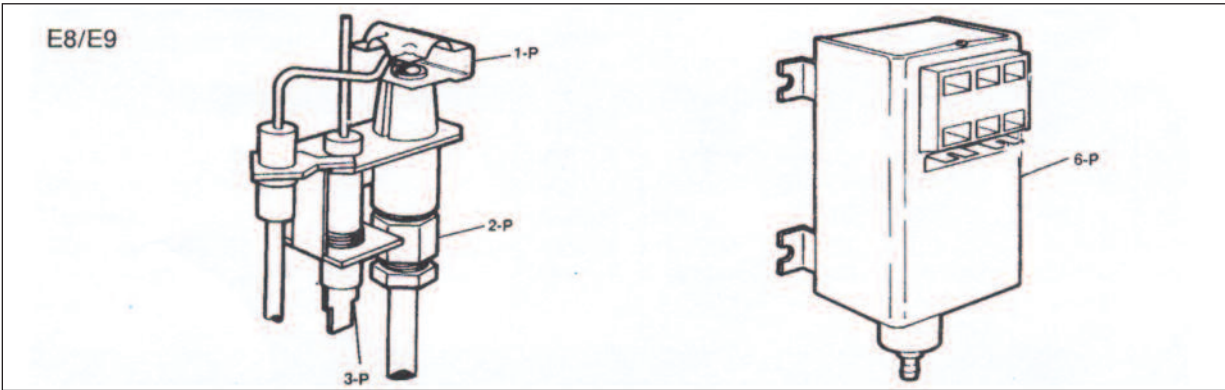
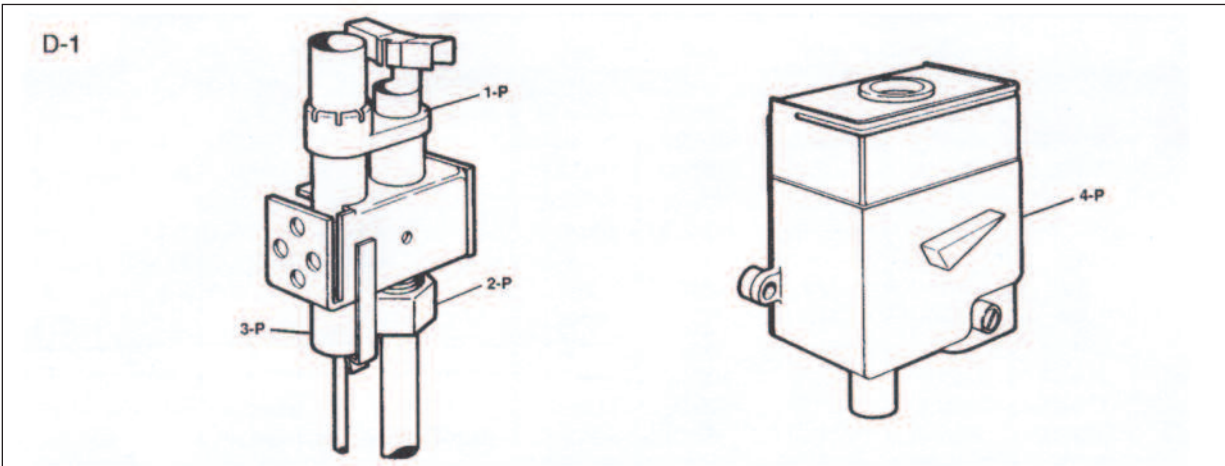


Fig. #9437

CALL OUT	DESCRIPTION	202	266	332	402	516	602
P	PILOT						
	C-1 RA890F TORCH IGN (Before 7-80) Not Shown						
1-P	Pilot Nat	002803F	002803F	002803F	002803F	002805F	002805F
	Pilot Pro	002804F	002804F	002804F	002804F	002806F	002806F
2-P	Pilot Orifice Nat	600529F	600529F	600529F	600529F	600529F	600529F
	Pilot Orifice Pro	600528F	600528F	600528F	600528F	600528F	600528F
3-P	Thermocouple	600003	600003	600003	600003	600003	600003
4-P	Spark Generator	007361F	007361F	007361F	007361F	007361F	007361F
5-P	Pilot Mounting Bracket	N/A	N/A	N/A	N/A	N/A	N/A
6-P	Pilot Tube (Specify Length)	400013	400013	400013	400013	400013	400013
	C-2 RA890F/C3 RA890H IGN (Before 7-80) Not Shown						
1-P	Pilot Nat	002807F	002807F	002807F	002807F	002808F	002808F
	Pilot Pro	002811F	002811F	002811F	002811F	002812F	002812F
2-P	Pilot Orifice Nat	600529F	600529F	600529F	600529F	600529F	600529F
	Pilot Orifice Pro	600528F	600528F	600528F	600528F	600528F	600528F
3-P	Ignition Control	007359F	007359F	007359F	007359F	007359F	007359F
4-P	Pilot Mounting Bracket	N/A	N/A	N/A	N/A	N/A	N/A
5-P	Pilot Tube (Specify Length)	400013	400013	400013	400013	400013	400013
	C2 RA890F/C3 RA890H IGN (After 7-80) Not Shown						
1-P	Pilot Nat	002065F	002065F	002065F	002065F	002236F	002236F
	Pilot Pro	N/A	N/A	N/A	N/A	N/A	N/A
2-P	Pilot Orifice Nat	600552	600552	600552	600552	600552	600552
	Pilot Orifice Pro	600148F	600148F	600148F	600148F	600148F	600148F
3-P	Ignition Control	007359F	007359F	007359F	007359F	007359F	007359F
4-P	Pilot Mounting Bracket	304462F	304462F	304462F	304462F	304666F	304666F
5-P	Ignition Rod	N/A	N/A	N/A	N/A	N/A	N/A
6-P	Pilot Tube (Specify Length)	400013	400013	400013	400013	400013	400013
7-P	Hi Tension Wire	002663B	002663B	002663B	002663B	002663B	002663B
	D-1 A100S IGN (Before 7-80) Not Shown						
1-P	Pilot Nat	N/A	N/A	N/A	N/A	N/A	N/A
	Pilot Pro	002829F	002829F	002829F	002829F	N/A	N/A
2-P	Pilot Orifice Nat	N/A	N/A	N/A	N/A	N/A	N/A
	Pilot Orifice Pro	N/A	N/A	N/A	N/A	N/A	N/A
3-P	Thermocouple	N/A	N/A	N/A	N/A	N/A	N/A
4-P	Ignition Control	N/A	N/A	N/A	N/A	N/A	N/A
5-P	Pilot Mounting Bracket	303609F	303609F	303609F	303609F	303612F	303612F
6-P	Pilot Tube (Specify Length)	400013	400013	400013	400013	400013	400013
7-P	Ignitor Wire	N/A	N/A	N/A	N/A	N/A	N/A

CALL OUT	DESCRIPTION	202	266	332	402	516	602
E8/E9 G60 IGN (Before 7-80) Not Shown							
1-P	Pilot Nat (E8/E9)	N/A	N/A	N/A	N/A	N/A	N/A
	Pilot Pro (E8)	N/A	N/A	N/A	N/A	N/A	N/A
2-P	Pilot Orifice Nat (E8/E9)	N/A Use 1-P	N/A Use 1-P				
	Pilot Orifice Pro (E8)	N/A	N/A	N/A	N/A	N/A	N/A
3-P	Sensor Probe	N/A	N/A	N/A	N/A	N/A	N/A
4-P	Sensor Cable	N/A	N/A	N/A	N/A	N/A	N/A
6-P	Ignition Control	600559F	600559F	600559F	600559F	600559F	600559F
7-P	Circuit Breaker (E9 Only)	N/A	N/A	N/A	N/A	N/A	N/A
8-P	Pilot Mounting Bracket	303608F	303608F	303608F	303608F	303612F	303612F
9-P	Pilot Tube (Specify Length)	400013	400013	400013	400013	400013	400013
STD/C591 IGN							
1-P	Pilot Nat	002001F	002001F	002001F	002001F	002412F	002412F
	Pilot Pro	002002F	002002F	002002F	002002F	N/A	N/A
2-P	Pilot Orifice Nat	003901F	003901F	003901F	003901F	600552	600552
	Pilot Orifice Pro	003902F	003902F	003902F	003902F	600148	600148
3-P	Thermocouple	600003	600003	600003	600003	600003	600003
4-P	Ignitor Standing (Piezo)	N/A	N/A	N/A	N/A	N/A	N/A
5-P	Ignition Control	600017F	600017F	600017F	600017F	600017F	600017F
6-P	Pilot Mounting Bracket	303731F	303731F	303731F	303731F	303612F	303612F
7-P	Pilot Tube (Specify Length)	400013	400013	400013	400013	400013	400013
E-10/E-11 IGN (After 7-80)							
1-P	Pilot Nat	002003F	002003F	002003F	002003F	002234F	002234F
	Pilot Pro, Lockout Nat	002003F	002003F	002003F	002003F	002235F	002235F
2-P	Pilot Orifice Nat	600811	600811	600811	600811	600552	600552
	Pilot Orifice Pro, Lockout	004308F	004308F	004308F	004308F	600894	600894
3-P	Ignition Control Nat	004817B	004817B	004817B	004817B	004817B	004817B
4-P	Ignition Control Pro, Lock	004818B	004818B	004818B	004818B	004818B	004818B
5-P	Pilot Mounting Bracket	304580F	304580F	304580F	304580F	304666	304666
6-P	Pilot Tube (Specify Length)	400013	400013	400013	400013	400013	400013
7-P	Hi Tension Wire	002663B	002663B	002663B	002663B	002663B	002663B

CALL OUT	PARTS DESCRIPTION	PART NUMBER	WT				THWS				TIP				TIPR							
			202	266	332	402	516	602	202	266	332	402	516	602	332	402	516	602	332	402	516	602
G	GAS VALVES																					
*	Manual "B" Valve 1/8"	007195F					1	1				1	1			1	1				1	1
*	Lube/Cock Valve 1"	600324					2	2				2	2			2	2				2	2
*	Pressure Regulator Nat. 1/8"	600217					1	1				1	1			1	1				1	1
*	Pressure Regulator Pro. 1/8"	003568F					1	1				1	1			1	1				1	1
*	Pressure Regulator Nat. 1"	007932F					1	1				1	1			1	1				1	1
*	Pressure Regulator Pro 1"	003570F					1	1				1	1			1	1				1	1
*	Pilot Gas Valve	600154					1	1				1	1			1	1				1	1
	Mod Valve 85 - 210°F 1/2"	N/A							1													
	Mod Valve 85 - 210°F 3/4"	N/A								1	1											
	Mod Valve 85 - 210°F 1"	N/A										1	2	2								
	Mod Valve 120 - 240°F 1/2"	N/A																				
	Mod Valve 120 - 240°F 3/4"	N/A																				
	Mod Valve 120 - 240°F 1"	N/A																				
	Mod Valve 110 - 170°F 3/4"	N/A												1								
	Mod Valve 110 - 170°F 1"	N/A													1	2	2					
	Mod Valve 150 - 210°F 3/4"	N/A																1				
	Mod Valve 150 - 210°F 1"	N/A																	1		2	2
	Mod Valve 140°F Max 1/2"	N/A																				
	Mod Valve 140°F Max 3/4"	N/A																				
	Mod Valve 140°F Max 1"	N/A																				
	Combination Gas Valve Nat. 1/2"	004868F	1						1													
	Combination Gas Valve Pro. 1/2"	N/A	1						1													
	Combination Gas Valve Nat. 1"	004093F		1	1	1				1	1	1			1	1			1	1		
	Combination Gas Valve Pro. 3/4"	N/A		1	1	1				1	1	1			1	1			1	1		
	Combination Gas Valve (IID) Nat. 3/4"	003900F	1	1	1	1			1	1	1	1			1	1			1	1		
	Combination Gas Valve (IID) Pro. 3/4"	N/A	1	1	1	1			1	1	1	1			1	1			1	1		
	Combination Gas Valve (IID) Nat. 1"	004877F					1	1					1	1							1	1
	Combination Gas Valve (IID) Pro. 1"	N/A					1	1					1	1							1	1
	Combination 2-Stage Valve Std. Nat. 3/4"	N/A																				
	Combination 2-Stage Valve Std. Pro. 3/4"	N/A																				
	Combination 2-Stage Valve IID Nat. 3/4"	N/A																				
	Combination 2-Stage Valve IID Pro. 3/4"	N/A																				
	Combination 2-Stage Valve IID Nat. 1"	601136																				
	Combination 2-Stage Valve IID Pro. 1"	N/A																				
*	Actuator, 2-Stage	600458																				
*	Actuator, On/Off	011908F					2	2					2	2			2	2			2	2
*	Gas Valve Body	014014F																				
*	Gas Valve Body	600467					2	2					2	2			2	2			2	2
*	Gas Vent Valve	011913F					1	1					1	1			1	1			1	1
*	Gas Pressure Switch Low	007187F					1	1					1	1			1	1			1	1
*	Gas Pressure Switch High	007188F					1	1					1	1			1	1			1	1

* REQUIRED FOR IRI MODELS



Registered Quality Management System

www.raypak.com