

Date: _____ Job: _____ Location: _____

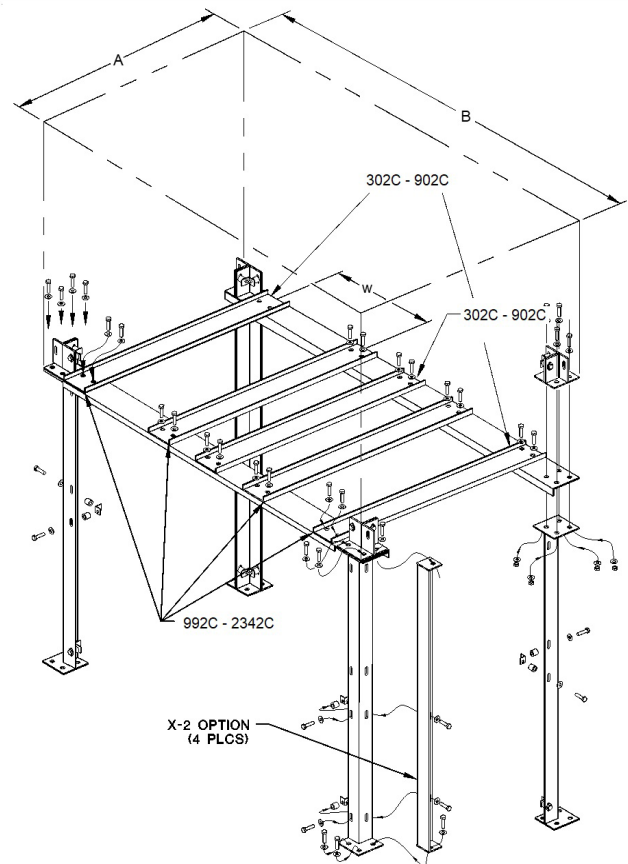
Equipment Tags: _____ Engineer: _____ Contractor: _____

Model: _____ Notes: _____

Prepared by: _____ Indoor Outdoor Gas Type: Natural Gas Propane

Features

- Two-Boiler Vertical Stack
- No Vent Offset Required Small Footprint
- Low Ceiling Height
- Heavy Duty Construction
- See installation manual 240792



Hi Delta Model	SureRack Kit (X-1)					Above-Grade Add-On (X-2)	Stacked Boiler Height in (mm)	
	Part No.	"Weight lbs. (Kg) "	Dimensions in (mm)					Cross Beams
			A	B	W			
<input type="checkbox"/> 302C	6906	201 (91.2)	30 (762)	41-1/4 (1048)	CTR.	3	P/N 011919	72-1/4 (1835)
<input type="checkbox"/> 402C	6907	214 (97.1)		48-1/4 (1226)				
<input type="checkbox"/> 502C	6908	228 (103.4)		55-1/4 (1403)				
<input type="checkbox"/> 652C	6909	257 (116.6)		65-3/4 (1670)				
<input type="checkbox"/> 752C	6910	265 (120.2)		72-3/4 (1848)				
<input type="checkbox"/> 902C	6911	276 (125.2)		83-1/4 (2115)				
<input type="checkbox"/> 992C	11563	340 (154.2)	37-1/2 (953)	64-1/8 (1629)	16-13/16 (427)	4	P/N 011920	82-1/2 (2096)
<input type="checkbox"/> 1262C	11564	361 (163.7)		75-1/2 (1918)	20-9/16 (522)			
<input type="checkbox"/> 1532C	11565	371 (168.3)		87 (2210)	26-3/8 (670)			
<input type="checkbox"/> 1802C	11566	408 (185)		98-1/8 (2492)	30-1/8 (765)			
<input type="checkbox"/> 2002C	11567	428 (194.1)		109-1/2 (2781)	33-15/16 (862)			
<input type="checkbox"/> 2072C	11567	428 (194.1)		109-1/2 (2781)	33-15/16 (862)			
<input type="checkbox"/> 2342C	11568	458 (207.7)		121 (3073)	37-11/16 (957)			

Hi Delta Model	Anchoring Dimensions in. (mm)		
	A	B	C
<input type="checkbox"/> 302C	34.288 (870.9)	22.70 (577)	3.50 (89)
<input type="checkbox"/> 402C	41.288 (1048.7)		
<input type="checkbox"/> 502C	48.288 (1226.5)		
<input type="checkbox"/> 652C	58.788 (1493.2)		
<input type="checkbox"/> 752C	65.788 (1671)		
<input type="checkbox"/> 902C	78.288 (1988.5)		
<input type="checkbox"/> 992C	56.12 (1425.4)	31.56 (802)	3.25 (83)
<input type="checkbox"/> 1262C	67.44 (1713)		
<input type="checkbox"/> 1532C	78.78 (2001)		
<input type="checkbox"/> 1802C	90.12 (2289)		
<input type="checkbox"/> 2002C	101.470 (2578)		
<input type="checkbox"/> 2072C			
<input type="checkbox"/> 2342C	112.81 (2865.4)		

Anchoring Information

For reference only. Recommended to match drill on job site.

- Use a minimum of two bolts ½" x 5", A-307 Grade 5.2 or equivalent. Use Hilti® HY-150 adhesive to secure expansion anchor. For additional information see SureRack Kit installation instructions.
- Approved for all installations.

