

APPROVED

# RAYPAK ILLUSTRATED PARTS LIST

THE PARTS LISTED ARE FOR STANDARD EQUIPMENT FOR THIS MODEL TYPE. RAYPAK RESERVES THE RIGHT TO SUBSTITUTE, DELETE OR CHANGE ANY PART WITHOUT NOTIFICATION. THE ADDITION OF OPTIONS MAY ALSO CHANGE SOME OF THE PARTS. ORDER REPLACEMENT PARTS FROM ACTUAL HEATER COMPONENTS.

**MODELS: MVB 504 THRU 2004**

**MODEL TYPES: MODULATING VERTICAL BOILER H, WH & P [CAT I]**

DATES OF MANUFACTURE: 7-01-07 THROUGH 9-30-14 - P MODELS

7-01-07 THROUGH 2-29-13 - H & WH MODELS



FOR DETAILED INSTRUCTIONS, SEE "HOW TO USE YOUR RAYPAK ILLUSTRATED PARTS LIST", CATALOG NO. 9001.10

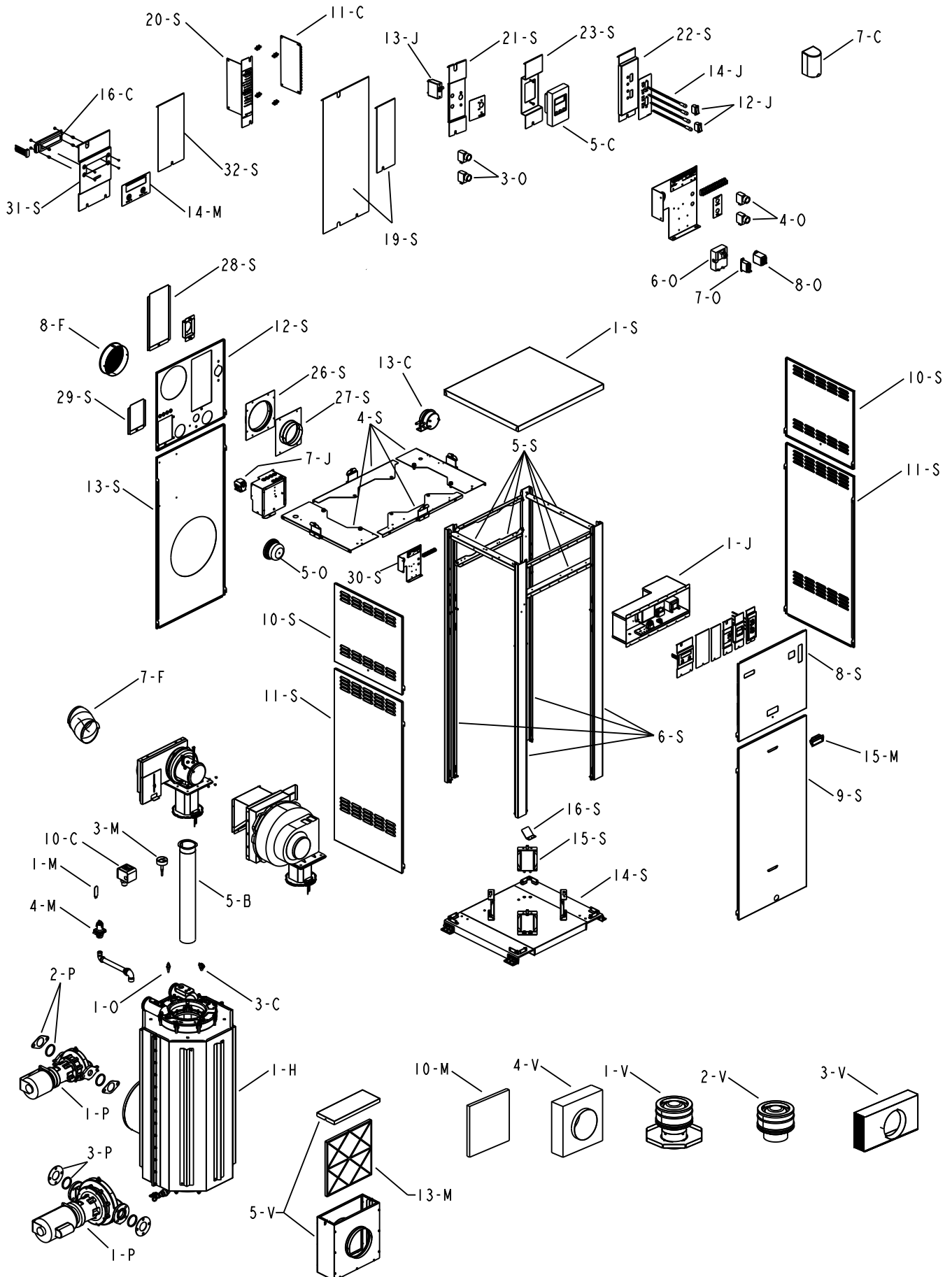
**Raypak**<sup>®</sup>  
A Rheem<sup>®</sup> Company

Effective: 02-26-21

Replaces: 02-01-15

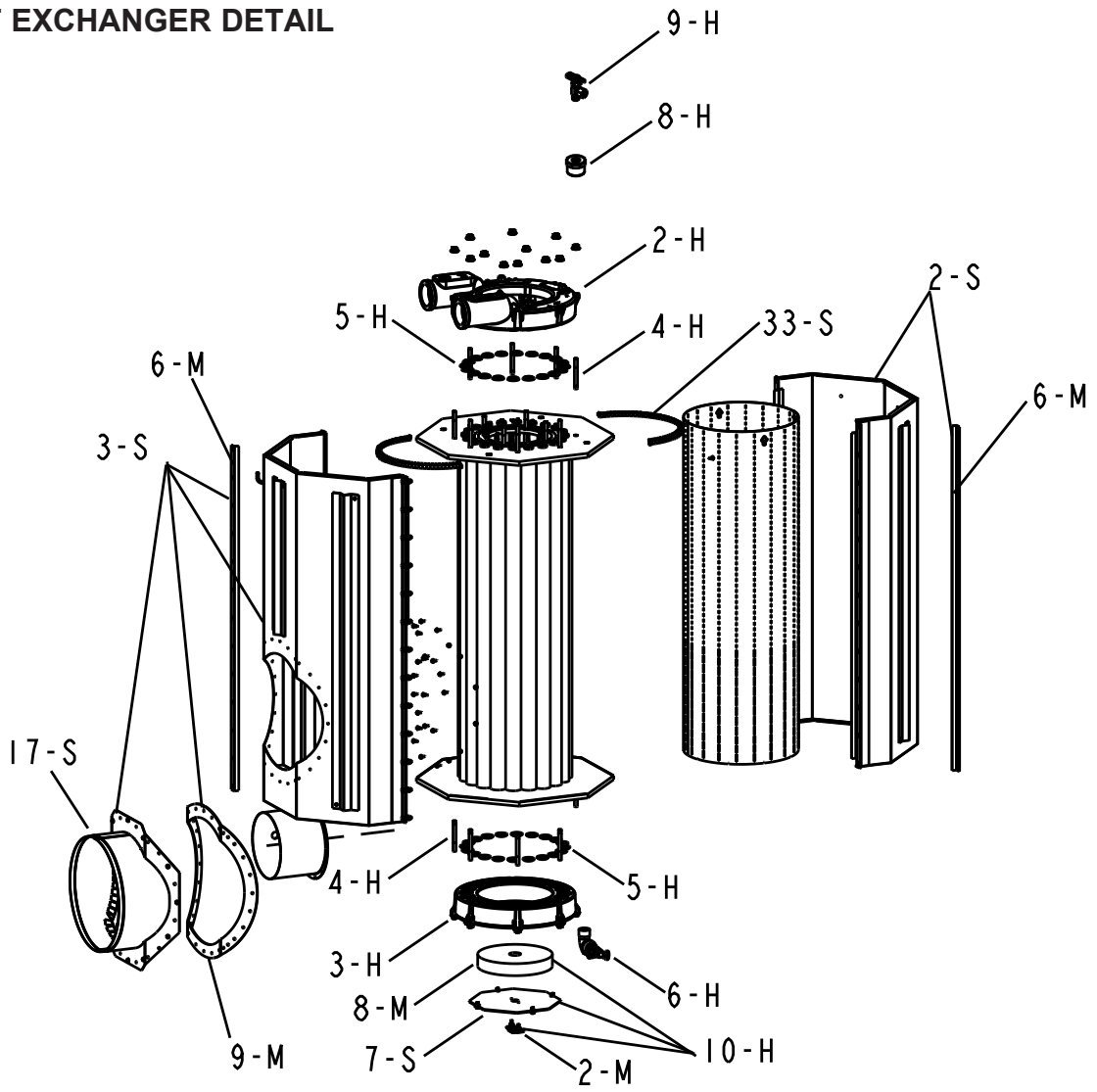
P/N: 241318 Rev. 12

**UNCONTROLLED DOCUMENT IF PRINTED**

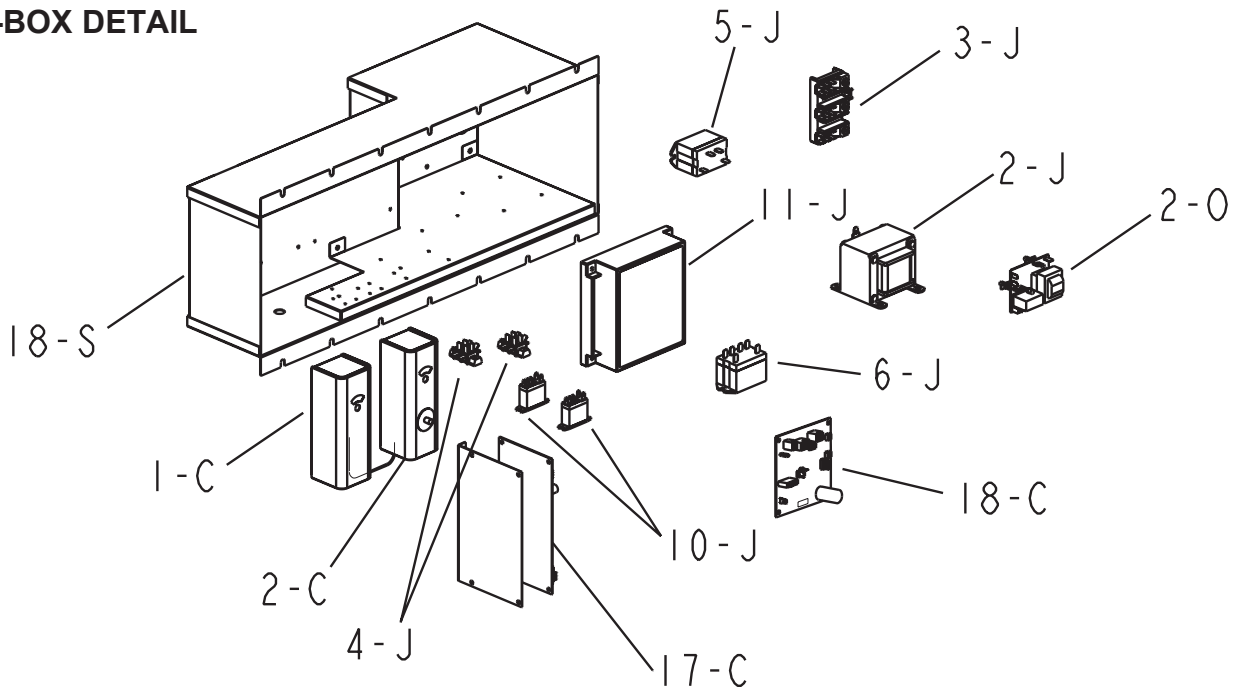


APPROVED

### HEAT EXCHANGER DETAIL



### J-BOX DETAIL

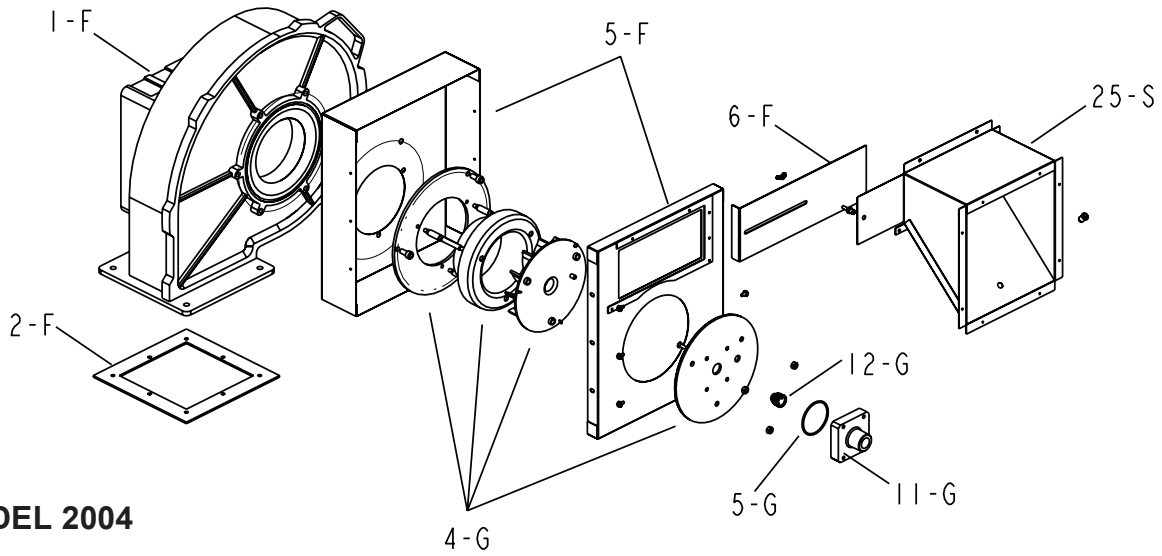
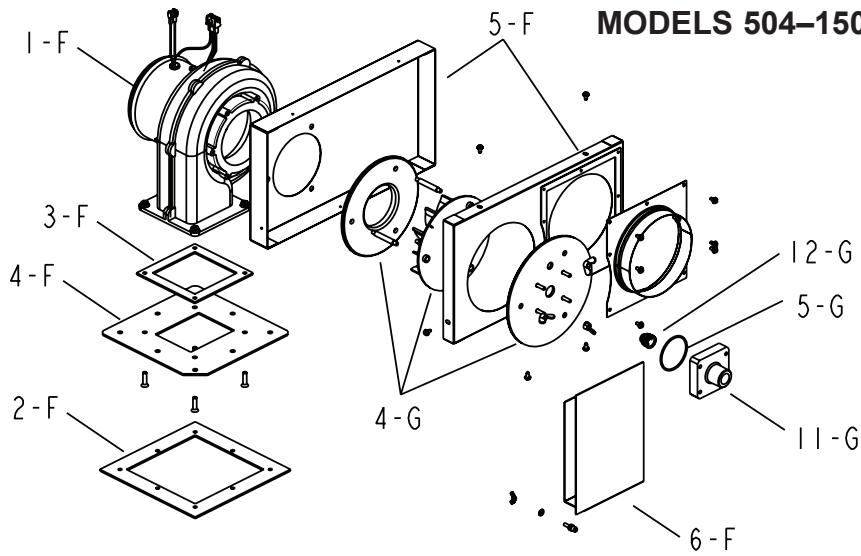


UNCONTROLLED DOCUMENT IF PRINTED

**BLOWER  
DETAIL**

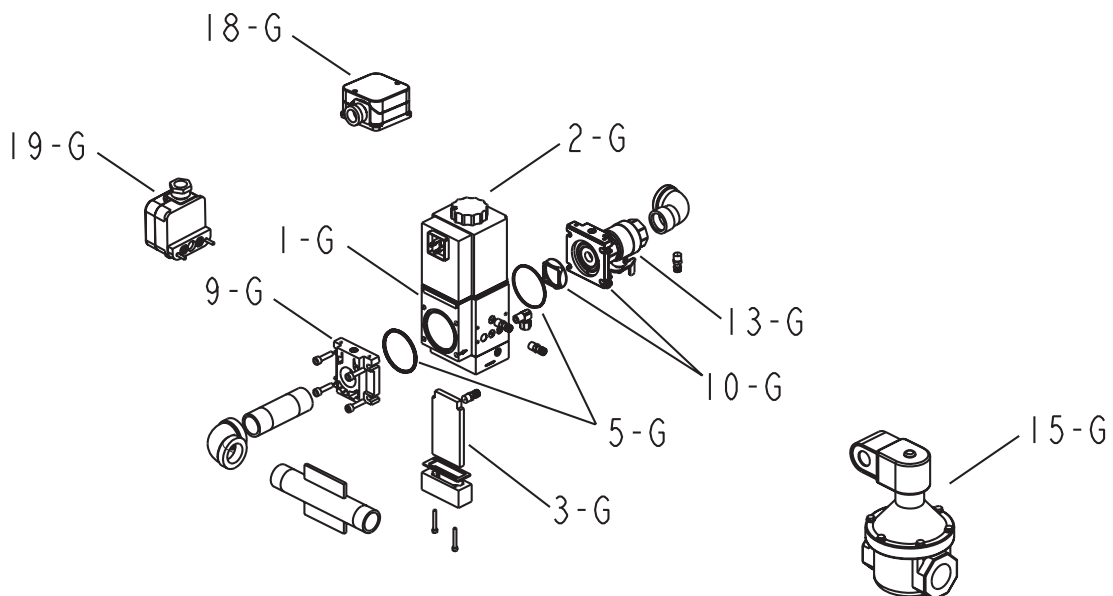
**APPROVED**

**MODELS 504-1504**



**MODEL 2004**

**GAS TRAIN DETAIL**



**APPROVED**

| CALL OUT | DESCRIPTION  | 504     | 754     | 1104    | 1504    | 2004    |
|----------|--|---------|---------|---------|---------|---------|
| <b>B</b> | <b>BURNER ASSEMBLY</b>   |         |         |         |         |         |
| 1-B      | Adapter Assembly   | 011749F | 011749F | 011749F | 011749F | 011750F |
| 2-B      | Adapter Gaskets and Heat Shield  | 011751F | 011751F | 011751F | 011751F | 011751F |
| 3-B      | Flame Sensor Probe   | 011752F | 011752F | 011752F | 011752F | 011752F |
| 4-B      | Igniter  | 007400F | 007400F | 007400F | 007400F | 007400F |
| 5-B      | Burner   | 011753F | 011754F | 011754F | 011755F | 011756F |
| <b>C</b> | <b>CONTROLS</b>  |         |         |         |         |         |
| 1-C      | Auto Reset Adjustable High Limit 240°F Max   | 011860F | 011860F | 011860F | 011860F | 011860F |
|          | Auto Reset Adjustable High Limit 180°F Max   | 006445F | 006445F | 006445F | 006445F | 006445F |
|          | Auto Reset Adjustable High Limit 140°F Max Pool  | 006445F | 006445F | 006445F | 006445F | 006445F |
|          | Auto Reset Adjustable High Limit 200°F Max   | 012546F | 012546F | 012546F | 012546F | 012546F |
| 2-C      | Manual Reset Adjustable High Limit 240°F Max   | 007144F | 007144F | 007144F | 007144F | 007144F |
|          | Manual Reset Adjustable High Limit 200°F Max   | 008081F | 008081F | 008081F | 008081F | 008081F |
|          | Manual Reset Adjustable High Limit 180°F Max   | 009554F | 009554F | 009554F | 009554F | 009554F |
| 3-C      | Manual Reset Fixed High Limit 240°F  | 008520F | 008520F | 008520F | 008520F | 008520F |
|          | Manual Reset Fixed High Limit 200°F  | 008093F | 008093F | 008093F | 008093F | 008093F |
|          | Manual Reset Fixed High Limit 175°F  | 600952B | 600952B | 600952B | 600952B | 600952B |
| 4-C      | Remote Aquastat (Tankstat) 2-Stage B-3 (Not Shown)   | 007392F | 007392F | 007392F | 007392F | 007392F |
| 5-C      | Controller Modulating (Tekmar) H7 MIN 70%  | 012251F | 012251F | 012251F | 012251F | 012251F |
|          | Controller On/Off (Tekmar) WH1   | 012252F | 012252F | 012252F | 012252F | 012252F |
|          | Controller On/Off (Tekmar) P, WHP  | 012253F | 012253F | 012253F | 012253F | 012253F |
| 6-C      | Controller 4-Stage B-21 Digital Optional (Not Shown)   | 009862F | 009862F | 009862F | 009862F | 009862F |
|          | Controller 2-Stage B-26 Digital Optional (Not Shown)   | 009861F | 009861F | 009861F | 009861F | 009861F |
| 7-C      | Sensor Outdoor Air B-32  | 010786F | 010786F | 010786F | 010786F | 010786F |
| 8-C      | Sensor Water B-21 thru B-26  | 010787F | 010787F | 010787F | 010787F | 010787F |
| 9-C      | Sensor Water screw-In (Tekmar)   | 011861F | 011861F | 011861F | 011861F | 011861F |
| 10-C     | Flow Switch  | 007142F | 007142F | 007142F | 007142F | 007142F |
| 11-C     | Printed Circuit Board UDB (Diagnostic) w/LED Lights<br>Units manufactured prior to 12/2008   | 018416F | 018416F | 018416F | 018416F | 018416F |
| 17-C     | Printed Circuit Board UDB (Diagnostic) used w/LCD Display<br>Units manufactured from 12/2008 | 012571F | 012571F | 012571F | 012571F | 012571F |
| 16-C     | Diagnostic Display   | 012662F | 012662F | 012662F | 012662F | 012662F |
| 18-C     | Printed Circuit Board UGB Blower   |         |         |         |         | 011759F |
| 13-C     | Air Vent Pressure Switch   | 007158F | 007158F | 007158F | 007158F | 007158F |
| 14-C     | Air Intake Pressure Switch   | 011761F | 011761F | 011761F | 011761F | 011761F |
| <b>J</b> | <b>CONTROL BOX</b>   |         |         |         |         |         |
| 1-J      | Control Box Complete   | N/A     | N/A     | N/A     | N/A     | N/A     |
| 2-J      | Transformer 120/24   | 011762F | 011762F | 011762F | 011762F | 011762F |
| 3-J      | Terminal Block w / Ground Lug  | 008523F | 008523F | 008523F | 008523F | 008523F |
| 4-J      | Terminal Block 2 Space   | 011763F | 011763F | 011763F | 011763F | 011763F |
| 5-J      | Blower Relay 120 VAC   | 008977F | 008977F | 008977F | 008977F | N/A     |
| 6-J      | Pump Relay 24 VAC  | 007925F | 007925F | 007925F | 007925F | 007925F |
| 7-J      | Pump Contactor 120 VAC (Over 3/4 HP Pumps)   | 007906F | 007906F | 007906F | 007906F | 007906F |
|          | Blower Contactor 120 VAC   | N/A     | N/A     | N/A     | N/A     | 007906F |
| 10-J     | Relay 24 VAC (Alarm)   | 009039F | 009039F | 009039F | 009039F | 009039F |
| 11-J     | Ignition Control HSI Single Try  | 009057F | 009057F | 009057F | 009057F | 009057F |
|          | Ignition Control HSI Three Try   | 007374F | 007374F | 007374F | 007374F | 007374F |
| 12-J     | Rocker Switch (Burner / Pump)  | 006872F | 006872F | 006872F | 006872F | 006872F |
| 13-J     | On / Off Shut Down Switch  | 007380F | 007380F | 007380F | 007380F | 007380F |
| 14-J     | Indicator Lamp   | 011848F | 011848F | 011848F | 011848F | 011848F |
| <b>F</b> | <b>FAN</b>   |         |         |         |         |         |
| 1-F      | Blower Combustion Air  | 012442F | 012443F | 012445F | 012446F | 011765F |
| 2-F      | Blower Gasket  | 011885F | 011885F | 011885F | 011885F | 011885F |
| 3-F      | Adapter Gasket   | 011886F | 011886F | 011886F | 011886F | N/A     |
| 4-F      | Adapter Plate  | 011887F | 011887F | 011887F | 011887F | N/A     |
| 5-F      | Plenum Assembly  | 011863F | 011863F | 011863F | 011863F | 011864F |
| 6-F      | Air Shutter  | 011875F | 011875F | 011875F | 011875F | 011876F |
| 7-F      | Hose Duct 6"   | 007420F | 007420F | 007420F | 007420F | N/A     |
| 8-F      | Screen Intake Vent Cap   | 007162F | 007162F | 007162F | 011865F | 011865F |

**APPROVED**

| <b>CALL OUT</b> | <b>DESCRIPTION</b>  | <b>504</b> | <b>754</b> | <b>1104</b> | <b>1504</b> | <b>2004</b> |
|-----------------|---|------------|------------|-------------|-------------|-------------|
| <b>G</b>        | <b>GAS TRAIN</b>  |            |            |             |             |             |
| 1-G             | Valve Gas Modulating 24V (Dungs) Natural Gas                            | 011766F    | 011766F    | 011766F     | 011766F     | 011768F     |
|                 | Valve Gas Modulating 24V (Dungs) Propane Gas                            | 011766F    | 011766F    | 011766F     | 011766F     | 011766F     |
| 2-G             | Valve Coil 24V Nat  | 012310F    | 012310F    | 012310F     | 012310F     | 012311F     |
|                 | Valve Coil 24V Pro  | 012310F    | 012310F    | 012310F     | 012310F     | 012310F     |
| 3-G             | Inlet Gas Filter Natural Gas  | 012294F    | 012294F    | 012294F     | 012294F     | 012295F     |
|                 | Inlet Gas Filter Propane Gas  | 012294F    | 012294F    | 012294F     | 012294F     | 012294F     |
| 4-G             | Swirler   | 011888F    | 011888F    | 011888F     | 011888F     | 011889F     |
| 5-G             | O Rings (Includes Gas Valve and Adapter O Rings)                        | 012440F    | 012440F    | 012440F     | 012440F     | 012441F     |
| 9-G             | Adapter Gas Valve 1" Inlet  | 011915F    | 011915F    | 011915F     | 011915F     | 011915F     |
|                 | Adapter Gas Valve 1-1/4" Inlet  | N/A        | N/A        | 011916F     | 011916F     | N/A         |
|                 | Adapter Gas Valve 2" Inlet  | N/A        | N/A        | N/A         | N/A         | 011917F     |
| 10-G            | Adapter Gas Valve Outlet  |            |            |             |             |             |
|                 | Units manufactured prior to 4/7/08                                      | 012296F    | 012296F    | 012296F     | 012296F     | 012297F     |
|                 | Units manufactured from 4/8/08  | 012545F    | 012545F    | 012545F     | 012545F     | 012297F     |
| 11-G            | Adapter Swirl Plate   | 012298F    | 012298F    | 012298F     | 012298F     | 012298F     |
| 12-G            | Nozzle Natural Gas  | 012299F    | 012300F    | 012301F     | 012303F     | 012305F     |
|                 | Nozzle Propane Gas  | 012306F    | 012307F    | 012308F     | 012308F     | 012301F     |
| 13-G            | Valve Gas Ball (WOG)  | 011769F    | 011769F    | 011769F     | 011769F     | 011769F     |
| 14-G            | Motorized Safety Shut Off Actuator (Optional)                           | 011908F    | 011908F    | 011908F     | 011908F     | 011908F     |
| 15-G            | Solenoid Safety Shut Off Valve Nat (Optional)                           | 011909F    | 011909F    | 011910F     | 011910F     | 011911F     |
|                 | Solenoid Safety Shut Off Valve Pro (Optional)                           | 011909F    | 011909F    | 011909F     | 011909F     | 011909F     |
| 17-G            | Vent Valve Gas Nat (Optional) Not Shown                                 | 011913F    | 011913F    | 011914F     | 011914F     | 011914F     |
|                 | Vent Valve Gas Pro (Optional) Not Shown                                 | 011913F    | 011913F    | 011913F     | 011913F     | 011913F     |
| 18-G            | Switch Low Gas Pressure (Optional)                                      | 011770F    | 011770F    | 011770F     | 011770F     | 011770F     |
| 19-G            | Switch High Gas Pressure (Optional)                                     | 011771F    | 011771F    | 011771F     | 011771F     | 011771F     |
| <b>H</b>        | <b>HEAT EXCHANGER</b>   |            |            |             |             |             |
| 1-H             | Heat Transfer Cupro-nickel Bronze (Includes 15-S)                       | 012254F    | 012255F    | 012256F     | 012257F     | 012258F     |
|                 | Heat Transfer Cupro-nickel Cast Iron (Includes 15-S)                    | 012321F    | 012323F    | 012325F     | 012327F     | 012329F     |
|                 | Heat Transfer Copper Bronze (Includes 15-S)                             | 012259F    | 012260F    | 012261F     | 012262F     | 012263F     |
|                 | Heat Transfer Copper Cast Iron (Includes 15-S)                          | 012320F    | 012322F    | 012324F     | 012326F     | 012328F     |
| 2-H             | Inlet/Outlet Header Bronze  | 009102F    | 009102F    | 009103F     | 009103F     | 009103F     |
|                 | Inlet/Outlet Header Cast Iron   | 012331F    | 012331F    | 012332F     | 012332F     | 012332F     |
| 3-H             | Return Header Bronze  | 007204F    | 007204F    | 007204F     | 007204F     | 007204F     |
|                 | Return Header Cast Iron   | 012330F    | 012330F    | 012330F     | 012330F     | 012330F     |
| 4-H             | Stud Bolt   | 009104F    | 009104F    | 009104F     | 009104F     | 009104F     |
| 5-H             | Header Gasket (20 PCS)  | 007343F    | 007343F    | 007343F     | 007343F     | 007343F     |
| 6-H             | Drain Valve   | 006536F    | 006536F    | 006536F     | 006536F     | 006536F     |
| 7-H             | Automatic Air Vent Valve (Not Shown) (For units built prior to 2/15/18) | 011866F    | 011866F    | 011866F     | 011866F     | 011866F     |
| 8-H             | Manual Air Vent Bushing   | 016282F    | 016282F    | 016282F     | 016282F     | 016282F     |
| 9-H             | Manual Air Vent Valve   | 016970F    | 016970F    | 016970F     | 016970F     | 016970F     |
| 10-H            | Insulation/Sight Glass & Header Cover                                   | 017058F    | 017058F    | 017058F     | 017058F     | 017058F     |
| <b>M</b>        | <b>MISCELLANEOUS COMPONENTS</b>   |            |            |             |             |             |
| 1-M             | Flow Switch Paddle (Taco)   | 010026F    | 010026F    | 010026F     | 010026F     | 010026F     |
| 2-M             | Window Combustion Chamber   | 006947F    | 006947F    | 006947F     | 006947F     | 006947F     |
| 3-M             | T & P Gauge 0-90 PSI  | 007205F    | 007205F    | 007205F     | 007205F     | 007205F     |
|                 | T & P Gauge 0-200 PSI   | 007399F    | 007399F    | 007399F     | 007399F     | 007399F     |
|                 | T & P Gauge 0-230 PSI   | 014221F    | 014221F    | 014221F     | 014221F     | 014221F     |
| 4-M             | PRV 30 PSI  | 007217F    | 007218F    | 007748F     | 007748F     | 007748F     |
|                 | PRV 45 PSI  | 007220F    | 007346F    | 007221F     | 007751F     | 007751F     |
|                 | PRV 60 PSI  | 007222F    | 007222F    | 007222F     | 007753F     | 007754F     |
|                 | PRV 75 PSI  | 007223F    | 007223F    | 007223F     | 007223F     | 007756F     |
|                 | PRV 125 PSI   | 007224F    | 007224F    | 007224F     | 007224F     | 007758F     |
|                 | PRV 150 PSI   | 007225F    | 007225F    | 007225F     | 007225F     | 007225F     |
| 5-M             | RTV Sealant 2.8 oz (Not Shown)  | 008924F    | 008924F    | 008924F     | 008924F     | 008924F     |
|                 | RTV Sealant 10 oz (Not Shown)   | 005755F    | 005755F    | 005755F     | 005755F     | 005755F     |
| 6-M             | Flue Collector Vertical Seal Gasket                                     | 011772F    | 011772F    | 011772F     | 011772F     | 011772F     |
| 8-M             | Insulation Blanket Return Header  | 007241F    | 007241F    | 007241F     | 007241F     | 007241F     |
| 9-M             | Flue Exhaust Adapter Gasket   | 009736F    | 012264F    | 012264F     | 012265F     | 012266F     |
| 10-M            | Inline Intake Air Filter  | 008402F    | 008402F    | 008402F     | 011897F     | 011897F     |
| 13-M            | Inline Intake Air Filter Premium  | 012553F    | 012553F    | 012553F     | 012552F     | 012552F     |
| 14-M            | Membrane Switch   | 012598F    | 012598F    | 012598F     | 012598F     | 012598F     |
| 11-M            | Touch-Up Paint  |            |            |             |             |             |
|                 | Green   | 750125     | 750125     | 750125      | 750125      | 750125      |
|                 | Dark Gray   | 750126     | 750126     | 750126      | 750126      | 750126      |
|                 | Cool Dark Gray  | 750256     | 750256     | 750256      | 750256      | 750256      |
| 12-M            | Wire Harness  |            |            |             |             |             |
|                 | Units manufactured without 30-S Wiring Panel                            | 012538F    | 012538F    | 012538F     | 012538F     | 012538F     |
|                 | Units manufactured with 30-S Wiring Panel                               | 012566F    | 012566F    | 012566F     | 012566F     | 012566F     |
|                 | Units manufactured with 16-C LCD Display                                | 012652F    | 012652F    | 012652F     | 012652F     | 012652F     |
| 16-M            | LCD Display Wire Harness  | 011715F    | 011715F    | 011715F     | 011715F     | 011715F     |
| 15-M            | Plastic Handle  | 012681F    | 012681F    | 012681F     | 012681F     | 012681F     |

**UNCONTROLLED DOCUMENT IF PRINTED**

**APPROVED**

| <b>CALL OUT</b> | <b>DESCRIPTION</b>  | <b>504</b> | <b>754</b> | <b>1104</b> | <b>1504</b> | <b>2004</b> |
|-----------------|---|------------|------------|-------------|-------------|-------------|
| <b>O</b>        | <b>OPTIONS</b>  |            |            |             |             |             |
| 1-O             | Remote Sensor (LWCO)  | 007228F    | 007228F    | 007228F     | 007228F     | 007228F     |
| 2-O             | Control PC Board (LWCO)   | 007157F    | 007157F    | 007157F     | 007157F     | 007157F     |
| 3-O             | Test / Reset Switch (LWCO)                                      | 005641F    | 005641F    | 005641F     | 005641F     | 005641F     |
| 4-O             | Silencer/Reset Switch (Alarm)                                   | 005641F    | 005641F    | 005641F     | 005641F     | 005641F     |
| 5-O             | Alarm Bell 3"   | 005642F    | 005642F    | 005642F     | 005642F     | 005642F     |
|                 | Alarm Bell 4"   | 005643F    | 005643F    | 005643F     | 005643F     | 005643F     |
| 6-O             | Time Delay Contactor 5 Second (Alarm / Dry contacts)            | 008921F    | 008921F    | 008921F     | 008921F     | 008921F     |
| 7-O             | Relay SPDT 24 VAC (Alarm / Dry Contact)                         | 009039F    | 009039F    | 009039F     | 009039F     | 009039F     |
| 8-O             | Relay DPDT 24 VAC (Alarm)                                       | 011720F    | 011720F    | 011720F     | 011720F     | 011720F     |
| <b>P</b>        | <b>PUMPS*</b>   |            |            |             |             |             |
| 1-P             | Pump - Circulating - Bronze (Soft Water)                        | 007226F    | 007226F    | 007227F     | 011845F     | 007351F     |
|                 | Pump - Circulating - Bronze (Medium Water)                      | 007226F    | 007347F    | 011845F     | 007351F     | 007937F     |
|                 | Pump - Circulating - Bronze (Hard Water)                        | 007349F    | 007349F    | 007351F     | 007351F     | 007937F     |
|                 | Pump - Circulating - CI (Soft Water)                            | 007232F    | 007232F    | 007233F     | 011846F     | 007357F     |
|                 | Pump - Circulating - CI (Medium Water)                          | 007232F    | 007353F    | 011846F     | 007357F     | 007938F     |
|                 | Pump - Circulating - CI (Hard Water)                            | 007355F    | 007355F    | 007357F     | 007357F     | 007938F     |
|                 | Pump - Circulating - Bronze (Pool Heaters and CWR)              | 007226F    | 007226F    | 011845F     | 007351F     | 007937F     |
| 2-P             | Pump Flange Gasket (2 Bolt)                                     | 013423F    | 013423F    | 013423F     | 013423F     | 013423F     |
| 3-P             | Pump Flange Gasket (4 Bolt)                                     |            |            |             |             | 014000F     |
| <b>S</b>        | <b>SHEET METAL</b>  |            |            |             |             |             |
| 1-S             | Jacket Top  | 011833F    | 011833F    | 011833F     | 011833F     | 011833F     |
| 2-S             | Flue Collector Front (No Opening) (Includes <b>6-M</b> )        | 012267F    | 012268F    | 012269F     | 012270F     | 012271F     |
| 3-S             | Flue Collector Rear (Opening) (Includes <b>6-M, 9-M, 17-S</b> ) | 012272F    | 012273F    | 012274F     | 012275F     | 012276F     |
| 4-S             | Heat Transfer Supports  | 009107F    | 009107F    | 009107F     | 009107F     | 009107F     |
| 5-S             | Upper Cabinet Supports  | 011849F    | 011849F    | 011849F     | 011849F     | 011849F     |
| 6-S             | Vertical Cabinet Supports                                       | 011801F    | 011802F    | 011803F     | 011804F     | 011806F     |
| 7-S             | Return Header Cover   | 007257F    | 007257F    | 007257F     | 007257F     | 007257F     |
| 8-S             | Jacket Upper Front Panel  | 011808F    | 011808F    | 011808F     | 011808F     | 011809F     |
|                 | Jacket Upper Front Panel w/LCD Display                          | 012699F    | 012699F    | 012699F     | 012699F     | 012700F     |
| 9-S             | Jacket Lower Front Panel  | 011810F    | 011811F    | 011812F     | 011813F     | 011815F     |
| 10-S            | Jacket Upper Side Panel   | 011817F    | 011817F    | 011817F     | 011817F     | 011818F     |
| 11-S            | Jacket Lower Side Panel   | 011819F    | 011820F    | 011821F     | 011822F     | 011824F     |
| 12-S            | Jacket Upper Rear Panel   | 011877F    | 011877F    | 011878F     | 011879F     | 011880F     |
| 13-S            | Jacket Lower Rear Panel   | 012277F    | 012278F    | 012279F     | 012280F     | 012281F     |
| 14-S            | Base Assembly   | 009129F    | 009129F    | 009129F     | 009129F     | 009129F     |
| 15-S            | Leg Bracket ( 4 pcs per boiler)                                 | 007306F    | 007306F    | 007306F     | 007306F     | 007306F     |
| 16-S            | Base Reflector Panel  | 007307F    | 007307F    | 007307F     | 007307F     | 007307F     |
| 17-S            | Flue Exhaust Adapter Assembly                                   | 011901F    | 012282F    | 012282F     | 012283F     | 012284F     |
| 18-S            | Control Box Assy  | 011869F    | 011869F    | 011869F     | 011869F     | 011869F     |
| 19-S            | Control Box Cover Panel   | 011870F    | 011870F    | 011870F     | 011870F     | 011870F     |
| 20-S            | Control Box Cover Panel w/Lights                                | 011871F    | 011871F    | 011871F     | 011871F     | 011871F     |
| 31-S            | Control Box Cover Panel w/LCD Display                           | 012697F    | 012697F    | 012697F     | 012697F     | 012697F     |
| 32-S            | Control Box Cover Panel   | 012698F    | 012698F    | 012698F     | 012698F     | 012698F     |
| 21-S            | Power Switch Mounting Panel                                     | 011872F    | 011872F    | 011872F     | 011872F     | 011872F     |
| 22-S            | Blower/Pump Switch Mounting Panel                               | 011873F    | 011873F    | 011873F     | 011873F     | 011873F     |
| 23-S            | Controller Mounting Panel                                       | 011874F    | 011874F    | 011874F     | 011874F     | 011874F     |
| 25-S            | Intake Air Adapter  | N/A        | N/A        | N/A         | N/A         | 011881F     |
| 26-S            | Intake Air Collar (Outside)                                     | 011898F    | 011898F    | 011898F     | 011899F     | 011882F     |
| 27-S            | Intake Air Collar (Inside)                                      | 011905F    | 011905F    | 011905F     | 011905F     | N/A         |
| 28-S            | Access Panel  | 011883F    | 011883F    | 011883F     | 011883F     | 011884F     |
| 29-S            | Access Panel Wiring Box   | 011906F    | 011906F    | 011906F     | 011906F     | 011906F     |
| 30-S            | 24V Wiring Panel  |            |            |             |             |             |
|                 | Units manufactured without <b>16-C</b> LCD Display              | 012567F    | 012567F    | 012567F     | 012567F     | 012567F     |
|                 | Units manufactured with <b>16-C</b> LCD Display                 | 012636F    | 012636F    | 012636F     | 012636F     | 012636F     |
| 33-S            | Heat Shield Baffle  | 007212F    | 007212F    | 007212F     | 007212F     | 007212F     |
| <b>V</b>        | <b>VENTING</b>  |            |            |             |             |             |
| 1-V             | Outdoor Stack   | 014623F    | 014552F    | 014552F     | 014553F     | 014649F     |
| 2-V             | Vent Cap Vertical for Indoor Units                              | 010803     | 010804     | 010804      | 010805      | 010806      |
| 3-V             | Vent Cap Horizontal Thru-the-Wall for Indoor Units              | 006646     | 006650     | 006650      | 007989      | 007002      |
| 4-V             | Inline Air filter (Complete)                                    | 006926     | 006926     | 006926      | 006927      | 006927      |
| 5-V             | Inline Air filter Premium (Complete)                            | 012460     | 012460     | 012460      | 012461      | 012461      |

\* For individual pump parts see separate pump parts IPL 9300.100

APPROVED



Raypak, Inc. 2151 Eastman Avenue, Oxnard, CA 93030 (805) 278-5300 [www.raypak.com](http://www.raypak.com)

Litho in U.S.A

**UNCONTROLLED DOCUMENT IF PRINTED**