

APPROVED

RAYPAK ILLUSTRATED PARTS LIST

THE PARTS LISTED ARE FOR STANDARD EQUIPMENT FOR THIS MODEL TYPE. RAYPAK RESERVES THE RIGHT TO SUBSTITUTE, DELETE OR CHANGE ANY PART WITHOUT NOTIFICATION. THE ADDITION OF OPTIONS MAY ALSO CHANGE SOME OF THE PARTS. ORDER REPLACEMENT PARTS FROM ACTUAL HEATER COMPONENTS.

MODEL SIZES: 992, 1262, 1532, 1802, 2002, 2072, 2342

MODEL TYPE: HI DELTA H,W, P

DATES OF MANUFACTURE: 05-01-99 THRU 02-28-05



FOR DETAILED INSTRUCTIONS, SEE "HOW TO USE YOUR RAYPAK ILLUSTRATED PARTS LIST", CATALOG NO. 9001.10

Raypak[®]
A Rheem[®] Company

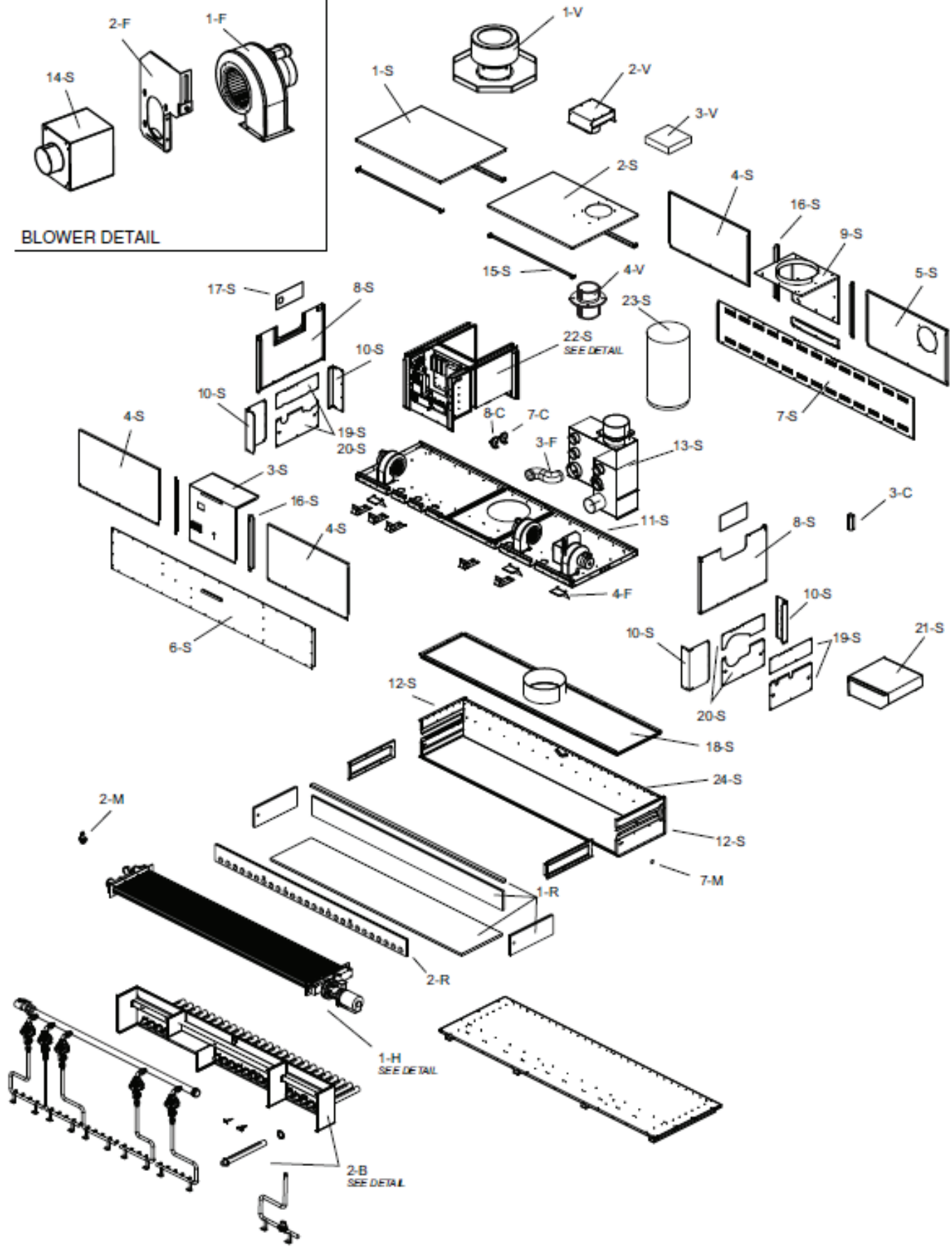
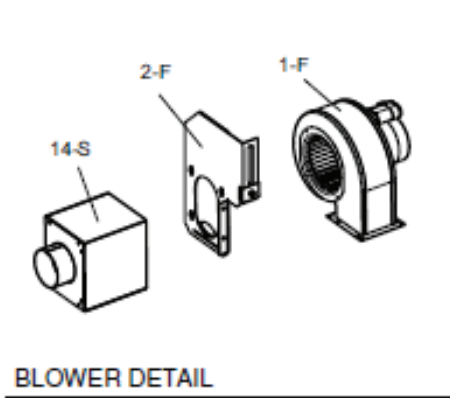
Effective: 02-11-22

Replaces: 9300.76

P/N: 242027 Rev. 1

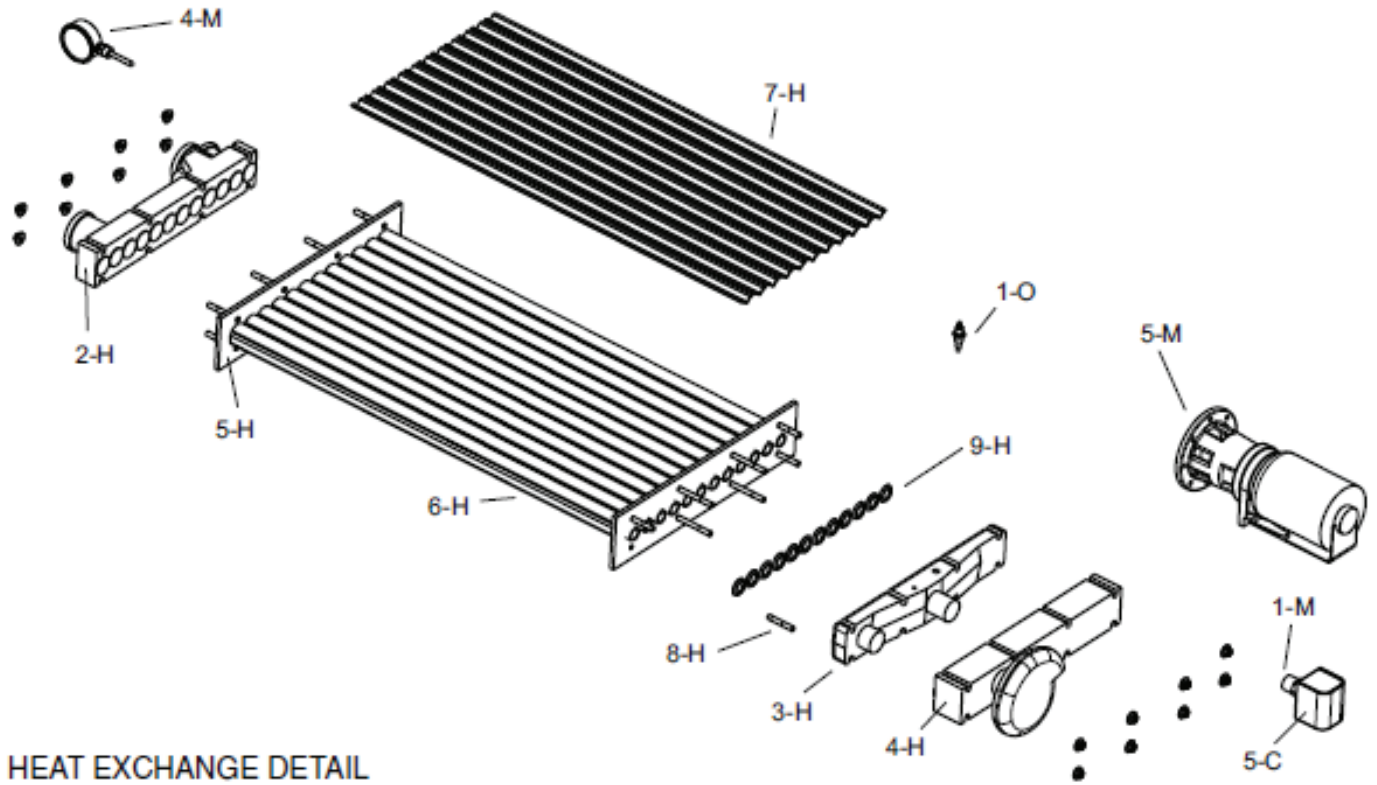
UNCONTROLLED DOCUMENT IF PRINTED

APPROVED

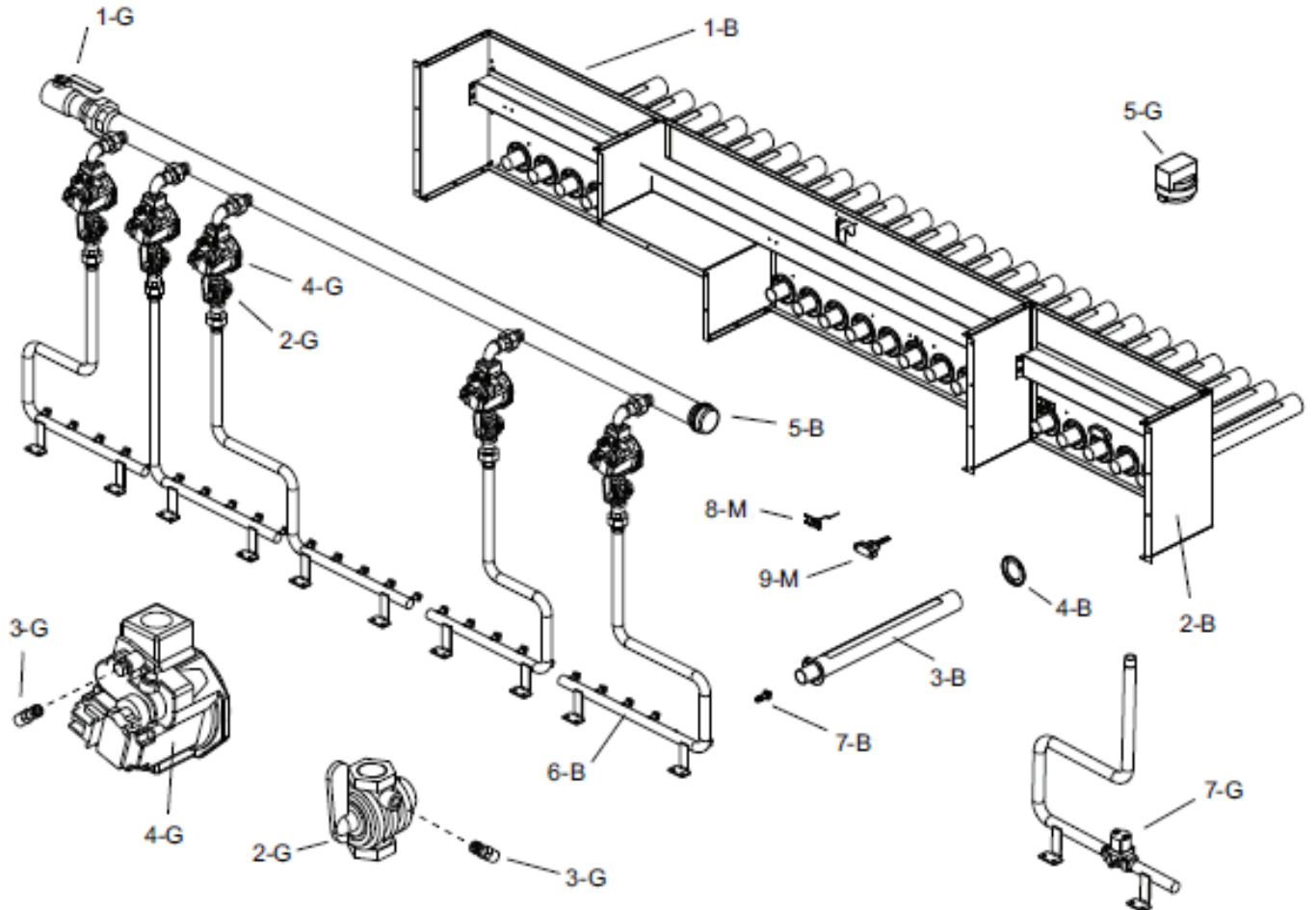


UNCONTROLLED DOCUMENT IF PRINTED

APPROVED

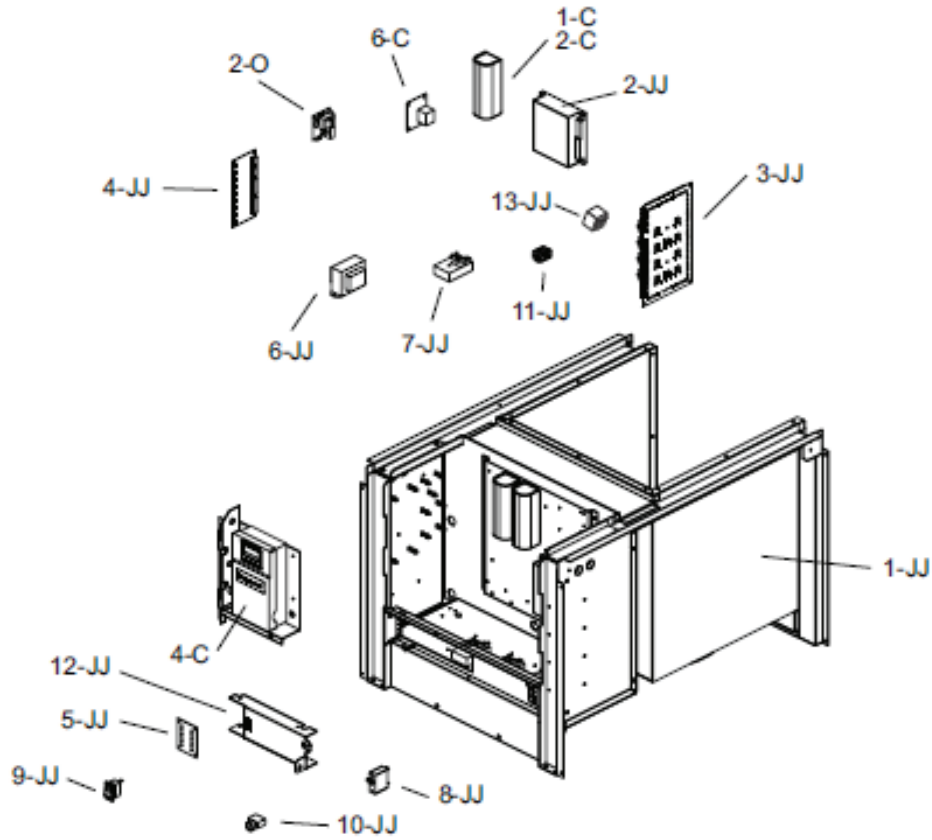


HEAT EXCHANGE DETAIL

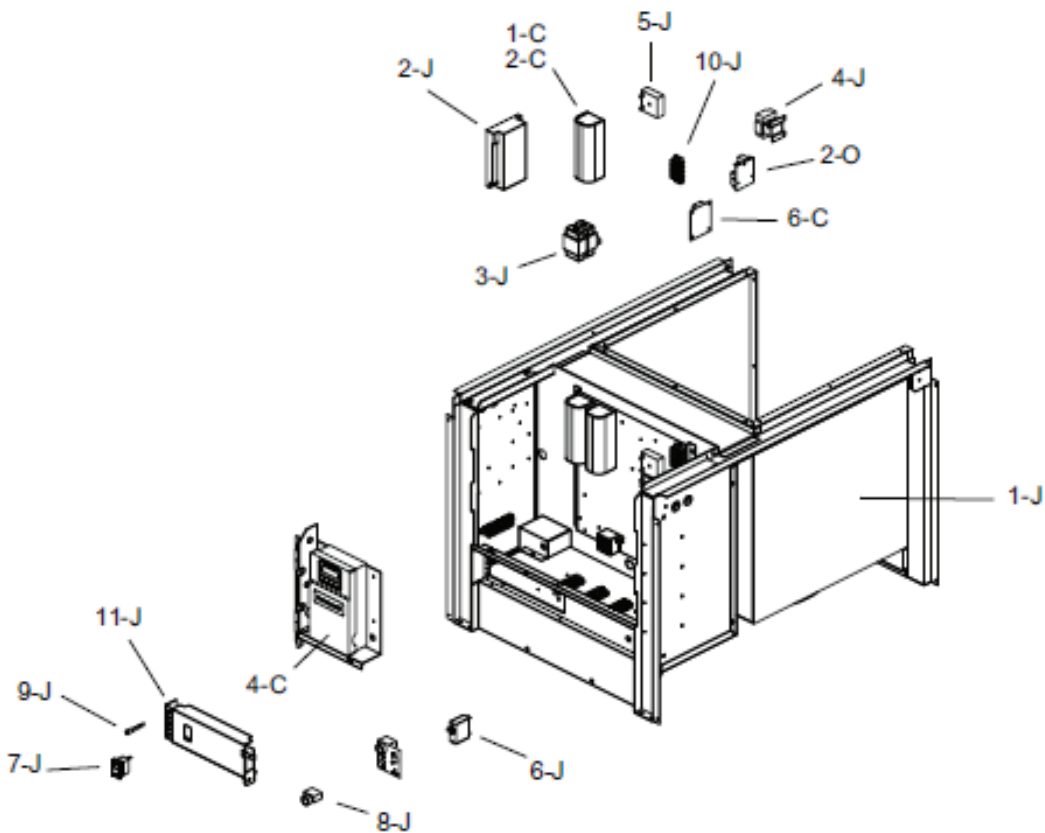


BURNER ASSEMBLY DETAIL

APPROVED



CENTRAL POINT WIRING (CPW) (MARCH 2000 TO 2005)



POINT TO POINT WIRING (1999 TO MARCH 2000)

UNCONTROLLED DOCUMENT IF PRINTED

APPROVED

CALL OUT	DESCRIPTION	992	1262	1532	1802	2002	2072	2342
B	BURNER ASSEMBLY							
1-B	Burner Assy w/Burners	007605F	007606F	007607F	007608F	007609F	007609F	007610F
2-B	Burner Mounting Assy	007611F	007612F	007613F	007614F	007615F	007615F	007616F
3-B	Burner	007617F	007617F	007617F	007617F	007617F	007617F	007617F
4-B	Seal Gasket	007443F	007443F	007443F	007443F	007443F	007443F	007443F
5-B	Manifold Upper	007651F	007652F	007653F	007654F	007655F	007655F	007656F
6-B	Manifold Lower	007657F	007658F	007659F	007660F	007661F	007661F	007662F
	Manifold Lower (Split)	008918F	N/A	N/A	N/A	N/A	N/A	N/A
7-B	Burner Orifice Nat.#33	351444 / 11	351444 / 14	351444 / 17	351444 / 20	N/A	351444 / 23	351444 / 26
	Burner Orifice Nat.#35	N/A	N/A	N/A	N/A	351618 / 23	N/A	N/A
	Burner Orifice Pro.#52	351445 / 11	351445 / 14	351445 / 17	351445 / 20	N/A	351445 / 23	351445 / 26
C	CONTROLS							
1-C	Manual Hi Limit 240 Degree Max	007144F	007144F	007144F	007144F	007144F	007144F	007144F
	Manual Hi Limit 200 Degree Max WH	008081F	008081F	008081F	008081F	008081F	008081F	008081F
2-C	Adj. Auto Hi Limit 240 Degree Max	007141F	007141F	007141F	007141F	007141F	007141F	007141F
	Adj. Auto Hi Limit 180 Degree Max WH	006445F	006445F	006445F	006445F	006445F	006445F	006445F
	Fixed Auto 130 Hi Limit Pool	600892F	600892F	600892F	600892F	600892F	600892F	600892F
	Fixed Auto 140 Hi Limit Pool	600893F	600893F	600893F	600893F	600893F	600893F	600893F
3-C	Remote Aquastat (Tankstat) (B-2)	007148F	007148F	007148F	007148F	007148F	007148F	007148F
	Remote Aquastat (Tankstat) 2-Stage (B-3)	007392F	007392F	007392F	007392F	007392F	007392F	007392F
	Controller 2-Stage (B-4)	N/A	N/A	N/A	N/A	N/A	N/A	N/A
	Controller 2-Stage (B-6)	007392F	007392F	007392F	007392F	007392F	007392F	007392F
	Controller 2-Stage (B-8)	007394F	007394F	007394F	007394F	007394F	007394F	007394F
	Remote Aquastat (Tankstat) 2-Stage (B-9)	006760F	006760F	006760F	006760F	006760F	006760F	006760F
4-C	Controller 2-Stage (B-11) Digital	007395F	007395F	007395F	007395F	007395F	007395F	007395F
	Controller 2-Stage (B-12) Digital	007395F	007395F	007395F	007395F	007395F	007395F	007395F
	Controller 2-Stage (B-13) Digital	007464F	007464F	007464F	007464F	007464F	007464F	007464F
	Controller 4-Stage (B-14) Digital	007465F	007465F	007465F	007465F	007465F	007465F	007465F
	Controller 4-Stage (B-15) Digital	007465F	007465F	007465F	007465F	007465F	007465F	007465F
	Controller On/Off (B-20)	006445F	006445F	006445F	006445F	006445F	006445F	006445F
	Temp Controller (Pool) (Not Shown)	007907F	007907F	007907F	007907F	007907F	007907F	007907F
5-C	Flow Switch	007142F	007142F	007142F	007142F	007142F	007142F	007142F
6-C	Economaster II Control	004675F	004675F	004675F	004675F	004675F	004675F	004675F
7-C	Switch Air Pressure N.C.	007158F	007158F	007158F	007158F	007158F	007158F	007158F
8-C	Switch Air Pressure N.O.	008171F	008171F	008171F	008171F	008171F	008171F	008171F
F	Fan							
1-F	Blower Combustion Air (Left Hand)	007413F	007413F	007413F	007413F	007413F	007413F	007413F
	Blower Combustion Air (Right Hand)	007414F	007414F	007414F	007414F	007414F	007414F	007414F
2-F	Air Shutter Assembly (Left Hand)	007663F	007663F	007663F	007663F	007663F	007663F	007663F
	Air Shutter Assembly (Right Hand)	007664F	007664F	007664F	007664F	007664F	007664F	007664F
3-F	Hose Duct 4"	007419F	007419F	007419F	007419F	007419F	007419F	007419F
	Hose Duct 6"	007420F	007420F	007420F	007420F	007420F	007420F	007420F
4-F	Damper	008698F	008698F	008698F	008698F	008698F	008698F	008698F
5-F	Filter Mounting Bracket	008976F	008976F	008976F	008976F	008976F	008976F	008976F
6-F	Filter	008923F	008923F	008923F	008923F	008923F	008923F	008923F
G	GAS VALVES							
1-G	Main Valve Gas Manual A 2"	007665F	007665F	007665F	007665F	007665F	007665F	007665F
2-G	Valve Gas Manual A 3/4"	007421F	007421F	007421F	007421F	007421F	007421F	007421F
3-G	Bleedle Valve 1/4"	007422F	007422F	007422F	007422F	007422F	007422F	007422F
	Bleedle Valve 1/8"	007423F	007423F	007423F	007423F	007423F	007423F	007423F
4-G	Combination Gas Valve Nat 3/4"	007666F	007666F	007666F	007666F	007666F	007666F	007666F
	Combination Gas Valve Pro 3/4"	007667F	007667F	007667F	007667F	007667F	007667F	007667F
	Combination Gas Valve Nat 3/4"	007428F						
	Combination Gas Valve Pro 3/4"	007427F						
5-G	Switch Low Gas Pressure	007187F	007187F	007187F	007187F	007187F	007187F	007187F
6-G	Switch High Gas Pressure (optional) Not Shown	007188F	007188F	007188F	007188F	007188F	007188F	007188F
7-G	Solenoid Gas Valve	008407F						
H	HEAT EXCHANGER							
1-H	Heat Exch Assy Cast Iron	007668F	007669F	007670F	007671F	007672F	007672F	007673F
	Heat Exch Assy Brass	007674F	007675F	007676F	007677F	007678F	007678F	007679F
	Heat Exch Assy Cast Iron w/Pump Hdr	007680F	007681F	007682F	007683F	007684F	007684F	007685F
	Heat Exch Assy Brass w/Pump Hdr	007686F	007687F	007688F	007689F	007690F	007690F	007691F
	Heat Exch Assy Cast Iron Cupro Nickel	007692F	007693F	007694F	007695F	007696F	007696F	007697F
	Heat Exch Assy Brass Cupro Nickel	007698F	007699F	007700F	007701F	007702F	007702F	007703F
	Heat Exch Assy Brass Cupro Nickel (Pool)				009086F	009087F	009087F	009088F
	Heat Exch Assy Cast Iron w/Pump Hdr Cupro Nickel	007704F	007705F	007706F	007707F	007708F	007708F	007709F
	Heat Exch Assy Brass w/Pump Hdr Cupro Nickel	007710F	007711F	007712F	007713F	007714F	007714F	007715F
	Heat Exch Assy Brass w/Pump Hdr Cupro Nickel (Pool)	009089F	009090F	009091F				
2-H	Inlet/Outlet Header Cast Iron	007716F	007716F	007716F	007716F	007716F	007716F	007716F
	Inlet/Outlet Header Brass	007717F	007717F	007717F	007717F	007717F	007717F	007717F
3-H	Return Header Cast Iron	007718F	007718F	007718F	007718F	007718F	007718F	007718F
	Return Header Brass	007719F	007719F	007719F	007719F	007719F	007719F	007719F
	Return Header (Pool)	010858F	010858F	010858F	010858F	010858F	010858F	010858F
4-H	Return Pump Header Cast Iron	007720F	007720F	007720F	007720F	007720F	007720F	007720F
	Return Pump Header Brass	007721F	007721F	007721F	007721F	007721F	007721F	007721F
	Return Pump Header (Pool)	009085F	009085F	009085F	009085F	009085F	009085F	009085F
5-H	Tube Bundle	007722F	007723F	007724F	007725F	007726F	007726F	007727F
	Tube Bundle Cupro Nickel	007728F	007729F	007730F	007731F	007732F	007732F	007733F
6-H	Heat Exchange Tube	007734F	007735F	007736F	007737F	007738F	007738F	007739F
	Heat Exchange Tube Cupro Nickel	007740F	007741F	007742F	007743F	007744F	007744F	007745F
8-H	Stud Bolt Kit	007828F	007828F	007828F	007828F	007828F	007828F	007828F
	Stud Bolt Kit w/Pump Header	007829F	007829F	007829F	007829F	007829F	007829F	007829F
9-H	Header Gasket	007834F	007834F	007834F	007834F	007834F	007834F	007834F
7-H	Baffle Kit	007858F	007859F	007860F	007861F	007862F	007862F	007863F
10-H	Sensor Well	007211F	007211F	007211F	007211F	007211F	007211F	007211F
11-H	Well Retaining Clip	300203	300203	300203	300203	300203	300203	300203

APPROVED

CALL OUT	DESCRIPTION	992	1262	1532	1802	2002	2072	2342
J	CONTROL BOX (Point to Point Wiring) (1999 to March 2000)							
1-J	Flue/Junction Box (Use 1-JJ)	N/A	N/A	N/A	N/A	N/A	N/A	N/A
2-J	Ignition Control	007374F	007374F	007374F	007374F	007374F	007374F	007374F
3-J	Transformer 100 VA	007494F	007494F	007494F	007494F	007494F	007494F	007494F
4-J	Relay SPST 24V	008090F	008090F	008090F	008090F	008090F	008090F	008090F
	Relay DPST 24V NO	007376F	007376F	007376F	007376F	007376F	007376F	007376F
	Relay SPST 24V NO	007377F	007377F	007377F	007377F	007377F	007377F	007377F
5-J	Time Delay Contactor	007378F	007378F	007378F	007378F	007378F	007378F	007378F
6-J	Automatic Shut Down Breaker Switch (30 Amp)	007380F	007380F	007380F	007380F	007380F	007380F	007380F
7-J	On/Off Switch	007379F	007379F	007379F	007379F	007379F	007379F	007379F
8-J	Momentary Switch	006541F	006541F	006541F	006541F	006541F	006541F	006541F
9-J	Lamp 28V	007381F	007381F	007381F	007381F	007381F	007381F	007381F
10-J	Terminal Block (3 Space)	007382F	007382F	007382F	007382F	007382F	007382F	007382F
	Terminal Block (4 Space)	007383F	007383F	007383F	007383F	007383F	007383F	007383F
	Terminal Block (6 Space)	007384F	007384F	007384F	007384F	007384F	007384F	007384F
	Terminal Block (7 Space)	007385F	007385F	007385F	007385F	007385F	007385F	007385F
	Terminal Block (12 Space)	007386F	007386F	007386F	007386F	007386F	007386F	007386F
	Terminal Block (16 Space)	007387F	007387F	007387F	007387F	007387F	007387F	007387F
11-J	Lamp / Switch Mtg Panel	007885F	007886F	007886F	007887F	007887F	007887F	007888F
JJ	CONTROL BOX (Central Point Wiring) (March 2000 to 2005)							
1-JJ	Flue/Junction Box	007854F	007855F	007856F	007857F	007877F	007877F	007878F
	CONTROL BOX CPW (Pool)				009073F	009074F	009074F	009075F
2-JJ	Ignition Control	007374F	007374F	007374F	007374F	007374F	007374F	007374F
3-JJ	Printed Circuit Board CPW	007901F	007902F	007903F	007903F	007904F	007904F	007904F
13-JJ	Relay SPDT (K1, K4) (Not Shown)	009688F	009688F	009688F	009688F	009688F	009688F	009688F
	Relay 3PDT (K2) (Not Shown)	010027F	N/A	010027F	010027F	N/A	N/A	N/A
	Relay DPDT (K3) (Not Shown)	009688F	009688F	009688F	009688F	009688F	009688F	009688F
4-JJ	Printed Circuit Board U2	007147F	007147F	007147F	007147F	007147F	007147F	007147F
5-JJ	Printed Circuit Board Status Lights	007896F	007896F	007896F	007896F	007896F	007896F	007896F
6-JJ	Transformer 100 VA	007494F	007494F	007494F	007494F	007494F	007494F	007494F
7-JJ	Time Delay Contactor	008921F	008921F	008921F	008921F	008921F	008921F	008921F
8-JJ	Automatic Shut Down Breaker Switch (30 Amp)	007380F	007380F	007380F	007380F	007380F	007380F	007380F
9-JJ	On/Off Switch	006872F	006872F	006872F	006872F	006872F	006872F	006872F
10-JJ	Momentary Switch	005641F	005641F	005641F	005641F	005641F	005641F	005641F
11-JJ	Terminal Block (3 Space)	007382F	007382F	007382F	007382F	007382F	007382F	007382F
12-JJ	Switch Mtg Panel	007892F	007893F	007893F	007894F	007894F	007894F	007895F
M	MISCELLANEOUS							
1-M	Flow Switch Paddle	004079F	004079F	004079F	004079F	004079F	004079F	004079F
2-M	PRV 30 PSI	007748F	007748F	007748F	007748F	008088F	008088F	008088F
	PRV 45 PSI	007221F	007751F	007751F	007752F	007752F	007752F	007752F
	PRV 60 PSI	007222F	007753F	007754F	007754F	007754F	007754F	008288F
	PRV 75 PSI	007223F	007756F	007756F	007756F	007757F	007757F	007757F
	PRV 125 PSI	007224F	007224F	007224F	007758F	007759F	007759F	007759F
	PRV 150 PSI	007225F	007225F	007225F	007225F	007225F	007225F	007225F
3-M	Delimiting Kit	052870F	052870F	052870F	052870F	052870F	052870F	052870F
4-M	T & P Gauge 0-90 PSI	007205F	007205F	007205F	007205F	007205F	007205F	007205F
	T & P Gauge 0-200 PSI	007399F	007399F	007399F	007399F	007399F	007399F	007399F
5-M	Integral Pump 4.7 Impeller **	004845F	004845F	004845F	004845F	004845F	004845F	004845F
6-M	RTV Sealant 2.8 oz	008924F	008924F	008924F	008924F	008924F	008924F	008924F
	RTV Sealant 10 oz	005755F	005755F	005755F	005755F	005755F	005755F	005755F
7-M	Window Combustion Chamber	006947F	006947F	006947F	006947F	006947F	006947F	006947F
8-M	Flame Sensor	006535F	006535F	006535F	006535F	006535F	006535F	006535F
9-M	Ignitor	007400F	007400F	007400F	007400F	007400F	007400F	007400F
10-M	Fiberfrax Insulation 1" Wide	008406F	008406F	008406F	008405F	008405F	008405F	008405F
11-M	Sealant Tape (Gray) Specify Length (Not Shown)	800351	800351	800351	800351	800351	800351	800351
12-M	Touch-Up Paint (Green)	750125	750125	750125	750125	750125	750125	750125
	Touch-Up Paint (Dark Gray)	750126	750126	750126	750126	750126	750126	750126
13-M	Gas Valve Solenoid Wire Harness	015933F	N/A	N/A	N/A	N/A	N/A	N/A
14-M	Gas Valve Wire Harness CPW	015875F	015875F	015875F	015875F	015875F	015875F	015875F
15-M	Flow Switch Wire Harness CPW	015935F	015935F	015935F	015935F	015935F	015935F	015935F
16-M	Panel Switch Wire Harness CPW	015936F	015936F	015936F	015936F	015936F	015936F	015936F
17-M	Air Pressure Switch Wire Harness CPW	015541F	015541F	015541F	015541F	015541F	015541F	015541F
18-M	Time Delay Wire Harness CPW	015754F	015754F	015754F	015754F	015754F	015754F	015754F
19-M	Blower Wire Harness for CPW	015756F	015756F	015756F	015756F	015756F	015756F	015756F
20-M	Economaster Wire Harness CPW	015757F	015757F	015757F	015757F	015757F	015757F	015757F
21-M	Safety Board Interface Wire Harness CPW	015873F	015873F	015873F	015873F	015873F	015873F	015873F
22-M	Ignition Module Wire Harness CPW	015874F	015874F	015874F	015874F	015874F	015874F	015874F
23-M	Stage Selection Wire Harness	015894F	015894F	015894F	015894F	015894F	015894F	015894F
24-M	Stage Jumper Wire Harness CPW	015895F	015895F	015895F	015895F	015895F	015895F	015895F
O	OPTIONS							
1-O	Remote Sensor for Low Water Cut-Off	007228F	007228F	007228F	007228F	007228F	007228F	007228F
2-O	Low Water Cut Off PC Board	007157F	007157F	007157F	007157F	007157F	007157F	007157F
R	REFRACTORY							
1-R	Refractory Kit (All Panels)	007760F	007761F	007762F	007763F	007764F	007764F	007765F
2-R	Refractory Front Panel (2 Panels)	007766F	007767F	007768F*	007769F	007770F	007770F	007771F

* IT IS ALSO RECOMMENDED TO REPLACE ITEM 2-B, BURNER MOUNTING ASSEMBLY, FOR UNITS MANUFACTURED THROUGH 2-1-00.

** For individual pump parts see separate pump parts IPL 9300.100

UNCONTROLLED DOCUMENT IF PRINTED

APPROVED

CALL OUT	DESCRIPTION	992	1262	1532	1802	2002	2072	2342
S	SHEETMETAL							
1-S	Jacket Top	007772F	007773F	007774F	007775F	007776F	007776F	007777F
2-S	Jacket Top w/ Air Intake	007778F	007779F	007780F	007781F	007782F	007782F	007783F
3-S	Upfront Control Panel (5 Indicator Lights)	007784F	007785F	007785F	007786F	007786F	007786F	007787F
	Upfront Control Panel (10 Indicator Lights)	007788F	N/A	N/A	N/A	N/A	N/A	N/A
	Upfront Control Panel (11 Indicator Lights)	N/A	007789F	007789F	007868F	N/A	N/A	N/A
	Upfront Control Panel (12 Indicator Lights)	N/A	N/A	N/A	N/A	007790F	007790F	007791F
	Upfront Control Panel w/ Window (5 Indicator Lights)	007792F	007793F	007793F	007794F	007794F	007794F	007795F
	Upfront Control Panel w/ Window (10 Indicator Lights)	007796F	N/A	N/A	N/A	N/A	N/A	N/A
	Upfront Control Panel w/ Window (11 Indicator Lights)	N/A	007797F	007797F	007869F	N/A	N/A	N/A
	Upfront Control Panel w/ Window (12 Indicator Lights)	N/A	N/A	N/A	N/A	007798F	007798F	007799F
4-S	Upper Control Access Jacket Panel	007800F	007801F	007802F	007803F	007804F	007804F	007805F
5-S	Upper Control Access Jacket Panel w/ Air Intake	007806F	007807F	007808F	007809F	007810F	007810F	007811F
6-S	Lower Front Jacket Panel	007812F	007813F	007814F	007815F	007816F	007816F	007817F
7-S	Lower Rear Jacket Panel	007818F	007819F	007820F	007821F	007822F	007822F	007823F
8-S	Upper Side Jacket Panel	007824F	007824F	007824F	007824F	007824F	007824F	007824F
9-S	Rear Exhaust Cover Panel	007835F	007836F	007836F	007837F	007837F	007837F	007838F
10-S	Lower Corner Supports	007825F	007825F	007825F	007825F	007825F	007825F	007825F
11-S	Center Support Panel (Consult Factory)	N/A	N/A	N/A	N/A	N/A	N/A	N/A
12-S	Left & Right Heat Exchanger Support (Consult Factory)	N/A	N/A	N/A	N/A	N/A	N/A	N/A
13-S	Intake Air Distribution Box	007839F	007839F	007839F	007840F	007841F	007841F	007842F
14-S	Blower Intake Box	007843F	007843F	007843F	007843F	007844F	007844F	007844F
15-S	Support Horizontal	007845F	007846F	007847F	007848F	007849F	007849F	007850F
16-S	Support Vertical	007851F	007851F	007851F	007851F	007851F	007851F	007851F
17-S	Gas Access Panel	007853F	007853F	007853F	007853F	007853F	007853F	007853F
18-S	Flue Collector Top	007871F	007872F	007873F	007874F	007875F	007875F	007876F
19-S	Access Panel	007826F	007826F	007826F	007826F	007826F	007826F	007826F
20-S	Access Panel w/Pump	007827F	007827F	007827F	007827F	007827F	007827F	007827F
21-S	Cover for Return Header Mounted Pump	002671F	002671F	002671F	002671F	002671F	002671F	002671F
22-S	J Box Sheetmetal	007830F	007831F	007831F	007832F	007832F	007832F	007833F
23-S	Flue Sleeve	008728F	008729F	008729F	008730F	008730F	008730F	008731F
24-S	Combustion Chamber Rear Panel	010772F	010773F	010774F	010775F	010776F	010776F	010777F
V	VENTING							
1-V	Outdoor Stack	014552F	014553F	014553F	014649F	014649F	014649F	015447F
2-V	Intake Air Filter Box	007101	007101	007101	007102	007102	007102	007102
3-V	Filter	008403F	008403F	008403F	008404F	008404F	008404F	008404F
4-V	Intake Air Collar Assy	015560F	015560F	015560F	015561F	015561F	015561F	015561F
CONVERSION KITS								
2 Stage Manifold to Split Manifold								
	Natural	008154F	N/A	N/A	N/A	N/A	N/A	N/A
	Propane	008153F	N/A	N/A	N/A	N/A	N/A	N/A

APPROVED



Raypak, Inc. 2151 Eastman Avenue, Oxnard, CA 93030 (805) 278-5300 www.raypak.com

Litho in U.S.A

UNCONTROLLED DOCUMENT IF PRINTED