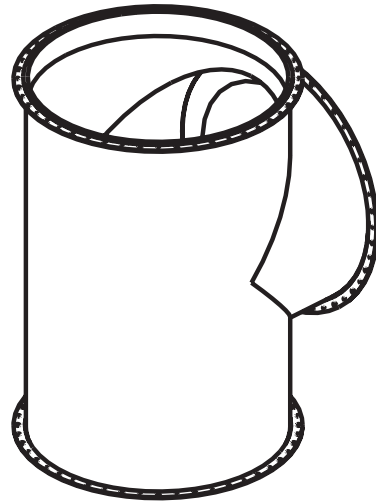


INSTALLATION INSTRUCTIONS

Flue Exhaust Tee



**For Hi Delta
Models 302B-2342B**



FOR YOUR SAFETY: Do not store or use gasoline or other flammable vapors and liquids or other combustible materials in the vicinity of this or any other appliance. To do so may result in an explosion or fire.

WHAT TO DO IF YOU SMELL GAS:

- Do not try to light any appliance.
- Do not touch any electrical switch; do not use any phone in your building.
- Immediately call your gas supplier from a neighbor's phone. Follow the gas supplier's instructions.
- If you cannot reach your gas supplier, call the fire department.

Installation and service must be performed by a qualified installer, service agency or the gas supplier.

Raypak[®]
A Rheem[®] Company

AVAILABLE KITS

Model	Vent Diameter	Order Number
302B	5"	011838
402B-502B	6"	011839
652B, 752B, 902B	8"	011840
992B	10"	011841
1262B, 1532B	12"	011842
1802B, 2002B, 2072B	14"	011843
2342B	16"	011844

Kit Contents

Each kit includes:

- Flue exhaust tee (A)
- Flue exhaust adapter (B)
- Flue exhaust tee seal gaskets, 2 ea. (C)
- Flue exhaust tee cap (D)
- Rear flue exhaust cover panel (E)
- Flue exhaust adapter seal gasket (F)
- Flue exhaust cover panel (G)
- Fasteners (screws), 42-66, depending upon kit.
- Silicone sealant, 10 oz.

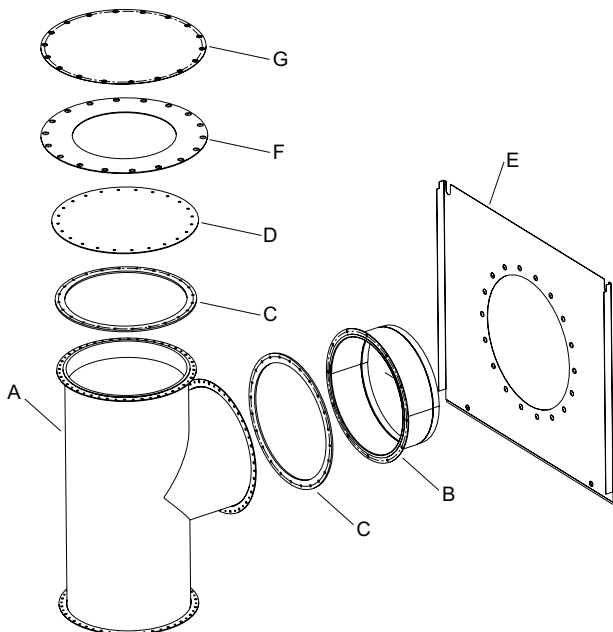


Fig. 1: Kit Breakdown

INSTALLATION

Recommended Tools

- No. 2 Phillips screwdriver
- $\frac{5}{16}$ nut driver or ratchet with flexible extension
- Crescent wrench

Removing the Flue Exhaust Straight Pipe

1. Ensure gas and electricity are shut off.
2. Ensure heater is cold before you attempt this installation.
3. Remove the flue exhaust gasket retainer and adapter seal gasket (F) from the jacket top panel (see Fig. 2).
4. Remove the jacket top panel by loosening and removing the screws holding it in place. (see Fig. 2).

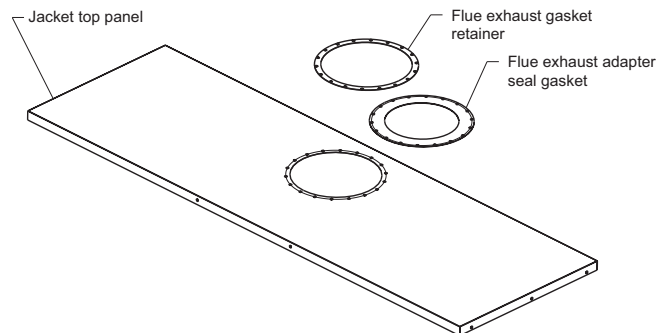
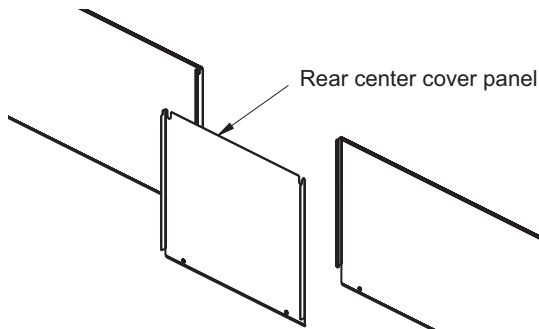


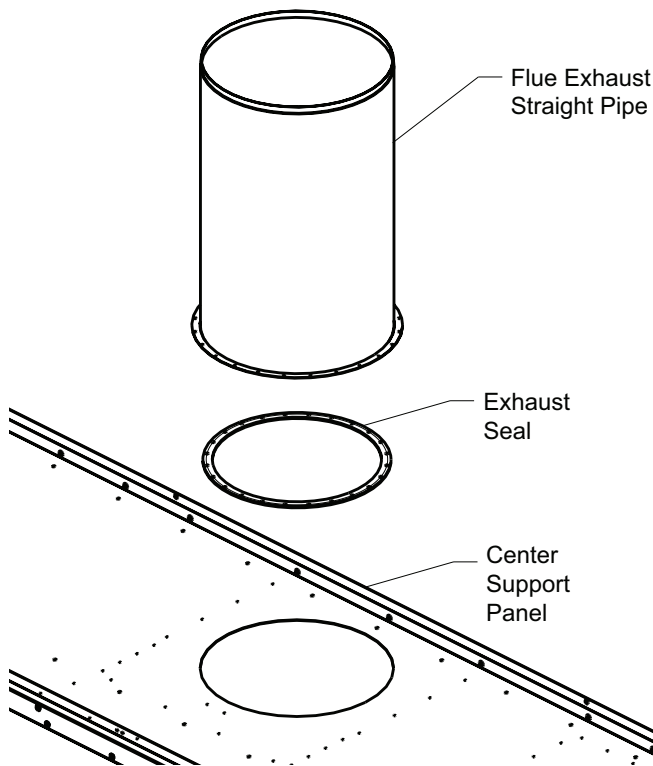
Fig. 2: Retainer, Gasket and Jacket Top Panel

5. Remove the rear center cover panel (see Fig. 3). This panel will not be used after installation of these kit components.
6. Remove the exhaust pressure tap and tube from the base of the flue exhaust straight pipe.
7. Loosen and remove the fasteners holding the base of the flue exhaust straight pipe to the center support panel. Retain the fasteners for re-use (see Fig. 4).
8. Remove the flue exhaust straight pipe leaving the existing flue exhaust gasket in place for re-use (see Fig. 4).



Inside view of rear panels shown. Other components omitted for clarity.

Fig. 3: Rear Center Cover Panel



Controls and flue exhaust support assembly omitted for clarity

Fig. 4: Removing the Flue Exhaust Straight Pipe

Installing the Flue Exhaust Tee

1. Position the exhaust tee on top of the gasket so that the fastener holes align to ensure a proper seal (see Fig. 5).
2. Insert and tighten all stainless steel fasteners in the base of the tee to secure it to the center support panel. The fasteners directly below the horizontal exhaust opening will require a flexible

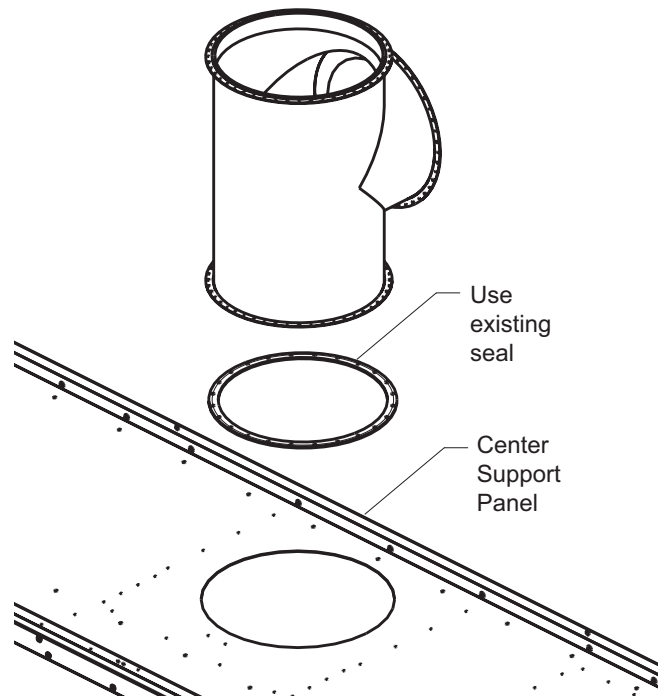


Fig. 5: Installing the Flue Exhaust Tee

extension to install. (silicone sealant may be necessary to ensure a proper seal).

3. Attach the exhaust pressure tap and tube to the lower right side of the tee. Ensure that the vent switch tubing is properly attached to the exhaust pressure tap.
4. Secure the flue exhaust tee cap (D) and seal gasket (C) to the top of the tee using the stainless steel hex head fasteners provided.
5. Attach the flue exhaust adapter (B) and seal gasket (C) to the horizontal exhaust pipe opening of the tee using the stainless steel hex head fasteners provided.
6. Install the rear flue exhaust cover panel (E) where the rear center cover panel was located (see Fig. 3 and 6).
7. Install the flue exhaust gasket retainer and the flue exhaust adapter seal gasket (F) (removed in step 3 of the previous section) on the rear flue exhaust cover panel (see Fig. 6).
8. Install vent piping appropriate for the installation, including appropriate vent termination.

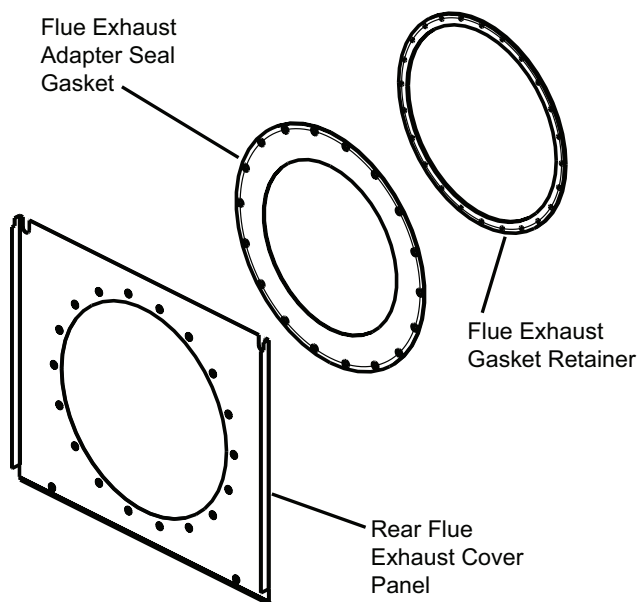


Fig. 6: Rear Flue Exhaust Cover Panel

9. Reinstall the jacket top panel with the flue exhaust cover panel (G) and adapter seal gasket (F) in place over the vertical exhaust opening.
10. The heater is now ready for operation. Please refer to the Hi Delta Installation and Operating Instructions for information related to start-up.



www.raypak.com

Raypak, Inc., 2151 Eastman Avenue, Oxnard, CA 93030 (805) 278-5300 Fax (805) 278-5468