

COMMERCIAL
MODELS: XFYRE 300 THROUGH 850

P/N: 241370 Rev. 11
Effective: 02-14-21
Replaces: 10-05-18

RAYPAK ILLUSTRATED PARTS LIST

MODEL SIZES: 300, 400, 500, 700 & 850

MODEL TYPES: MODULATING CONDENSING BOILER H & WH CAT IV

DATES OF MANUFACTURE: MODELS 300, 500 & 850 - 09-01-09 THROUGH 07-15-12

MODELS 400 & 700 - 12-01-10 THROUGH 07-15-12

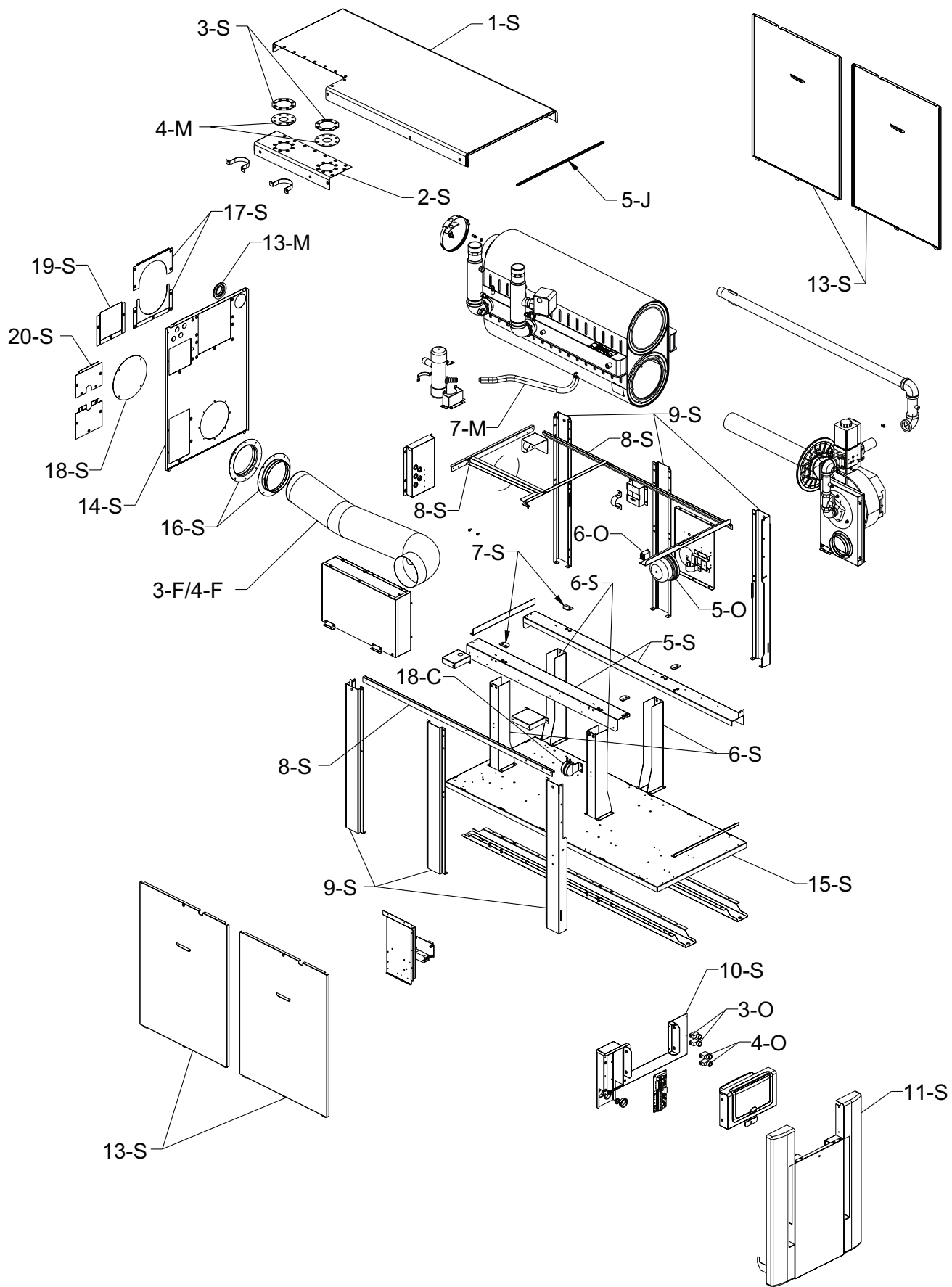
THE PARTS LISTED ARE FOR STANDARD EQUIPMENT FOR THIS MODEL TYPE. RAYPAK RESERVES THE RIGHT TO SUBSTITUTE, DELETE OR CHANGE ANY PART WITHOUT NOTIFICATION. THE ADDITION OF OPTIONS MAY ALSO CHANGE SOME OF THE PARTS. ORDER REPLACEMENT PARTS FROM ACTUAL HEATER COMPONENTS.

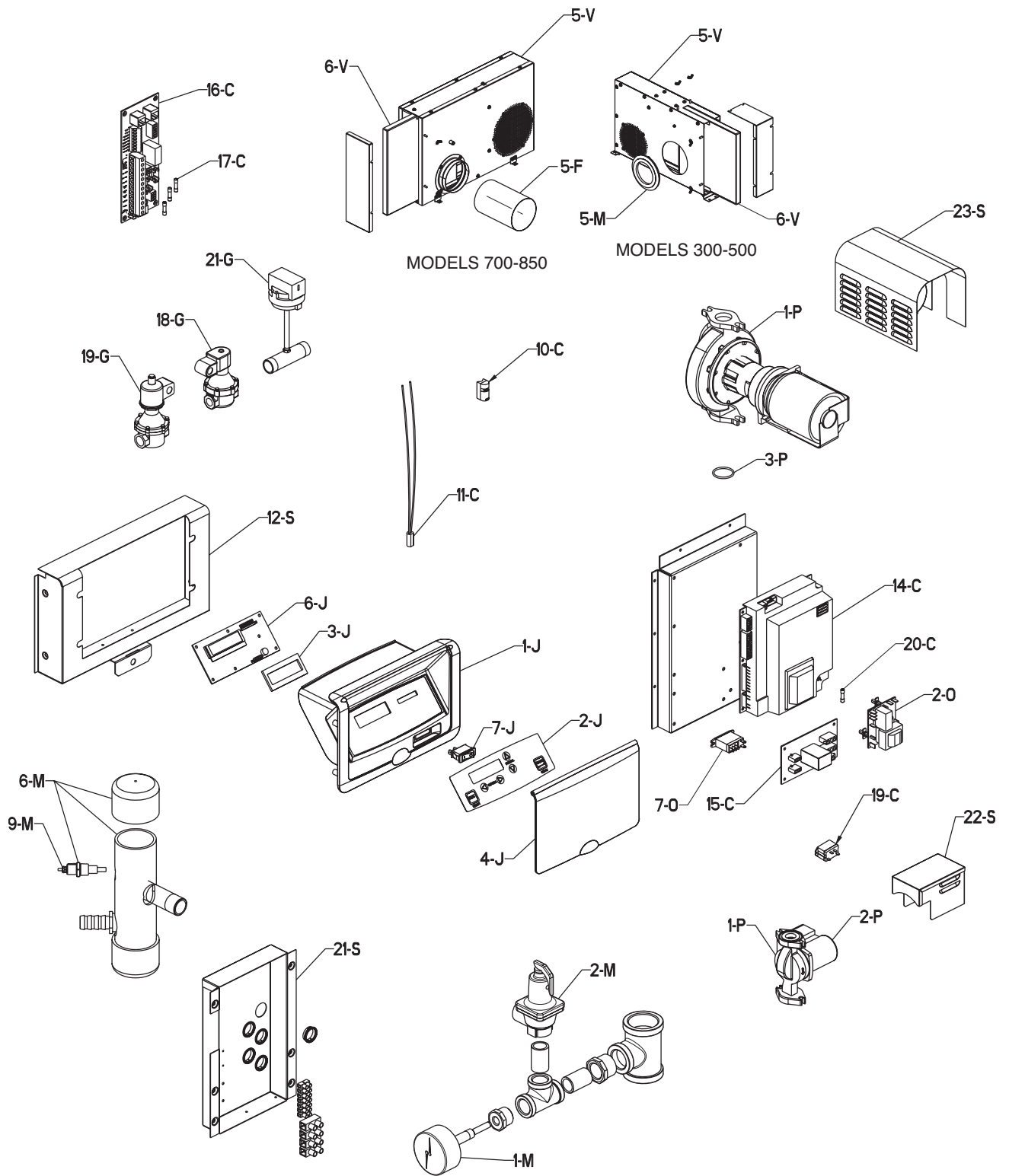


FOR DETAILED INSTRUCTIONS, SEE "HOW TO USE YOUR RAYPAK ILLUSTRATED PARTS LIST",
CATALOG NO. 9001.10

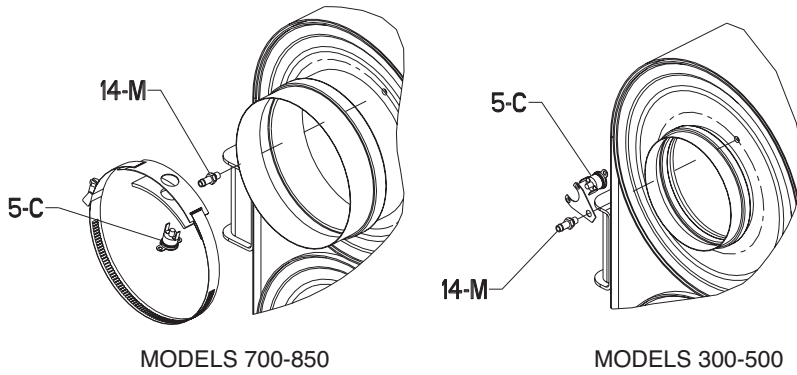
Raypak[®]
A Rheem[®] Company

Raypak, Inc., 2151 Eastman Avenue, Oxnard, CA 93030
(805) 278-5300 FAX (805) 278-5489
Litho In U.S.A.

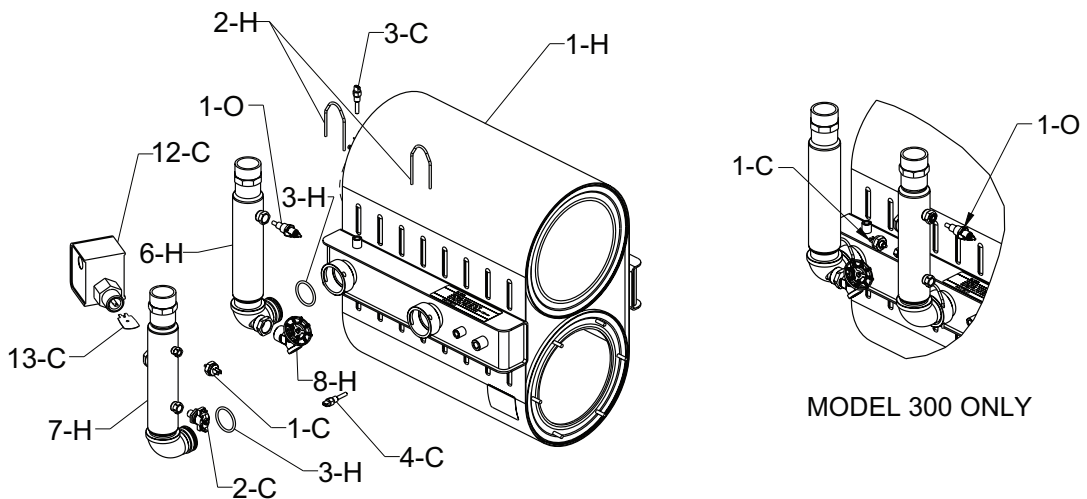
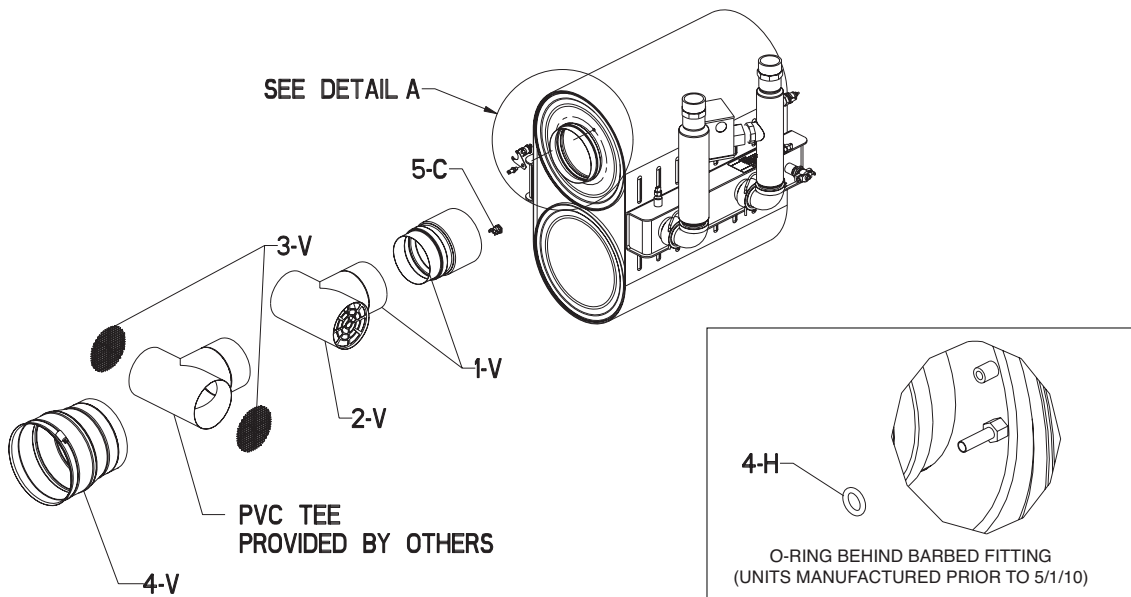




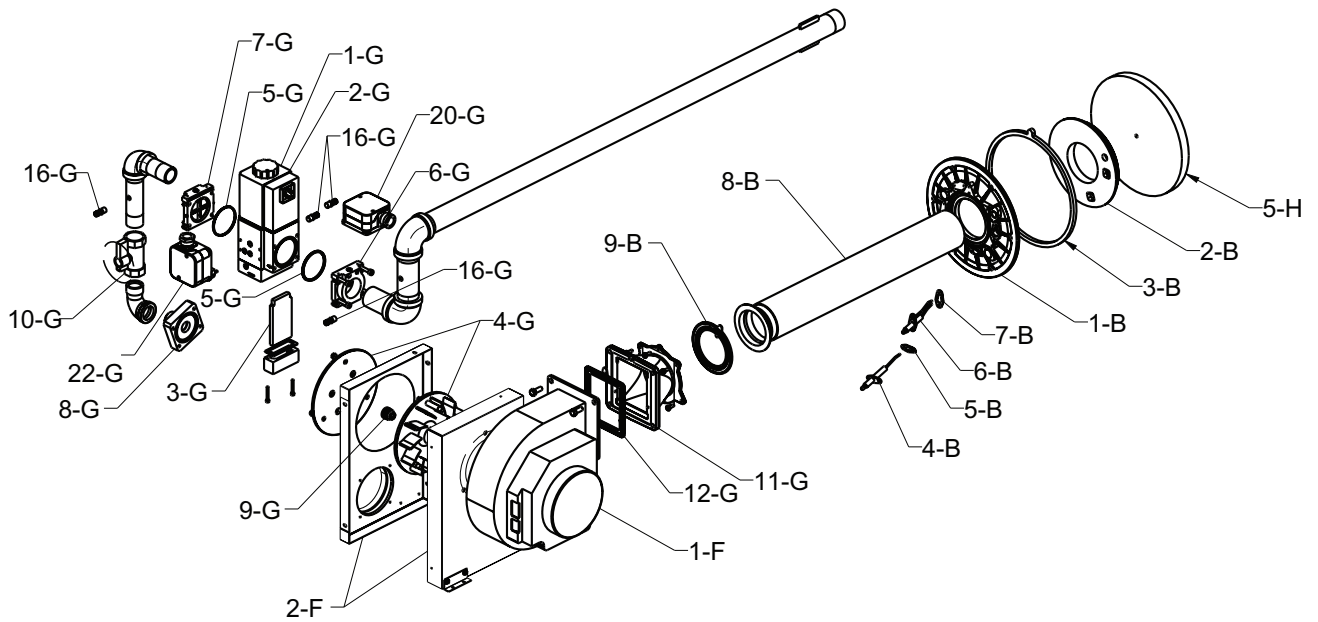
HEAT TRANSFER DETAIL



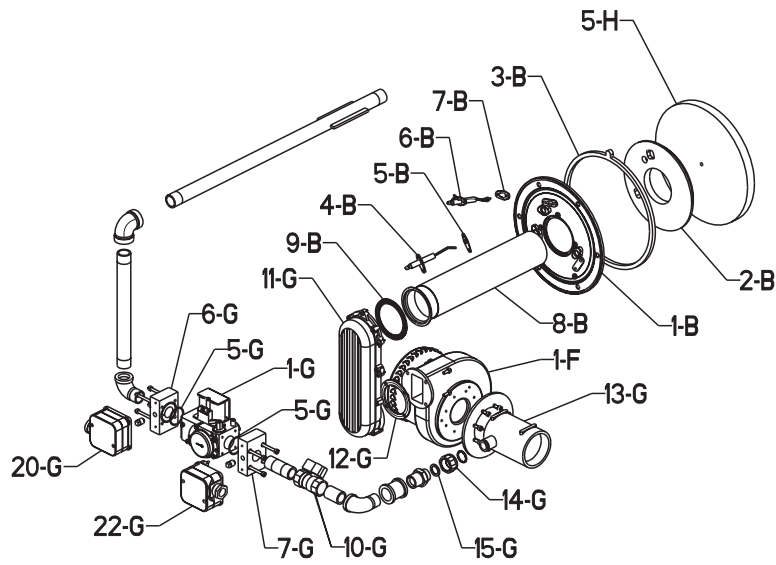
DETAIL A BARBED FITTING/LIMIT



GAS TRAIN & BURNER DETAIL



MODELS 700-850



MODELS 300-500

CALL OUT	DESCRIPTION	300	400	500	700	850
B	BURNER ASSEMBLY					
1-B	Burner Door (Includes 2-B, 3-B & 9-B) Units manufactured prior to 7/1/11 Units manufactured from 7/1/11	013158F 013158F	013158F 013158F	013158F 013158F	013159F 013159F	013966F 013159F
2-B	Refractory Burner Door	N/A	N/A	N/A	N/A	N/A
3-B	Door Seal Gaskets	013162F	013162F	013162F	013174F	013174F
4-B	Flame Sensor Probe	013163F	013163F	013163F	013164F	013164F
5-B	Flame Sensor Gasket	013168F	013168F	013168F	013168F	013168F
6-B	Igniter	013166F	013166F	013166F	013167F	013167F
7-B	Igniter Gasket	013168F	013168F	013168F	013168F	013168F
8-B	Burner Units manufactured prior to 7/1/11 Units manufactured from 7/1/11	013169F 013169F	013169F 013169F	013169F 013169F	013445F 013445F	013966F 013445F
9-B	Burner Seal Gasket Units manufactured prior to 7/1/11 Units manufactured from 7/1/11	013171F 013171F	013171F 013171F	013171F 013171F	013172F 013172F	N/A 013172F
C	CONTROLS					
1-C	Auto Reset Fixed High Limit 210F Auto Reset Fixed High Limit 200F	013474F 013474F	013474F 013474F	013474F 013474F	013474F 013474F	013474F 013474F
2-C	Manual Reset Fixed High Limit 200F Manual Reset Fixed High Limit 175F	008093F 600952B	008093F 600952B	008093F 600952B	008093F 600952B	008093F 600952B
3-C	Return Sensor	013175F	013175F	013175F	013175F	013175F
4-C	Supply Sensor	013175F	013175F	013175F	013175F	013175F
5-C	Vent Limit Switch Manual Reset for PVC Venting Units manufactured prior to 5/1/10 (Not shown) Units manufactured from 5/1/10	013177F 013428F	N/A 013428F	013177F 013428F	N/A 013429F	013177F 013429F
	Vent Limit Switch Manual Reset for Polypropylene Venting	014043F	014043F	014043F	014043F	014043F
10-C	Sensor Outdoor Air B-32	013112	013112	013112	013112	013112
11-C	Sensor Water 10K	010787F	010787F	010787F	010787F	010787F
12-C	Flow Switch	007142F	007142F	007142F	007142F	007142F
13-C	Flow Switch Paddle (Taco)	010026F	010026F	010026F	010026F	010026F
14-C	SIT Integrated Controller (926) SIT Integrated Controller CSD-1 (926)	013181F 013184F	013446F 013448F	013182F 013185F	013447F 013449F	013183F 013186F
20-C	Fuse 6.3A	013427F	013427F	013427F	013427F	013427F
15-C	Gas Valve Relay PC Board	N/A	N/A	N/A	013187F	013187F
16-C	Field Connection PC Board	013188F	013188F	013188F	013188F	013188F
17-C	Fuse 3.15A	013189F	013189F	013189F	013189F	013189F
18-C	Blocked Vent Pressure Switch	011862F	011862F	011862F	011862F	011862F
19-C	Pump Relay 120Vac	008977F	008977F	008977F	008977F	008977F
J	CONTROLS (Up Front)					
1-J	Control Bezel	013191F	013191F	013191F	013191F	013191F
3-J	Gasket LCD Window Gasket	013193F	013193F	013193F	013193F	013193F
2-J	Switch/Decal Membrane	013192F	013192F	013192F	013192F	013192F
4-J	Control Bezel Cover	009487F	009487F	009487F	009487F	009487F
5-J	Gasket Insulation	013190F	013190F	013190F	013190F	013190F
6-J	LCD Display PC Board	013194F	013194F	013194F	013194F	013194F
7-J	On/Off Switch	009493F	009493F	009493F	009493F	009493F
F	FAN					
1-F	Blower Combustion Air	013195F	013195F	013195F	013196F	013196F
2-F	Plenum Assembly	N/A	N/A	N/A	013197F	013197F
3-F	Hose Duct 4" (TruSeal)	007417F	007417F	007417F	007417F	007417F
4-F	Hose Duct 6" (TruSeal)	N/A	N/A	N/A	007418F	007418F
5-F	Hose Duct 4" (Plastic)	N/A	N/A	N/A	013424F	013424F

CALL OUT	DESCRIPTION	300	400	500	700	850
G	GAS TRAIN					
1-G	Valve Gas Modulating (Dungs)	013199F	013199F	013199F	013200F	013200F
2-G	Valve Coil 120V	N/A	N/A	N/A	013201F	013201F
3-G	Inlet Gas Filter	N/A	N/A	N/A	012294F	012294F
4-G	Swirler	N/A	N/A	N/A	013202F	013202F
5-G	O Rings (Includes Gas Valve and Adapter O Rings)	N/A	N/A	N/A	012440F	012440F
6-G	Adapter Gas Valve 3/4" Inlet (Includes O Rings)	013204F	013204F	013204F	N/A	N/A
	Adapter Gas Valve 1-1/4" Inlet	N/A	N/A	N/A	011916F	011916F
7-G	Adapter Gas Valve 3/4"Outlet (Includes O Ring)	013204F	013204F	013204F	N/A	N/A
	Adapter Gas Valve 1" Outlet Flow Control	N/A	N/A	N/A	013206F	013206F
8-G	Adapter Swirl Plate	N/A	N/A	N/A	012298F	012298F
9-G	Nozzle Natural Gas	N/A	N/A	N/A	012303F	012303F
	Nozzle Propane Gas	N/A	N/A	N/A	012308F	012308F
10-G	Valve Gas Ball (WOG)	N/A	013208F	013208F	013209F	013209F
11-G	Air/Gas Plenum					
	Units manufactured prior to 7/1/11 (Includes 1-B)	N/A	N/A	N/A	N/A	013966F
	Units manufactured prior to 7/1/11	013210F	013210F	013210F	013211F	N/A
	Units manufactured from 7/1/11	013210F	013210F	013210F	013211F	013211F
12-G	Gasket Plenum Seal	013212F	013212F	013212F	013213F	013213F
13-G	Air/Gas Venturi	013214F	013215F	013215F	N/A	N/A
14-G	Venturi Connector Adapter	013216F	013216F	013216F	N/A	N/A
15-G	Adapter Seal Gasket	013217F	013217F	013217F	N/A	N/A
17-G	Motorized Safety Shut Off Actuator M-1(Optional) (Not Shown)	011908F	011908F	011908F	011908F	011908F
23-G	Gas Valve Body M1 (Optional) (Not Shown)	014014F	014014F	014014F	014015F	014015F
18-G	Solenoid Safety Shut Off Valve M-10 (Optional)	012125F	011909F	011909F	011909F	011909F
19-G	Vent Valve Gas M-15 (Optional)	011913F	011913F	011913F	011913F	011913F
20-G	Switch Low Gas Pressure (Optional)	011770F	011770F	011770F	011770F	011770F
21-G	Switch Low Gas Pressure w/M-1 or M-10 (Optional)	007187F	007187F	007187F	007187F	007187F
22-G	Switch High Gas Pressure (Optional)	011771F	011771F	011771F	011771F	011771F
H	HEAT TRANSFER					
1-H	Heat Engine	013218F	013450F	013219F	013451F	013220F
2-H	Water Connection Retainer Clip	013221F	013222F	013222F	013222F	013222F
3-H	Header O-Ring (2 PCS)	013223F	013224F	013224F	013224F	013224F
4-H	Blocked Vent O-Ring	013225F	N/A	013225F	N/A	013225F
5-H	Rear Refractory Target Wall	013226F	013226F	013226F	013226F	013226F
6-H	Plumbing Assy Inlet	013227F	013228F	013228F	013228F	013228F
7-H	Plumbing Assy Outlet	013229F	013230F	013230F	013230F	013230F
8-H	Drain Valve	013475F	013475F	013475F	013475F	013475F
M	MISCELLANEOUS COMPONENTS					
1-M	T & P Gauge 0-90 PSI	007205F	007205F	007205F	007205F	007205F
	T & P Gauge 0-200 PSI	007399F	007399F	007399F	007399F	007399F
	T & P Gauge 0-230 PSI	014221F	014221F	014221F	014221F	014221F
2-M	PRV 30 PSI	007470F	007217F	007217F	007218F	007218F
	PRV 45 PSI	007220F	007220F	007220F	007346F	007346F
	PRV 60 PSI	007222F	007222F	007222F	007222F	007222F
	PRV 75 PSI	007223F	007223F	007223F	007223F	007223F
	PRV 125 PSI	007224F	007224F	007224F	007224F	007224F
	PRV 150 PSI	007225F	007225F	007225F	007225F	007225F
3-M	RTV Sealant 2.8 oz (Not Shown)	008924F	008924F	008924F	008924F	008924F
	RTV Sealant 10 oz (Not Shown)	005755F	005755F	005755F	005755F	005755F
4-M	Water Connection Seal Gasket	013232F	013233F	013233F	013233F	013233F
5-M	Intake Air Seal Grommet	013234F	013235F	013235F	N/A	N/A
6-M	Condensate Trap	013236F	013236F	013236F	013236F	013236F
7-M	Condensate Hose	013237F	013237F	013237F	013237F	013237F
8-M	Condensate Management (Not Shown)	012664	012664	012664	012664	012664
9-M	Condensate Overflow Probe	013238F	013238F	013238F	013238F	013238F
10-M	Touch-up Paint					
	Green	750125	750125	750125	750125	750125
	Dark Gray	750126	750126	750126	750126	750126
	Cool Dark Gray	750256	750256	750256	750256	750256
11-M	Wire Harness Cabinet (Not Shown)	013239F	013239F	013239F	013231F	013231F
12-M	Spark Cable High Tension Harness (Not Shown)	013240F	013240F	013240F	013241F	013241F
15-M	Wire Harness Optional LWCO (Not Shown)	014173F	014173F	014173F	014173F	014173F
13-M	Gas Manifold Grommet	010778F	010778F	010778F	010779F	010779F
14-M	Barbed Sample Connector	013433F	013433F	013433F	013433F	013433F

CALL OUT	DESCRIPTION	300	400	500	700	850
O	OPTIONS					
1-O	Remote Sensor (LWCO)	013238F	013238F	013238F	013238F	013238F
2-O	Control PC Board (LWCO)	007157F	007157F	007157F	007157F	007157F
3-O	Test / Reset Switch (LWCO)	005641F	005641F	005641F	005641F	005641F
7-O	Alarm Relay (LWCO)	009039F	009039F	009039F	009039F	009039F
8-O	Transformer 120/24V 50VA (LWCO) (Not Shown)	006533F	006533F	006533F	006533F	006533F
4-O	Silencer/Reset Switch (Alarm)	005641F	005641F	005641F	005641F	005641F
5-O	Alarm Bell 120V 3"	N/A	N/A	N/A	N/A	N/A
	Alarm Bell 120V 4"	013242F	013242F	013242F	013242F	013242F
6-O	Alarm Relay 120V DPDT	013243F	013243F	013243F	013243F	013243F
P	PUMPS					
1-P	Pump Inline BR Soft	008746	008746	016477F	007347F	007347F
	Pump Inline BR Medium	007226F	007347F	007347F	007350F	007350F
	Pump Inline CIBF Soft	008745	008745	016478F	007353F	007353F
2-P	Pump Cartridge 0012	016480F	016480F	N/A	N/A	N/A
3-P	Pump Flange Gasket 0012	008747F	008747F	N/A	N/A	N/A
	Pump Flange Gasket 1611	008749F	008749F	008749F	008749F	008749F
S	SHEETMETAL					
1-S	Jacket Top	013244F	013452F	013245F	013453F	013246F
2-S	Inlet/Outlet Cover Panel	013247F	013454F	013248F	013455	013249F
3-S	Water Connection Gasket Retainer	013250F	013251F	013251F	013251F	013251F
5-S	Heat Engine Supports Horizontal	013252F	013456F	013253F	013457F	013254F
6-S	Heat Engine Supports Vertical	013255F	013255F	013255F	013256F	013256F
7-S	Heat Engine Retainer Brackets	013257F	013257F	013257F	013257F	013257F
8-S	Upper Cabinet Supports	013258F	013458F	013259F	013459F	013260F
9-S	Vertical Cabinet Supports	013261F	013261F	013261F	013262F	013262F
10-S	Upper Front Cabinet Support	013263F	013263F	013263F	013263F	013263F
11-S	Door Assy	013264F	013264F	013264F	013264F	013264F
12-S	Control Bezel Mtg Panel w/LCD Display	013265F	013265F	013265F	013265F	013265F
13-S	Jacket Side Panel	013266F	013460F	013267F	013461F	013268F
14-S	Jacket Rear Panel	013270F	013270F	013270F	013271F	013271F
15-S	Base Assembly	013272F	013462F	013273F	013463F	013274F
16-S	Intake Air Flange (Truseal)	013275F	013275F	013275F	013276F	013276F
17-S	Access Panel Flue Exhaust	013277F	013277F	013277F	013278F	013278F
18-S	Access Panel Intake Air	013279F	013279F	013279F	013279F	013279F
19-S	Access Panel Wiring Box	013280F	013280F	013280F	013280F	013280F
20-S	Access Panel Condensate Drain	013281F	013281F	013281F	013281F	013281F
21-S	Rear Wiring Box	013282F	013282F	013282F	013282F	013282F
22-S	Pump Cover (Taco 0012)	012986F	012986F	N/A	N/A	N/A
23-S	Pump Cover (Taco 1600 Series)	012987F	012987F	012987F	012987F	012987F
V	VENTING					
1-V	Outdoor Vent Termination Tee (Stainless Steel)	013108	013108	013108	013109	013109
2-V	Vent Tee Horizontal or Vertical Venting for Indoor Units (Stainless Steel)	013108	013108	013108	013111	013111
3-V	Vent Termination Screen For Plastic Vent Tee	013283F	013283F	013283F	013284F	013284F
4-V	Flue Exhaust Adapter for PVC Venting	N/A	N/A	N/A	013285F	013285F
	Flue Exhaust Adapter for Polypropylene Venting	013929	013929	013929	013930	013930
	Flue Exhaust Adapter for Stainless Steel Venting	013286F	013286F	013286F	N/A	N/A
5-V	Intake Air filter Box	013287F	013288F	013288F	013289F	013289F
6-V	Air Filter Media	013290F	013290F	013290F	012553F	012553F

