

**COMMERCIAL
CHX (CONDENSING HEAT EXCHANGER)**

CATALOG NO. 9300.73
Effective: 11-30-12
Replaces: 09-05-07

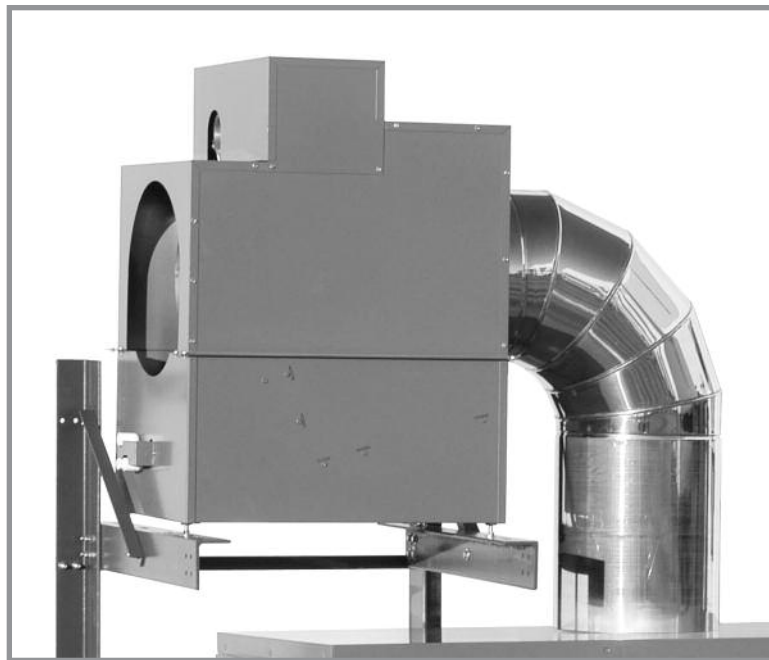
RAYPAK ILLUSTRATED PARTS LIST

MODEL SIZES: 500, 750, 1000, 1500

MODEL TYPE: CHX

DATE OF MANUFACTURE: 2004 THRU 10-15-12

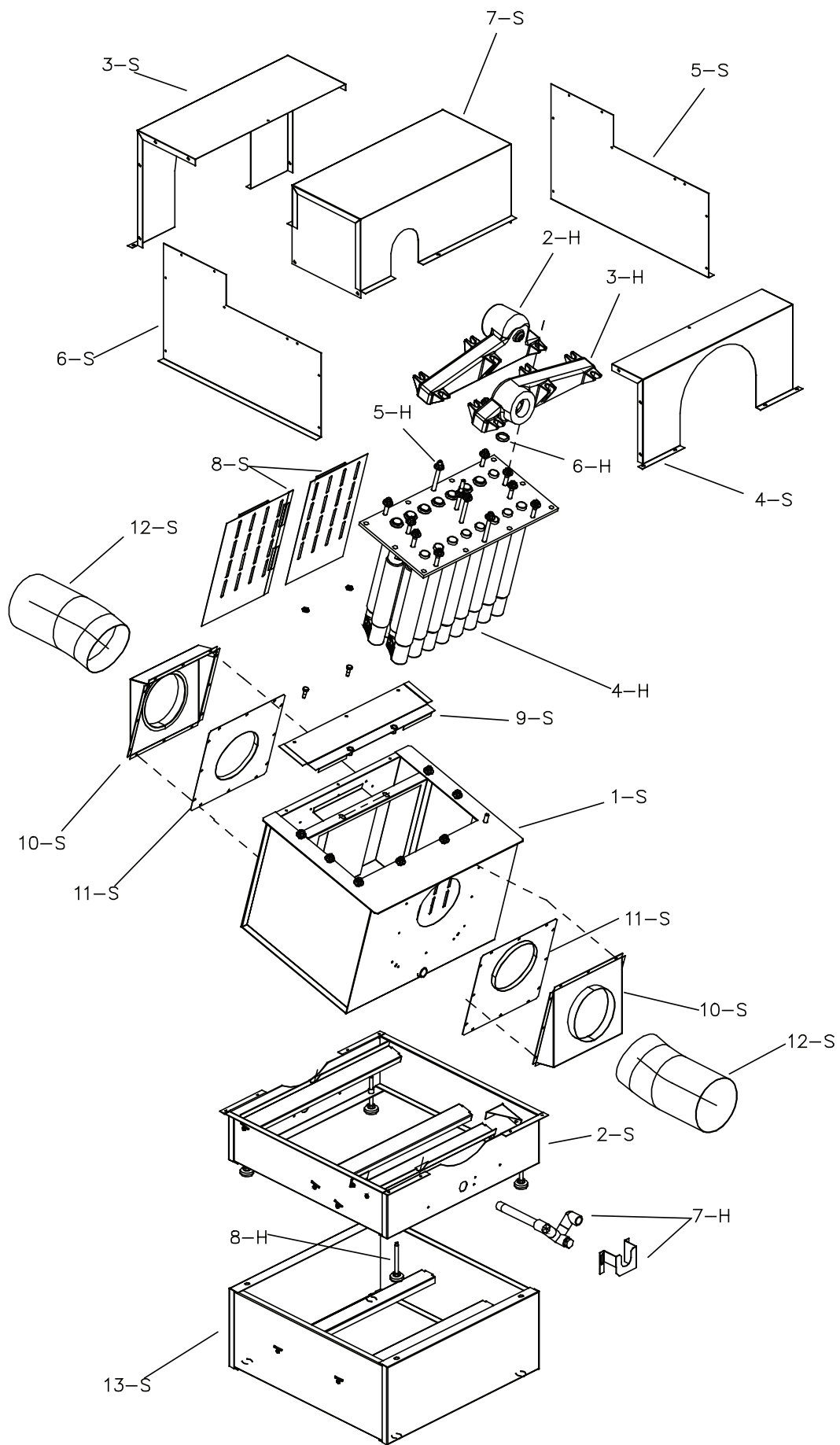
THE PARTS LISTED ARE FOR STANDARD EQUIPMENT FOR THIS MODEL TYPE. RAYPAK RESERVES THE RIGHT TO SUBSTITUTE, DELETE OR CHANGE ANY PART WITHOUT NOTIFICATION. THE ADDITION OF OPTIONS MAY ALSO CHANGE SOME OF THE PARTS. ORDER REPLACEMENT PARTS FROM ACTUAL HEATER COMPONENTS.



FOR DETAILED INSTRUCTIONS, SEE "HOW TO USE YOUR RAYPAK ILLUSTRATED PARTS LIST",
CATALOG NO. 9001.10



Raypak, Inc., 2151 Eastman Avenue, Oxnard, CA 93030
(805) 278-5300 Fax (800) 872-9725
Litho In U.S.A.



CALL OUT	DESCRIPTION	500-6	500-8	750-8	1000-10	1000-12	1500-12	1500-14
H	HEAT EXCHANGER							
1-H	Heat Exchange Assy. Bronze	007618F	007618F	007619F	007620F	007620F	007941F	007941F
2-H	Inlet Header Bronze	007621F	007621F	007621F	007622F	007622F	007622F	007622F
3-H	Outlet Header Bronze	007623F	007623F	007623F	007624F	007624F	007624F	007624F
4-H	Tube Bundle Cupro-Nickle	007625F	007625F	007626F	007627F	007627F	007942F	007942F
5-H	Studbolt	007628F	007628F	007628F	007628F	007628F	007628F	007628F
6-H	Header Gasket Kit	007343F	007343F	007343F	007343F	007343F	007343F	007343F
7-H	Condensing Drain w/Support Bracket	007629F	007629F	007629F	009553F	009553F	009901F	009901F
S	SHEET METAL							
1-S	Internal Chamber	009583F	009583F	009584F	009585F	009585F	009586F	009586F
2-S	Base Assy	009587F	009587F	009587F	009588F	009588F	009588F	009588F
3-S	Cover Panel Front	009589F	009589F	009590F	009591F	009591F	009592F	009592F
4-S	Cover Panel Rear	009593F	009593F	009594F	009595F	009595F	009596F	009596F
5-S	Cover Panel Left Side	007642F	007642F	007643F	007644F	007644F	007946F	007946F
6-S	Cover Panel Right Side	007645F	007645F	007646F	007647F	007647F	007947F	007947F
7-S	Header Top Cover	007648F	007648F	007648F	007648F	007648F	007648F	007648F
8-S	Intake Baffles	009542F	009542F	009543F	009544F	009544F	009545F	009545F
9-S	Access Panel	009546F	009546F	009546F	009546F	009546F	009546F	009546F
10-S	Vent Adapter-15 Degree Intake & Exhaust	009547F	009548F	009549F	009550F	009551F	009551F	009552F
11-S	Vent Adapter-Straight Intake & Exhaust	009826F	N/A	009827F	*	N/A	009830F	N/A
12-S	Vent Elbow-15 Degree	010816F	N/A	010817F	**	N/A	010820F	N/A
13-S	Base Extension	N/A	N/A	N/A	N/A	N/A	N/A	N/A

* FOR ADB MODEL 1000, USE 009828F (9" Outlet / 10" Outlet)
FOR ADB MODELS 1000A AND 1001, USE 009829F (10" Inlet / 10" Outlet)

** FOR ADB MODEL 1000, USE 010818F (9" Outlet / 10" Outlet)
FOR ADB MODELS 1000A AND 1001, USE 010819F (10" Inlet / 10" Outlet)



Registered Quality Management System

www.raypak.com