

APPROVED

RAYPAK ILLUSTRATED PARTS LIST

THE PARTS LISTED ARE FOR STANDARD EQUIPMENT FOR THIS MODEL TYPE. RAYPAK RESERVES THE RIGHT TO SUBSTITUTE, DELETE OR CHANGE ANY PART WITHOUT NOTIFICATION. THE ADDITION OF OPTIONS MAY ALSO CHANGE SOME OF THE PARTS. ORDER REPLACEMENT PARTS FROM ACTUAL HEATER COMPONENTS.

MODEL SIZES: 302, 402, 502, 652, 752 & 902

MODEL TYPE: HI DELTA H, W, WH

DATES OF MANUFACTURE: 12-01-98 THROUGH 2-28-05



FOR DETAILED INSTRUCTIONS, SEE "HOW TO USE YOUR RAYPAK ILLUSTRATED PARTS LIST", CATALOG NO. 9001.10

Raypak[®]
A Rheem[®] Company

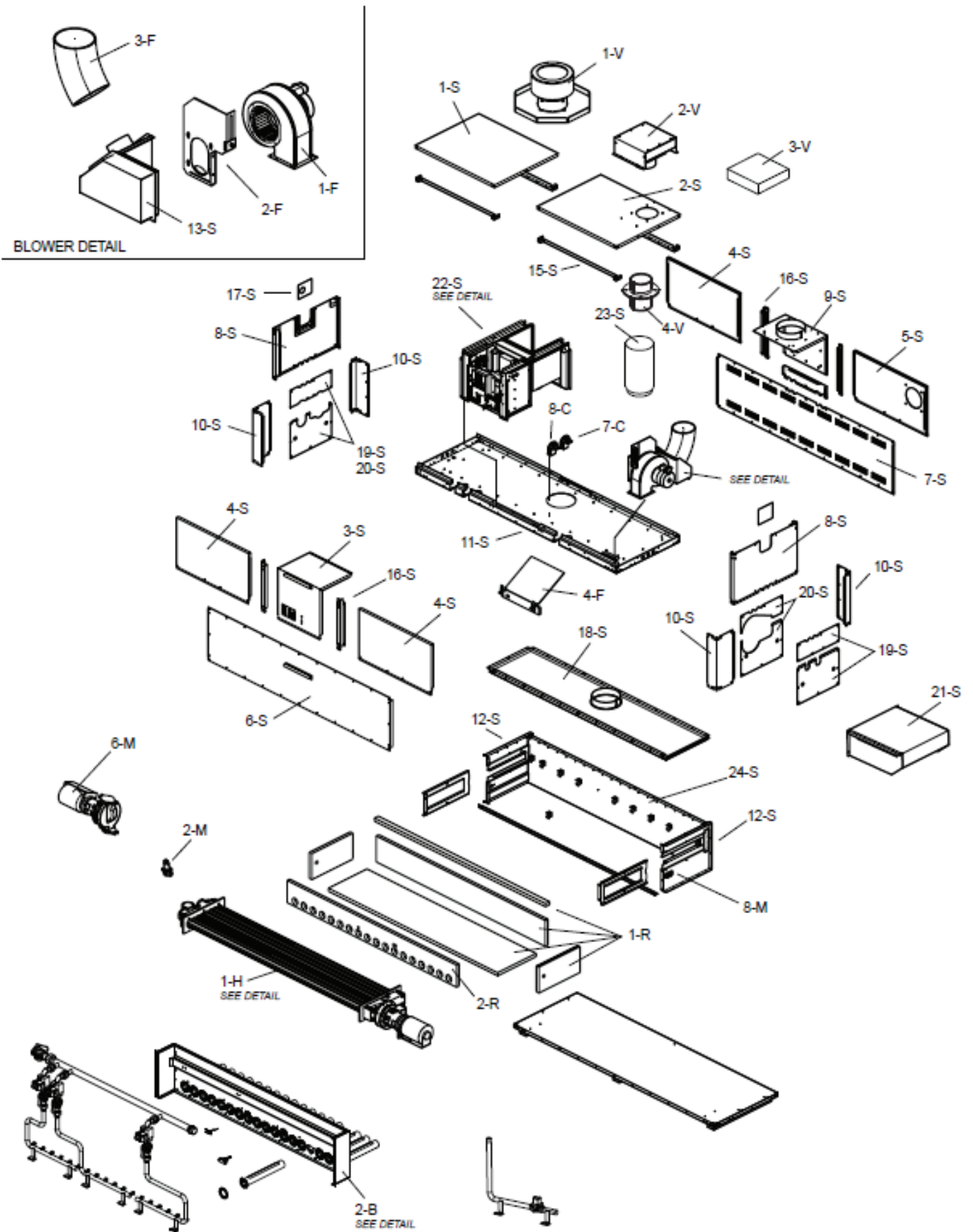
Effective: 02-11-22

Replaces: 9300.75

P/N: 242026 Rev. 1

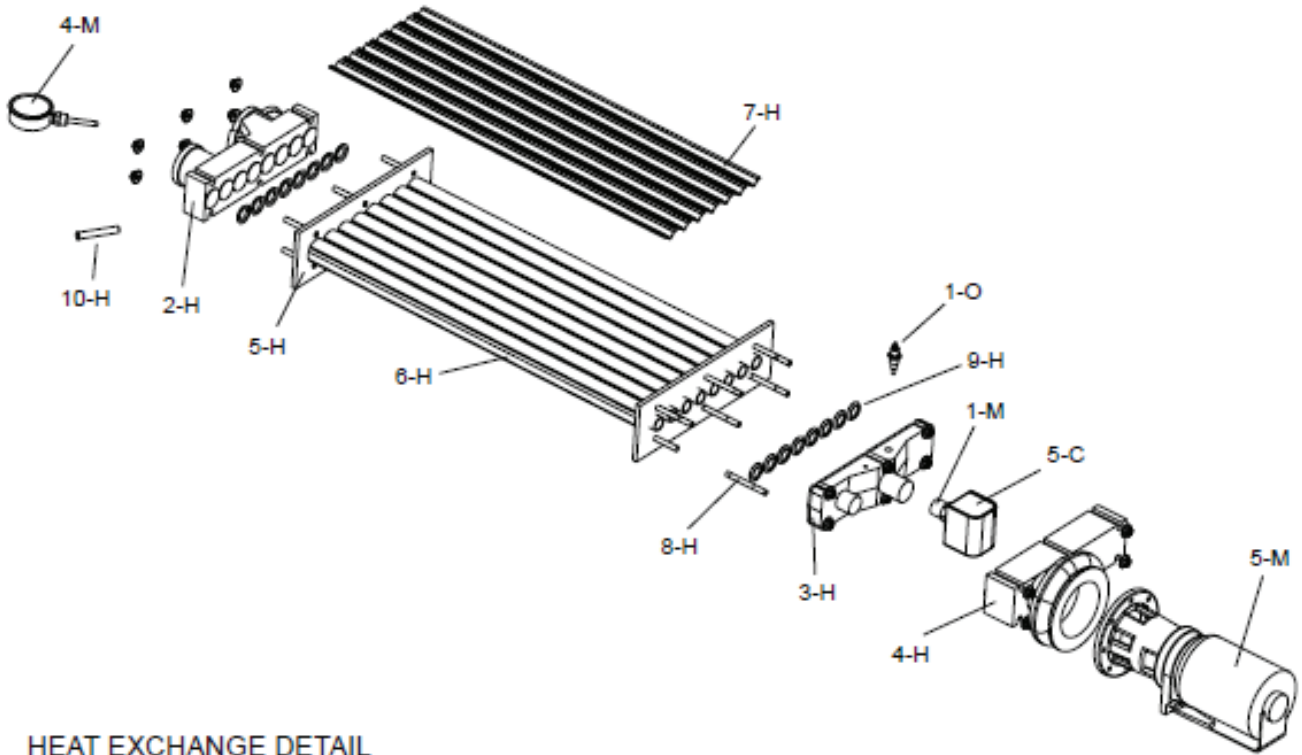
UNCONTROLLED DOCUMENT IF PRINTED

APPROVED

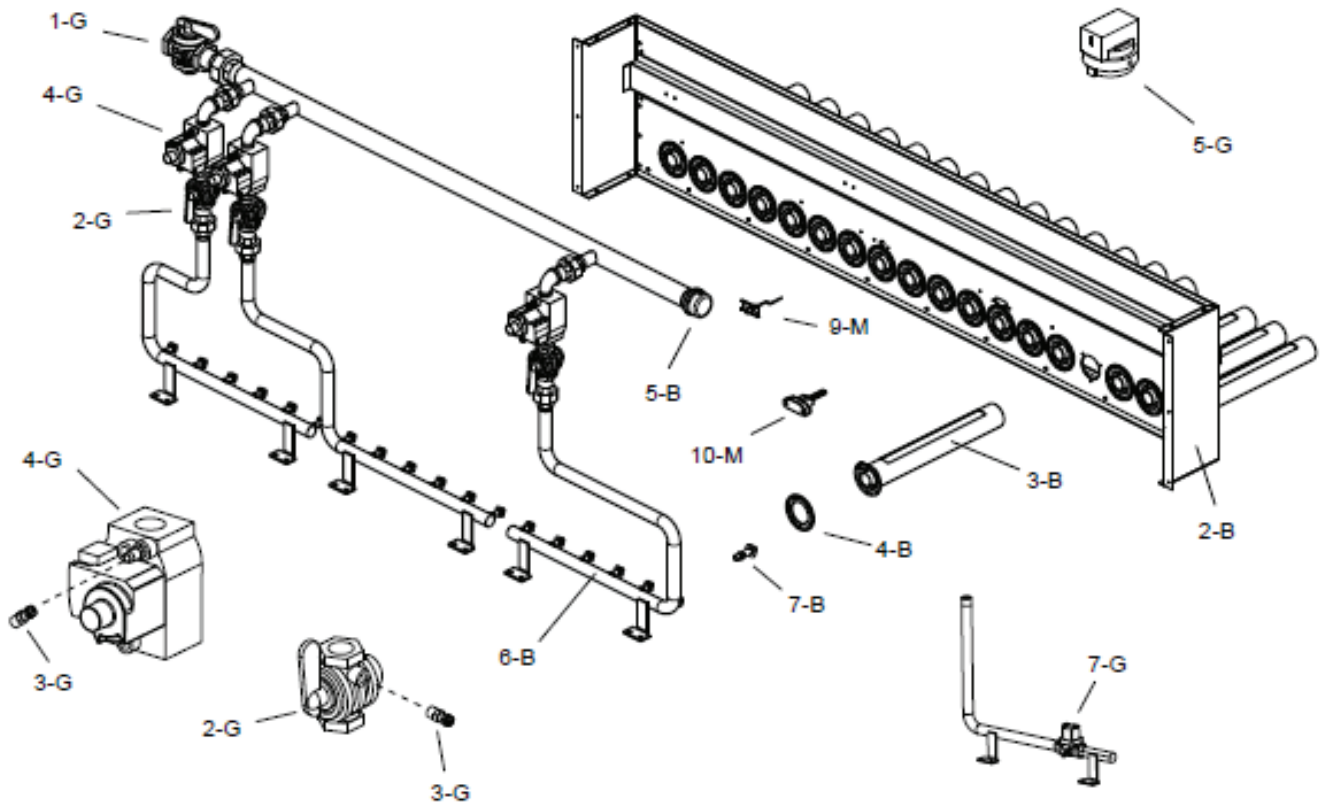


UNCONTROLLED DOCUMENT IF PRINTED

APPROVED



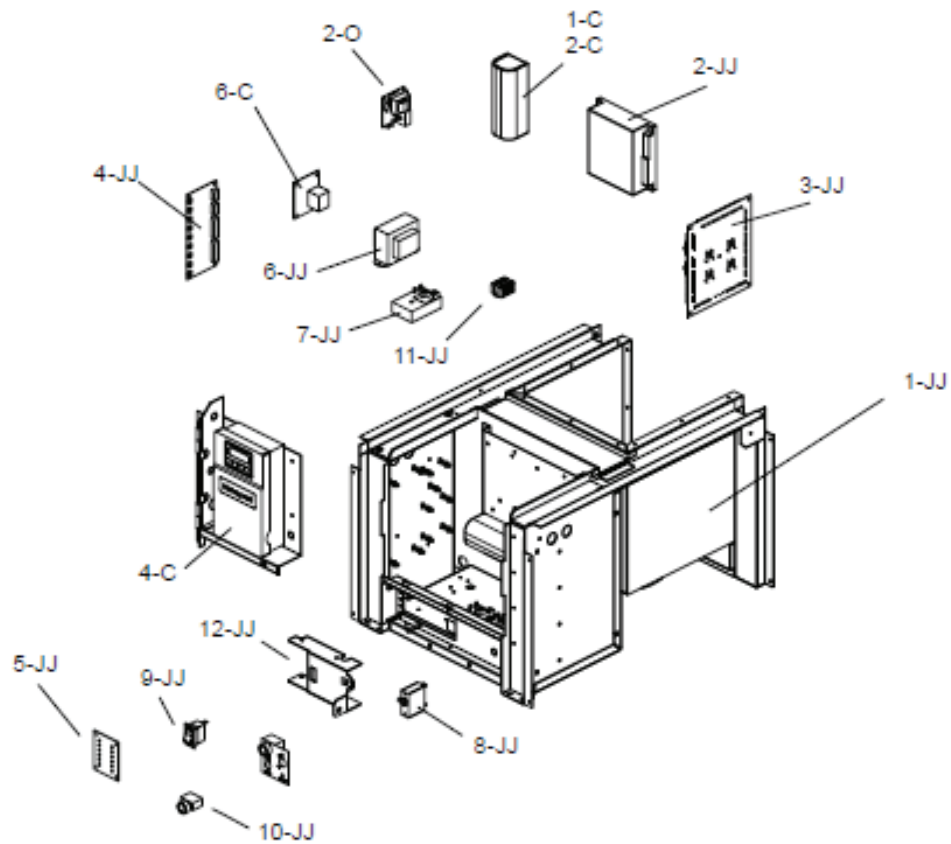
HEAT EXCHANGE DETAIL



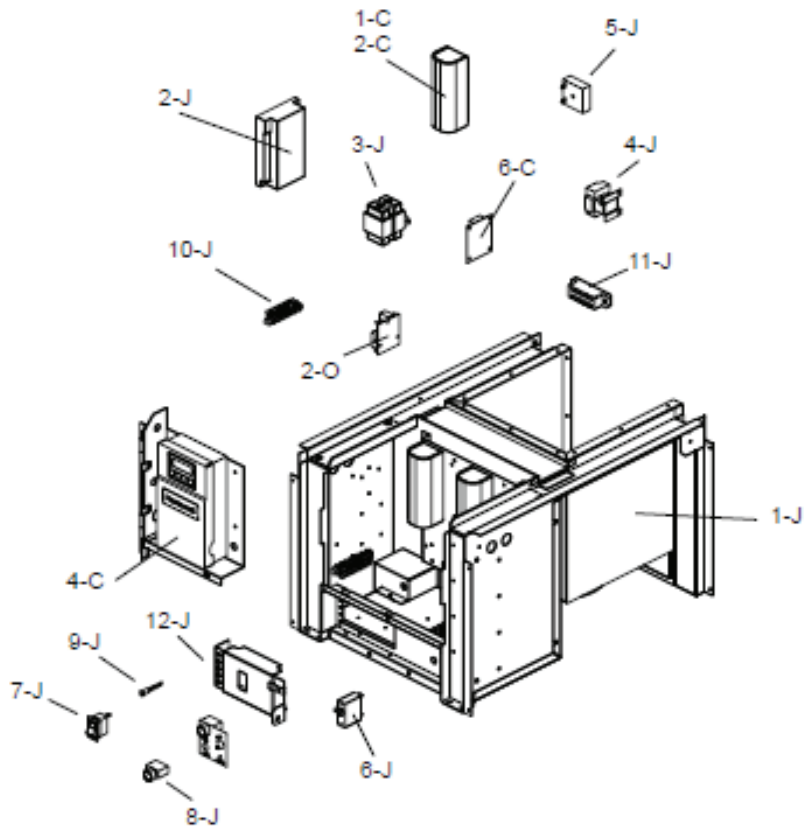
BURNER ASSEMBLY DETAIL

UNCONTROLLED DOCUMENT IF PRINTED

APPROVED



CENTRAL POINT WIRING (CPW) (MARCH 2000 TO 2005)



POINT TO POINT WIRING (1998 TO MARCH 2000)

UNCONTROLLED DOCUMENT IF PRINTED

APPROVED

CALL OUT	DESCRIPTION	302	402	502	652	752	902
B	BURNER ASSEMBLY						
1-B	Burner Assy w/Burners	007430F	007431F	007432F	007433F	007434F	007435F
2-B	Burner Mounting Assy	007436F	007437F	007438F	007439F	007440F	007441F
3-B	Burner	007442F	007442F	007442F	007442F	007442F	007442F
4-B	Seal Gasket	007443F	007443F	007443F	007443F	007443F	007443F
5-B	Manifold Upper	N/A	N/A	007444F	007444F	007444F	007445F
6-B	Manifold Lower	007446F	007447F	007448F	007449F	007450F	007451F
7-B	Burner Orifice Nat.#47	351414 / 6	351414 / 8	351414 / 10	351414 / 13	351414 / 15	351414 / 18
	Burner Orifice Pro.#57	351442 / 6	351442 / 8	351442 / 10	351442 / 13	351442 / 15	351442 / 18
C	CONTROLS						
1-C	Manual Hi Limit 240	007144F	007144F	007144F	007144F	007144F	007144F
	Manual Hi Limit 200 Degree Max WH	008081F	008081F	008081F	008081F	008081F	008081F
2-C	Adj. Auto Hi Limit 240	007141F	007141F	007141F	007141F	007141F	007141F
	Adj. Auto Hi Limit 180 Degree Max WH	006445F	006445F	006445F	006445F	006445F	006445F
3-C	Remote Aquastat (Tankstat) (B-2)	007148F	007148F	007148F	007148F	007148F	007148F
	Remote Aquastat (Tankstat) 2-Stage (B-3)	007392F	007392F	007392F	007392F	007392F	007392F
	Controller 2-Stage (B-4) Outdoor Reset	N/A	N/A	N/A	N/A	N/A	N/A
	Controller 2-Stage (B-6)	007392F	007392F	007392F	007392F	007392F	007392F
	Controller 2-Stage (B-8)	007394F	007394F	007394F	007394F	007394F	007394F
	Remote Aquastat (Tankstat) 2-Stage (B-9)	006760F	006760F	006760F	006760F	006760F	006760F
4-C	Controller 2-Stage (B-11 / B-12) Digital	007395F	007395F	007395F	007395F	007395F	007395F
	Controller on/off (B-20) Digital	006445F	006445F	006445F	006445F	006445F	006445F
5-C	Flow Switch	007142F	007142F	007142F	007142F	007142F	007142F
6-C	Economaster II Control	004675F	004675F	004675F	004675F	004675F	004675F
7-C	Switch Air Pressure N.C.	007158F	007158F	007158F	007158F	007158F	007158F
8-C	Switch Air Pressure N.O.	008171F	008171F	008171F	008171F	008171F	008171F
F	Fan						
1-F	Blower Combustion Air	007414F	007414F	007414F	007414F	007414F	007414F
2-F	Air Shutter Assembly	007416F	007416F	007416F	007416F	007416F	007416F
3-F	Hose Duct 4"	007417F	007417F	007417F	N/A	N/A	N/A
	Hose Duct 6"	N/A	N/A	N/A	007418F	007418F	007418F
4-F	Damper	008851F	008851F	008851F	008851F	008851F	008851F
G	GAS VALVES						
1-G	Main Valve Gas Manual A 3/4"	007421F	007421F	N/A	N/A	N/A	N/A
	Main Valve Gas Manual A 1-1/4"	N/A	N/A	007190F	007190F	007190F	007190F
2-G	Valve Gas Manual A 3/4"	007421F	007421F	007421F	007421F	007421F	007421F
3-G	Bleedle Valve 1/4"	007422F	007422F	007422F	007422F	007422F	007422F
	Bleedle Valve 1/8"	007423F	007423F	007423F	007423F	007423F	007423F
4-G	Combination Gas Valve On/Off Nat 3/4"	007424F	007424F	007424F	007424F	007424F	007424F
	Combination Gas Valve On/Off Pro 3/4"	007425F	007425F	007425F	007425F	007425F	007425F
5-G	Switch Low Gas Pressure (optional)	007187F	007187F	007187F	007187F	007187F	007187F
6-G	Switch High Gas Pressure (optional) Not Shown	007188F	007188F	007188F	007188F	007188F	007188F
7-G	Solenoid Gas Valve	008407F	008407F				
H	HEAT EXCHANGER						
1-H	Heat Exch Assy Cast Iron	007452F	007453F	007454F	007455F	007456F	007457F
	Heat Exch Assy Brass	007458F	007459F	007460F	007461F	007462F	007463F
	Heat Exch Assy Cast Iron w/Pump Hdr	N/A	N/A	007466F	007467F	007468F	007469F
	Heat Exch Assy Brass w/Pump Hdr	N/A	N/A	007472F	007473F	007474F	007475F
	Heat Exch Assy Cast Iron Cupro Nickel	007476F	007477F	007478F	007479F	007480F	007481F
	Heat Exch Assy Brass Cupro Nickel	007482F	007483F	007484F	007485F	007486F	007487F
	Heat Exch Assy Cast Iron w/Pump Hdr Cupro Nickel	N/A	N/A	007490F	007491F	007492F	007493F
	Heat Exch Assy Brass w/Pump Hdr Cupro Nickel	N/A	N/A	007496F	007497F	007498F	007499F
	Heat Exch Assy Brass w/Pump Hdr Cupro Nickel	N/A	N/A	009069F	009070F	009071F	009072F
2-H	Inlet/Outlet Header Cast Iron	007500F	007500F	007500F	007500F	007500F	007500F
	Inlet/Outlet Header Brass	007501F	007501F	007501F	007501F	007501F	007501F
3-H	Return Header Cast Iron	007502F	007502F	007502F	007502F	007502F	007502F
	Return Header Brass	007503F	007503F	007503F	007503F	007503F	007503F
4-H	Return Pump Header Cast Iron	N/A	N/A	007504F	007504F	007504F	007504F
	Return Pump Header Brass	N/A	N/A	007505F	007505F	007505F	007505F
5-H	Tube Bundle	007506F	007507F	007508F	007509F	007510F	007511F
	Tube Bundle Cupro Nickel	007512F	007513F	007514F	007515F	007516F	007517F
6-H	Heat Exchange Tube	007518F	007519F	007520F	007521F	007522F	007523F
	Heat Exchange Tube Cupro Nickel	007524F	007525F	007526F	007527F	007528F	007529F
8-H	Stud Bolt Kit	007536F	007536F	007536F	007536F	007536F	007536F
	Stud Bolt Kit w/Pump Header	N/A	N/A	007537F	007537F	007537F	007537F
9-H	Header Gasket	800001B	800001B	800001B	800001B	800001B	800001B
7-H	Baffle Kit	007530F	007531F	007532F	007533F	007534F	007535F
10-H	Sensor Well	007211F	007211F	007211F	007211F	007211F	007211F
11-H	Well Retaining Clip	300203	300203	300203	300203	300203	300203

APPROVED

CALL OUT	DESCRIPTION	302	402	502	652	752	902
J	CONTROL BOX (Point to Point Wiring) (1998 to March 2000)						
1-J	Flue/Junction Box (Use 1-JJ)	N/A	N/A	N/A	N/A	N/A	N/A
2-J	Ignition Control	007374F	007374F	007374F	007374F	007374F	007374F
3-J	Transformer	007494F	007494F	007494F	007494F	007494F	007494F
4-J	Relay SPST 24V	008090F	008090F	008090F	008090F	008090F	008090F
	Relay DPST 24V NO	N/A	N/A	007376F	007376F	007376F	007376F
	Relay SPST 24V NO	N/A	N/A	N/A	N/A	N/A	007377F
5-J	Time Delay Contactor	N/A	N/A	007378F	007378F	007378F	007378F
6-J	Automatic Shut Down Breaker Switch 30 AMP	007380F	007380F	007380F	007380F	007380F	007380F
7-J	On/Off Switch Rocker with Light	007379F	007379F	007379F	007379F	007379F	007379F
8-J	Momentary Switch	005641F	005641F	005641F	005641F	005641F	005641F
9-J	Lamp 28V	007381F	007381F	007381F	007381F	007381F	007381F
10-J	Terminal Block (3 Space)	007382F	007382F	007382F	007382F	007382F	007382F
	Terminal Block (4 Space)	007383F	007383F	007383F	007383F	007383F	007383F
	Terminal Block (6 Space)	007384F	007384F	007384F	007384F	007384F	007384F
	Terminal Block (7 Space)	007385F	007385F	007385F	007385F	007385F	007385F
11-J	Terminal Block (12 Space)	007386F	007386F	007386F	007386F	007386F	007386F
	Terminal Block (16 Space)	007387F	007387F	007387F	007387F	007387F	007387F
12-J	Lamp / Switch Mtg Panel	007396F	007397F	007397F	007398F	007398F	007398F
JJ	CONTROL BOX (Central Point Wiring) (March 2000 to 2005)						
1-JJ	Flue/Junction Box Staged	011902F	011903F	007370F	007371F	007371F	007372F
	Flue/Junction Box On/Off	007368F	007369F	N/A	N/A	N/A	N/A
2-JJ	Ignition Control	007374F	007374F	007374F	007374F	007374F	007374F
3-JJ	Printed Circuit Board CPW	007898F	007898F	007899F	007899F	007899F	007900F
13-JJ	Relay SPDT 24V (K1) (Not Shown)	009688F	009688F	009688F	009688F	009688F	009688F
	Relay DPDT 24V (K1,K2,K3) (Not Shown)	N/A	N/A	009688F	009688F	009688F	009688F
4-JJ	Printed Circuit Board U2	007147F	007147F	007147F	007147F	007147F	007147F
5-JJ	Printed Circuit Board Status Lights	007896F	007896F	007896F	007896F	007896F	007896F
6-JJ	Transformer 100 VA	007494F	007494F	007494F	007494F	007494F	007494F
7-JJ	Time Delay Contactor	007897F	007897F	007897F	007897F	007897F	007897F
8-JJ	Automatic Shut Down Breaker Switch 30 AMP	007380F	007380F	007380F	007380F	007380F	007380F
9-JJ	On/Off Switch	006872F	006872F	006872F	006872F	006872F	006872F
10-JJ	Momentary Switch	005641F	005641F	005641F	005641F	005641F	005641F
11-JJ	Terminal Block (3 Space)	007382F	007382F	007382F	007382F	007382F	007382F
12-JJ	Switch Mtg Panel	007889F	007890F	007890F	007891F	007891F	007891F
M	MISCELLANEOUS						
1-M	Flow Switch Paddle	004079F	004079F	004079F	004079F	004079F	004079F
2-M	PRV 30 PSI	007470F	007470F	007217F	007218F	007218F	007748F
	PRV 45 PSI	007220F	007220F	007220F	007346F	007221F	007221F
	PRV 60 PSI	007222F	007222F	007222F	007222F	007222F	007222F
	PRV 75 PSI	007223F	007223F	007223F	007223F	007223F	007223F
	PRV 125 PSI	007224F	007224F	007224F	007224F	007224F	007224F
	PRV 150 PSI	007225F	007225F	007225F	007225F	007225F	007225F
3-M	Deliming Kit	052870F	052870F	052870F	052870F	052870F	052870F
4-M	T & P Gauge 0-90 PSI	007205F	007205F	007205F	007205F	007205F	007205F
	T & P Gauge 0-200 PSI	007399F	007399F	007399F	007399F	007399F	007399F
5-M	Integral Pump 4-1/4 Impeller *	N/A	N/A	004844F	004844F	004844F	004844F
	Integral Pump 4.7 Impeller *	N/A	N/A	004845F	004845F	004845F	004845F
6-M	Pump Inline CIBF *	016478F	016478F	N/A	N/A	N/A	N/A
	Pump Inline BR *	016477F	016477F	N/A	N/A	N/A	N/A
7-M	RTV Sealant 10 oz	005755F	005755F	005755F	005755F	005755F	005755F
8-M	Window Combustion Chamber	006947F	006947F	006947F	006947F	006947F	006947F
9-M	Flame Sensor	006535F	006535F	006535F	006535F	006535F	006535F
10-M	Ignitor	007400F	007400F	007400F	007400F	007400F	007400F
11-M	Fiberfrax Strip Insulation 1" Wide	008406F	008406F	008406F	008405F	008405F	008405F
12-M	Pump Cartridge	016480F	016480F	N/A	N/A	N/A	N/A
13-M	Pump Gasket	008749F	008749F	N/A	N/A	N/A	N/A
14-M	Air Pressure Switch Wire Harness CPW	015541F	015541F	015541F	015541F	015541F	015541F
15-M	Blower Wire Harness for CPW	015756F	015756F	015756F	015756F	015756F	015756F
16-M	Economaster Wire Harness CPW	015757F	015757F	015757F	015757F	015757F	015757F
17-M	Flow Switch Wire Harness CPW	015935F	015935F	015935F	015935F	015935F	015935F
18-M	Gas Valve Solenoid Wire Harness	015932F	015932F	N/A	N/A	N/A	N/A
19-M	Gas Valve Wire Harness CPW	015934F	015934F	015934F	015934F	015934F	015934F
20-M	Ignition Module Wire Harness CPW	015874F	015874F	015874F	015874F	015874F	015874F
21-M	Panel Switch Wire Harness CPW	015936F	015936F	015936F	015936F	015936F	015936F
22-M	Safety Board Interface Wire Harness CPW	015873F	015873F	015873F	015873F	015873F	015873F
23-M	Time Delay Wire Harness CPW	N/A	N/A	015754F	015754F	015754F	015754F
O	OPTIONS						
1-O	Remote Sensor for Low Water Cut-Off	007228F	007228F	007228F	007228F	007228F	007228F
2-O	Low Water Cut Off PC Board	007157F	007157F	007157F	007157F	007157F	007157F
R	REFRACTORY						
1-R	Refractory Kit (All Panels)	007401F	007402F	007403F	007404F	007405F	007406F
2-R	Refractory Front Panel (2 Panels)	007407F	007408F	007409F	007410F	007411F	007412F

* For individuals pump parts see separate pump parts IPL 9300.100

UNCONTROLLED DOCUMENT IF PRINTED

APPROVED

CALL OUT	DESCRIPTION	302	402	502	652	752	902
S	SHEETMETAL						
1-S	Jacket Top	007538F	007539F	007540F	007541F	007542F	007543F
2-S	Jacket Top w/ Air Intake	007544F	007545F	007546F	007547F	007548F	007549F
3-S	Upfront Control Panel (5 Indicator Lights)	007550F	007551F	007551F	007552F	007552F	007552F
	Upfront Control Panel (8 Indicator Lights)	007553F	007554F	007554F	007555F	007555F	007555F
	Upfront Control Panel w/ Window (5 Indicator Lights)	007556F	007557F	007557F	007558F	007558F	007558F
	Upfront Control Panel w/ Window (8 Indicator Lights)	007559F	007560F	007560F	007561F	007561F	007561F
4-S	Upper Control Access Jacket Panel	007562F	007563F	007564F	007565F	007566F	007567F
5-S	Upper Control Access Jacket Panel w/ Air Intake	007568F	007569F	007570F	007571F	007572F	007573F
6-S	Lower Front Jacket Panel	007574F	007575F	007576F	007577F	007578F	007579F
7-S	Lower Rear Jacket Panel	007580F	007581F	007582F	007583F	007584F	007585F
8-S	Upper Side Jacket Panel	007586F	007586F	007586F	007586F	007586F	007586F
9-S	Rear Exhaust Cover Panel	007587F	007588F	007588F	007589F	007589F	007589F
10-S	Lower Corner Supports	007590F	007590F	007590F	007590F	007590F	007590F
11-S	Center Support Panel (Consult Factory)	N/A	N/A	N/A	N/A	N/A	N/A
12-S	Left & Right Heat Exchanger Support (Consult Factory)	N/A	N/A	N/A	N/A	N/A	N/A
13-S	Blower Intake Box	007602F	007602F	N/A	N/A	N/A	N/A
14-S	Blower Adapter	N/A	N/A	007603F	007604F	007604F	007604F
15-S	Support Horizontal	007591F	007592F	007593F	007594F	007595F	007596F
16-S	Support Vertical	007597F	007597F	007597F	007597F	007597F	007597F
17-S	Gas Access Panel	007598F	007598F	007599F	007599F	007599F	007599F
18-S	Flue Collector Top	007879F	007880F	007881F	007882F	007883F	007884F
19-S	Access Panel	007600F	007600F	007600F	007600F	007600F	007600F
20-S	Access Panel w/Pump	007601F	007601F	007601F	007601F	007601F	007601F
21-S	Cover for Return Header Mounted Pump	002671F	002671F	002671F	002671F	002671F	002671F
22-S	J Box Sheetmetal	007388F	007389F	007389F	007390F	007390F	007390F
23-S	Flue Sleeve	008725F	008726F	008726F	008727F	008727F	008727F
24-S	Combustion Chamber Rear Panel	010766F	010767F	010768F	010769F	010770F	010771F
V	VENTING						
1-V	Outdoor Stack	015446F	014622F	014622F	014623F	014623F	014623F
2-V	Intake Air Filter Box	007099	007099	007099	007100	007100	007100
3-V	Filter	008401F	008401F	008401F	008402F	008402F	008402F
4-V	Intake Air Collar Assy	015558F	015558F	015558F	015559F	015559F	015559F

CONVERSION KITS*

2 Stage Manifold to Split Manifold							
	Natural	008152F	008150F	N/A	N/A	N/A	N/A
	Propane	008151F	008050F	N/A	N/A	N/A	N/A

*For gas conversions, please contact the factory for information.

APPROVED



Raypak, Inc. 2151 Eastman Avenue, Oxnard, CA 93030 (805) 278-5300 www.raypak.com

Litho in U.S.A

UNCONTROLLED DOCUMENT IF PRINTED