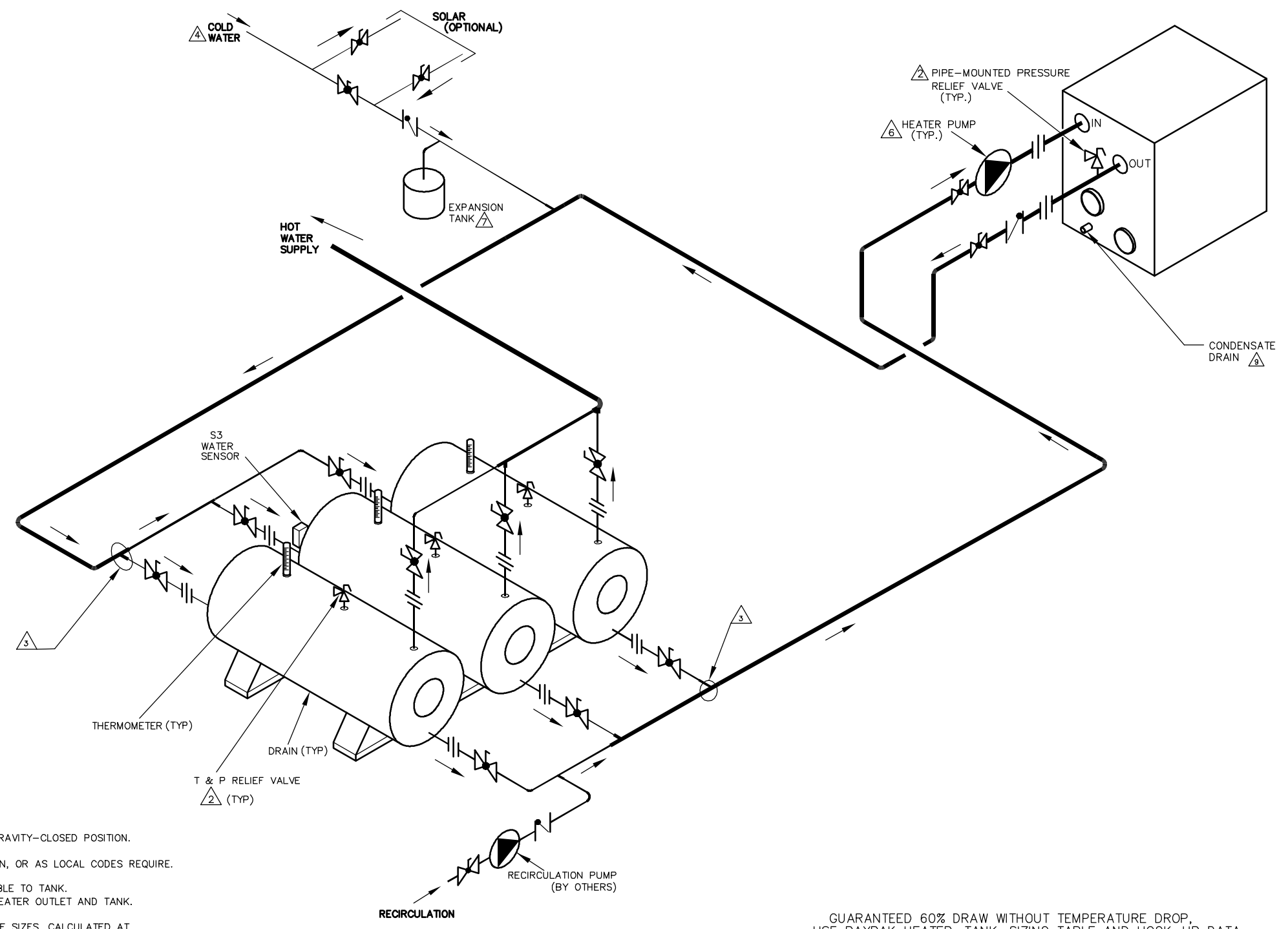


XFIIRE PIPE SIZES		
	1 UNIT PORT	MAX FLOW
300B	2	38
400B	2	50
500B	2	62
650B	2	80
800B	2	90
1000B	2-1/2	90

THIS PIPING DIAGRAM IS RAYPAK'S RECOMMENDATION AND IS NOT INTENDED TO REPLACE AN ENGINEERED PIPING SYSTEM DESIGNED BY A PROFESSIONAL ENGINEER.

REVISIONS						
REV	ZONE	DESCRIPTION	E.O.	BY	DATE	CHECK
0		INITIAL RELEASE.		RAN	2-26-20	



- NOTES:
1. PLUMB SWING CHECK VALVE IN GRAVITY-CLOSED POSITION.
 2. PIPE ALL RELIEF VALVES TO DRAIN, OR AS LOCAL CODES REQUIRE.
 3. LOCATE TEE AS CLOSE AS POSSIBLE TO TANK. INSTALL COLD WATER BETWEEN HEATER OUTLET AND TANK.
 5. SEE CHART "PIPE SIZES" FOR PIPE SIZES, CALCULATED AT MAXIMUM FLOW, NOT TO EXCEED 7.5 FT/SEC.
 6. PUMP SIZING BASED ON MAX EQUIVALENT LENGTH OF 75 FT OF PIPING BETWEEN TANK AND HEATER. IF DISTANCE IS GREATER, THE PUMP MUST BE SIZED TO ACCOMMODATE INCREASE IN PIPING-RELATED LOSSES.
 7. PROVIDE FOR THERMAL EXPANSION OF HOT WATER IF A BACKFLOW PREVENTER, CHECK VALVE, WATER METER OR PRESSURE-REDUCING VALVE IS INSTALLED IN THE COLD WATER LINE.
 8. IF HOT WATER SETPOINT EXCEEDS 150°F WITH MAX FLOW, SPECIFY TYPE "H" - HIGH TEMPERATURE POTABLE MODEL INSTEAD OF "WH" WATER HEATERS.
- CONDENSATE MUST BE PIPED TO AN APPROVED DRAIN. LOCAL CODE MAY REQUIRE PH TREATMENT PRIOR TO DRAIN.

8909 0

KEY	
	BALANCING VALVE
	PRESSURE RELIEF VALVE
	PUMP
	UNION
	CHECK VALVE
	BALL VALVE
	THERMOMETER

GUARANTEED 60% DRAW WITHOUT TEMPERATURE DROP. USE RAYPAK HEATER, TANK, SIZING TABLE AND HOOK-UP DATA

<p>UNLESS OTHERWISE SPECIFIED: ALL UNITS ARE IN INCHES FRACTIONS ±1/32 ANGLES ±1° X.X = ±.12 X.XX = ±.06 X.XXX = ±.03 X.XXXX = ±.010 DRAFT WALL RADII CONCENTRICITIES .020 DIA. SQUARENESS .015 IN./IN. BREAK EDGES .015 MAX. SURFACE FINISH PER ASME Y14.36M-1996</p>	APPROVED	DATE		OXNARD, CALIFORNIA				
	CHECKED	DATE						
	DRAWN	R NASH	DATE	2-26-2020	E.O.	SPR	SCALE	NONE
	HEATERS SHOWN REPRESENT VARIOUS MODELS. BECAUSE INDIVIDUAL MODELS WILL VARY IN DESIGN AND SIZING, SEE EACH SPECIFIC HEATER TYPE FOR DETAILS.		RAYPAK PROPRIETARY AND CONFIDENTIAL INFORMATION This drawing contains Confidential and Proprietary Information of Raypak, Inc. All rights reserved by Raypak, Inc.					
TITLE: PIPING, UNI-TEMP 60: 1 XFIIRE, 3 H TANKS								
MAT'L.	SERIES/MODEL	SIZE	DWG. NO.	REV				
	WH	C	8909	0				