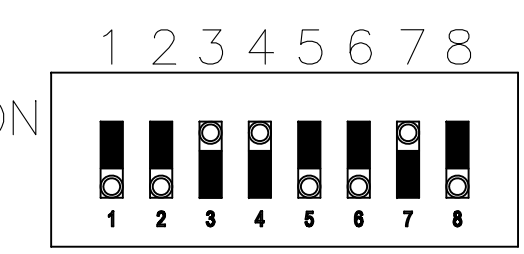
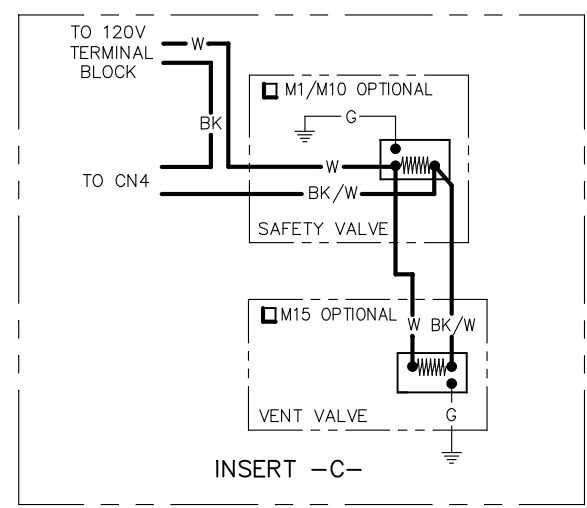
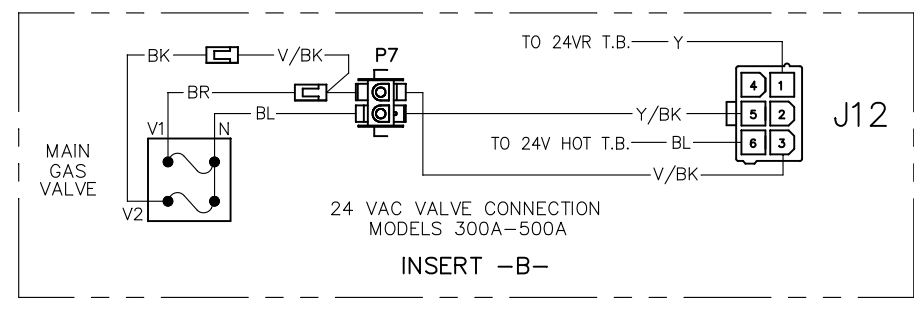
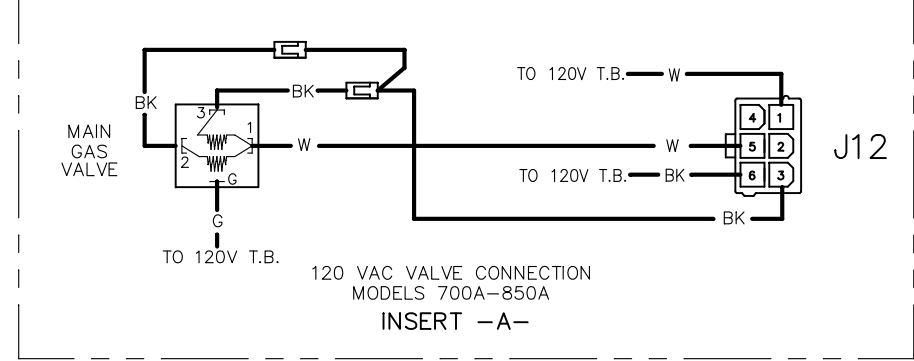


DETAIL A
 DIPSWITCH #2 "ON" FOR MASTER CONTROL ONLY
 SEE I & O MANUAL FOR OTHER CONFIGURATIONS



DETAIL B
 DEFAULT SETTING - 3, 4, 7 OFF, ALL OTHER SWITCHES OFF
 SEE I & O MANUAL FOR OTHER CONFIGURATIONS



- NOTES:**
1. USE GROUND CONNECTION PROVIDED. FAILURE TO PROVIDE PROPER GROUND MAY RESULT IN LOCK-OUT.
 2. PUMP RELAY MUST BE RATED FOR APPROPRIATE PUMP SIZE.
 3. CHECK CONTROLS PROVIDED (WIRED AS SHOWN).
 4. IF ANY OF THE ORIGINAL WIRE AS SUPPLIED WITH THE HEATER MUST BE REPLACED, IT MUST BE REPLACED WITH ITS EQUIVALENT 105°C.
 5. UNLESS OTHERWISE SPECIFIED ALL WIRES ARE 18 AWG.
 6. ALL MICROFIT CONNECTIONS ARE MADE WITH 20 AWG WIRES.
 7. WHEN NOT USED, OPTIONAL SAFETIES ARE JUMPERED. REMOVE JUMPERS WHEN OPTIONAL SAFETIES ARE ADDED.

CHECKED BY:
 APPROVED BY:
 ORIG E.O. 4700
 11/22/11
 CHG E.O. 5355
 3/4/16
Raypak

WIRING DIAGRAM-DSI INTEGRATED
 INPUTS: 300,000 THRU 850,000 BTUH
 SIZE: 300A-850A TYPE: H7/WH7

KEY	
---	LOW VOLTAGE
- - -	FIELD INSTALL
---	LINE VOLTAGE
- - -	FIELD INSTALL
⊕	GROUND
⊕	MALE/FEM TERMINAL CONN
○	TERMINAL CONNECTION
BK	BLACK
BL	BLUE
BR	BROWN
GY	GRAY
G	GREEN
O	ORANGE
R	RED
V	VIOLET
W	WHITE
Y	YELLOW