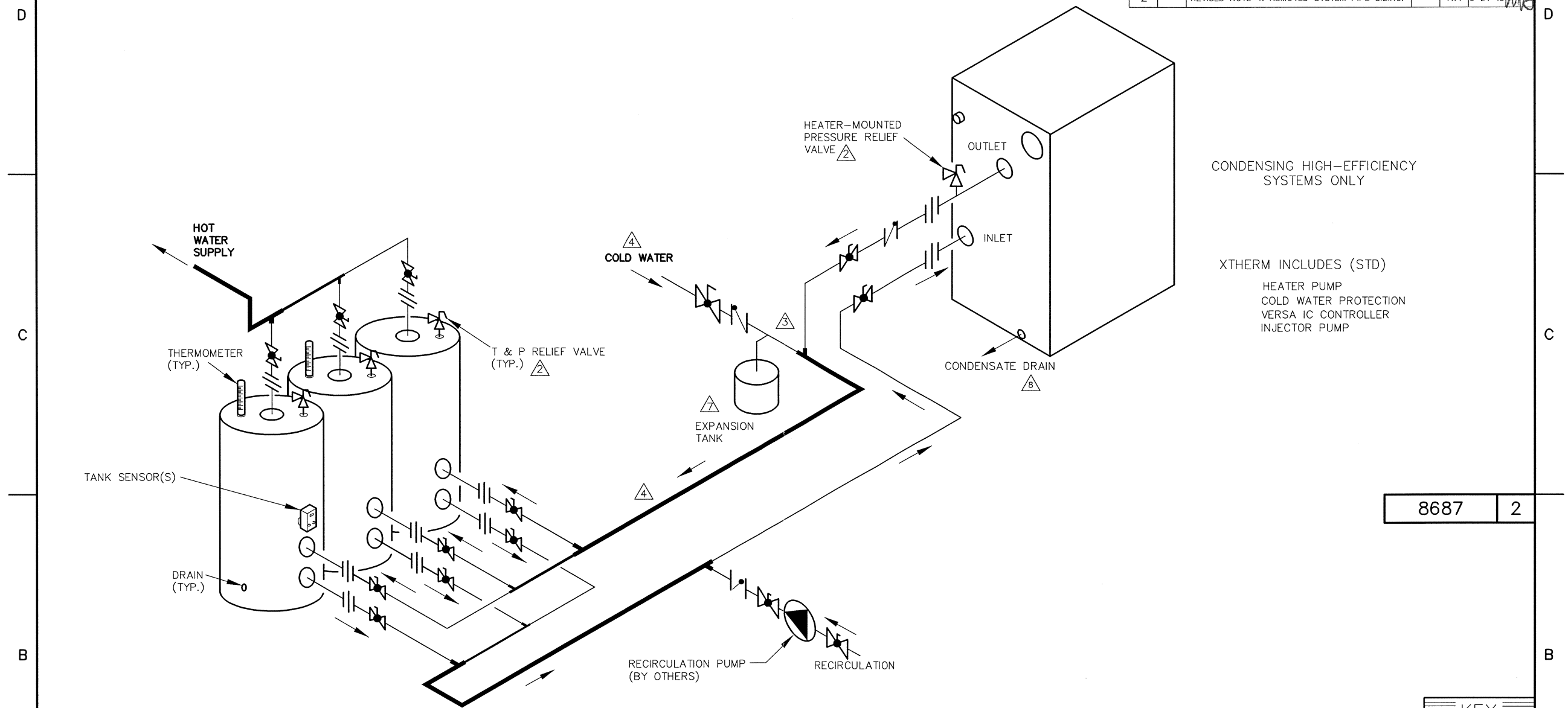


PIPE SIZES	
	1 UNIT
1005-2005	2-1/2"

THIS PIPING DIAGRAM IS RAYPAK'S RECOMMENDATION AND IS NOT INTENDED TO REPLACE AN ENGINEERED PIPING SYSTEM DESIGNED BY A PROFESSIONAL ENGINEER.

REVISIONS						
REV	ZONE	DESCRIPTION	E.O.	BY	DATE	CHECK
1		REVISED PIPING, COLD WATER INLET, REVISED NOTES 4 & 5. ADDED NOTE 9.		KA	3-25-14	DRB
2		REVISED NOTE 4. REMOVED SYSTEM PIPE SIZING.		KA	3-24-15	MB



NOTES:

1. PLUMB SWING CHECK VALVE IN GRAVITY-CLOSED POSITION.
2. PIPE ALL RELIEF VALVES TO DRAIN, OR AS LOCAL CODES REQUIRE.
3. LOCATE TEE AS CLOSE AS POSSIBLE TO TANK.
4. INSTALL COLD WATER BETWEEN HEATER OUTLET AND TANK. PIPING BETWEEN COLD WATER AND TANK MAY NEED TO BE INCREASED TO ACCOMMODATE COLD WATER FLOW.
5. SEE CHART "PIPE SIZES" FOR PIPE SIZES, CALCULATED AT MAXIMUM FLOW, NOT TO EXCEED 7.5 FT/SEC.
6. PIPE SIZING BASED ON 80 EQUIVALENT FEET OF PIPING. IF DISTANCE IS GREATER, THE PIPE MUST BE SIZED TO ACCOMMODATE INCREASE IN PIPING-RELATED LOSSES.
7. PROVIDE FOR THERMAL EXPANSION OF HOT WATER IF A BACKFLOW PREVENTER, CHECK VALVE, WATER METER, OR PRESSURE REDUCING VALVE IS INSTALLED IN THE COLD WATER LINE.
8. CONDENSATE MUST BE PIPED TO AN APPROVED DRAIN. LOCAL CODE MAY REQUIRE NEUTRALIZATION PRIOR TO DRAIN.
9. IF HOT WATER SETPOINT EXCEEDS 150°F WITH MAX FLOW, SPECIFY "H" BOILERS INSTEAD OF "WH" WATER HEATERS.

8687 2

KEY	
	T & P RELIEF VALVE
	PUMP
	UNION
	CHECK VALVE
	BALL VALVE
	THERMOMETER

GUARANTEED 80% DRAW WITHOUT TEMPERATURE DROP, USE RAYPAK HEATER, TANK, SIZING TABLE AND HOOK-UP DATA

<small>UNLESS OTHERWISE SPECIFIED:            ALL UNITS ARE IN INCHES            FRACTIONS ±1/32 ANGLES ±1°            X.X = ±.12 X.XX = ±.06            X.XX = ±.03 X.XXX = ±.010            DRAFT WALL RADII            CONCENTRICITIES .020 DIA.            SQUARENESS .015 IN./IN.            BREAK EDGES .015 MAX.            SURFACE FINISH PER            ASME Y14.36M-1996</small>	APPROVED 	DATE 4/24/15	 <small>OXNARD, CALIFORNIA</small>	SCALE NONE
	CHECKED S THURLKILL	DATE 1-22-10		
	DRAWN D BALDWIN	DATE 1-20-10	E.O. SPR	<small>THIS DRAWING SUBMITTED UNDER CONFIDENTIAL RELATIONSHIP, AS IT EMBODIES PROPRIETARY INFORMATION, WITH ALL RIGHTS RESERVED BY RAYPAK, INC.</small>
	SIZE C	TITLE PIPING, UNI-TEMP 80: 1 XTHERM, 3 V TANKS		
MAT'L	SERIES/MODEL WH	DWG. NO. 8687	REV 2	

ACAD: 8687.DWG  
HEATER SHOWN REPRESENTS VARIOUS MODELS. BECAUSE INDIVIDUAL MODELS WILL VARY IN DESIGN AND SIZING, SEE EACH SPECIFIC HEATER TYPE FOR DETAILS.