

PIPE SIZES

	1 UNIT	2 UNITS
1005-2005	2-1/2"	4"

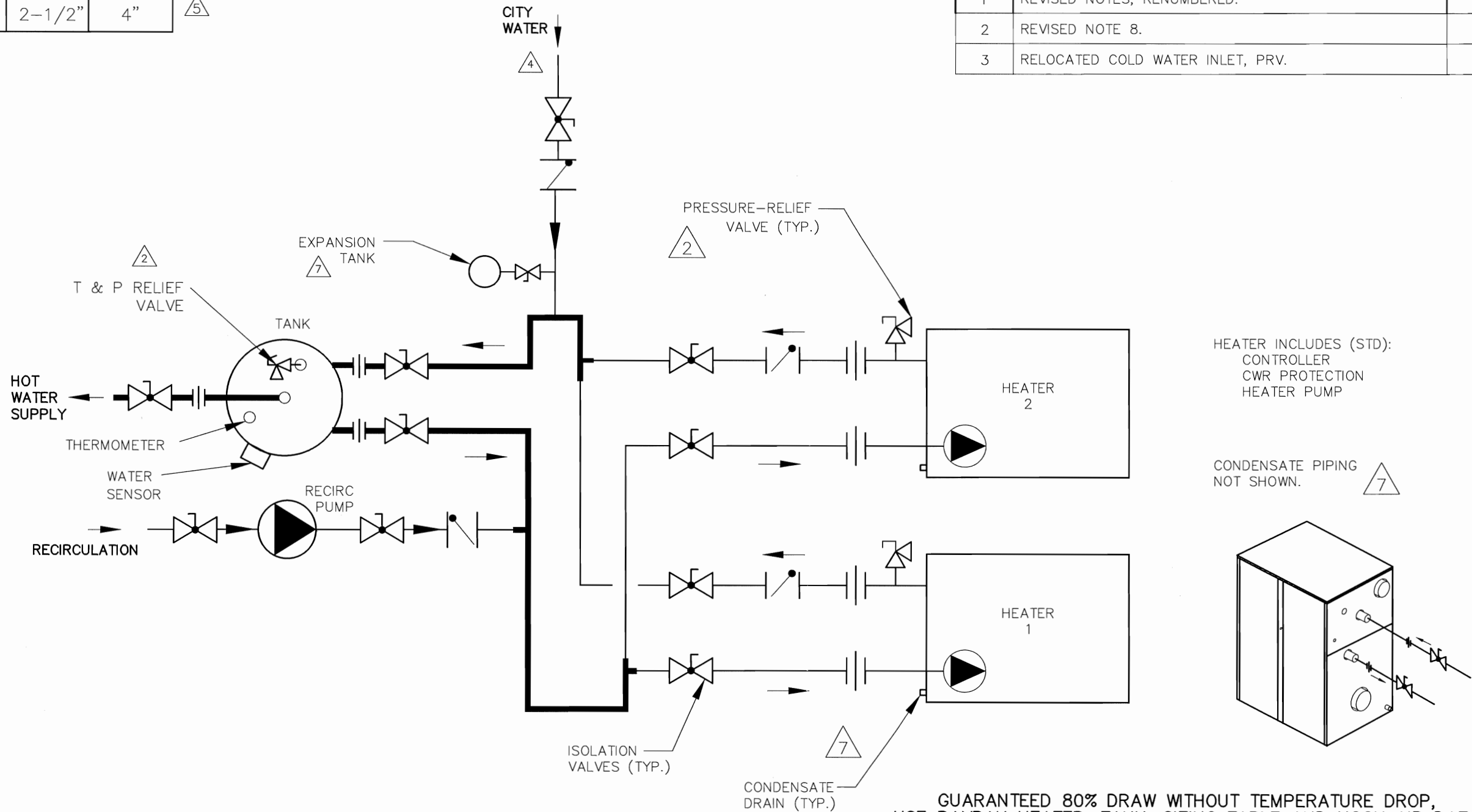
THIS PIPING DIAGRAM IS RAYPAK'S RECOMMENDATION AND IS NOT INTENDED TO REPLACE AN ENGINEERED PIPING SYSTEM DESIGNED BY A PROFESSIONAL ENGINEER.

REVISIONS

REV	DESCRIPTION	E.O.	BY	DATE	CHECK
1	REVISED NOTES, RENUMBERED.		RAN	7-7-10	DRB
2	REVISED NOTE 8.		KA	3-7-11	DRB
3	RELOCATED COLD WATER INLET, PRV.		KA	3-25-14	<i>[Signature]</i>

B

B



KEY	
	PRESSURE RELIEF VALVE
	PUMP
	UNION
	CHECK VALVE
	BALL VALVE
	THERMOMETER

- NOTES:
1. PLUMB SWING CHECK VALVE IN GRAVITY-CLOSED POSITION.
 2. PIPE ALL RELIEF VALVES TO DRAIN, OR AS LOCAL CODES REQUIRE.
 3. LOCATE TEE AS CLOSE AS POSSIBLE TO TANK.
 4. INSTALL COLD WATER BETWEEN HEATER OUTLET AND TANK.
 5. PIPE SIZING BASED ON MAX EQUIVALENT LENGTH OF 100 FEET OF PIPE BETWEEN TANK AND HEATER. IF LONGER, CONSULT FACTORY FOR PROPER PIPE SIZE REQUIRED.
 6. PROVIDE FOR THERMAL EXPANSION OF HOT WATER IF A BACKFLOW PREVENTER, CHECK VALVE, WATER METER OR PRESSURE-REDUCING VALVE IS INSTALLED IN THE COLD WATER LINE.
 7. CONDENSATE MUST BE PIPED TO AN APPROVED DRAIN. LOCAL CODE MAY REQUIRE NEUTRALIZATION PRIOR TO DRAIN.
 8. IF HOT WATER SETPOINT EXCEEDS 150°F WITH MAX FLOW, SPECIFY "H" BOILERS INSTEAD OF "WH" WATER HEATERS.

GUARANTEED 80% DRAW WITHOUT TEMPERATURE DROP, USE RAYPAK HEATER, TANK, SIZING TABLE AND HOOK-UP DATA

ACAD: 8647.DWG

HEATERS SHOWN REPRESENT VARIOUS MODELS. BECAUSE INDIVIDUAL MODELS WILL VARY IN DESIGN AND SIZING, SEE EACH SPECIFIC HEATER TYPE FOR DETAILS.

8647	UNLESS OTHERWISE SPECIFIED: ALL UNITS ARE IN INCHES FRACTIONS ±1/32 ANGLES ±1° X. = ±.12 X.X = ±.06 X.XX = ±.03 X.XXX = ±.010 DRAFT _____ WALL _____ RADII _____ CONCENTRICITIES .020 DIA. SQUARENESS .015 IN./IN. BREAK EDGES .015 MAX. SURFACE FINISH PER ASME Y14.36M-1996	APPROVED <i>[Signature]</i>	DATE 4/1/14	 OXNARD, CALIFORNIA
		CHECKED D BALDWIN	DATE 6/19/09	
		DRAWN R NASH	DATE 6-19-09	
		 SIZE B		THIS DRAWING SUBMITTED UNDER CONFIDENTIAL RELATIONSHIP, AS IT EMBODIES PROPRIETARY INFORMATION, WITH ALL RIGHTS RESERVED BY RAYPAK, INC.
TITLE PIPING, UNI-TEMP 80: 2 XTHERM, 1 V TANK				
3	MAT'L.	SERIES/MODEL WH	DWG. NO. 8647	REV 3

A

A