

**NOTES: \* USE GROUND CONNECTION PROVIDED. FAILURE TO PROVIDE PROPER GROUND MAY RESULT IN LOCK-OUT ALL GROUND  $\perp$  TERMINATE AT  $\text{SPG}$ .**

\*\* PUMP USED MUST BE RATED 10 AMPS MAX OR 3/4 HP MAX. PUMP DELAY ADJUSTABLE BETWEEN 3 AND 10 MINUTES.

\*\*\* VENT TEMP SWITCH ONLY PROVIDED ON INDOOR UNITS

\*\*\*\*FOR TWO STAGE OPERATION OR MULTIPLE BOILER SYSTEM, SEE INSTALLATION AND OPERATING INSTRUCTION MANUAL.

$\Delta$  -  $\text{E}$  CONNECTIONS FOR OPTIONAL E-4 ALARM PANEL.

CHECK CONTROLS PROVIDED (WIRED AS SHOWN)

REPLACE WIRING WITH 105°C WIRE OR ITS EQUIVALENT AND 150°C AS NOTED.

CHECKED BY:	
APPROVED BY:	
ORIG E.O.	3403
	11/02/01
CHG E.O.	5223
	08/13/14
<i>Raupak</i>	

**WIRING DIAGRAM IID ECONOMASTER LOW NOX FIRING MODE - 2 STAGE**

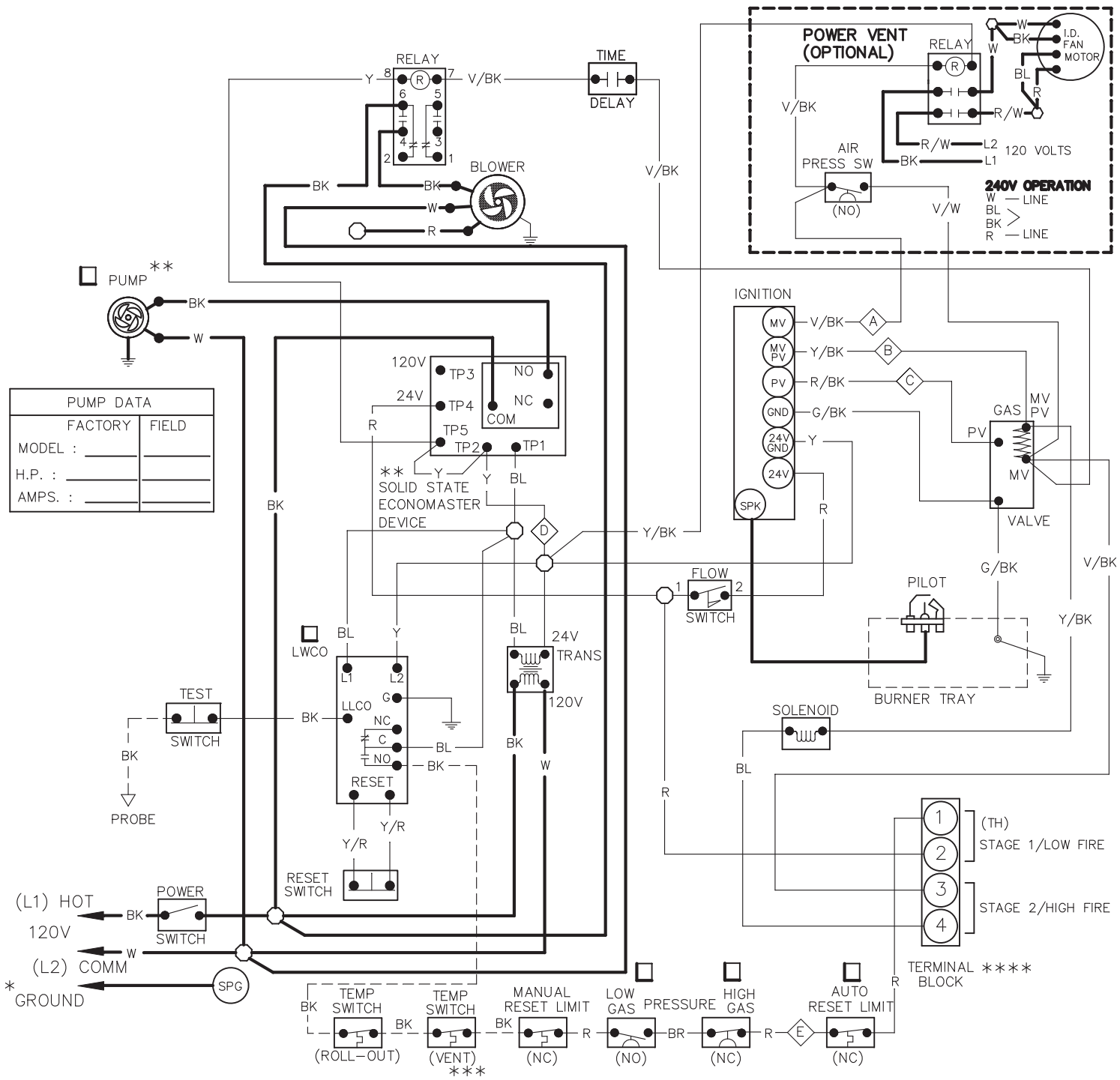
INPUTS: 181,000 THRU 264,000 BTUH

SIZE: **181A/261A**

TYPE: **WH3**

KEY	
—	24V 105°C
- - -	24V 150°C
—	120V 105°C
○	WIRE NUT
⊕	GROUND
BK	BLACK
BR	BROWN
R	RED
O	ORANGE
Y	YELLOW
G	GREEN
BL	BLUE
V	VIOLET
W	WHITE

**152574 | 5**



PUMP DATA	
FACTORY	FIELD
MODEL :	
H.P. :	
AMPS. :	

**NOTES:** \* USE GROUND CONNECTION PROVIDED. FAILURE TO PROVIDE PROPER GROUND MAY RESULT IN LOCK-OUT ALL GROUND  $\perp$  TERMINATE AT  $\text{SPG}$ .

- \*\* PUMP USED MUST BE RATED 10 AMPS MAX OR 3/4 HP MAX. PUMP DELAY ADJUSTABLE BETWEEN 3 AND 10 MINUTES.
- \*\*\* VENT TEMP SWITCH ONLY PROVIDED ON INDOOR UNITS
- \*\*\*\*FOR TWO STAGE OPERATION OR MULTIPLE BOILER SYSTEM, SEE INSTALLATION AND OPERATING INSTRUCTION MANUAL.
- ⬡ - ⬢ CONNECTIONS FOR OPTIONAL E-4 ALARM PANEL.
- ☑ CHECK CONTROLS PROVIDED (WIRED AS SHOWN) REPLACE WIRING WITH 105°C WIRE OR ITS EQUIVALENT AND 150°C AS NOTED.

CHECKED BY:
APPROVED BY:
ORIG E.O. <b>3403</b>
<b>11/02/01</b>
CHG E.O. <b>5223</b>
<b>08/13/14</b>
<b>Ralpak</b>

**WIRING DIAGRAM IID ECONO LOW NOX POWER VENT FIRING MODE - 2 STAGE**

INPUTS:	181,000 THRU 264,000 BTUH
SIZE:	<b>181A/261A</b>
TYPE:	<b>WH3</b>

KEY	
—	24V 105°C
- - -	24V 150°C
—	120V 105°C
○	WIRE NUT
⊕	GROUND
BK	BLACK
BR	BROWN
R	RED
O	ORANGE
Y	YELLOW
G	GREEN
BL	BLUE
V	VIOLET
W	WHITE

**152574 | 5**