

NOTES: * USE GROUND CONNECTION PROVIDED. FAILURE TO PROVIDE PROPER GROUND MAY RESULT IN LOCK-OUT. ALL GROUND TERMINATE AT SPG .

- ** PUMP USED MUST BE RATED 10 AMPS MAX OR 3/4 HP MAX. PUMP DELAY ADJUSTABLE BETWEEN 3 AND 10 MINUTES.
- *** VENT TEMP SWITCH ONLY PROVIDED ON INDOOR BOILERS
- **** FOR TWO STAGE OPERATION OR MULTIPLE BOILER SYSTEM, SEE INSTALLATION AND OPERATING INSTRUCTION MANUAL.
- ⬡ — ⬢ CONNECTIONS FOR OPTIONAL E-4 ALARM PANEL.
- ☑ CHECK CONTROLS PROVIDED (WIRED AS SHOWN)
- REPLACE WIRING WITH 105°C WIRE ONLY

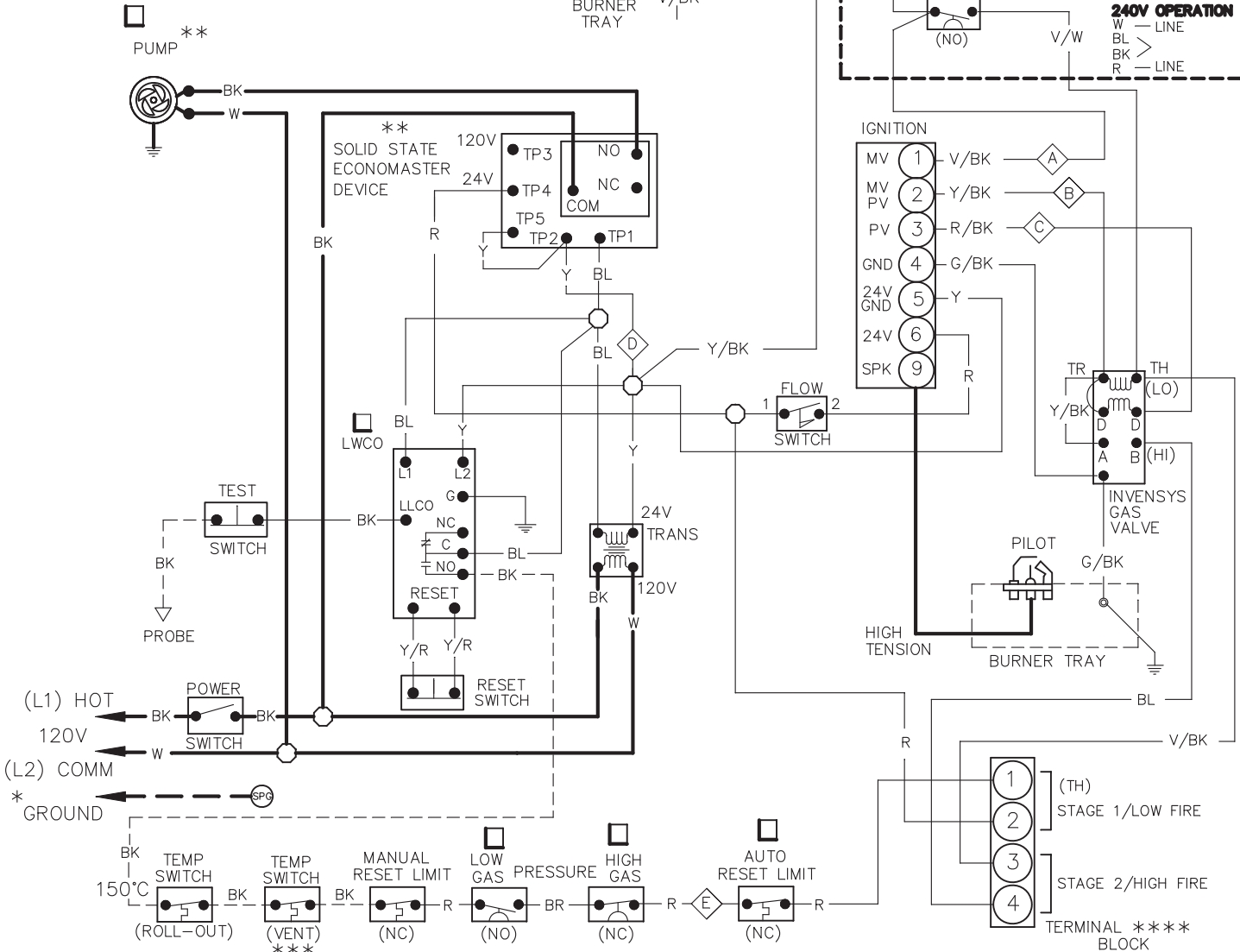
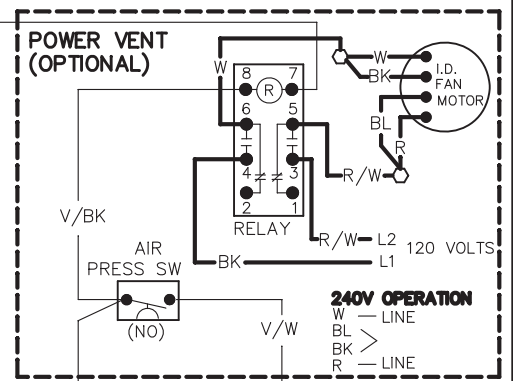
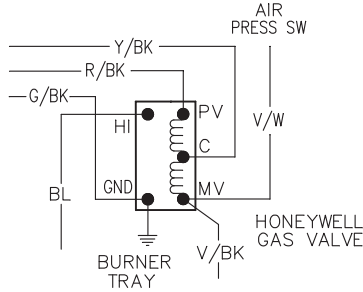
KEY	
———	LOW VOLTAGE
-----	FIELD INSTALL
————	LINE VOLTAGE
————	FIELD INSTALL
○	WIRE NUT
⊕	GROUND
BK	BLACK
BR	BROWN
R	RED
O	ORANGE
Y	YELLOW
G	GREEN
BL	BLUE
V	VIOLET
W	WHITE

CHECKED BY:
APPROVED BY:
ORIG E.O. 3311
08/17/00
CHG E.O. 5223
08/12/14
<i>Raupak</i>

WIRING DIAGRAM IID ECONOMASTER FIRING MODE - 2 STAGE	
INPUTS:	181,000 THRU 264,000 BTUH
SIZE:	182/260
TYPE:	WH3

152507	7
--------	---

PUMP DATA	
FACTORY	FIELD
MODEL :	
H.P. :	
AMPS. :	



NOTES: * USE GROUND CONNECTION PROVIDED. FAILURE TO PROVIDE PROPER GROUND MAY RESULT IN LOCK-OUT. ALL GROUND \pm TERMINATE AT SPG .

** PUMP USED MUST BE RATED 10 AMPS MAX OR 3/4 HP MAX. PUMP DELAY ADJUSTABLE BETWEEN 3 AND 10 MINUTES.

*** VENT TEMP SWITCH ONLY PROVIDED ON INDOOR BOILERS

**** FOR TWO STAGE OPERATION OR MULTIPLE BOILER SYSTEM, SEE INSTALLATION AND OPERATING INSTRUCTION MANUAL.

\triangle - \triangle CONNECTIONS FOR OPTIONAL E-4 ALARM PANEL.

CHECK CONTROLS PROVIDED (WIRED AS SHOWN)
REPLACE WIRING WITH 105°C WIRE ONLY

KEY	
—	LOW VOLTAGE
---	FIELD INSTALL
—	LINE VOLTAGE
—	FIELD INSTALL
\bigcirc	WIRE NUT
SPG	GROUND
BK	BLACK
BR	BROWN
R	RED
O	ORANGE
Y	YELLOW
G	GREEN
BL	BLUE
V	VIOLET
W	WHITE

CHECKED BY:	
APPROVED BY:	
ORIG E.O. 3311	
08/17/00	
CHG E.O. 5223	
08/12/14	
Ralpak	

**WIRING DIAGRAM IID ECONO POWER VENT
FIRING MODE - 2 STAGE**

INPUTS: 181,000 THRU 264,000 BTUH

SIZE: **182/260**

TYPE: **WH3**

152507 7