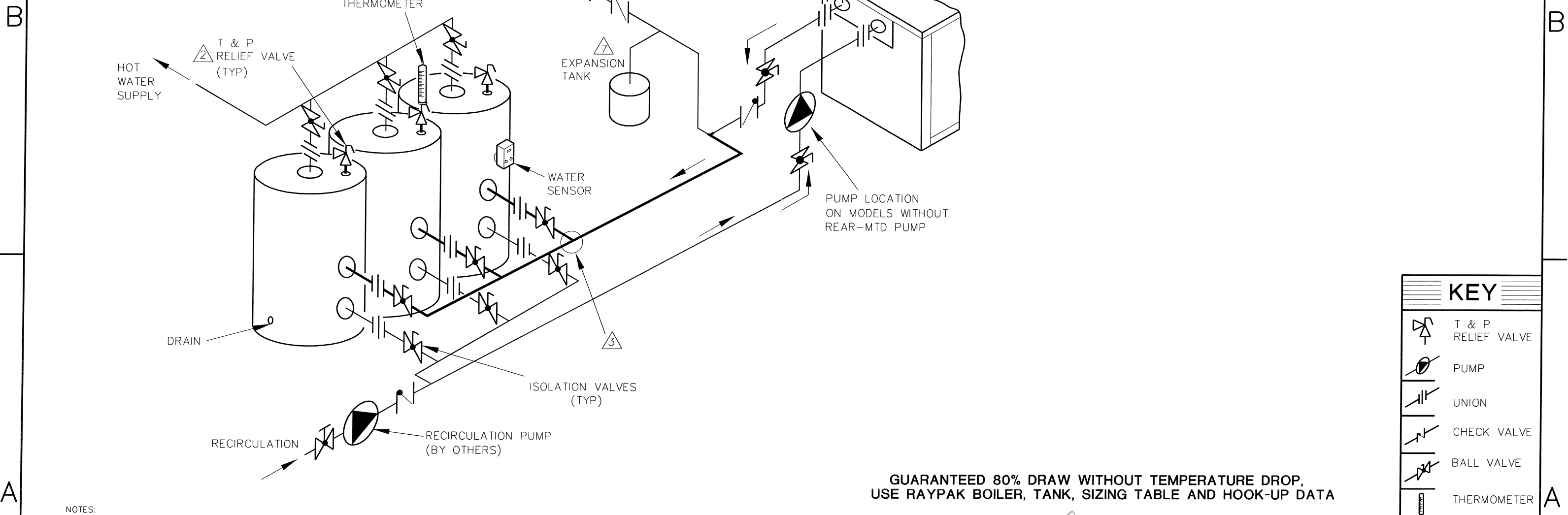


MINIMUM PIPE SIZES		
	BRANCH	MAIN
RAYTHERM		
133	1-1/4"	1-1/2"
181-401	1-1/2"	2"
514-824	2"	2-1/2"
926-1826	2-1/2"	2-1/2"
2100-4001	3"	3"
MVB		
503-754	2"	2-1/2"
1003-2004	2-1/2"	2-1/2"
HI DELTA		
302-902	2"	2-1/2"
992-2342	2-1/2"	3"

THIS PIPING DIAGRAM IS RAYPAK'S RECOMMENDATION AND IS NOT INTENDED TO REPLACE AN ENGINEERED PIPING SYSTEM DESIGNED BY A PROFESSIONAL ENGINEER.

REVISIONS					
REV	DESCRIPTION	E.O.	BY	DATE	CHECK
3	UPDATED FORMAT.		DRB	6-15-04	DRB
4	UPDATED FORMAT, SYMBOLS. REMOVED ADB USAGE, ADDED MVB USAGE.		RAN	4-3-09	<i>WBO</i>



KEY	
	T & P RELIEF VALVE
	PUMP
	UNION
	CHECK VALVE
	BALL VALVE
	THERMOMETER

GUARANTEED 80% DRAW WITHOUT TEMPERATURE DROP, USE RAYPAK BOILER, TANK, SIZING TABLE AND HOOK-UP DATA

- NOTES:
- PLUMB SWING CHECK VALVE IN GRAVITY-CLOSED POSITION.
 - PIPE ALL RELIEF VALVES TO DRAIN, OR AS LOCAL CODES REQUIRE.
 - LOCATE TEE AS CLOSE AS POSSIBLE TO TANK.
 - INSTALL COLD WATER BETWEEN HEATER OUTLET AND TANK.
 - SEE CHART "MINIMUM PIPE SIZES" FOR MINIMUM PIPE SIZES. PIPE SIZES CALCULATED AT MAXIMUM FLOW.
 - SIZING BASED ON HEATER AND TANK BEING PLACED FIVE FEET APART, IF DISTANCE IS GREATER, THE PUMP MUST BE SIZED TO ACCOMMODATE INCREASE IN PIPING-RELATED LOSSES.
 - PROVIDE FOR THERMAL EXPANSION OF HOT WATER IF A BACKFLOW PREVENTER, CHECK VALVE, WATER METER, OR PRESSURE REDUCING VALVE IS INSTALLED IN THE COLD WATER LINE.

ACAD: 8067.DWG
HEATER SHOWN REPRESENTS VARIOUS MODELS. BECAUSE INDIVIDUAL MODELS WILL VARY IN DESIGN AND SIZING, SEE EACH SPECIFIC HEATER TYPE FOR DETAILS.

8067	UNLESS OTHERWISE SPECIFIED: ALL UNITS ARE IN INCHES FRACTIONS ±1/32 ANGLES ±1° X. = ±.12 X.X = ±.06 X.XX = ±.03 X.XXX = ±.010 DRAFT___ WALL___ RADII___ CONCENTRICITIES .020 DIA. SQUARENESS .015 IN./IN. BREAK EDGES .015 MAX. SURFACE FINISH PER ASME Y14.36M-1996	APPROVED <i>Small</i>	DATE 4-9-09	OXNARD, CALIFORNIA	
	CHECKED D BALDWIN	DATE 8-26-96	E.O. SPR		
	DRAWN D BALDWIN	DATE 8-26-96	THIS DRAWING SUBMITTED UNDER CONFIDENTIAL RELATIONSHIP, AS IT EMBODIES PROPRIETARY INFORMATION, WITH ALL RIGHTS RESERVED BY RAYPAK, INC.		
	TITLE PIPING, UNI-TEMP 80: 1 HEATER, 3 V TANKS	SERIES/MODEL WH	DWG. NO. 8067	REV 4	