

PUMP DATA	
FACTORY	FIELD
MODEL :	
H.P. :	
AMPS. :	

NOTES:

* **USE GROUND CONNECTION PROVIDED. FAILURE TO PROVIDE PROPER GROUND MAY RESULT IN LOCK-OUT ALL GROUND ≡ TERMINATE AT (SPG).**

** PUMP USED MUST BE RATED 10 AMPS MAX OR 3/4 HP MAX PUMP DELAY ADJUSTABLE BETWEEN 3 AND 10 MINUTES.

◇-◇ CONNECTIONS FOR OPTIONAL E-4 ALARM PANEL.

☑ CHECK CONTROLS PROVIDED (WIRED AS SHOWN) REPLACE WIRING WITH 105°C WIRE ONLY

CHECKED BY:	
APPROVED BY:	
ORIG E.O. 2681	
07/11/94	
CHG E.O. 5764	
06/28/17	
Raupak	

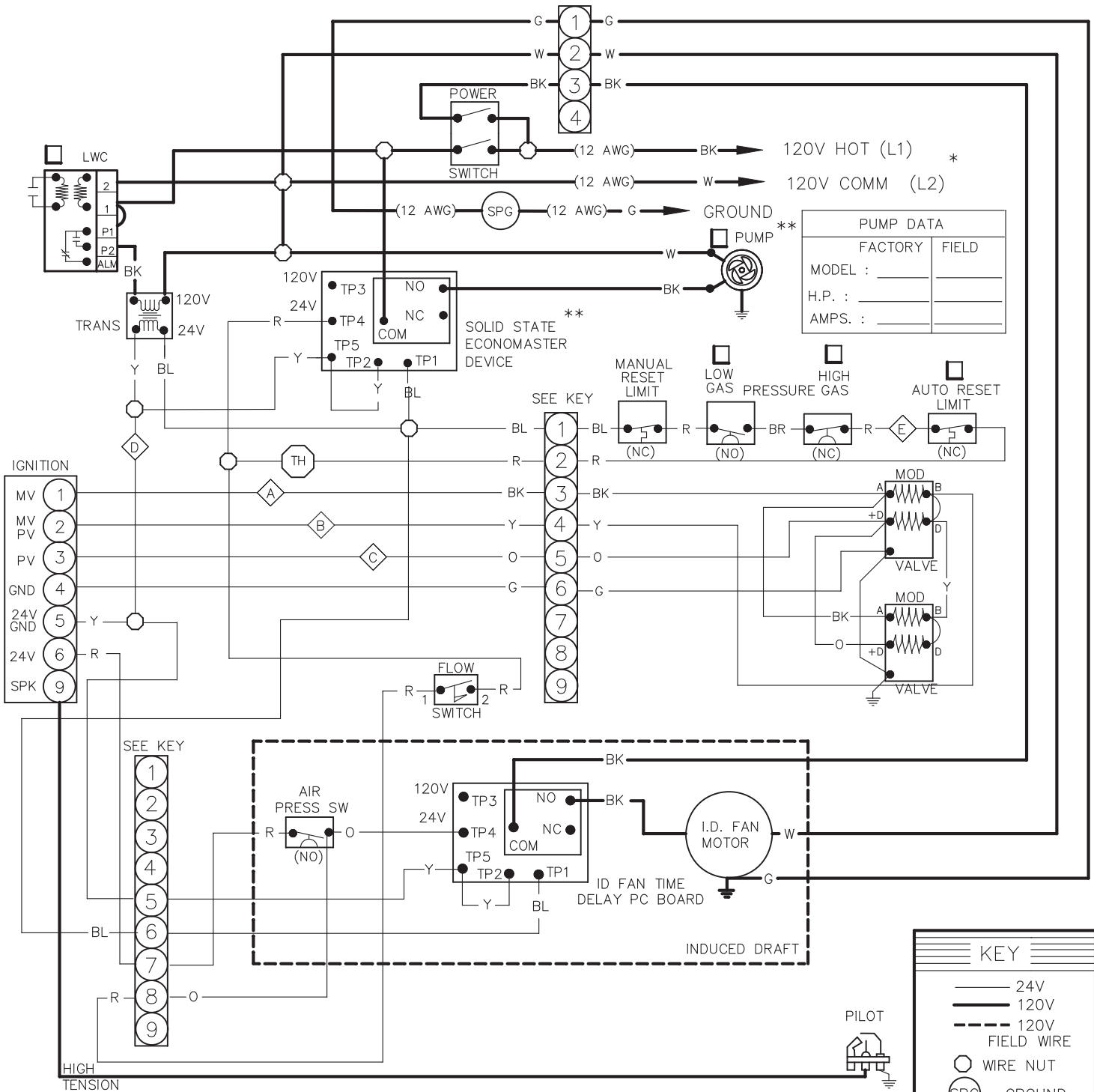
WIRING DIAGRAM IID/ECONOMASTER FIRING MODE – MECHANICAL MODULATION

BOILER INPUTS: 726,000 THRU 1,337,000 BTUH

BOILER SIZE: **724-1336**

BOILER TYPE: **H1, H5, W2**

KEY		
—	24V	
—	120V	
- - -	120V FIELD WIRE	
○	WIRE NUT	
⊕	GROUND	
BK	BLACK	
BR	BROWN	
R	RED	
O	ORANGE	
Y	YELLOW	
G	GREEN	
BL	BLUE	
V	VIOLET	
W	WHITE	
PLUG (ACTUAL)		
3	2	1
6	5	4
9	8	7
FRONT VIEW		



PUMP DATA	
FACTORY	FIELD
MODEL :	_____
H.P. :	_____
AMPS. :	_____

KEY		
—	24V	
—	120V	
- - -	120V FIELD WIRE	
○	WIRE NUT	
⊙	SPG GROUND	
BK	BLACK	
BR	BROWN	
R	RED	
O	ORANGE	
Y	YELLOW	
G	GREEN	
BL	BLUE	
V	VIOLET	
W	WHITE	
PLUG (ACTUAL)		
3	2	1
6	5	4
9	8	7
FRONT VIEW		

NOTES: * USE GROUND CONNECTION PROVIDED. FAILURE TO PROVIDE PROPER GROUND MAY RESULT IN LOCK-OUT ALL GROUND ≡ TERMINATE AT ⊙.

** PUMP USED MUST BE RATED 10 AMPS MAX OR 3/4 HP MAX PUMP DELAY ADJUSTABLE BETWEEN 3 AND 10 MINUTES.

⊙-E CONNECTIONS FOR OPTIONAL E-4 ALARM PANEL.

CHECK CONTROLS PROVIDED (WIRED AS SHOWN) REPLACE WIRING WITH 105°C WIRE ONLY

CHECKED BY:	
APPROVED BY:	
ORIG E.O.	2681
	07/11/94
CHG E.O.	5764
	06/28/17
Raupak	

WIRING DIAGRAM IID/ECONO INDUCED DRAFT FIRING MODE – MECHANICAL MODULATION

BOILER INPUTS: 726,000 THRU 1,337,000 BTUH

BOILER SIZE: **724-1336**

BOILER TYPE: **H1, H5, W2**

152359 6