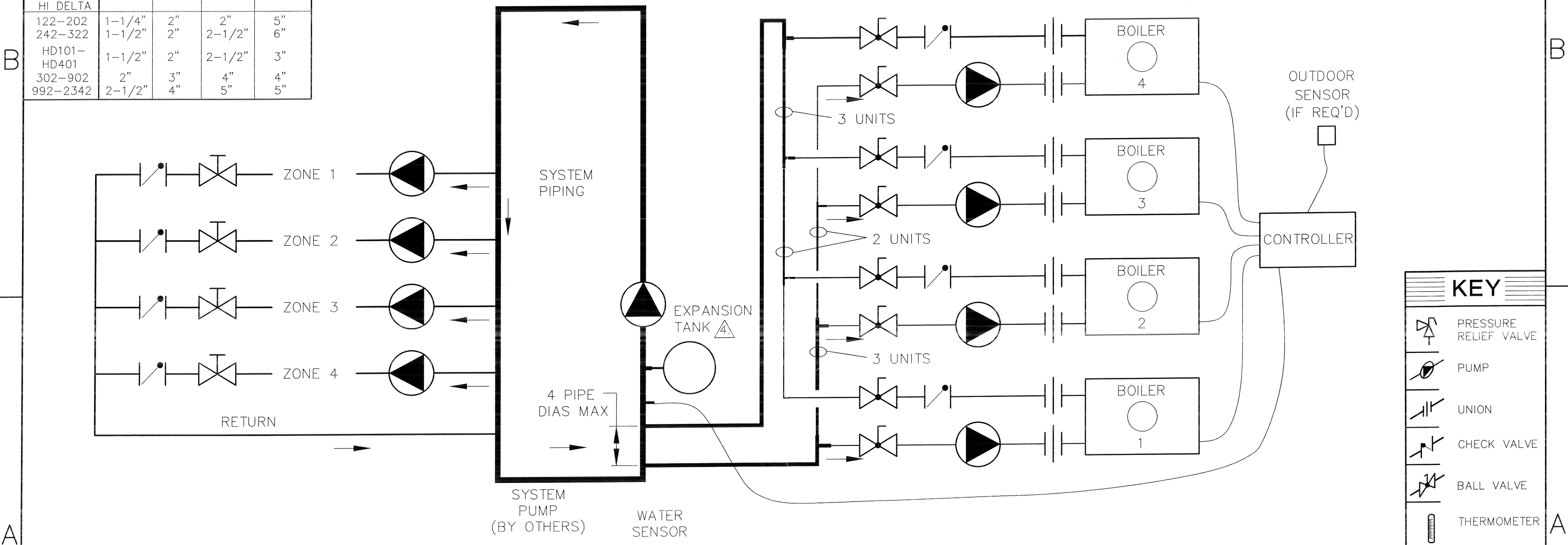


PIPE SIZES				
	BOILER	2 HTR	3 HTR	4 HTR
RAYTHERM				
133	1-1/4"	1-1/2"	2"	2-1/2"
181-401	1-1/2"	2"	2-1/2"	3"
514-824	2"	3"	4"	5"
926-1826	2-1/2"	3"	4"	5"
2100-4001	3"	4"	6"	8"
MVB				
503-754	2"	3"	4"	5"
1003-2004	2-1/2"	4"	4"	5"
HI DELTA				
122-202	1-1/4"	2"	2"	5"
242-322	1-1/2"	2"	2-1/2"	6"
HD101-HD401	1-1/2"	2"	2-1/2"	3"
302-902	2"	3"	4"	4"
992-2342	2-1/2"	4"	5"	5"

THIS PIPING DIAGRAM IS RAYPAK'S RECOMMENDATION AND IS NOT INTENDED TO REPLACE AN ENGINEERED PIPING SYSTEM DESIGNED BY A PROFESSIONAL ENGINEER.

REVISIONS					
REV	DESCRIPTION	E.O.	BY	DATE	CHECK
4	UPDATED FORMAT, NOTES. ADDED HD SIZES. REVISED PIPING LOGIC.		DRB	11-4-04	DRB
5	REVISED CHECK VALVE LOCATION.		RDN	06-14-06	DRB
6	UPDATED FORMAT, PIPE SIZE CHART, SYMBOLS. ADDED HEAT ZONES. UPDATED TITLE.		RAN	12-2-10	<i>RAN</i>



KEY	
	PRESSURE RELIEF VALVE
	PUMP
	UNION
	CHECK VALVE
	BALL VALVE
	THERMOMETER

- NOTES:
1. PLUMB SWING CHECK VALVE IN GRAVITY-CLOSED POSITION.
  2. PIPE ALL RELIEF VALVES TO DRAIN, OR AS LOCAL CODES REQUIRE.
  3. SEE CHART "PIPE SIZES" FOR PIPES SIZED AT MAX FLOW.
4. PROVIDE FOR THERMAL EXPANSION OF HOT WATER IF A BACKFLOW PREVENTER, CHECK VALVE, WATER METER OR PRESSURE-REDUCING VALVE IS INSTALLED IN THE COLD WATER LINE.

ACAD: 8049.DWG  
 BOILERS SHOWN REPRESENT VARIOUS MODELS. BECAUSE INDIVIDUAL MODELS WILL VARY IN DESIGN AND SIZING, SEE EACH SPECIFIC BOILER TYPE FOR DETAILS.

8049	UNLESS OTHERWISE SPECIFIED: ALL UNITS ARE IN INCHES FRACTIONS ±1/32 ANGLES ±1° X. = ±.12 X.X = ±.06 X.XX = ±.03 X.XXX = ±.010 DRAFT ____ WALL ____ RADII ____ CONCENTRICITIES .020 DIA. SQUARENESS .015 IN./IN. BREAK EDGES .015 MAX. SURFACE FINISH PER ASME Y14.36M-1996	APPROVED <i>[Signature]</i>	DATE 1/5/11	 OXNARD, CALIFORNIA E.O. SPR SCALE NONE RAYPAK PROPRIETARY AND CONFIDENTIAL INFORMATION This drawing contains Confidential and Proprietary Information of Raypak, Inc. All rights reserved by Raypak, Inc.		
	CHECKED D BALDWIN	DATE 6-19-96				
	DRAWN D BALDWIN	DATE 6-19-96				
TITLE PIPING, HYDRONIC: 4 BOILERS, PRI/SEC		MAT'L. 6	SERIES/MODEL H	SIZE B	DWG. NO. 8049	REV 6