

# 2008

## Parts & Accessories

for water heating systems

### *Contractor's Reference*

#### Preferred Parts

---

The premium line approved for replacement in

- Rheem® and Ruud® residential water heaters
- Rheem®-Ruud® commercial water heaters
- Richmond® residential water heaters
- PerfectFit™ commercial water heaters
- GE and Hotpoint residential water heaters

#### Universal Parts

---

The value line for all your replacement parts  
for most brands of water heaters



**National Parts** service center  
from Rheem



*Listings, Diagrams,  
Reference Guide, Displays  
and more!*

*relax*  
It's Rheem®

# ***Rheem Advantages***

*It is the goal of Rheem Parts to set the standard for the plumbing industry we serve, and to be the organization against which others are measured. We are market driven, and will continue to explore products and services that offer our customers a competitive advantage in the marketplace.*

## **Technology**

Rheem has significant research and development capability which allows us to offer the latest technology and product reliability to our customers.

## **Patented Products**

Rheem has a number of patented products that allow us to offer the highest quality replacement parts.

## **Customer Service**

Rheem has an industry leading customer service team that can provide fast and convenient answers to our customer's questions.

## **Brand Equity**

The Rheem and Ruud names are synonymous with quality and customer service and allows Rheem Parts and our partners to capitalize on this brand recognition with professional plumbers.

## **Business Partner**

Rheem is a proven business partner to our customers.

## **Sales Professionals**

Rheem Water Heating has an exceptional network of sales professionals to help our customers sell replacement parts.

## **Merchandising Opportunities**

Rheem Parts has taken the opportunity to complement our factory authorized Preferred Parts with Universal Parts and differentiate these by branding each with unique packaging and selling messages.

**National Parts** service center  
from Rheem



# The Water Heater **PARTS** Guide 2008

A comprehensive catalog of approved replacement parts for Rheem® and Ruud®, Richmond®, PerfectFit™, and all GE and Hotpoint water heaters.

## **General Terms and Conditions**

### **FREIGHT ALLOWANCE**

F.O.B. Plant, Randleman, North Carolina. Full freight allowed on ground shipping, within Continental United States on Preferred Parts orders of \$500.00 or more.

### **TAXES**

Prices are subject to the addition of any tax imposed by any present or future Federal, State, County or Municipal law on the sale of such material, unless we have a tax exemption certificate on file.

### **ACCEPTANCE OF ORDERS**

All orders are subject to final approval on the terms and conditions contained in our standard customer acknowledgment form.

### **MATERIALS RETURN**

Saleable, current component parts in a new or unused condition must have prior authorization. All new and unused parts returned without prior authorization will be sent back to the sender. Acceptance of such returns will be subject to our inspection and a 25% restocking charge. Parts being returned in accordance with warranty claim provisions do not require prior authorization, but will be subject to our inspection.

### **VOLUME DISCOUNT**

A 5% discount will be applied to all orders totalling \$1000.00 or more.

**Note:** Excludes Thermal Expansion Tanks and Protection Plus Kits.

## **Table of Contents**

### **Preferred Parts for Residential Water Heaters**

Elements .....	2-3
Preferred Parts Plumber's Pack .....	4
Thermostats .....	4
Replacement Parts.....	5-17

### **Preferred Parts for Commercial Water Heaters**

Replacement Parts.....	18-25
------------------------	-------

### **Universal Parts for Residential Water Heaters**

Elements.....	26
Universal Plumber's Pack .....	27
Replacement Parts.....	28-29

### **Parts Diagrams with Parts Lists**

Residential Water Heaters .....	30-54
Commercial Water Heaters.....	55-63

### **Parts Reference Guide**

Residential Water Heaters .....	64-69
Commercial Water Heaters.....	70-73

<b>Display and Planograms .....</b>	<b>74-77</b>
-------------------------------------	--------------

**Note: Please contact the Rheem National Customer Service Center at 1-800-621-5622 for items not listed in this guide.**

**To place your order call 1-800-621-5622; fax 1-800-535-9538**



## Resistored Stainless Steel Heating Elements

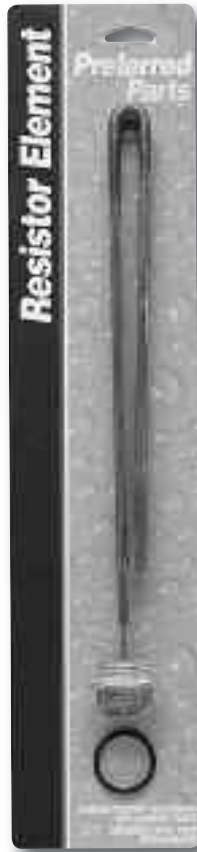
*Preferred Parts resistored stainless steel elements feature a low watt density design with an outer sheath of Incoloy® 800 to resist failure from "dry firing". Built in resistor helps prolong anode life for greater tank protection and longer working life.*

### SCREW-IN ELEMENTS

- **480V/2000W**, 9-1/2", LWD  
SP10870GL (Single)  
AP10870GL-3 (Bulk\*: 50)
- **480V/3000W**, 12-5/8", LWD  
SP10870JL (Single)  
AP10870JL-3 (Bulk\*: 50)
- **480V/4000W**, 16-1/4", LWD  
SP10870LL (Single)  
AP10870LL-3 (Bulk\*: 50)
- **480V/4500W**, 17-1/2", LWD  
SP10870ML (Single)  
AP10870ML-3 (Bulk\*: 50)
- **480V/5000W**, 19-1/8", LWD  
SP10870NL (Single)  
AP10870NL-3 (Bulk\*: 50)
- **480V/6000W**, 19-1/8", LWD  
SP10870QL (Single)  
AP10870QL-3 (Bulk\*: 50)
- **277V/2000W**, 9-1/2", LWD  
SP10871GL (Single)  
AP10871GL-3 (Bulk\*: 50)
- **277V/3000W**, 12-3/8", LWD  
SP10871JL (Single)  
AP10871JL-3 (Bulk\*: 50)
- **277V/4000W**, 16-1/4", LWD  
SP10871LL (Single)  
AP10871LL-3 (Bulk\*: 50)
- **277V/4500W**, LWD  
SP10871ML (Single)  
AP10871ML-3 (Bulk\*: 50)
- **277V/5000W**, 19-1/8", LWD  
SP10871NL (Single)  
AP10871NL-3 (Bulk\*: 50)
- **277V/6000W**, 19-1/8", LWD  
SP10871QL (Single)  
AP10871-QL-3 (Bulk\*: 50)
- **240V/2000W**, 9-1/2", LWD  
SP10869GL (Single)  
AP10869GL-5 (Bulk\*: 50)
- **240V/2500W**, 9-15/16", LWD  
SP10869HL (Single)  
AP10869HL-5 (Bulk\*: 50)
- **240V/3000W**, 12-3/8", LWD  
SP10869JL (Single)  
AP10869JL-5 (Bulk\*: 50)
- **240V/3500W**, 13-1/2", LWD  
SP10869KL (Single)  
AP10869KL-5 (Bulk\*: 50)
- **240V/4000W**, 16-1/4", LWD  
SP10869LL (Single)  
AP10869LL-5 (Bulk\*: 50)
- **240V/4500W**, 15-1/2", LWD  
SP10869ML (Single)  
AP10869ML-5 (Bulk\*: 50)
- **240V/4500W**, 13-1/2", MWD  
SP10869MM (Single)  
AP10869MM-5 (Bulk\*: 50)
- **240V/5000W**, 19-1/8", LWD  
SP10869NL (Single)  
AP10869NL-5 (Bulk\*: 50)
- **240V/5500W**, 13-1/2", HWD  
SP10869PH (Single)  
AP10869PH-5 (Bulk\*: 50)
- **240V/6000W**, 19-1/8", LWD  
SP10869QL (Single)  
AP10869QL-5 (Bulk\*: 50)
- **208V/2000W**, 9-1/2", LWD  
SP10867GL (Single)  
AP10867GL-3 (Bulk\*: 50)
- **208V/3000W**, 12-5/8", LWD  
SP10867JL (Single)  
AP10867JL-3 (Bulk\*: 50)
- **208V/4000W**, 16-1/4", LWD  
SP10867LL (Single)  
AP10867LL-3 (Bulk\*: 50)
- **208V/4500W**, 17-1/2", LWD  
SP10867ML (Single)  
AP10867ML-3 (Bulk\*: 50)
- **208V/5000W**, 19-1/8", LWD  
SP10867NL (Single)  
AP10867NL-3 (Bulk\*: 50)
- **208V/6000W**, 19-1/8", LWD  
SP10867QL (Single)  
AP10867QL-3 (Bulk\*: 50)
- **120V/1440W**, 7-11/16", HWD  
SP10868LH (Single)  
AP10868LH-5 (Bulk\*: 50)
- **120V/1700W**, 13-1/2", LWD  
SP10868KL (Single)  
AP10868KL-5 (Bulk\*: 50)
- **120V/2000W**, 9-1/2", LWD  
SP10868GL (Single)  
AP10868GL-5 (Bulk\*: 50)

\* Elements may be ordered in bulk. Box consists of 50 elements and 50 gaskets of the same part number.

HWD = High Watt Density  
MWD = Medium Watt Density  
LWD = Low Watt Density



## Restored Copper Heating Elements

*Preferred Parts energy efficient resistor copper heating elements help fight lime build up and the resistor feature helps prolong the tank life of the water heater.*

### SCREW-IN ELEMENTS

- **240V/1500W**, 10-5/8", LWD  
SP10552FL (Single)  
AP10552FL-3 (Bulk\*: 50)
- **240V/2000W**, 7-11/16", HWD  
SP10552GH (Single)  
AP10552GH-3 (Bulk\*: 50)
- **240V/2000W**, 13-5/8", LWD  
SP10552GL (Single)  
AP10552GL-3 (Bulk\*: 50)
- **240V/2500W**, 9-7/16", HWD  
SP10552HH (Single)  
AP10552HH-3 (Bulk\*: 50)
- **240V/3000W**, 10-5/8", HWD  
SP10552JH (Single)  
AP10552JH-3 (Bulk\*: 50)
- **240V/3000W**, 11-11/16", LWD  
SP10552JL (Single)  
AP10552JL-3 (Bulk\*: 50)
- **240V/3500W**, 13-3/8", LWD  
SP10552KL (Single)  
AP10552KL-3 (Bulk\*: 50)
- **240V/4000W**, 13-3/8", LWD  
SP10552LL (Single)  
AP10552LL-3 (Bulk\*: 50)
- **240V/4500W**, 13-5/8", HWD  
SP10552MH (Single)  
AP10552MH-3 (Bulk\*: 50)
- **240V/4500W**, 13-3/4", LWD  
SP10552ML (Single)  
AP10552ML-3 (Bulk\*: 50)
- **240V/5000W**, 13-3/4", LWD  
SP10552NL (Single)  
AP10552NL-3 (Bulk\*: 50)
- **240V/5500W**, 13-1/2", HWD  
SP10552PH (Single)  
AP10552PH-3 (Bulk\*: 50)
- **240V/5500W**  
SP10552PL (Single)  
AP10552PL-3 (Bulk\*: 50)
- **240V/6000W**, 11-3/4", HWD  
SP10552QH (Single)  
AP10552QH-3 (Bulk\*: 50)
- **240V/6000W**  
SP10552QL (Single)  
AP10552QL-3 (Bulk\*: 50)
- **208V/2000W**, 7-11/16", HWD  
SP10872GH (Single)  
AP10872GH-2 (Bulk\*: 50)
- **208V/2000W**, 13-5/8", LWD  
SP10872GL (Single)  
AP10872GL-2 (Bulk\*: 50)
- **208V/2500W**, 9-7/16", HWD  
SP10872HH (Single)  
AP10872HH-2 (Bulk\*: 50)

- **208V/3000W**  
SP10872JH (Single)  
AP10872JH-2 (Bulk\*: 50)
- **208V/3000W**, 11-11/16", LWD  
SP10872JL (Single)  
AP10872JL-2 (Bulk\*: 50)
- **208V/4000W**, 13-3/8", LWD  
SP10872LL (Single)  
AP10872LL-2 (Bulk\*: 50)
- **208V/4500W**  
SP10872MH (Single)
- **208V/4500W**, 13-3/4", LWD  
SP10872ML (Single)  
AP10872ML-2 (Bulk\*: 50)
- **208V/5000W**, 13-3/4", LWD  
SP10872NL (Single)  
AP10872NL-2 (Bulk\*: 50)
- **208V/5500W**, 13-7/16", LWD  
SP10872PL (Single)  
AP10872PL-2 (Bulk\*: 50)
- **208V/6000W**, 11-3/4", HWD  
SP10872QH (Single)  
AP10872QH-2 (Bulk\*: 50)
- **208V/6000W**, 15-1-16", LWD  
SP10872QL (Single)  
AP10872QL-2 (Bulk\*: 50)
- **120V/1500W**, 7-11/16", HWD  
SP10874FH (Single)  
AP10874FH-2 (Bulk\*: 50)
- **120V/1700W**, 11-1/2", LWD  
SP10874KL (Single)  
AP10874KL-2 (Bulk\*: 50)
- **120V/2000W**, 7-11/16", HWD  
SP10874GH (Single)  
AP10874GH-2 (Bulk\*: 50)
- **120V/2500W**, 9-7/16", HWD  
SP10874HH (Single)  
AP10874HH-2 (Bulk\*: 50)
- **120V/3000W**, 10-5/8", HWD  
SP10874JH (Single)  
AP10874JH-2 (Bulk\*: 50)

### OPEN COIL ELEMENTS

- **120V/1500W**  
AP13169
- **120V/2000W**  
AP13170
- **240V/1500W**  
AP13171
- **240V/2000W**  
AP13172

\* Elements may be ordered in bulk. Box consists of 50 elements and 50 gaskets of the same part number.

HWD = High Watt Density  
MWD = Medium Watt Density  
LWD = Low Watt Density



# RESIDENTIAL Preferred Parts®

The premium line of approved replacement parts.



Plumber's Pack

## Preferred Parts Plumber's Pack

The plumber's pack is an all-inclusive "tune-up" kit for electric water heaters featuring the most popular replacement parts on the market.

**Plumber's Pack Kit** - includes two resistored 4500 watt screw-in copper heating elements, two heating element gaskets, and upper & lower thermostats (all of which are factory preferred replacement quality)  
SP20060 (single)

## Gas Thermostats

- **Robertshaw LP Gas Thermostat** - (57-160 degrees) control valve with left hand main burner outlet threads with 1 1/4" shank - single use high limit (200 degrees) - 1/2" inlet & outlet  
SP12258B (single)  
SP12258N (single)
- **Robertshaw Convertible Natural and LP Gas Thermostat** - (150 degree max) for Manufactured Housing with 1 1/4" shank - single use high limit (195 degree)  
SP9051B (single)
- **Robertshaw Natural Gas Thermostat** - (57-160 degrees) control valve with 1 1/4" shank - single use high limit (200 degrees) - 1/2" inlet & outlet  
SP8555B (single)
- **Robertshaw Natural Gas Thermostat** - (57-160 degrees) control valve with 2 7/8" shank - single use high limit (200 degrees) - 1/2" inlet & outlet  
SP8555P (single)



### Gas Thermostats:

- Designed to sense the water temperature inside the tank, and control on/off function of the main burner assembly

## Electric Thermostats\*

- **Therm-O-Disc Upper Thermostat** (max 150 degree) & High Limit (170 degree) - Two element non-simultaneous 208, 240, 277, 480 volt  
SP11698 (single)
- **Therm-O-Disc Upper Thermostat** (max 150 degree) & High Limit (170 degree) - Two element simultaneous 208, 240, 277, 480 volt  
SP11699 (single)
- **Therm-O-Disc Upper Thermostat** (max 150 degree) & High Limit (170 degree) - Single element 120 volt  
SP11700 (single)
- **Therm-O-Disc Lower Thermostat** (max 150 degrees) simultaneous and non-simultaneous 208,240,277,480 volt  
SP11695 (single)
- **Adapter Kit** - (1) flat gasket, (1) round gasket, (1) element adapter  
SP6830 (single)



### Electric Thermostats:

- Temperature range of 100° F to 150° F
- Models are available for upper and lower heating elements on double element 240V and single element 120V water heaters

\* Electric thermostats may be ordered in bulk. Box consists of 50 thermostats of the same part number. Bulk pricing is less than the single price. Please call for pricing.

## Electric Thermostat Covers

- **Upper Thermostat Cover**  
AP8313-9 (single)
- **Lower Thermostat Cover**  
AP8314-9 (single)



Preferred Parts™ Electric Thermostat Covers

To place your order call 1-800-621-5622; fax 1-800-535-9538



### Thermocouple

This bi-metal device detects pilot flame heat and carries millivolt current to the magnet assembly in the gas control valve which sends gas to the burner assembly to ignite the burner.

## Thermocouples

- **15" Thermocouple**  
SP6379E (single)
- **17" Thermocouple**  
SP6379K (single)
- **21" Thermocouple**  
SP6379C (single)
- **24" Thermocouple**  
SP6379R (single)
- **30" Thermocouple**  
SP6379H (single)



### Pilot Burner

Designed to light the main burner when the thermostat senses the demand for more heat.

## Pilot Burner Assemblies

- **Natural Gas Pilot Burner Assembly** - .0115 orifice  
SP8980B (single)
- **LP Gas Pilot Burner Assembly** - .008 orifice - colored red for easy LP identification  
SP8980C (single)



### T & P Relief Valve:

Safety device that allows water to escape from the tank in the unlikely event that the temperature or pressure becomes excessive. Designed to operate at approx. 150 PSI and 210° F.

## Temperature & Pressure Relief Valves

- **Watts 100XL-4;** 3/4" inlet x 3/4" discharge - M150# (150 PSI pressure / 210 degree temperature) up to 100,000 BTU  
SP12574 (single)
- **Watts 100XL;** 3/4" inlet x 3/4" discharge (150 PSI pressure / 210 degree temperature) - long shank up to 100,000 BTU  
SP8346 (single)
- **T&P Extender;** 3/4" x 2-1/2" Poly Liner  
SP11620 (single)



### Drain Valve:

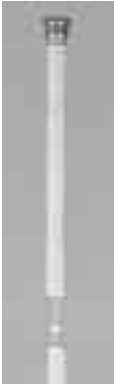
Used to drain hot water from the tank when performing periodic cleaning or replacing a part.

## Drain Valves

- **Brass Drain Valve;** 3/4" x 2 1/4" shank  
SP6070G (single)
- **Brass Drain Valve;** 3/4" x 3" shank - Commercial Light Duty  
SP6070S (single)
- **Standard Melet;** 3/4" NPT x 2 1/4" shank  
SP12039 (single)
- **Brass Drain Valve;** 3/4" x 2 1/4" shank – Residential  
SP12112G (single)

## Gas Connectors

- **12" Stainless Steel Gas Connector MIP X MIP**  
AP13140A
- **18" Stainless Steel Gas Connector MIP X MIP**  
AP13140B
- **24" Stainless Steel Gas Connector MIP X MIP**  
AP13140C
- **48" Pro Coat Gas Connector**  
AP13318D



### **Flexible Link Anode Rod:**

Metallic rod installed inside the tank to protect against corrosion. The "R-Tech"™ anode rod is made of magnesium and is designed to offer the longest lasting tank protection.



### **Dip Tube**

Non-metallic. Runs from the cold water inlet to deliver cold water to the bottom of the tank as hot water is drawn out.



**Basic Installation Kit**

## **Anode Rods**

- **R Tech Resistor Magnesium Anode Rod** 44" long x .700 dia  
SP11309C (single)
- **Galvo Magnesium** 44" long x .840 dia  
SP11345C (single)
- **Magnesium Anode Rod** 44" long x .840 dia  
SP11524C (single)
- **Magnesium Anode Rod** 58" long x .840 dia  
SP11524Z (single)
- **R Tech Resistor Magnesium Anode Rod** 44" long x .900 dia  
SP11526C (single)
- **R Tech Resistor Magnesium flexible link Anode Rod**  
52" long - 12" sections  
SP8371B (single)
- **Aluminum Anode Rod** 42" long x .625 dia  
AP12938 (single)

## **Dip Tubes\***

- **Dip Tube with anti-siphon hole** - 3/4" x 54" long - clear (North Carolina code) with gasket  
SP11251R (single)
- **Dip Tube with anti-siphon hole** - 1" x 26" long with gasket  
SP11269C (single)
- **Dip Tube with anti-siphon hole** - 3/4" x 54" long with gasket  
SP11248R (single)

\* Due to the unique application of the EverKleen Dip Tube, please call for part number and pricing. Have the model number and serial number of the water heater on hand.

## **Installation Kits**

- **Basic Installation Kit**  
SP20009
- **Gas Installation Kit**  
SP20010
- **Electric Installation Kit**  
SP20011





**PARTS DIAGRAM  
ON PAGE 47**

## FVIR (Flammable Vapor Ignition Resistant) Parts

### Robertshaw Parts

- Gas Valve – Natural Gas  
SP8555S
- Gas Valve – Natural Gas  
SP8555R
- Gas Valve – Natural Gas  
SP8555U
- Gas Valve – Natural Gas  
SP8555W
- Gas Valve – Natural Gas  
SP8555T
- Gas Valve – LP  
SP13160E
- Gas Valve – LP  
SP13160A
- Gas Valve – LP  
SP13160D
- Pilot Assembly – Natural Gas  
SP20065
- Pilot Assembly – Natural Gas  
SP20069
- Pilot Assembly – LP  
SP20070
- Pilot Assembly – Natural Gas  
SP20071
- Pilot Assembly – LP  
SP20072
- Pilot Assembly – Natural Gas  
SP20075
- Pilot Assembly – LP  
SP20076
- Thermocouple Kit  
SP20064
- Piezo Ignitor  
SP14410

### White-Rodgers Parts

- Gas Valve – Natural Gas  
SP14270G
- Gas Valve – Natural Gas  
SP14270H
- Gas Valve – Natural Gas  
SP14270K
- Gas Valve – Natural Gas  
SP14270M
- Gas Valve – Natural Gas  
SP14339B
- Gas Valve – LP  
SP14269A
- Gas Valve – LP  
SP14269D
- Gas Valve – LP  
SP14269E
- Gas Valve – LP  
SP14340C
- Pilot Assembly Kit – Natural Gas  
SP20127
- Pilot Assembly Kit – LP  
SP20128
- Thermocouple Kit  
SP20129
- Piezo Ignitor  
AP14316

### Common Service Parts

- Heat Traps  
SP20063
- Brass Drain Valve  
SP12112G
- Relief Valve  
SP12575B
- Gasket Kit  
SP20063

## FVIR Standing Pilot Parts: 30, 40 and 50 Gallon Standing Pilot Models (Excluding Direct Vent and PowerVent models)

### Cross Reference – Models with Robertshaw Controls

Service Parts – Robertshaw Controls							
Rheem Model	Ruud Model	Gas Valve (NG)	Gas Valve (LP)	Pilot Assy Kit (NG)	Pilot Assy Kit (LP)	Thermo-couple Kit	Gasket Kit
<b>PROFESSIONAL SERIES WITH THE GUARDIAN SYSTEM - 30, 40 and 50 Gallon Capacities</b>							
22V40 PROF	P2-40 PROF	SP8555S	N/A	SP20075	N/A	SP20064	SP20063
42V40 PROF	PH2-40 PROF	SP8555S	SP13160E		SP20076		
RHG PRO40-40F	RUG PRO40-40F	SP8555T	SP13160D		SP20076		
22V50 PROF	P2-50 PROF	SP8555S	N/A		N/A		
42V50-40 PROF	PH2-50-40 PROF	SP8555R	SP13160E		SP20076		
RHG PRO50-40F	RUG PRO50-40F	SP8555T	SP13160D		SP20076		
RHG PRO50-50F	RUG PRO50-50F	SP8555W	N/A		N/A		
42V40SPROF	PH2-40SPROF	SP8555S	SP13160E		SP20076		
42V50SPROF	PH2-50SPROF	SP8555R	AP13160A		SP20076		
<b>FURY SERIES WITH THE GUARDIAN SYSTEM - 30, 40 and 50 Gallon Capacities</b>							
42VR40-40F	PH2R40-40F	SP8555T	SP13160D	SP20075	SP20076	SP20064	SP20063
42VR50-40F	PH2R50-40F	SP8555T	SP13160D		SP20076	SP20064	
22V30F	P2-30F	SP8555S	SP13160A		SP20076	SP20069	
22V40-36F1	P40-36F1	SP8555S	N/A		N/A	SP20064	
22V40F1	P2-40F1	SP8555S	N/A		N/A		
42V40F	PH2-40F	SP8555R	SP13160E		SP20076		
22V50F1	P2-50F1	SP8555S	N/A		N/A		
42V50-40F	PH2-50-40F	SP8555R	SP13160E		SP20076		
42V50-50F	PH2-50-50F	SP8555W	N/A		N/A		
22V30S-30F	P2-30S-30F	SP8555R	N/A		N/A		
22V40SF	P2-40SF	SP8555S	SP13160A		SP20076		
42V40SF	PH2-40SF	SP8555S	SP13160A		SP20076		
42V50SF	PH50SF	SP8555S	SP13160A		SP20076		

## FVIR Standing Pilot Parts: 30, 40, 50, 60 and 75 Gallon Standing Pilot Models (Excluding Direct Vent and PowerVent models)

### Cross Reference – Models with White-Rodgers Controls

Service Parts – White-Rodgers Controls (Sept. 2007)										
Rheem Model	Ruud Model	Gas Valve (NG)	Gas Valve (LP)	Pilot Assy Kit (NG)	Pilot Assy Kit (LP)	Thermo-couple Kit	Gasket Kit			
<b>PROFESSIONAL SERIES WITH THE GUARDIAN SYSTEM - 30, 40, 50 and 60 Gallon Capacities</b>										
22V40 PROF	P2-40 PROF	SP14270G	N/A	SP20127	N/A	SP20129	SP20063			
42V40 PROF	PH2-40 PROF	SP14270G	SP14269A		SP20128					
RHG PRO40-40F	RUG PRO40-40F	SP14270H	SP14269D		SP20128					
22V50 PROF	P2-50 PROF	SP14270G	N/A		N/A					
42V50-40 PROF	PH2-50-40 PROF	SP14270F	SP14269E		SP20128					
RHG PRO50-40F	RUG PRO50-40F	SP14270H	SP14269D		SP20128					
RHG PRO50-50F	RUG PRO50-50F	SP14270K	N/A		N/A					
42V40SPROF	PH2-40SPROF	SP14270G	SP14269E		SP20128					
42V50SPROF	PH2-50SPROF	SP14270F	SP14269A		SP20128					
RHGPRO60F	RUGPRO60F	SP14270M	SP14269A		SP20128					
<b>FURY SERIES WITH THE GUARDIAN SYSTEM - 30, 40, 50 and 60 Gallon Capacities</b>										
42VR40-40F	PH2R40-40F	SP14270H	SP14269D	SP20127	SP20128	SP20129	SP20063			
42VR50-40F	PH2R50-40F	SP14270H	SP14269D		SP20128					
22V30F	P2-30F	SP14270G	SP14269A		SP20128					
22V40-36F1	P40-36F1	SP14270G	N/A		N/A					
22V40F1	P2-40F1	SP14270G	N/A		N/A					
42V40F	PH2-40F	SP14270F	SP14269E		SP20128					
22V50F1	P2-50F1	SP14270G	N/A		N/A					
42V50-40F	PH2-50-40F	SP14270F	SP14269E		SP20128					
42V50-50F	PH2-50-50F	SP14270K	N/A		N/A					
22V30S-30F	P2-30S-30F	SP14270F	N/A		N/A					
22V40SF	P2-40SF	SP14270G	SP14269A		SP20128					
42V40SF	PH2-40SF	SP14270G	SP14269A		SP20128					
42V50SF	PH50SF	SP14270G	SP14269A		SP20128					
42V60F	PH2-60F	SP14270M	SP14269A		SP20128					
<b>PROFESSIONAL AND FURY SERIES WITH THE GUARDIAN SYSTEM - 75 Gallon Capacity</b>										
RHGPRO75F	RUGPRO75F	SP14339	SP14340		SP20127			SP20128	SP20129	SP20063
42V75F	PH2-75F	SP14339	SP14340	SP20127	SP20128	SP20129	SP20063			



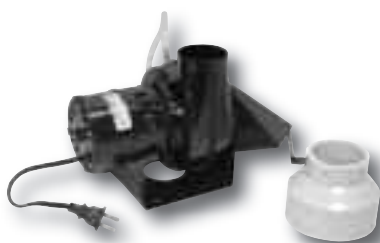
**Natural Gas Control Valve**



**Ignition Control**



**Pilot Burner and Ignitor Sensor:**



**Blower Motor Assembly**

## PowerVent Replacement Parts

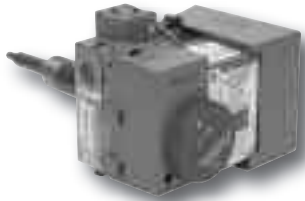
- **Honeywell 24V Natural Gas Control Valve**, PowerVent Series, 1/2" inlet x 3/8" outlet - 40/50/75 gallon Residential and Commercial models  
SP11652B (single)
- **Natural Gas Valve (1992-1995)**  
SP10886B (single)
- **Honeywell 24V LP Gas Control Valve**, PowerVent Series, 1/2" inlet x 3/8" outlet - 40/50/75 gallon Residential and Commercial models  
SP11652C (single)
- **LP Gas Valve (1992-1995)**  
SP10886C (single)
- **Honeywell Ignition Control** - S8600M - Continuous Retry - 24V - used with electronic ignition system  
SP10763C (single)
- **Honeywell Ignition Cable** - 25 inch - 1/4" disconnect with rubber boot on pilot end  
SP8828G (single)
- **Three Try Ignition Control** for Hot Surface Ignition Models  
SP10758 (single)
- **Therm-O-Disc Residential Thermostat** (max 140 degrees) and high limit (180 degrees) 40, 50 & 75 gallon residential  
SP12390 (single)
- **Therm-O-Disc Residential Thermostat** (max 160 degrees) and high limit (190 degrees) 75 gallon commercial only  
SP12391 (single)
- **Honeywell Pilot Burner and Ignitor Sensor** - Electronic Ignition - Natural Gas - 40-50 gallon  
SP12049B (single)
- **Honeywell Pilot Burner and Ignitor Sensor** - Electronic Ignition - LP Gas - 40-50 gallon  
SP12049C (single)
- **Honeywell Pilot Burner and Ignitor Sensor** - Electronic Ignition - Natural Gas - 75 gallon  
SP12049D (single)
- **Honeywell Pilot Burner and Ignitor Sensor** - Electronic Ignition - LP Gas - 75 gallon  
SP12049E (single)
- **Hot Surface Ignitor** - 115V, 1800 degree F, with 19" female quick connect leads - Natural or LP  
SP10972 (single)
- **Pressure Switch**  
SP11875 (single)
- **Pressure Switch (Prior to June, 1991)**  
SP10887K (single)
- **Transformer**, 120VAC to 24VAC  
SP11787 (single)
- **Blower Motor Assembly** 40, 50 gallon standard  
AP10983-4 (single)
- **Blower Motor Assembly** 40, 50 gallon - High Altitude only  
AP10984-3 (single)
- **Blower Motor Assembly** 75 gallon residential or commercial  
SP11608 (single)



**PARTS DIAGRAM  
ON PAGES 50**



**Blower Assembly**



**Wiper Control and Gas Valve Assembly**



**PARTS DIAGRAM  
ON PAGE 52**

## PowerVent 2 Replacement Parts

- **Blower Assembly** - Integrated vent hood, includes installed vacuum switch (SP12766), power cord, and vent coupling (SP12638). This fits the PowerVent 2 product only.  
SP12562 (single)
- **Anode Rod**  
SP11309C (single)
- **Flue Baffle with hanger** (has extra resistors)  
AM39341 (single)
- **Temperature & Pressure Relief Valve**  
SP8346 (single)
- **Dip Tube**  
SP11251R (single)
- **Dip Tube Gasket**  
AP6948-3 (single)
- **Drain Valve**  
SP12112S (single)
- **Drain Valve Shroud**  
AP9167 (single)
- **Inner Door**  
AM29501 (single)
- **Outer Door**  
AM29254-4C (single)
- **Protective Cover** (cover for wiper control)  
AP12558 (single)
- **Burner Assembly** (40 Gal Natural Gas - Low NOx)  
AM39503RY (single)
- **Burner Assembly** (40 Gal LP Gas)  
AM39504RM (single)
- **Burner Assembly** (50 Gal Natural Gas - Low NOx)  
AM39503SY (single)
- **Burner Assembly** (50 Gal LP Gas)  
AM39504SM (single)
- **Heat Trap Kit**  
SP20003 (single)
- **Terminal Vent Assembly**  
AM39508 (single)
- **2-inch 45 Degree PVC**  
AP12646 (single)
- **Vacuum Tube**  
AP12768 (single)
- **Vent Coupling**, 2" rubber coupling with clamps. Connects blower to 2" PVC pipe. This fits the PowerVent 2 product only.  
SP12638 (single)
- **Spark Ignitor and Pilot Assembly** - Natural Gas. This fits the PowerVent 2 product only.  
SP12560B (single)
- **Spark Ignitor and Pilot Assembly** - LP Gas. This fits the PowerVent 2 product only.  
SP12560C (single)
- **Wiper Control and Gas Valve Assembly** - Natural Gas, includes wire cover. This fits the PowerVent 2 product only.  
SP12556 (single)
- **Wiper Control and Gas Valve Assembly** - LP Gas, includes wire cover. This fits the PowerVent 2 product only.  
SP12557 (single)
- **Pressure Switch**. This fits the PowerVent 2 product only.  
SP12766 (single)
- **On/Off Switch**  
AP12767 (single)
- **Blower Motor** (VR units only)  
AP13194 (single) (For 41VRP50-55 only)
- **Blower Motor** (22VRP75)  
AP13211-1 (single)
- **Pressure Switch** (22VRP75)  
SP20130



*Intelli-Vent Gas Valve*



*FV Sensor*



**PARTS DIAGRAM  
ON PAGE 54-56**

## PowerVent with the Guardian System™ Replacement Parts

### Parts Specific to Models Manufactured with Robertshaw gas control valves between July 2006 and October 2007

- **Pilot Assembly – Natural Gas Models**  
SP13418  
SP13420  
SP13422  
SP13424
- **Pilot Assembly – LP Gas Models**  
SP13419  
SP13421  
SP13423  
SP13425
- **FV Wiper Control and Gas Valve Assembly – Natural Gas Models**  
SP13458  
SP13458D
- **FV Wiper Control and Gas Valve Assembly – LP Gas Models**  
SP13459  
SP13459B
- **Control – FV Wiper Electronics**  
SP20123B
- **FV Sensor / FV Wiper Replacement Kit**  
SP13447B

### Parts Specific to Models Manufactured with White-Rodgers gas control valves October 2007 to Present

- **Intelli-Vent Gas Valve – Natural Gas**  
SP13845A  
SP13845B
- **Intelli-Vent Gas Valve – LP Gas**  
SP13846A  
SP13846B
- **Hot Surface Ignitor – All White-Rodgers Models**  
SP14218B

### Common Service Parts

- **Blower Assembly – High Performance**  
SP13416
- **Blower Assembly – Low Noise**  
SP13605
- **Blower Assembly**  
SP14140
- **Blower Assembly**  
AP14378
- **Anode Rod**  
SP11903C
- **Temperature & Pressure Relief Valve**  
SP8346
- **Temperature & Pressure Relief Valve**  
SP12574
- **Drain Valve**  
SP12112G
- **Heat Trap Kit**  
SP20003
- **Inner Door Gasket Kit**  
SP20063
- **FV Sensor and Snap Cap**  
(Note: Sensor and Snap Cap must be ordered together)  
AP13447 FV Sensor  
AP13450 Snap Cap
- **Vacuum Switch – For use with 40 and 50 Gallon Tall Models**  
SP20116
- **Vacuum Switch – For use with 40 and 50 Gallon Short Models**  
SP20117
- **Vacuum Switch – For use with 60 Gallon Models**  
SP20116A
- **Vacuum Switch – For use with 75 Gallon Models**  
SP20117A



*Hot Surface Ignitor*



## PowerVent with the Guardian System™ Parts Cross Reference Chart

Rheem Model	Ruud Model	Gas Valve – Natural Gas	Gas Valve – LP Gas	Pilot Assy. Replacement Kit (NG)	Pilot Assy. Replacement Kit (LP)	Blower Assembly	Gasket Kit	Relief Valve
<b>RHEEM AND RUUD MODELS WITH ROBERTSHAW GAS CONTROL VALVES</b>								
42VP40F	PVP40F	SP13458	SP13459	SP13418	SP13419	SP13416	SP20063	SP8346
42VP50F	PVP50F	SP13458	SP13459	SP13422	SP13421	SP13416	SP20063	SP8346
42VP40SF	PVP40SF	SP13458D	SP13459B	SP13420	SP13423	SP13605	SP20063	SP12574
42VP50SF	PVP50SF	SP13458D	SP13459B	SP13424	SP13425	SP13605	SP20063	SP12574

Rheem Model	Ruud Model	Gas Valve – Natural Gas	Gas Valve – LP Gas	Hot Surface Ignitor Kit	Blower Assembly	Gasket Kit	Relief Valve
<b>RHEEM AND RUUD MODELS WITH WHITE-RODGERS GAS CONTROL VALVES</b>							
42VP40FW	PVP40FW	SP13845A	SP13846A	SP14281B	SP13416	SP20063	SP8346
42VP50FW	PVP50FW	SP13845A	SP13846A	SP14281B	SP13416	SP20063	SP8346
42VP40SFW	PVP40SFW	SP13845B	SP13846B	SP14281B	SP13605	SP20063	SP12574
42VP50SFW	PVP50SFW	SP13845B	SP13846B	SP14281B	SP13605	SP20063	SP12574
42VP60FW	PVP60FW	SP13845B	SP13846B	SP14281B	SP14140	SP20063	SP12574
42VP75FW	PVP75FW	SP13845A	SP13846A	SP14281B	AP14378	SP20063	SP12575



## Direct Vent with the Guardian System™ Replacement Parts

- White-Rodgers Gas Valve – NG  
SP14270K
  - White-Rodgers Gas Valve – LP  
SP14269E
  - White-Rodgers Pilot Assembly Kit – NG  
SP20159
  - White-Rodgers Pilot Assembly Kit – LP  
SP20160
  - White-Rodgers Thermocouple Kit  
SP20129
  - Gasket Kit  
SP20063
- Brass Drain Valve  
SP12112G
  - Relief Valve  
SP12576C
  - 4' Horizontal Vent Extension Kit  
SP20131
  - 4' Vertical Vent Extension Kit  
SP20132
  - Piezo Ignitor  
AP14316

**PARTS DIAGRAM  
ON PAGE 57**

## Direct Vent with the Guardian System™ Parts Cross Reference Chart

Rheem Model	Ruud Model	Gas Valve – NG	Gas Valve – LP	Pilot Assy. Replacement Kit – NG	Pilot Assy. Replacement Kit – LP	Thermocouple Replacement Kit	Gasket Kit	Relief Valve
<b>RHEEM FURY SERIES / RUUD PACEMAKER SERIES</b>								
22DV40F	PH2DV40F	SP14270K	SP14269E	SP20159	SP20160	SP20129	SP20063	SP12576C
22DV50F	PH2DV50F	SP14270K	SP14269E	SP20159	SP20160	SP20129	SP20063	SP12576C

## Ultra Low NOx with the Guardian System™ Replacement Parts

- |   |  |   |
|---|--|---|
| <ul style="list-style-type: none"> <li>• Combustion Chamber Maintenance Gasket Kit<br/>SP20135</li> <li>• Combustion Chamber Maintenance Gasket Kit<br/>SP20136</li> <li>• Combustion Chamber Maintenance Gasket Kit<br/>SP20137</li> <li>• Pilot Assembly Replacement Kit<br/>SP20138</li> <li>• Pilot Assembly Replacement Kit<br/>SP21039</li> <li>• Pilot Assembly Replacement Kit<br/>SP20140</li> <li>• Pilot Assembly Replacement Kit<br/>SP20141</li> <li>• Pilot Assembly Replacement Kit<br/>SP20142</li> <li>• Thermocouple Replacement Kit<br/>SP20143</li> <li>• Thermocouple Replacement Kit<br/>SP20144</li> </ul> | <ul style="list-style-type: none"> <li>• Thermocouple Replacement Kit<br/>SP20145</li> <li>• Thermocouple Replacement Kit<br/>SP20146</li> <li>• Thermocouple Replacement Kit<br/>SP20147</li> <li>• Burner Assembly Replacement Kit<br/>SP20148</li> <li>• Burner Assembly Replacement Kit<br/>SP20149</li> <li>• Burner Assembly Replacement Kit<br/>SP20150</li> <li>• Burner Assembly Replacement Kit<br/>SP20151</li> <li>• Burner Assembly Replacement Kit<br/>SP20152</li> <li>• Inner Door Assembly Replacement Kit<br/>SP20153</li> <li>• Inner Door Assembly Replacement Kit<br/>SP20154</li> <li>• Inner Door Assembly Replacement Kit<br/>SP20155</li> </ul> | <ul style="list-style-type: none"> <li>• Inner Door Assembly Replacement Kit<br/>SP20156</li> <li>• Inner Door Assembly Replacement Kit<br/>SP20157</li> <li>• Inner Door Assembly Replacement Kit<br/>SP20158</li> <li>• Gas Valve – NG<br/>SP14270M</li> <li>• Gas Valve – NG<br/>SP14270L</li> <li>• Relief Valve<br/>SP12574</li> <li>• Relief Valve<br/>SP12575B</li> <li>• Relief Valve<br/>SP12575C</li> <li>• Heat Trap – Flapper Type<br/>AP12992C</li> <li>• Drain Valve<br/>SP12112E</li> <li>• Drain Valve<br/>SP12112S</li> <li>• Piezo Ignitor<br/>AP14316</li> </ul> |
|---|--|---|

## Ultra Low NOx with the Guardian System™ Parts Cross Reference Chart

Rheem Model	Ruud Model	Gas Valve	Combustion Chamber Gasket Kit	Pilot Assy. Replacement Kit	Thermocouple Replacement Kit	Burner Assy. Replacement Kit	Inner Door Assy. Kit	Relief Valve	Drain Valve
<b>RHEEM FURY SERIES / RUUD PACEMAKER SERIES</b>									
22V30FN	P2-30FN	SP14270M	SP20135	SP20138	SP20143	SP20148	SP20153	SP12574C	SP12112E
22V40FN	P2-40FN	SP14270M	SP20136	SP20139	SP20144	SP20149	SP21054	SP12574C	SP12112E
22V40SFN	P2-40SFN	SP14270M	SP20137	SP20141	SP20146	SP20151	SP20156	SP12574C	SP12112E
22VR40FN	P2R40-FN	SP14270L	SP20136	SP20140	SP20145	SP20150	SP20157	SP12575C	SP12112S
22V50FN	P2-50FN	SP14270M	SP20137	SP20141	SP20156	SP20151	SP20155	SP12574C	SP12112E
22VR50FN	P2R-50FN	SP14270L	SP20137	SP20142	SP20147	SP20152	SP20158	SP12575C	SP12112S
<b>RHEEM AND RUUD PROFESSIONAL SERIES</b>									
22V30 PROFN	P2-30 PROFN	SP14270M	SP20135	SP20138	SP20143	SP20148	SP20153	SP12574C	SP12112E
22V40 PROFN	P2-40 PROFN	SP14270M	SP20136	SP20139	SP20144	SP20149	SP20154	SP12574C	SP12112E
22V40S PROFN	P2-40S PROFN	SP14270M	SP20137	SP20141	SP20146	SP20151	SP20156	SP12574C	SP12112E
RHG PRO40FN	RUG PRO40FN	SP14270L	SP20136	SP20140	SP20145	SP20150	SP20157	SP12575C	SP12112S
22V50 PROFN	P2-50 PROFN	SP14270M	SP20137	SP20141	SP20146	SP20151	SP20155	SP12574C	SP12112E
RHG PRO50FN	RUG PRO50FN	SP14270L	SP20137	SP20142	SP20147	SP20152	SP20158	SP12575C	SP12112S
<b>RHEEM IMPERIAL SERIES / RUUD MASTER SERIES</b>									
22X30FN	M2-30FN	SP14270M	SP20135	SP20138	SP20143	SP20148	SP20153	SP12574C	SP12112E
22X40FN	M2-40FN	SP14270M	SP20136	SP20139	SP20144	SP20149	SP20154	SP12574C	SP12112E
22X40SFN	M2-40SFN	SP14270M	SP20137	SP20141	SP20146	SP20151	SP20156	SP12574C	SP12112E
22XR40FN	M2R-40FN	SP14270L	SP20136	SP20140	SP20145	SP20150	SP20157	SP12575C	SP12112S
22X50FN	M2-50FN	SP14270M	SP20137	SP21041	SP20146	SP20151	SP20155	SP12574C	SP12112E
22XR50FN	M2R-50FN	SP14270L	SP20137	SP21042	SP20147	SP20152	SP20158	SP12575C	SP12112S

To place your order call 1-800-621-5622; fax 1-800-535-9538

## Marathon Replacement Parts



### HEATING ELEMENTS

- **Lower Element** (3800W), MR30, MR40 gallon models  
SP212700 (single)
- **Lower Element** (3000W), MR50, MSR50, MR75, MR85, and MR105 gallon models  
SP212750 (single)
- **Lower Element** (3800W), MR50 gallon model  
SP212760 (single)
- **Lower Element** (3800W), MSR50, MR75, MR85, MR105 gallon models  
SP212770 (single)
- **Lower Element** (4500W), MR50 gallon model  
SP212780 (single)
- **Lower Element** (4500W), MSR50, MR75, MR85, MR105 gallon models  
SP212790 (single)
- **Heating Element** (3000W/240V)  
SP213480 (single)
- **Heating Element** (2000W/120V)  
SP213540 (single)
- **Upper Element** (3800W)  
SP610130 (single)
- **Upper Element** (5500W)  
SP606140 (single)
- **Upper Element** (3000W)  
SP610150 (single)
- **Upper Element** (4500W)  
SP610160 (single)
- **Lower element** (4500W), MR30, MR40 gallon  
SP610680 (single)
- **Lower Element** (3000W), MR30, MR40 gallon  
SP610690 (single)
- **Heating Element** (5500W)  
SP10698PH (single)
- **Heating Element** (4500W/240V)  
SP10698MH (single)
- **Heating Element** (5500W/240V)  
SP10698RL (single)

### REPLACEMENT PARTS

- **Knock Out Bracket**  
SP213070 (single)
- **Lower Access Panel Cover**  
SP213090 (single)
- **Use and Care Manual**  
SP213270 (single)
- **Access Panel Cover Insulation**  
SP213340 (single)
- **Thermostat Insulation**  
SP213350 (single)
- **Use and Care Manual Supplement**  
SP213360 (single)
- **120V Temperature Control Thermostat**  
SP213590 (single)
- **240V Temperature Control Thermostat**  
SP213600 (single)
- **Use and Care Manual**  
SP213620 (single)
- **Use and Care Manual Supplement**  
SP213630 (single)
- **Vacuum Relief Assembly**  
SP221790 (single)
- **Dip Tube** (MR85, MR105 gallon models)  
SP230018 (single)

- **Dip Tube** (MSR50 gallon short model)  
SP230019 (single)
- **Dip Tube** (MR15, MR20 gallon models)  
SP230021 (single)
- **Dip Tube** (MR30 gallon model)  
SP230023 (single)
- **Dip Tube** (MR75 gallon model)  
SP230024 (single)
- **Dip Tube** (MR40, MR50 gallon models)  
SP230025 (single)
- **Seal Ring** (MR30, MR40, MR50, MSR50, MR75, MR80 gallon models)  
SP230090 (single)
- **Seal Ring Hot Side** (MR105 gallon model only)  
SP230110 (single)
- **Pipe Wrap Energy Kit**  
SP231520 (single)
- **Lock Washer**  
SP231710 (single)
- **Cap Screw**  
SP240420 (single)
- **Grommet Hot Side** (MR105 gallon model only)  
SP240480 (single)
- **Grommet Hot Side** (MR30, MR40, MR50, MSR50, MR75, MR85 gallon models)  
SP240490 (single)
- **Lower Protector**  
SP310010 (single)
- **Lower Thermostat**  
SP310020 (single)
- **Upper Protector**  
SP310040 (single)
- **Element Gasket**  
SP310060 (single)
- **Upper Temperature Control Thermostat**  
SP310230 (single)
- **Screw #10-32 x 3/8**  
SP310240 (single)
- **Drain Valve**  
SP310270 (single)
- **Screw #10-16 x 5/8**  
SP330020 (single)
- **Reducer Bushing 1" x 3/4"** (MR105)  
SP330030 (single)
- **T & P Valve**  
SP330040 (single)
- **Drain Valve**  
SP330090 (single)
- **Screw #8**  
SP330180 (single)
- **Reducer 1" x 3/4" Cold Side**  
SP330200 (single)
- **Tee 3/4" x 3/4" x 3/4"**  
SP330210 (single)
- **Nipple 3/4" x 3"**  
SP330230 (single)
- **Junction Box Cover**  
SP410910 (single)
- **Upper Access Panel**  
SP411800 (single)
- **Lower Access Panel**  
SP411810 (single)
- **Access Panel**  
SP412050 (single)
- **Element Wrench**  
SP610070 (single)



Lime Eater

## Accessories

- **Lime Eater**, 1 gallon jug  
SP11237B (single)
- **Mobile Home Straps**  
AP11154 (single)
- **Earthquake Straps**  
SP13345 (single)
- **Heat Traps**  
SP20003 (single)
- **Water Heater Stand**, 21" X 21" X 16"  
SP13044
- **ProtectionPlus 4-Yr. Limited Warranty Extension Kits\*** -  
Pkg. of 6 (no single kit orders)  
SP20079

\* For use on: Professional, Fury, Pacemaker, Heavy Duty, PowerVent and Direct Vent models.  
Not for use on: Warrior, Warrior DV, Marathon, Point-of-Use or Table Top models.



ProtectionPlus  
Kit

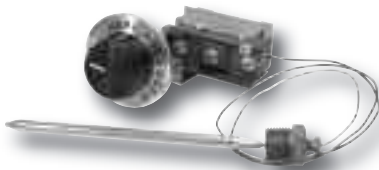
## Thermal Expansion Tanks Save Energy and Money

*Expanded (heated) water is absorbed by a  
Thermal Expansion Tank which means...*

- **Water heater and fixtures are protected**
  - **Eliminates BTU and water waste, saving money and energy**
  - **No dangerous pressure build up in the system**
  - **Relief valves will not be triggered**
  - **Potential safety hazard reduced**
- 
- **RRT Therm-X-Guard Expansion Tank 2.5 Gal**  
RRT-5 (Single)
  - **RRT Therm-X-Guard Expansion Tank 5 Gal**  
RRT-12 (Single)
  - **RRT Therm-X-Guard Expansion Tank 10 Gal**  
RRT-25 (Single)



Expansion Tanks



**Immersion Thermostat**



**3-Pole Fuse Block**



**Fuses**

## Commercial Electric Water Heaters

### ELECTRIC THERMOSTATS

- **Therm-O-Disc Upper Thermostat** (max 150 degree) & High Limit (170 degree) - 50 Gallon Surface Mount  
SP11234 (single)
- **Therm-O-Disc Upper Thermostat** (max 170 degree) & High Limit (190 degree) - 85 & 120 Gallon Surface Mount  
SP11231 (single)
- **Immersion Thermostat** - White-Rogers (110 - 190 degrees) 60" capillary tube  
SP11805 (single)
- **Immersion High Limit** - White-Rogers (200 degrees) manual reset - 60" capillary tube  
SP11806 (single)
- **Immersion Thermostat** (80 - 190 degrees) - 24" capillary tube  
SP8260 (single)
- **Immersion High Limit** - (205 degrees) manual reset - 15" capillary tube  
SP5411 (single)
- **Therm-O-Disc Upper Thermostat** (110-170 degree) & High Limit (190 degree), non-simultaneous ELD models only  
SP8293 (single)
- **Therm-O-Disc Lower Thermostat** (110-170 degree), non-simultaneous ELD models only  
SP8295 (single)
- **Hand Hole Gasket Kit**  
SP22079 (single)

### CONTACTORS AND TRANSFORMERS

- **Contactor** - 3 pole; 120V; 35 amp; I-F-G Class G  
SP12841 (single)
- **Transformer with Jumper**  
SP10006 (single)
- **Copper Conductor**  
AM25285 (single)

### FUSES AND FUSE BLOCKS

- **Fuse Block** - 3 pole; holds 1 5/8 L x 13/32 dia fuses Class G - 30 amp  
SP8311E (single)
- **Fuse Block** - Class G - 35 amp Fuse  
SP11112 (single)
- **Fuse** - 30 amp 1 5/8 L x 13/32 dia Class G  
SP8264M (single)
- **Fuse** - 35 amp Class G  
SP8264K (single)
- **Junction Box**  
AM35196

### TEMPERATURE AND PRESSURE RELIEF VALVES

- **Watts 100XL-4;** 3/4" inlet x 3/4" discharge - M150# (150 PSI pressure/ 210 degree temperature) 6-27 KW (100,000BTU)  
SP12574 (single)
- **Watts 40XL-5;** 3/4" inlet x 3/4" discharge - M150# (150 PSI pressure/ 210 degree temperature) 30-54 KW (200,000 BTU)  
SP9013D (single)
- **Watts L100XL-3;** 3/4" inlet x 3/4" discharge - M150# (150 PSI pressure/ 210 degree temperature) 81 KW  
AP13849 (single)

### RESISTORED STAINLESS STEEL HEATING ELEMENTS – POWERPACK\*

- **480V/4000W (PowerPack)**  
AP12879LL (Bulk\*\*: 50)
- **480V/4500W (PowerPack)**  
AP12879ML (Bulk\*\*: 50)
- **480V/5000W (PowerPack)**  
AP12879NH (Bulk\*\*: 50)
- **480V/6000W (PowerPack)**  
AP12879QH (Bulk\*: 50)
- **277V/4000W (PowerPack)**  
AP12880LL (Bulk\*\*: 50)
- **277V/4500W (PowerPack)**  
AP12880ML (Bulk\*\*: 50)
- **277V/5000W (PowerPack)**  
AP12880NH (Bulk\*\*: 50)
- **277V/6000W (PowerPack)**  
AP12880QH (Bulk\*: 50)
- **240V/4000W (PowerPack)**  
AP12878LL (Bulk\*\*: 50)
- **240V/5000W (PowerPack)**  
AP12878NH (Bulk\*\*: 50)
- **240V/6000W (PowerPack)**  
AP12878QH (Bulk\*\*: 50)
- **208V/4000W (PowerPack)**  
AP12877LL (Bulk\*\*: 50)
- **208V/4500W (PowerPack)**  
AP12877ML (Bulk\*\*: 50)
- **208V/5000W (PowerPack)**  
AP12877NH (Bulk\*\*: 50)
- **208V/6000W (PowerPack)**  
AP12877QH (Bulk\*\*: 50)

\* Note: Please refer to Page XX for complete list of resistored stainless steel heating elements.

\*\* Elements may be ordered in bulk. Box consists of 50 elements and 50 gaskets of the same part number.



The premium line of approved replacement parts.

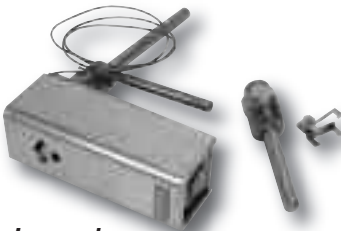
## Commercial Heavy Duty Gas Water Heaters



Honeywell Ignition Control



Pilot Burner and Ignitor Sensor



Immersion Thermostat & High Limit



Watts Temperature & Pressure Relief Valve

### GAS VALVES

- **Honeywell 1/2 Inlet x 3/4 Outlet Gas Valve** - Natural Gas - 24V  
SP10963B (single)
- **Honeywell 1/2 Inlet x 3/4 Outlet Gas Valve** - LP Gas - 24V  
SP10963C (single)
- **Honeywell 3/4 Inlet x 3/4 Outlet Gas Valve** - Natural Gas - 24V  
SP10963D (single)
- **Honeywell 3/4 Inlet x 3/4 Outlet Gas Valve** - LP Gas - 24V  
SP10963E (single)
- **Robertshaw High Capacity Natural Gas Valve** 1" Inlet x 1" Outlet Slow Opening Valve  
SP8099N (single)
- **Robertshaw High Capacity LP Gas Valve** 1" Inlet x 1" Outlet - Slow Opening Valve  
SP8099P (single)

### IGNITION CONTROL MODULE & CABLE

- **Honeywell Ignition Control** S8600M - Continuous Retry - 24V - used with electronic ignition system  
SP10763C (single)
- **Honeywell Ignition Cable** - 25 inch - 1/4" disconnect with rubber boot on pilot end  
SP8828G (single)

### PILOT SENSOR

- **Honeywell Pilot Burner and Ignitor Sensor** - Natural Gas - Electronic Ignition  
SP10764B (single)
- **Honeywell Pilot Burner and Ignitor Sensor** - LP Gas - Electronic Ignition  
SP10764C (single)

### TRANSFORMER

- **Bassler** - 120 VAC to 240 VAC  
SP10550B (single)

### LEG EXTENSIONS REQUIRED FOR N.S.F. APPROVAL

- **Leg Extension Kit for N.S.F. Approval for Models:** G50-98, G75-125, G82-156, G76-180, G37-200, G76-200, G91-200, G100-200(A), G72-250(A), G100-250(A), GD100-250(A), G100-270(A), GD100-270(A), G72-300(A), G65-360(A), G85-300(A), G100-310(A), GD100-310(A), GD100-360(A), G65-400(A), G85-400(A), G100-400(A)  
AM35450 (single)

### THERMOSTATS AND HIGH LIMITS

- **Honeywell Immersion Thermostat** - (100-180 degrees) & High Limit - single immersion well - 1 13/16" shank x 3/4" NPT  
SP11799 (single)
- **Honeywell Immersion Thermostat** - (100-180 degrees) & High Limit (200 degrees) - dual immersion well with 39 1/4" capillary - 1 13/16" shank x 3/4" NPT  
SP11798B (single)
- **White-Rogers Manual Re-Set Immersion Thermostat** (100-180 degrees) & High Limit dual immersion well with 46" capillary - 3/4" NPT  
AP12015-1 (single)

### DAMPER ASSEMBLY

- **Due to the unique application of damper assemblies, please call for part numbers and pricing. Have the model number and serial number of the water heater on hand.**

### TEMPERATURE AND PRESSURE RELIEF VALVES

- **Watts 100XL-4;** 3/4" inlet x 3/4" discharge - M150# (150 PSI pressure/ 210 degree temperature) up to 100,000 BTU  
SP9013E (single)
- **Watts 40XL-5;** 3/4" inlet x 3/4" discharge - M150# (150 PSI pressure/ 210 degree temperature) up to 200,000 BTU  
SP9013D (single)
- **Watts L40XL-6;** 1" inlet x 1" discharge (150 PSI pressure/ 210 degree temperature) up to 500,000 BTU  
SP9012B (single)

### DIAGNOSTIC SYSTEM

- **System Sentinel**  
AM38875 (single)

### OTHER PARTS

- **Ignitor Bracket**  
AE34933-1
- **Wiring Harness**  
AP11327-5



## Commercial Induced Draft Gas Water Heaters Unique Replacement Parts

- **Inducer Assembly**  
SP13800 – Fits models GD100-250(A) and GD270(A), NG and LP
- **Inducer Assembly**  
SP13801 – Fits model GD100-310(A), NG only
- **Inducer Assembly**  
SP13802 – Fits models GD100-310(A), LP only and GD100-360(A), NG and LP
- **Pressure Switch**  
SP13989

**PARTS DIAGRAM  
ON PAGE 70**

## Nine basic commercial gas parts fix all 23 Universal and Induced Draft Water Heaters

Model Number	Gas Valve (NG)	Gas Valve (LP)	Ignition Control Module	Pilot Sensor (NG)	Pilot Sensor (LP)	Thermostat	T&P Valve
G50-98	SP10963B	SP10963C	SP10763B	SP10764B	SP10764C	SP11799	SP9013D
G75-125	SP10963D	SP10963E				SP11798B	
G82-156							
G37-200							
G76-180							
G76-200							
G91-200							
G100-200							
G72-250							
G100-250							
G100-270							
G72-300							
G85-300							
G100-310							
G65-360							
G65-400							
G85-400							
G100-400	SP8099N	SP8099P				SP9012B	
GD100-250	SP10963D	SP10963E					
GD100-270							
GD100-310							
GD100-360							

To place your order call 1-800-621-5622; fax 1-800-535-9538



**PARTS DIAGRAM  
ON PAGE 71**

## Commercial Low NOx Water Heaters

### HONEYWELL GAS VALVES

- GN37-200, GN65-360, GN72-250, GN75-125, GN76-200, GN82-156, GN91-200, GN100-200, GN100-250, GN100-270  
SP12541B (single)
- GN100-400 SP12543 (single)

### BURNER ASSEMBLIES

(Includes gas valve and blower assembly)

- GN37-200 AM39755 (single)
- GN65-360 AM39768 (single)
- GN72-250 AM40021 (single)
- GN75-125 AM39731 (single)
- GN76-200 AM39741 (single)
- GN82-156 AM39760 (single)
- GN91-200 AM39189 (single)
- GN100-200 AM39732 (single)
- GN100-250 AM39737 (single)
- GN100-270 AM39738 (single)
- GN100-400 AM40016 (single)

### BURNER/MANIFOLD ASSEMBLIES

(Without gas valve and blower assembly)

- GN37-200 AM39188 (single)
- GN65-360 AM39767 (single)
- GN72-250 AM40020 (single)
- GN75-125 AM39245-3 (single)
- GN76-200 AM39188 (single)
- GN82-156 AM39759 (single)
- GN91-200 AM39342 (single)
- GN100-200 AM39718-3 (single)
- GN100-250 AM39764 (single)
- GN100-270 AM39246 (single)
- GN100-400 AM39526 (single)

### BLOWER ASSEMBLIES

- GN37-200 AM39729 (single)
- GN65-360 AM39766 (single)
- GN72-250 AM39734 (single)
- GN75-125 AM39728 (single)
- GN76-200 AM39740 (single)
- GN82-156 AM39761 (single)
- GN91-200 AM39739 (single)
- GN100-200 AM39729 (single)
- GN100-250 AM39729 (single)
- GN100-270 AM39753 (single)
- GN100-400 AM39733 (single)

### IGNITORS

- GN37-200, GN75-125, GN76-200, GN82-156, GN91-200, GN100-200, GN65-360, GN72-250, GN100-250, GN100-270, GN100-400  
AM39758 (single)

### PRESSURE SWITCHES

- GN75-125LN, GN72-250LN  
SP14199B
- GN100-200LN, GN76-200LN, GN37-200LN  
SP14199C
- GN91-200LN SP14199D
- GN82-156LN, GN100-250LN  
SP14199E
- GN100-270LN SP14199F
- GN65-360LN SP14199G
- GN100-400LN AP14199H

### DAMPER ASSEMBLY

- Due to the unique application of damper assemblies, please call for part numbers and pricing. Have the model number and serial number of the water heater on hand.

- White-Rogers Relay  
SP12732 (single)
- Baffle Assembly  
AM39581 (single)
- Pilot Assembly  
SP20058 (single)
- SMC South Blower Cage  
AP12712 (single)
- QNI Wiring Harness  
AP12594B-3 (single)
- Honeywell Ignition Cable  
AP12761 (single)



## Commercial Gas – Light Duty, Standing Pilot

- **Robertshaw Natural Gas Thermostat** (180 degrees) control valve with 2 3/8" shank - single use high limit (200 degrees) - 75,000 BTU - 1/2" inlet & outlet  
SP12234B (single)
- **Robertshaw Natural Gas Thermostat** (180 degrees) control valve with 1 5/8" shank - single use high limit (200 degrees) - 75,000 BTU - 1/2" inlet & outlet  
SP12234C (single)
- **Robertshaw Natural Gas Thermostat** (180 degrees) control valve with 2 7/8" shank - single use high limit (200 degrees) - 75,000 BTU - 1/2" inlet & outlet  
SP12234E (single)
- **Natural Gas Pilot Burner Assembly** - .0115 orifice  
SP8384B (single)
- **LP Pilot Burner Assembly** .008 orifice (colored red for easy identification)  
SP8384D (single)
- **24" Thermocouple**  
SP6379R (single)

## Commercial Eclipse Water Heaters

- **Terminal Block 175 AMP**  
SP13407 (single)
- **Transformer 50 VA**  
SP13408 (single)
- **Vacuum Relief Valve**  
SP221790 (single)
- **Switch**  
SP13411 (single)
- **T&P Relief Valve**  
SP330040
- **Thermostat**  
SP13410

### ELEMENTS

- **3100W / 208V**  
SP13409AL (single)  
AP13409AL (bulk\*: 50)
- **4500W / 6000W 208V / 240V**  
SP13409BL (single)  
AP13409BL (bulk\*: 50)
- **6000W / 208V**  
SP13409CL (single)  
AP13409CL (bulk\*: 50)

- **3100W / 240V**  
SP13409DL (single)  
AP13409DL (bulk\*: 50)
- **4500W / 6000W 240V / 277V**  
SP13409EL (single)  
AP13409EL (bulk\*: 50)
- **3100W / 277V**  
SP13409FL (single)  
AP13409FL (bulk\*: 50)
- **4500W / 277V**  
SP13409GL (single)  
AP13409GL (bulk\*: 50)
- **3100W / 480V**  
SP13409HL (single)  
AP13409HL (bulk\*: 50)
- **4500W / 480V**  
SP13409JL (single)  
AP13409JL (bulk\*: 50)
- **6000W / 480V**  
SP13409KL (single)  
AP13409KL (bulk\*: 50)



\* Elements may be ordered in bulk. Box consists of 50 elements and 50 gaskets of the same part number.

## AdvantagePlus Commercial Water Heaters



110 Volt Ignitor Kit



- **Interconnecting Ribbon Cable to PC Board**  
SP12139 (single)
- **Pressure Switch**  
SP12140 (single)
- **Transformer with Ignition Cable**  
SP12141 (single)
- **ECO/Temperature Probe**  
SP12142 (single)
- **Ignitor**  
SP12143 (single)
- **110V Ignitor Kit**  
SP12143K (single)
- **Flame Rectification Probe**  
SP12144 (single)
- **Gas Valve**  
SP12145 (single)
- **Low Voltage Cable**  
SP12146 (single)
- **Line Cable**  
SP12147 (single)
- **Over Temperature Switch (Exhaust Outlet)**  
SP12149 (single)
- **Glass Sight Window**  
SP12150 (single)
- **Neutralizer Condensate**  
SP12151 (single)
- **Gasket Burner Mounting Flange**  
SP12152 (single)
- **Gasket Blower Outlet Flange**  
SP12153 (single)
- **Gasket Air Inlet**  
SP12154 (single)
- **Gasket Sight Window**  
SP12156 (single)
- **Main Control PC Board, 160 deg., 130,000 BTU**  
SP12136 (single)
- **Main Control PC Board, 160 deg., 160,000 BTU**  
SP12137 (single)
- **Display PC Board**  
SP12138 (single)
- **Main Control PC Board, 160 deg., 199,000 BTU**  
SP12186 (single)

- **Main Control PC Board, 160 deg., 100,000 BTU**  
AP12416 (single)
- **Main Control PC Board, 180 deg., 160,000 BTU**  
AP12418 (single)
- **Main Control PC Board, 180 deg., 199,000 BTU**  
AP12419 (single)
- **Gasket Ignitor Collar**  
AP12654
- **Burner – 100-130K BTU**  
SP14114
- **Burner – 160-199K BTU**  
SP14115
- **Low Water Cutoff**  
SP20124

### ORIFICE KITS

- **130,000 BTU, LP**  
SP12389B
- **160,000 BTU, LP**  
SP12389C
- **199,000 BTU, LP**  
SP12389D
- **130,000 BTU, NG**  
SP12190B
- **160,000 BTU, NG**  
SP12190C
- **199,000 BTU, NG**  
SP12190D

### ADVANTAGEPLUS ACCESSORIES

- **Combustion Blower**  
SP12189 (single)
- **Concentric Vent Termination Kit 3"**  
SP12161 (single)
- **Aluminum Outside Termination Vent Kit**  
SP12162 (single)
- **Mesh Screen 3-1/2" Size Stainless for 3" Pipe**  
SP12163 (single)
- **Model 450 CO Meter**  
AP12516 (single)



**PARTS DIAGRAM  
ON PAGE 72**

## XTREME Commercial Water Heaters

- **Thermostat and High Limit**  
AP12015-1 (single)
- **Pressure Switch** (GX90-500, GX90-550, GX90-600, GX90-680)  
SP14197B (single)  
SP14197C (GX90-640, GX90-715)
- **Gas Valve**  
SP12866P (single, LP)  
SP12866N (single, NG)
- **Pilot / Ignitor Assembly**  
SP12305 (single, LP)  
SP12237 (single, NG)
- **Relief Valve** (GX90-715, GX90-680)  
AP12323-1 (single)
- **Relief Valve** (GX90-640, GX90-600, GX90-550)  
AP12035 (single)
- **Relief Valve** (GX90-500)  
SP9012B (single)
- **Full Flow Drain Valve**  
AP12231B-1 (single)
- **Damper Assembly**  
AM39825 (single)
- **Blower Motor**  
SP12525 (single)
- **Gasket Plenum**  
AP12382-1 (single)
- **Gasket Set/Fan**  
AP12383 (single)



**PARTS DIAGRAM  
ON PAGE 69**

## VentMaster Commercial Water Heaters

- **Anode Rod** - 42" long x .840 dia  
SP11345S
- **Thermostat and High Limit**  
SP11789B
- **Blower**  
AP13192
- **Relief Valve** (GP100-200, GP100-150)  
SP9013D
- **Pilot Ignitor Assembly**  
SP13185
- **Gas Valve**  
SP13714
- **System Sentinel Panel**  
AM38875
- **Control Module**  
AM40782
- **Relay**  
SP12732
- **On/Off Switch**  
SP8825
- **Transformer**  
SP10550B
- **Full Flow Drain Valve**  
AP12231B-1
- **Ignition Control**  
SP10763B



## Common Replacement Parts



*Light Duty Brass Drain Valve:*

### DRAIN VALVES

- **Brass Drain Valve** - 3/4" x 2 1/4" shank  
SP6070G (single)
- **Brass Drain Valve** - 3/4" x 3" shank -  
Commercial Light Duty  
SP12112S (single)
- **Standard Melet** - 3/4" NPT x 2 1/4" shank  
SP12039 (single)
- **Brass Drain Valve** - 3/4" x 2 1/4" shank  
SP12112G (single)
- **Brass Full Flow Drain Valve 3.1"** (gas)  
AP12231B-1 (single)
- **Brass Full Flow Drain Valve 3.1"** (electric)  
AP12231C-1 (single)

### ANODE RODS

- **R Tech Resistor Magnesium Anode Rod** -  
44" long x .700 dia  
SP11309C (single)
- **Galvo Magnesium** - 44" long x .840 dia  
SP11345C (single)
- **Magnesium Anode Rod** - 44" long x .840 dia  
SP11524C (single)
- **Magnesium Anode Rod** - 58" long x .840 dia  
SP11524Z (single)
- **R Tech Resistor Magnesium Anode Rod** -  
44" long x .900 dia  
SP11526C (single)
- **R Tech Resistor Magnesium Flexible Link  
Anode Rod** - 52" long - 12" sections  
SP8371B (single)

### DIP TUBES

- **Dip Tube with anti-siphon hole** - 3/4" x 54" long  
- clear (North Carolina code) with gasket  
SP11251R (single)
- **Dip Tube with anti-siphon hole** - 1" x 26" long  
with gasket  
SP11269C (single)
- **Dip Tube with anti-siphon hole** - 3/4" x 54" long  
with gasket  
SP11248R (single)

### GASKETS

- **Hand Hole Gasket**  
SP5886 (single)



*R-Tech Resistor  
Magnesium Flexible  
Link Anode Rod:*



## Non-Resistored Heating Elements

### COPPER SCREW-IN ELEMENTS

- **120V/1500W**, 7-5/8", HWD  
UV12890 (Single)  
AP12890 (Bulk\*: 50)
- **120V/2000W**, 7-5/8", HWD  
UV12892 (Single)  
AP12892 (Bulk\*: 50)
- **240V/1500W**, 7-5/8", HWD  
UV12891 (Single)  
AP12891 (Bulk\*: 50)
- **240V/2000W**, 7-5/8", HWD  
UV12893 (Single)  
AP12893 (Bulk\*: 50)
- **240V/2500W**, 9-3/8", HWD  
UV12894 (Single)  
AP12894 (Bulk\*: 50)
- **240V/3000W**, 10-9/16", HWD  
UV12895 (Single)  
AP12895 (Bulk\*: 50)
- **240V/3500W**, 12-9/16", HWD  
UV12896 (Single)  
AP12896 (Bulk\*: 50)
- **240V/3800W**, 13-7/16", HWD  
UV12897 (Single)  
AP12897 (Bulk\*: 50)
- **240V/4000W**, 13-9/16", HWD  
UV12898 (Single)  
AP12898 (Bulk\*: 50)
- **240V/4500W**, 13-9/16", HWD  
UV12899 (Single)  
AP12899 (Bulk\*: 50)
- **240V/4500W**, 10", MWD  
UV13049 (Single)  
AP13049 (Bulk\*: 50)
- **240V/5500W**, 10-1/8", LWD  
UV12900 (Single)  
AP12900 (Bulk\*: 50)
- **240V/4500W**, 11-3/4", LWD  
UV12901 (Single)  
AP12901 (Bulk\*: 50)

### COPPER 1-3/8" SCREW-IN ELEMENTS

- **240V/4500W**, 11-9/16", LWD  
UV12902 (Single)  
AP12902 (Bulk\*: 50)

### COPPER FLANGE ELEMENTS

- **120V/1500W**, 7-5/8", HWD  
UV12944 (Single)  
AP12944 (Bulk\*: 50)
- **240V/1500W**, 7-5/8", HWD  
UV12908 (Single)  
AP12908 (Bulk\*: 50)
- **240V/2500W**, 10", HWD  
UV13047D (Single)  
AP13047D (Bulk\*: 50)
- **240V/3500W**, 12-9/16", HWD  
UV12909 (Single)  
AP12909 (Bulk\*: 50)

- **240V/4500W**, 13-9/16", HWD  
UV12910 (Single)  
AP12910 (Bulk\*: 50)
- **240V/3000W**, 10", HWD  
UV13047A (Single)  
AP13047A (Bulk\*: 50)
- **240V/5500W**, 12", HWD  
UV13047B (Single)  
AP13047B (Bulk\*: 50)
- **240V/4500W**, 9", MWD  
UV13047C (Single)  
AP13047C (Bulk\*: 50)

### COPPER FLAT FLANGE ELEMENTS

- **240V/4500W**, 13-9/16", HWD  
UV12907 (Single)  
AP12907 (Bulk\*: 50)
- **240V/4500W**, 14", LWD  
UV13051 (Single)  
AP13051 (Bulk\*: 50)

### SLIP-IN ELEMENTS

- **240V/3000W**, HWD  
UV13066A (Single)  
AP13066A (Bulk\*: 50)
- **240V/3500W**, HWD  
UV13066B (Single)  
AP13066B (Bulk\*: 50)
- **240V/4500W**, HWD  
UV13066C (Single)  
AP13066C (Bulk\*: 50)

### STAINLESS STEEL SCREW-IN ELEMENTS

- **240V/3500W**, 13-7/8", LWD  
UV12903 (Single)  
AP12903 (Bulk\*: 50)
- **240V/4500W**, 13-1/2", LWD  
UV12904 (Single)  
AP12904 (Bulk\*: 50)
- **240V/5500W**, 13-1/2", LWD  
UV12905 (Single)  
AP12905 (Bulk\*: 50)
- **120V/1500W**, 12", HWD  
UV13050B (Single)  
AP13050B (Bulk\*: 50)
- **240V/2500W**, 11", HWD  
UV13050A (Single)  
AP13050A (Bulk\*: 50)

### STAINLESS STEEL FLANGE ELEMENT

- **240V/2500W**, 11", LWD  
UV12911 (Single)  
AP12911 (Bulk\*: 50)
- **240V/4500W**, 14", HWD  
UV13048 (Single)  
AP13048 (Bulk\*: 50)

**Note: Elements listed not recommended with Rheem, Ruud, and GE products. Use of this component may lead to premature failure of the product and voiding of manufacturers warranties.**

HWD = High Watt Density  
MWD = Medium Watt Density  
LWD = Low Watt Density

Please call for Master Carton pricing. Note: add MC to end of stock number.

# RESIDENTIAL *Universal™ Parts*

The value line for all your replacement parts needs.



**Universal Gasket Kit**

## Element Accessories

- **Gaskets for screw-in elements**  
AP6708-9 (Bulk: 50)
- **1/2" Round Gasket for flange elements**  
AP6614J (Bulk: 50)
- **4-hole Gasket for flange elements**  
AP10363 (Bulk: 50)
- **Gasket Kit** - (1) screw-in gasket, (1) flange, (1) 4-hole gasket, (4) 1/4" - 20 x 3/4" hex slot  
UV12914 (Single)
- **Universal Adapter Kit** - (1) flat gasket, (1) round gasket, (1) element adapter  
UV6830 (Single)
- **4" Heavy Duty Element Wrench**  
UV38628 (Single)



**Heavy duty element wrench**

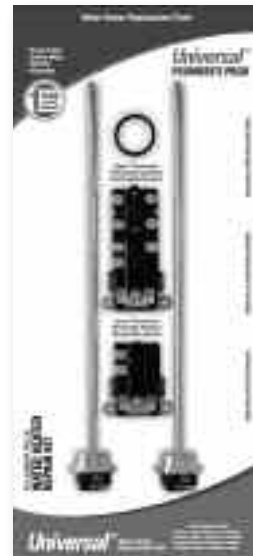
## Universal Parts Plumber's Pack

*The plumber's pack is an all-inclusive "tune-up" kit for electric water heaters featuring the most popular replacement parts on the market.*

- Two non-resistored heating elements and gaskets
- Upper and lower thermostats
- Economy package that includes all the major components for a complete "tune-up" for the water heater

**Plumber's Pack Kit** - includes two non-resistored 4500 watt screw-in heating elements, two heating element gaskets, and upper & lower thermostats

UV20018 (single)



Please call for Master Carton pricing. Note: add MC to end of stock number.

To place your order call 1-800-621-5622; fax 1-800-535-9538



*Thermocouple Kit*



*Thermostat Bracket*

## Electric Thermostats\*

- **APCOM Upper Thermostat**  
(max 150 degrees) & High Limit (170 degree)  
- Two element non-simultaneous 208, 240, 277, 480 volt  
UV13359 (single)
- **Therm-O-Disc Upper Thermostat**  
(max 150 degrees) & High Limit (170 degree)  
- Two element simultaneous 208, 240, 277, 480 volt  
UV11699 (single)
- **Therm-O-Disc Upper Thermostat**  
(max 150 degrees) & High Limit (170 degree)  
- Single element 120 volt  
UV11700 (single)
- **APCOM Lower Thermostat**  
(max 150 degrees) simultaneous and non-simultaneous 208, 240, 277, 480 volt  
UV13360 (single)
- **Therm-O-Disc Lower Thermostat**  
(max 150 degrees) & High Limit (170 degree)  
- Two element non-simultaneous 208, 240, 277, 480 volt  
UV11695 (single)
- **Therm-O-Disc Upper Thermostat**  
(max 150 degrees) simultaneous and non-simultaneous 208, 240, 277, 480 volt  
UV11698 (single)

## Gas Replacement Parts

- **18" Thermocouple Kit**  
UV6379L (Single)
- **24" Thermocouple Kit**  
UV6379R (Single)
- **30" Thermocouple Kit**  
UV6379H (Single)
- **36" Thermocouple Kit**  
UV6379S (Single)

## Common Replacement Parts

- **Flared Dip Tube**  
SP11248R (Bulk: Qty. 12)
- **Threaded Dip Tube**  
AP12933 (Bulk: Qty. 12)
- **Screw-In Thermostat Bracket**  
AM23557 (Bulk: Qty. 50)
- **Heat Traps** (flapper type)  
UV12992 (Single: 2/pkg.)
- **Watts 100XL-4;** 3/4" inlet x 3/4" discharge - M150# (150 PSI pressure / 210 degree temperature) up to 100,000 BTU  
SP12574 (single)
- **Watts 100XL;** 3/4" inlet x 3/4" discharge (150 PSI pressure / 210 degree temperature) - long shank up to 100,000 BTU  
SP8346 (single)
- **Drain Valve; Standard Melet**  
3/4" NPT x 2 1/4" shank  
UV12039 (single)

Please call for Master Carton pricing. Note: add MC to end of stock number.

\* Electric thermostats may be ordered in bulk. Box consists of 50 thermostats of the same part number. Bulk pricing is less than the single price. Please call for pricing.

To place your order call 1-800-621-5622; fax 1-800-535-9538

## Accessories



**Drain Pan with Fittings:**

- Available in plastic or aluminum in a variety of sizes.

### WATER CONNECTORS

- **12" Flexible Copper Water Connector 3/4"**  
UV10351 (Single: 2/Pkg.)  
AP10351 (Bulk: 25)
- **15" Flexible Copper Water Connector 3/4"**  
UV10505 (Single: 2/Pkg.)  
AP10505 (Bulk: 25)
- **18" Flexible Copper Water Connector 3/4"**  
UV10506 (Single: 2/Pkg.)  
AP10506 (Bulk: 25)
- **24" Flexible Copper Water Connector 3/4"**  
AP13006 (Bulk: 25)
- **18" Flexible Copper Water Connector 3/4" FIP x 3/4" Sweat**  
AP13012 (Bulk: 25)
- **24" Flexible Copper Water Connector 3/4" FIP x 3/4" Sweat**  
AP13015 (Bulk: 25)
- **Stainless Steel 3/4" Water Connector 12"**  
UV12927 (Single: 2/Pkg.)  
AP12927 (Bulk: 25)
- **Stainless Steel 3/4" Water Connector 15"**  
UV12928 (Single: 2/Pkg.)  
AP12928 (Bulk: 25)
- **Stainless Steel 3/4" Water Connector 18"**  
UV12929 (Single: 2/Pkg.)  
AP12929 (Bulk: 25)

### GAS CONNECTORS

- **12" Stainless Steel Gas Connector 1/2" FIP x 1/2" MIP**  
AP10349 (Bulk: 25)
- **18" Stainless Steel Gas Connector 1/2" FIP x 1/2" MIP**  
AP10350 (Bulk: 25)
- **24" Stainless Steel Gas Connector 1/2" FIP x 1/2" MIP**  
AP13014 (Bulk: 25)
- **48" Stainless Steel Gas Connector 1/2" FIP x 1/2" MIP**  
AP13013 (Bulk: 25)

### INSTALLATION KITS

- **15" Water Connector Kit 3/4"\***  
UV20010 (Single: 2/Pkg.)
- **15" Gas Connector Kit 3/4"\***  
UV20016 (Single: 2/Pkg.)
- **15" Electric Connector Kit 3/4"\***  
UV20013 (Single: 2/Pkg.)
- **18" Water Connector Kit 3/4"\***  
UV20011 (Single: 2/Pkg.)

- **18" Gas Connector Kit 3/4"\***  
UV20017 (Single: 2/Pkg.)
- **18" Electric Connector Kit 3/4"\***  
UV20014 (Single: 2/Pkg.)
- **12" Water Connector Kit 3/4"\***  
UV20009 (Single: 2/Pkg.)
- **12" Gas Connector Kit 3/4"\***  
UV20015 (Single: 2/Pkg.)
- **12" Electric Connector Kit 3/4"\***  
UV20012 (Single: 2/Pkg.)

### FITTINGS

- **3/4" Compression Fitting x 3/4" MPT**  
UV10374 (Single: 2/Pkg.)
- **1/2" Compression Fitting x 3/4" MPT**  
UV10354 (Single: 2/Pkg.)
- **Nipples 3/4" x 2-1/4" PP Lined**  
UV8397G (Single: 2/Pkg.)  
AP8397G-8 (Bulk: 100)
- **Nipples 3/4" x 3" PP Lined**  
AP8397N-8 (Bulk: 100)
- **Dielectric Union**  
AP13045 (Single)

### OTHER ACCESSORIES

- **Center Top Run-Off Tube**  
SP11956B (Bulk: 12)
- **20" Plastic Drain Pan with Fittings (Electric)**  
SP12934 (Bulk: 20)
- **22" Plastic Drain Pan with Fittings (Electric)**  
SP12937 (Bulk: 20)
- **24" Plastic Drain Pan with Fittings (Electric)**  
SP12935 (Bulk: 20)
- **26" Plastic Drain Pan with Fittings (Electric)**  
SP12936 (Bulk: 10)
- **30" Plastic Drain Pan with Fittings**  
SP13319 (Bulk: 5)
- **20" Aluminum Drain Pan with Fittings**  
SP12939 (Bulk: 10)
- **22" Aluminum Drain Pan with Fittings**  
SP12941 (Bulk: 10)
- **24" Aluminum Drain Pan with Fittings**  
SP12942 (Bulk: 10)
- **26" Aluminum Drain Pan with Fittings**  
SP12940 (Bulk: 10)
- **30" Aluminum Drain Pan with Fittings**  
SP13325 (Bulk: 5)
- **Gas Control Extender**  
AP11620-1 (Bulk: 50)

Please call for Master Carton pricing. Note: add MC to end of stock number.

\* Gas connector kits contain (2) 3/4" nipples, (2) 3/4" x 12", 15", 18" flex water connectors, (1) teflon tape, (2) 3/4" comp. fittings, (1) 18" flex. gas connector.  
Electric connector kits contain (2) 3/4" x 2" nipples, (2) 3/4" x 12", 15", 18" flex water connectors, (1) teflon tape, (2) 3/4" MPT comp. fittings.  
Water connector kits contain (2) 3/4" x 2" nipples, (2) 3/4" x 12", 15", 18" flex water connectors, (1) teflon tape.

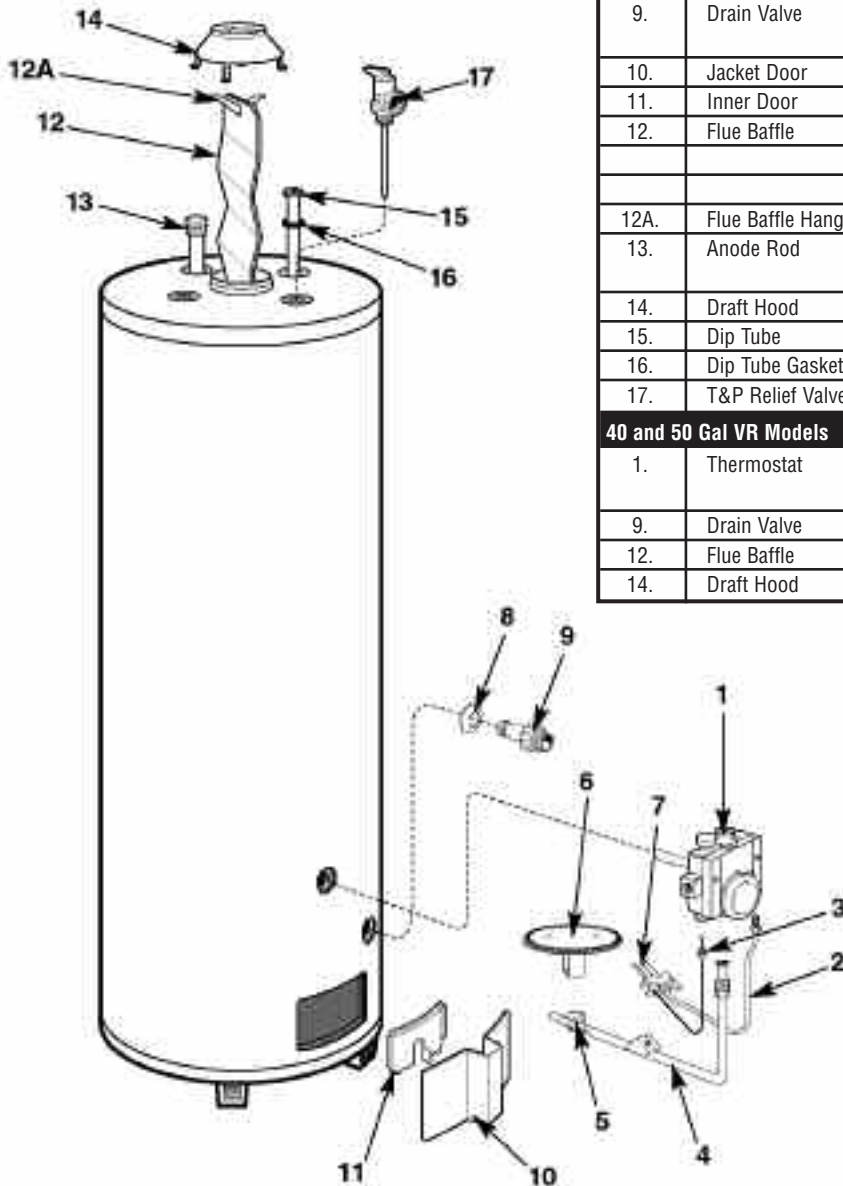
To place your order call 1-800-621-5622; fax 1-800-535-9538

# Residential Replacement Parts List

*All standing pilot models except direct vent and PowerVent*  
**NATURAL OR LP GAS (NON-FVIR)**

**Units manufactured prior to July, 2003**

Ref. No.	Part Description	Qty. Req.	Part Number
1.	Thermostat	1	(NAT) SP8555B
			(LP) SP12258B
2.	Pilot Supply Tube	1	N/A
3.	Thermocouple	1	SP6379K
4.	Burner Supply Tube	1 Burner Assembly	(30 Gal NAT) AM35050CNN
			(30 Gal LP) AM36336IJ
5.	Burner Orifice		(40 Gal NAT) AM35050DT
			(40 Gal LP) AM36336DZZ
6.	Burner		(50 Gal NAT) AM35050EFF
		(50 Gal LP) AM36336EZZ	
7.	Pilot Burner	1	SP8980B
8.	Drain Valve Shroud	1	AP9167
9.	Drain Valve	1	SP12039
			SP12112E (brass)
10.	Jacket Door	1	AM29254-4C
11.	Inner Door	1	AM29501
12.	Flue Baffle	1	(30 Gal) AM25812-1
			(40 Gal) AM25812-1
			(50 Gal) AM25816
12A.	Flue Baffle Hanger	1	AM20622C
13.	Anode Rod	1	(5 Year) SP11309C
			(10 Year) SP11526C
14.	Draft Hood	1	AM36352H
15.	Dip Tube	1	SP112481Q
16.	Dip Tube Gasket	1	AP6948-1
17.	T&P Relief Valve	1	SP12574
<b>40 and 50 Gal VR Models</b>			
1.	Thermostat	1	(NAT) SP8555P
			(LP) SP12258P
9.	Drain Valve	1	SP12112S
12.	Flue Baffle	1	AM38876
14.	Draft Hood	1	AM36333H



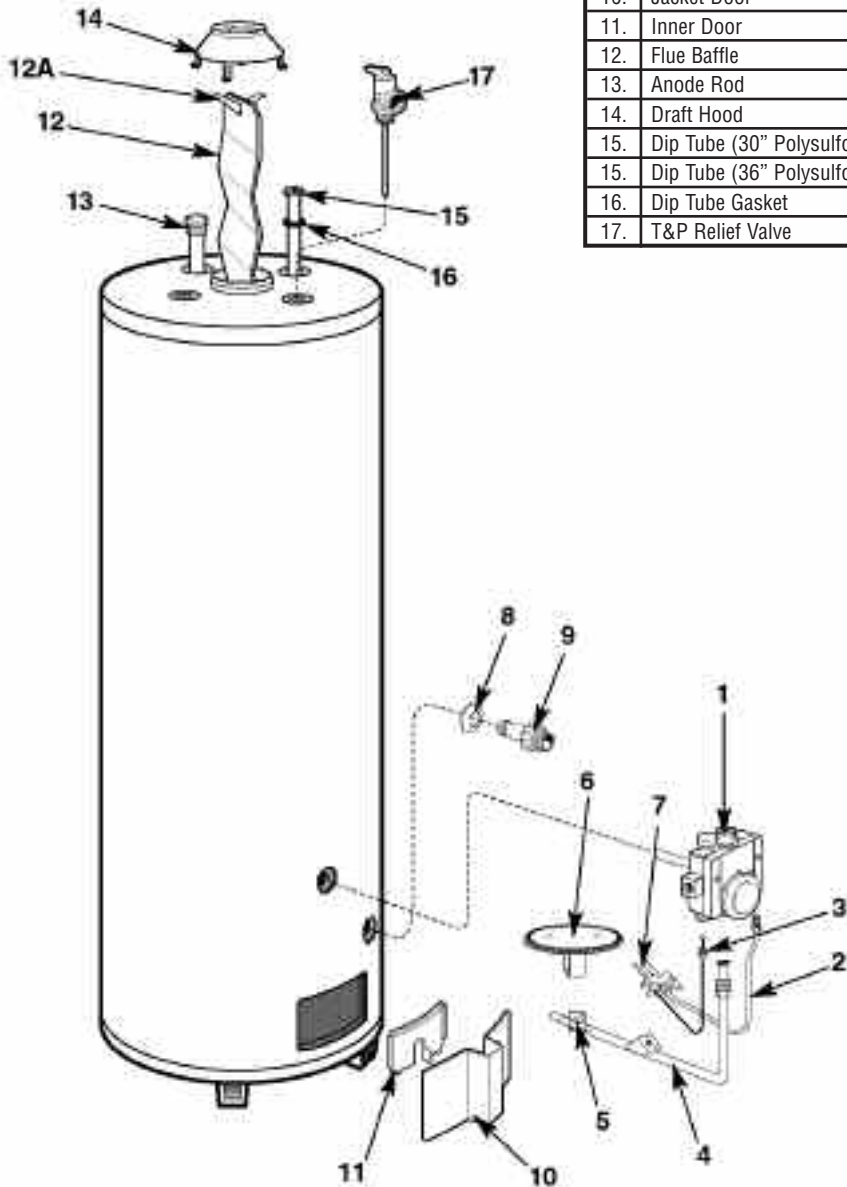
To place your order call 1-800-621-5622; fax 1-800-535-9538



## Residential Replacement Parts List

# 60-50 GALLON NATURAL OR LP GAS (NON-FVIR)

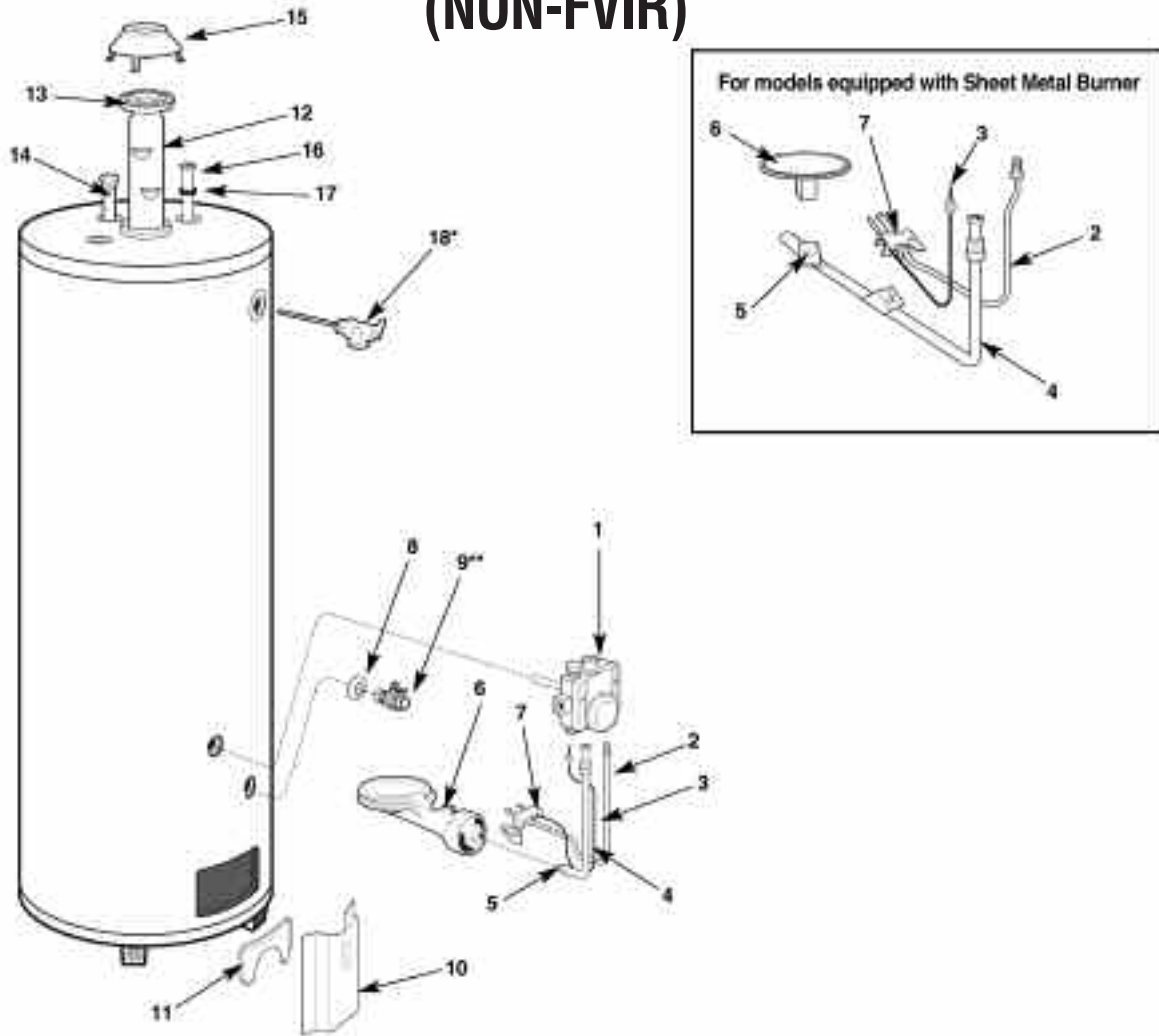
Ref. No.	Part Description	Qty. Req.	Part Number	
1.	Thermostat	1	(NAT) SP20085K	
2.	Pilot Supply Tube	1	N/A	
3.	Thermocouple	1	SP6379K	
4.	Burner Supply Tube	1 Burner Assembly	N/A	
5.	Burner Orifice		N/A	
6.	Burner Assembly NAT (#30 orifice)		SP20084A	
6A.	Assembly Low NOx (#30 orifice)		SP20084D	
6B.	Burner Assembly LP (#46 orifice)		SP20084E	
6C.	Assy LP High Altitude (#47 orifice)		SP20084F	
7.	Pilot Burner		N/A	
8.	Drain Valve Shroud	1	AP9167	
9.	Drain Valve	1	SP12112G	
10.	Jacket Door	1	SP20084K	
11.	Inner Door	1	SP20084H	
12.	Flue Baffle	1	SP20084G	
13.	Anode Rod	1	AP11526S	
14.	Draft Hood	1	SP20084J	
15.	Dip Tube (30" Polysulfone)	1	AP11251G	
15.	Dip Tube (36" Polysulfone)	1	AP11625Q	
16.	Dip Tube Gasket	1	AP6948-3	
17.	T&P Relief Valve	1	SP12574	



*To place your order call 1-800-621-5622; fax 1-800-535-9538*

## Residential Replacement Parts List

# 50-6, 75 & 100 GALLON MODELS: NATURAL OR LP GAS (NON-FVIR)

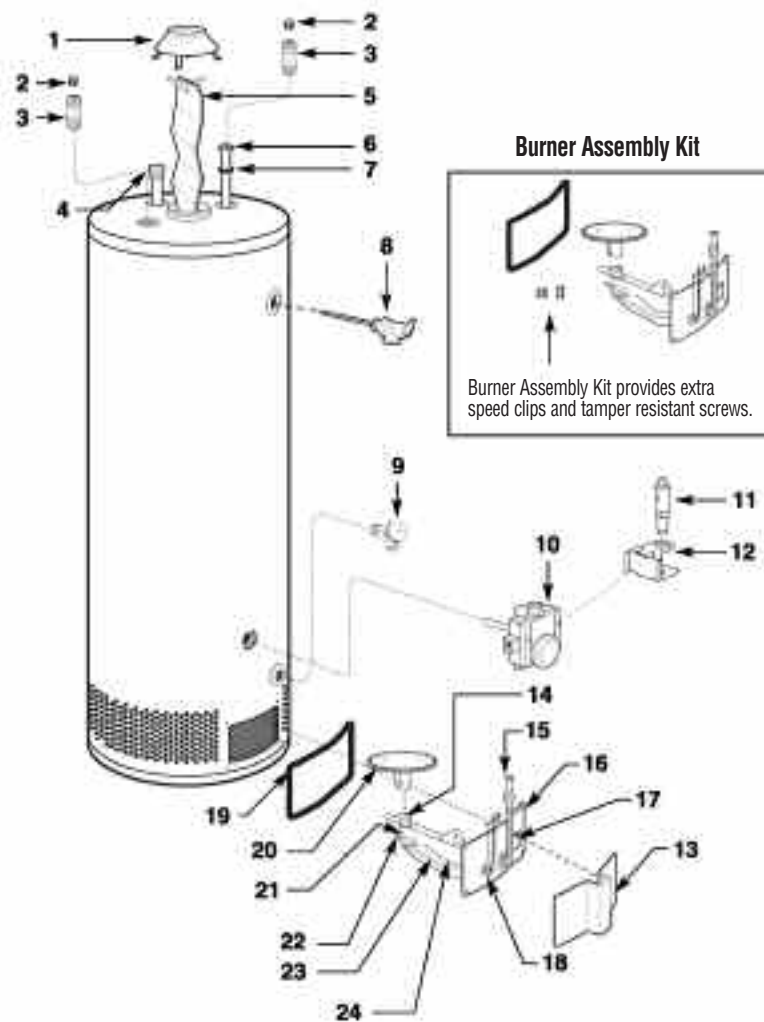


Ref. No.	Part Description	Qty. Req.	Part Number		
			50-6	75VR	100 Gal
1.	Thermostat	1	(NAT) SP10022P	(NAT) SP12491D	(NAT) SP10022F
			(LP) SP12258P	(LP) SP12258N	(LP) SP12258F
2.	Pilot Supply Tube	1	N/A	N/A	N/A
3.	Thermocouple	1	SP6379K	SP6379C	SP6379K
4.	Burner Supply Tube	1 Burner Assembly	(NAT) AM29602STT	AM39178BC	(NAT) AM29602FRR
5.	Burner Orifice		(LP) AM36419SN	(LP) AM36419RKK	(LP) AM36419FKK
6.	Burner	1	(NAT) SP8384B	(NAT) SP8980B	(NAT) SP8384B
7.	Pilot Burner		(LP) SP8384D	(LP) SP8384D	(LP) SP8384D
8.	Drain Valve Shroud	1	AP9167	AP9167	AP9167
9.	Drain Valve	1	SP12112S	SP12112S	SP12112E
10.	Jacket Door	1	AM21658C	AM21658C	AM21658C
11.	Inner Door	1	AM27902-2	AM27902-2	AM27902-2
12.	Flue Baffle	1	AM26055	AM26053	AM26054
12A.	Flue Baffle Hanger	1	N/A	N/A	N/A
13.	Flue Baffle Collar	1	AM25187	AM25187	AM25187
14.	Anode Rod	1	SP11309C	AP11525C	AP11525BD
15.	Draft Hood	1	AM25206	AM25206	AM25206
16.	Dip Tube	1	SP11269C	AP11273G	SP11269C
17.	Dip Tube Gasket	1	AP9060-1	AP9060-1	AP9060-1
18.	T&P Relief Valve	1	AP12575B-1	SP12575B	AP12576B-1

**To place your order call 1-800-621-5622; fax 1-800-535-9538**

## Residential Replacement Parts List

# 30, 40 AND 50 GALLON FVIR MODELS (Flammable Vapor Ignition Resistant System) NATURAL OR LP GAS



To place orders call  
**1-800-621-5622**

All parts orders should include:

1. The model and serial number of the water heater from the rating plate.
2. Specify type of gas (natural or LP) as marked on the rating plate.
3. Part description (as noted below) and number of parts desired.

Ref. No.	Part Description	Qty. Req.
1.	Draft Hood	1
2.	Heat Traps	1
3.	Lined Nipples	1
4.	Anode Rod	1
5.	Flue Baffle & Hanger	1
6.	Dip Tube	1
7.	Dip Tube Gasket	1
8.	T&P Relief Valve	1
9.	Drain Valve	1
10.	Gas Control (thermostat)	1
11.	Piezo Ignition Ignitor	1
12.	Mounting Bracket	1
13.	Jacket Door	1
14.	Burner Orifice	1 Burner Assembly
15.	Burner Supply Tube	
16.	Burner Access Door	
17.	Sight Glass	
18.	Burner Access Door Grommet	
19.	Burner Access Door Gasket	
20.	Burner	
21.	Pilot Burner and Piezo Electrode	
22.	Thermocouple	
23.	Pilot Supply Tube	
24.	Piezo Ignitor Wire	

### Units manufactured between July, 2003 – December, 2003

Ref. No.	Part Description	Qty. Req.	Part Number		
			30 gallon models	40 gallon models	50 gallon models
1.	Draft Hood	1	AM36352-H	AM36352-H	AM36352-H
2.	Heat Traps	1	SP20003	N/A	N/A
3.	Lined Nipples	1	N/A	SP11623B (VR models only)	SP11623B (VR models only)
4.	Anode Rod	1	SP11309C	SP11309C	SP11309C
5.	Flue Baffle & Hanger	1	Call for Application	Call for Application	Call for Application
6.	Dip Tube	1	AP11625G-1	AP11625F-1	AP11625P
7.	Dip Tube Gasket	1	AP6948-3	AP6948-3	AP6948-3
8.	T&P Relief Valve	1	SP12574	SP12574	SP12574
9.	Drain Valve	1	SP12112E	SP12112E	SP12159B
10.	Gas Control (thermostat)	1	SP8555B (NAT)	SP12258B (LP)	SP12258B (LP)
11.	Piezo Ignition Ignitor	1	SP20055	SP20055	SP20055
12.	Mounting Bracket	1	SP20055	SP20055	SP20055
13.	Jacket Door	1	AS39789-2C	AS39789-2C	AS39789-2C
	Burner Kit	1	Call for Application	Call for Application	Call for Application
	Gasket Kit	1	SP20063	SP20063	SP20063
	Thermocouple Kit	1	SP20064	SP20064	SP20064

**To place your order call 1-800-621-5622; fax 1-800-535-9538**

## Residential Replacement Parts List

# 30, 40 AND 50 GALLON FVIR MODELS (Flammable Vapor Ignition Resistant System) NATURAL OR LP GAS

**For NAECA V-PLUS units manufactured between January, 2004 and September 2007**

Ref. No.	Part Description	Qty. Req.	Part Number		
			30 gallon models	40 gallon models	50 gallon models
1.	Draft Hood	1	AM36352-H	AM36352-H	AM36352-H
4.	Anode Rod	1	SP11309C (6-YR) SP11526C (12-YR)	SP11309C(6-YR) SP11526C (12-YR)	SP11309C(6-YR) SP11526C (12-YR)
5.	Flue Baffle & Hanger	1	Call for Application	Call for Application	Call for Application
6.	Dip Tube	1	Call for Application	Call for Application	Call for Application
7.	Dip Tube Gasket	1	AP6948-3	AP6948-3	AP6948-3
8.	T&P Relief Valve	1	AP12575B-1	AP12575B-1	AP12575B-1
9.	Drain Valve	1	SP12112S	SP12112S	SP12112S
10.	Gas Control (thermostat)	1	SP8555T (NAT) SP13160D (LP)	SP8555T (NAT) SP13160D (LP)	SP8555T (NAT) SP13160D (LP)
13.	Jacket Door	1	AS39789-2C	AS39789-2C	AS39789-2C
	Drain Valve Shroud	1	AP9167	AP9167	AP9167
	Burner Kit	1	Call for Application	Call for Application	Call for Application
	Pilot Assembly Kit	1	SP20075 (NAT) SP20076 (LP)	SP20075 (NAT) SP20076 (LP)	SP20075 (NAT) SP20076 (LP)
	Thermocouple Kit	1	SP20064	SP20064	SP20064

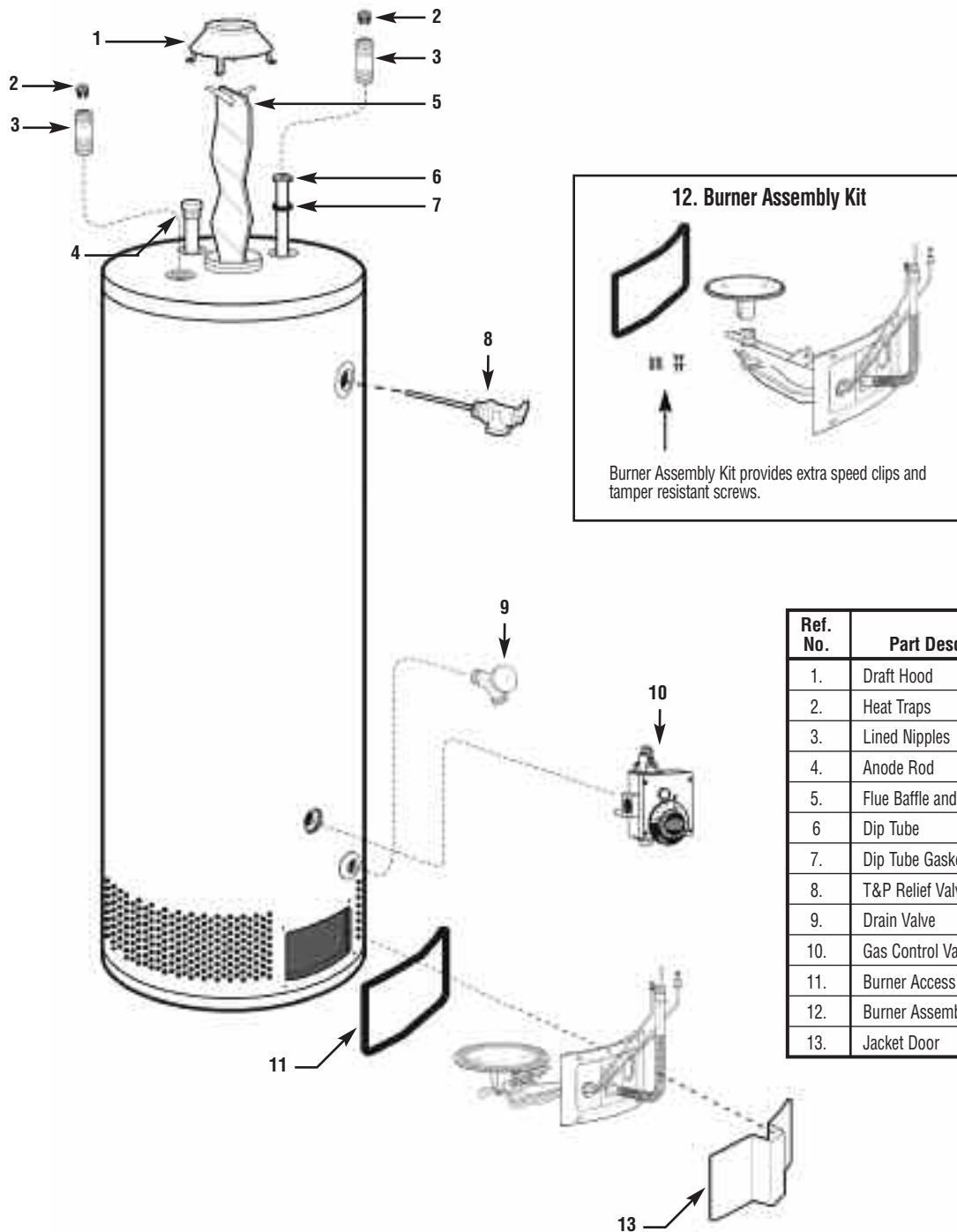
**For NAECA Non-VR units manufactured between January, 2004 and September 2007**

Ref. No.	Part Description	Qty. Req.	Part Number		
			30 gallon models	40 gallon models	50 gallon models
1.	Draft Hood	1	AM36333-H	AM36352-H	AM36352-H
4.	Anode Rod	1	SP11309C	SP11309C	SP11309C
5.	Flue Baffle & Hanger	1	Call for Application	Call for Application	Call for Application
6.	Dip Tube	1	Call for Application	Call for Application	Call for Application
7.	Dip Tube Gasket	1	AP6948-3	AP6948-3	AP6948-3
8.	T&P Relief Valve	1	SP8346	SP8346	SP8346
9.	Drain Valve	1	SP12112G	SP12112G	SP12112G
10.	Gas Control (thermostat)	1	SP8555R (NAT) SP13160E (LP)	SP8555R (NAT) SP13160E (LP)	SP8555R (NAT) SP13160E (LP)
13.	Jacket Door	1	AS39789-2C	AS39789-2C	AS39789-2C
	Drain Valve Shroud	1	AP9167	AP9167	AP9167
	Burner Kit	1	Call for Application	Call for Application	Call for Application
	Pilot Assembly Kit	1	SP20075 (NAT) SP20076 (LP)	SP20075 (NAT) SP20076 (LP)	SP20075 (NAT) SP20076 (LP)
	Thermocouple Kit	1	SP20064	SP20064	SP20064

**To place your order call 1-800-621-5622; fax 1-800-535-9538**

## Residential Replacement Parts List

# 30, 40, 50, 60 AND 75 GALLON ATMOSPHERIC FVIR MODELS NATURAL AND LP GAS FOR USE IN MODELS MANUFACTURED WITH WHITE-RODGERS CONTROLS AFTER SEPTEMBER 2007



Ref. No.	Part Description	Qty. Req.
1.	Draft Hood	1
2.	Heat Traps	2
3.	Lined Nipples	2
4.	Anode Rod	1
5.	Flue Baffle and Hanger	1
6.	Dip Tube	1
7.	Dip Tube Gasket	1
8.	T&P Relief Valve	1
9.	Drain Valve	1
10.	Gas Control Valve (thermostat)	1
11.	Burner Access Door Gasket	1
12.	Burner Assembly Kit	1
13.	Jacket Door	1

*To place your order call 1-800-621-5622; fax 1-800-535-9538*

# Residential Replacement Parts List

## 30, 40, 50, 60 AND 75 GALLON ATMOSPHERIC FVIR MODELS

### Cross Reference – Models with White-Rodgers Controls

Service Parts – White-Rodgers Controls (Sept. 2007)												
Rheem Model	Ruud Model	Gas Valve – NG	Gas Valve – LP	Pilot Assy Kit – NG	Pilot Assy Kit – LP	Thermo-couple Kit	Gasket Kit	Piezo				
<b>PROFESSIONAL SERIES WITH THE GUARDIAN SYSTEM - 30, 40, 50 and 60 Gallon Capacities</b>												
22V40 PROF	P2-40 PROF	SP14270G	N/A	SP20127	N/A	SP20129	SP20063	AP14316				
42V40 PROF	PH2-40 PROF	SP14270G	SP14269A		SP20128							
RHG PRO40-40F	RUG PRO40-40F	SP14270H	SP14269D		SP20128							
22V50 PROF	P2-50 PROF	SP14270G	N/A		N/A							
42V50-40 PROF	PH2-50-40 PROF	SP14270F	SP14269E		SP20128							
RHG PRO50-40F	RUG PRO50-40F	SP14270H	SP14269D		SP20128							
RHG PRO50-50F	RUG PRO50-50F	SP14270K	N/A		N/A							
42V40SPROF	PH2-40SPROF	SP14270G	SP14269E		SP20128							
42V50SPROF	PH2-50SPROF	SP14270F	SP14269A		SP20128							
RHGPRO60F	RUGPRO60F	SP14270M	SP14269A		SP20128							
<b>FURY SERIES WITH THE GUARDIAN SYSTEM - 30, 40, 50 and 60 Gallon Capacities</b>												
42VR40-40F	PH2R40-40F	SP14270H	SP14269D	SP20127	SP20128	SP20129	SP20063	AP14316				
42VR50-40F	PH2R50-40F	SP14270H	SP14269D		SP20128							
22V30F	P2-30F	SP14270G	SP14269A		SP20128							
22V40-36F1	P40-36F1	SP14270G	N/A		N/A							
22V40F1	P2-40F1	SP14270G	N/A		N/A							
42V40F	PH2-40F	SP14270F	SP14269E		SP20128							
22V50F1	P2-50F1	SP14270G	N/A		N/A							
42V50-40F	PH2-50-40F	SP14270F	SP14269E		SP20128							
42V50-50F	PH2-50-50F	SP14270K	N/A		N/A							
22V30S-30F	P2-30S-30F	SP14270F	N/A		N/A							
22V40SF	P2-40SF	SP14270G	SP14269A		SP20128							
42V40SF	PH2-40SF	SP14270G	SP14269A		SP20128							
42V50SF	PH50SF	SP14270G	SP14269A		SP20128							
42V60F	PH2-60F	SP14270M	SP14269A		SP20128							
<b>PROFESSIONAL AND FURY SERIES WITH THE GUARDIAN SYSTEM - 75 Gallon Capacity</b>												
RHGPRO75F	RUGPRO75F	SP14339	SP14340		SP20127				SP20128	SP20129	SP20063	AP14316
42V75F	PH2-75F	SP14339	SP14340	SP20127	SP20128	SP20129	SP20063	AP14316				

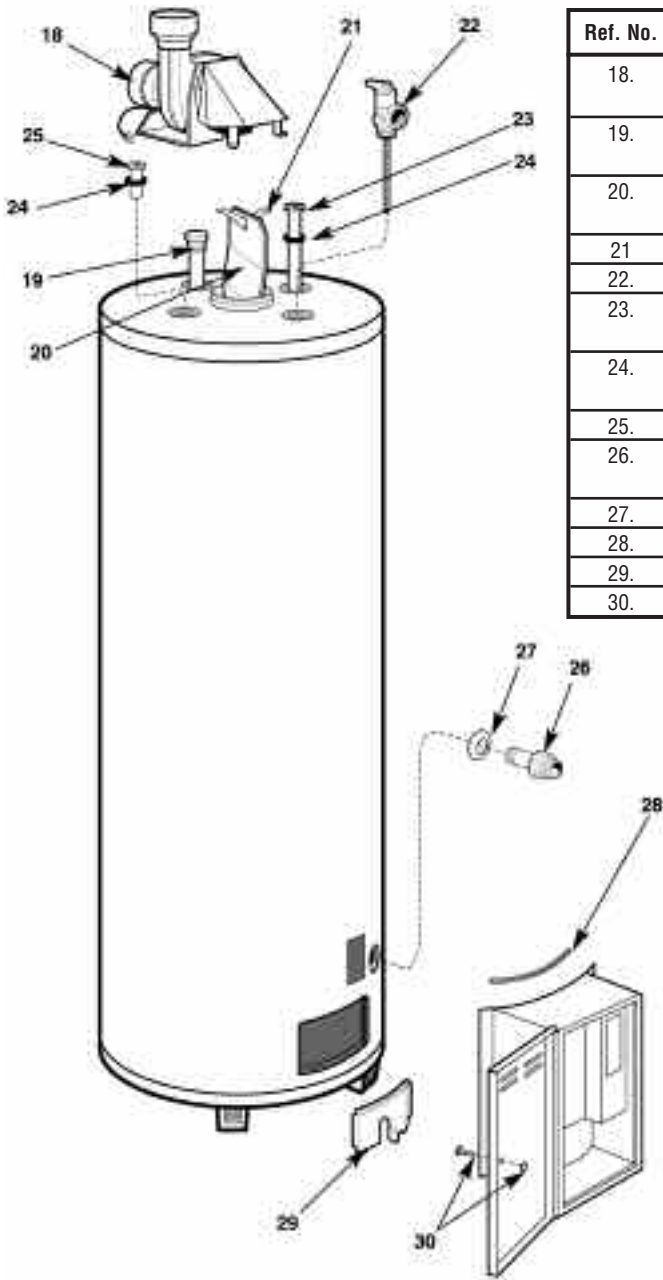
Note: This cross reference covers parts specific to models using White-Rodgers Controls only. Common service parts such as draft hoods, anode rods, flue baffles, dip tubes, T & P relief valves, jacket doors, drain valves and burner kits remain unchanged, and can be referenced on Page 48.



# Residential Replacement Parts List

## Spark Ignition

### POWER VENTED MODELS: NATURAL OR LP GAS



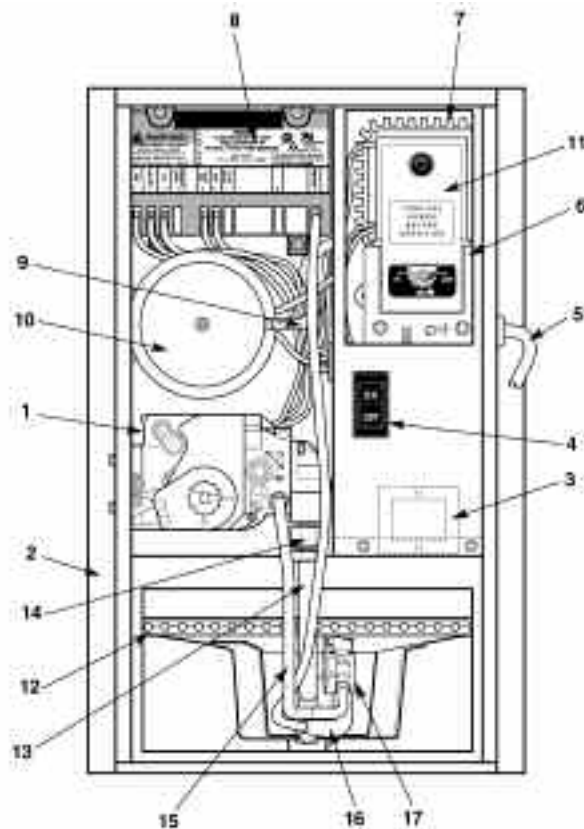
Ref. No.	Part Description	Qty. Req.	Part Number	
18.	Vent Fan Assembly	1	(40/50 Gal) AP10983-4	
			(75 Gal) AP11608-1	
19.	Anode	1	(40/50 Gal) SP11309C	
			(75 Gal) 11526C	
20.	Flue Baffle Assembly	1	(40/50 Gal) AM20622C	
			(75 Gal) AM38168	
21.	Flue Baffle Hanger	1	(All models) AM20622C	
22.	T & P Relief Valve	1	(All models) SP6571B	
23.	Heat Trap Dip Tube	1	(40/50 Gal) AP10768C-4	
			(75 Gal) SP11269C	
24.	Dip Tube Gasket	1	(40/50 Gal) AP6948-3	
			(75 Gal) AP9060-1	
25.	Hot Outlet Heat Trap	1	(40/50 Gal) AP8910-1	
26.	Drain Valve	1	(40/50 Gal) SP12039	
			(75 Gal) SP12112G	
27.	Drain Valve Shroud	1	(All models) AP2480-3	
28.	Enclosure Box Gasket	1	N/A	
29.	Inner door	1	(All models) AM29501	
30.	Captive Screw w/ Retainer	1	(All models) AP8162B-1	

To place your order call 1-800-621-5622; fax 1-800-535-9538

# Residential Replacement Parts List

## Spark Ignition

### POWER VENTED MODELS: NATURAL OR LP GAS

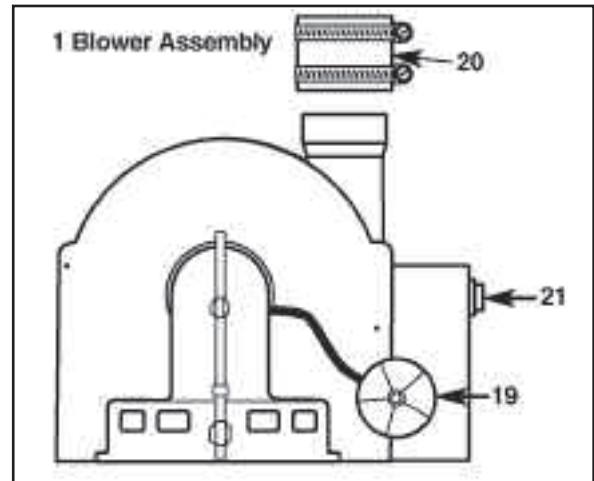
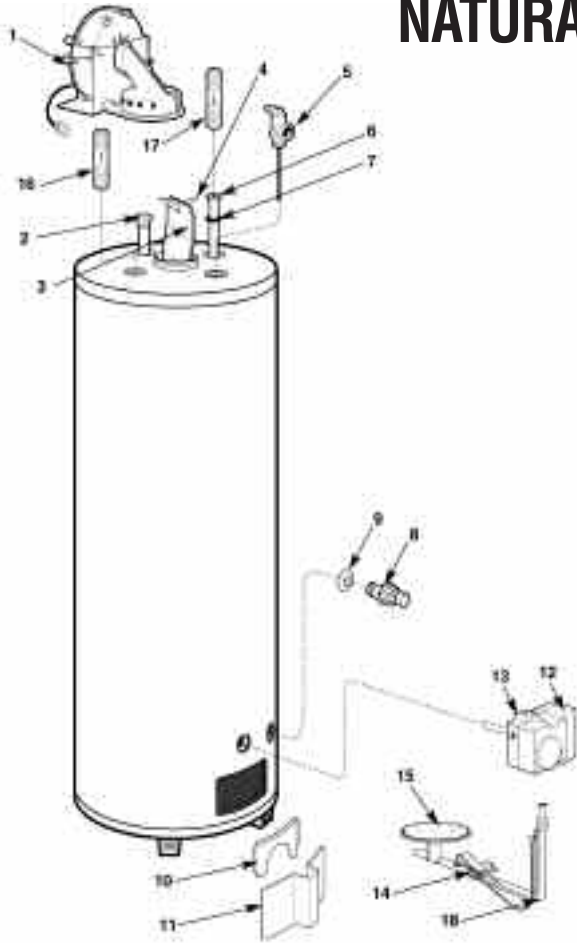


Ref. No.	Part Description	Qty. Req.	Part Number
1.	Gas Control Valve	1	(NAT) SP11652B (LP) SP11652C
2.	Assembly, Control Enclosure	1	N/A
3.	Transformer	1	SP11787
4.	On/Off Switch	1	SP10778
5.	Assembly, Power Cord	1	AM36917
6.	Thermostat Bracket	1	AM37830
7.	Composite Edge Grommet	1	AP10780-1
8.	Ignition Control	1	SP10763B
9.	Vinyl Vacuum Tubing	1	AP10723-2
10.	Vacuum Switch	1	SP11875
11.	Thermostat	1	SP12390
12.	Burner	1	(40 Gal NAT) AM38380C (40 Gal LP) AM38379C (50 Gal NAT) AM38380B (50 Gal LP) AM38379B (75 Gal NAT) AM38140 (75 Gal LP) AM38142
13.	Burner Supply Tube	1	N/A
14.	Inverted Flare Nut	1	AP10691-2
15.	Pilot Supply Tube	1	N/A
16.	Ignitor Cable	1	SP8828D
17.	Pilot / Electrode Assembly	1	(before September 1998: NAT) SP10764B (before September 1998: LP) SP10764C (after September 1998: 40/50 Gal NAT) SP12049B (after September 1998: 40/50 Gal LP) SP12049C (after September 1998: 75 Gal NAT) SP12049D (after September 1998: 75 Gal LP) SP12049E

To place your order call 1-800-621-5622; fax 1-800-535-9538

## Residential Replacement Parts List

# POWER VENTED - 2 IN. VENT: 40 AND 50 GALLON MODELS NATURAL OR LP GAS

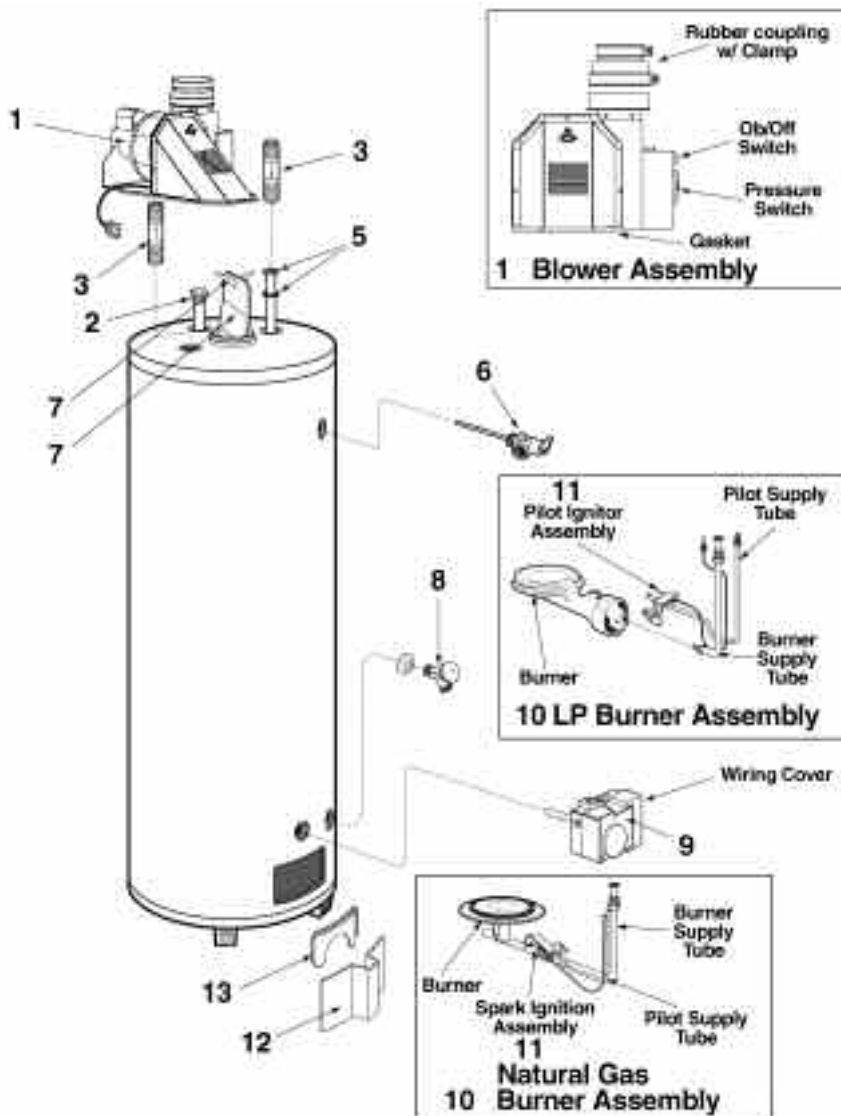


Ref. No.	Part Description	Qty. Req.	Part Number
1.	Blower Assembly	1	SP12562
2.	Anode Rod	1	SP11309C
3.	Flue Baffle Assembly	1	AM39341
4.	Flue Baffle Hanger	1	N/A
5.	T & P Relief Valve	1	SP8346
6.	Dip Tube	1	SP11251R
7.	Dip Tube Gasket	1	AP6948-1
8.	Drain Valve	1	SP12112S
9.	Drain Valve Shroud	1	AP9167
10.	Inner Door	1	AM29501
11.	Outer Door	1	AM29254-4C
12.	Protective Cover	1	AP12558
13.	Thermostat	1	(NAT) SP12556 (LP) SP12557
14.	Spark Ignitor Assembly	1	(NAT) SP12560B (LP) SP12560C
15.	Main Burner Assembly	1	(40 Gal NAT Low NOx) AM39503RY (40 Gal LP) AM39504RM (50 Gal NAT Low NOx) AM39503SY (50 Gal LP) AM39504SM
16.	Heat Trap Hot	1	SP20003 Kit
17.	Heat Trap Cold	1	SP20003 Kit
18.	Burner Supply Tube	1	N/A
19.	Pressure Switch	1	SP12766
20.	Rubber Coupling	1	SP12658
21.	On/Off Switch	1	AP12767

**To place your order call 1-800-621-5622; fax 1-800-535-9538**

# Residential Replacement Parts List

## 75 GALLON POWERVENT NATURAL OR LP GAS

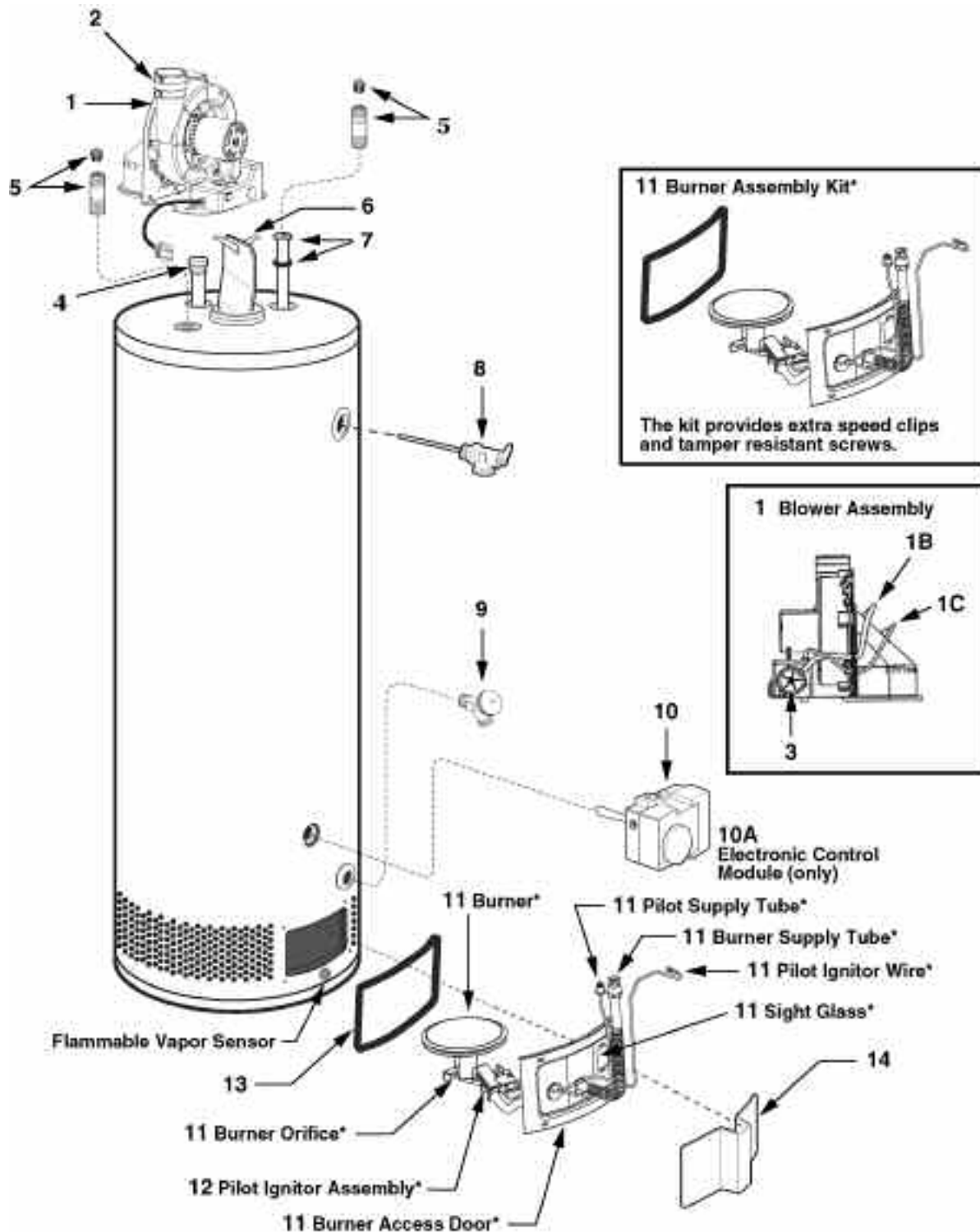


Ref. No.	Part Description	Qty. Req.	Part Number
1.	Blower Assembly	1	AP13211
2.	Anode Rod	1	AP11525C
3.	Heat Trap Nipple (Hot)	1	AP13163-1
3.	Heat Trap Nipple (Cold)	1	AP13164-1
5.	Dip Tube with Gasket	1	AP13226A
6.	T & P Relief Valve	1	SP12575B
7.	Flue Baffle with Hanger	1	(NAT) AM40182 (LP) AM40427
8.	Drain Valve	1	SP12112S
9.	Gas Control (Thermostat)	1	(NAT) SP12556 (LP) SP12557
10.	Burner Assembly	1	(NAT) AM40195BA (LP) AM40448
11.	Pilot Ignitor Assembly	1	(NAT) SP12560B (LP) SP12049E
12.	Jacket Door	1	AM21658-2C
13.	Inner Door	1	AM27902-2

To place your order call 1-800-621-5622; fax 1-800-535-9538

# Residential Replacement Parts List

## POWERVENT (FVIR COMPLIANT) MANUFACTURED BETWEEN JULY 2006 AND OCTOBER 2007 40 AND 50 GALLON MODELS: NATURAL OR LP GAS WITH INVENSYS (ROBERTSHAW) CONTROLS



To place your order call 1-800-621-5622; fax 1-800-535-9538

## Residential Replacement Parts List

# POWERVENT (FVIR COMPLIANT) MANUFACTURED BETWEEN JULY 2006 AND OCTOBER 2007 40 AND 50 GALLON MODELS: NATURAL OR LP GAS WITH INVENSYS (ROBERTSHAW) CONTROLS

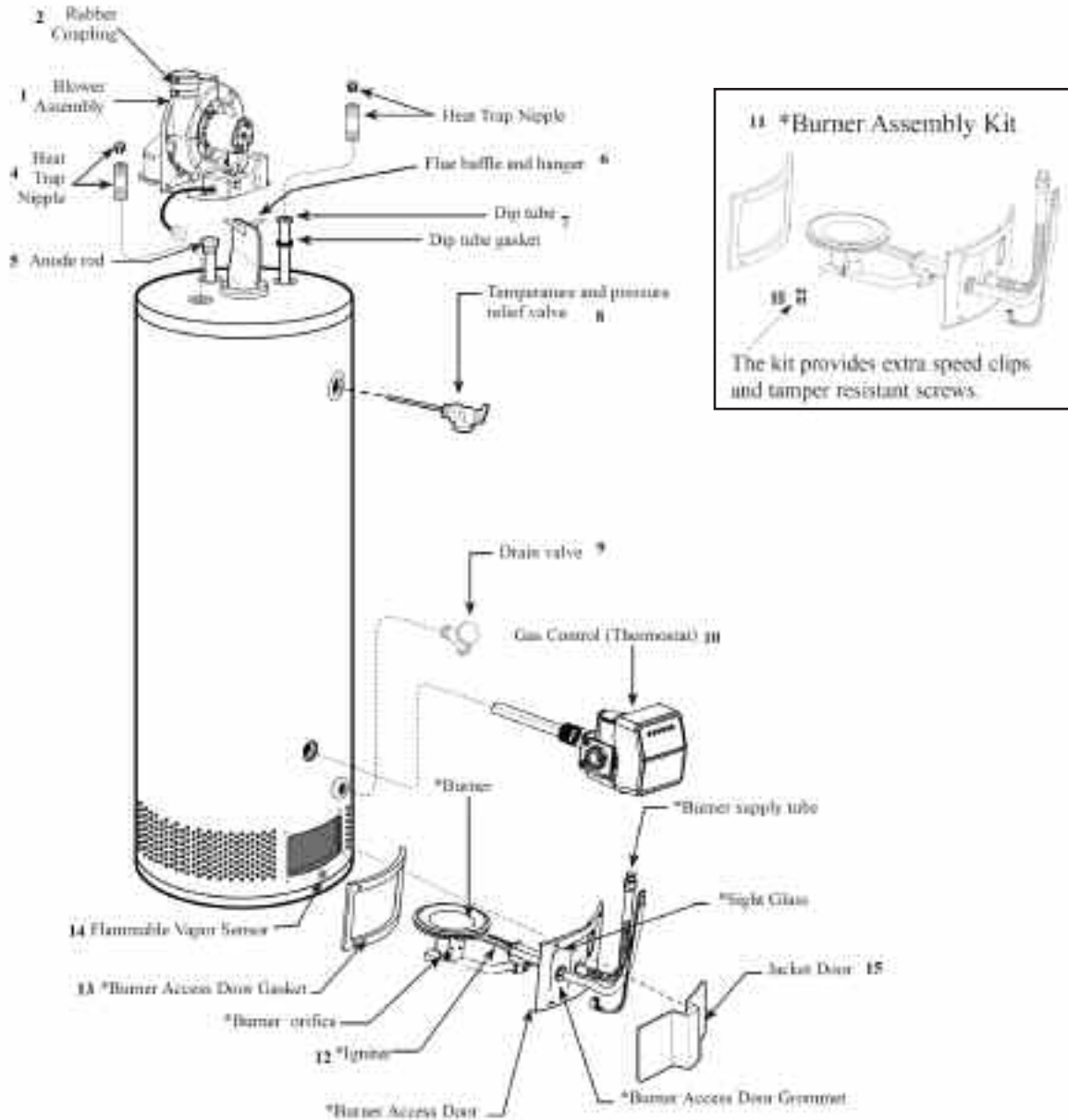
Ref. No.	Part Number	Description.	Model(s)
1	SP13416	Blower - High Performance	42VP40F, 42VP50F, 42VP40PF, 42VP50PF
1	SP13605	Blower - Low Noise	42VP40SF, 42VP50SF, 42VP40SPF, 42VP50SPF
3	SP20116	Vacuum Switch - HP Blower Assy	42VP40F, 42VP40PF, 42VP50F, 42VP50PF
3	SP20117	Vacuum Switch - Low Noise Blower Assy	42VP40SF, 42VP40SPF, 42VP50SF, 42VP50SPF
4	SP11903C	Anode Rod	All
5	SP20003	Heat Trap Nipples	All
7	SP11625R	Dip Tube - 34.5" Helix	42VP50F, 42VP50PF
7	SP11625G	Dip Tube - 32" Helix	42VP40F, 42VP40PF
7	SP11625S	Dip Tube - 30" Helix	42VP40SF, 42VP40SPF, 42VP50SF, 42VP50SPF
9	SP12112G	Drain Valve	All
10	SP13458	FV Wiper Control - NG (2.375" Shank, 160°F)	42VP40F, 42VP50F
10	SP13458D	FV Wiper Control - NG (1.5" Shank, 160°F)	42VP40SF, 42VP50SF
10	SP13459	FV Wiper Control - LP (2.375" Shank, 160°F)	42VP40PF, 42VP50PF
10	SP13459B	FV Wiper Control - LP (1.50" Shank, 160°F)	42VP40SPF, 42VP50SPF
12	SP13418	Pilot Assy - NG	42VP40F
12	SP13419	Pilot Assy - LP	42VP40PF
12	SP13420	Pilot Assy - NG	42VP40SF
12	SP13421	Pilot Assy - LP	42VP40SPF
12	SP13422	Pilot Assy - NG	42VP50F
12	SP13423	Pilot Assy - LP	42VP50PF
12	SP13424	Pilot Assy - NG	42VP50SF
12	SP13425	Pilot Assy - LP	42VP50SPF
13	SP20063	Inner Door Gasket Kit	All
10A	SP20123B	Control - FV Wiper Electronics	All
1b	SP20120	Hose - Pressure Switch	All
Not Shown	SP20122	Blower - Gasket	All
Not Shown	SP13447B	FV Sensor/FV Wiper Replacement Kit	All

*To place your order call 1-800-621-5622; fax 1-800-535-9538*



## Residential Replacement Parts List

# POWERVENT (FVIR COMPLIANT) MANUFACTURED AFTER OCTOBER 2007 40, 50, 60 AND 75 GALLON MODELS: NATURAL OR LP GAS WITH WHITE-RODGERS INTELLI-VENT CONTROLS

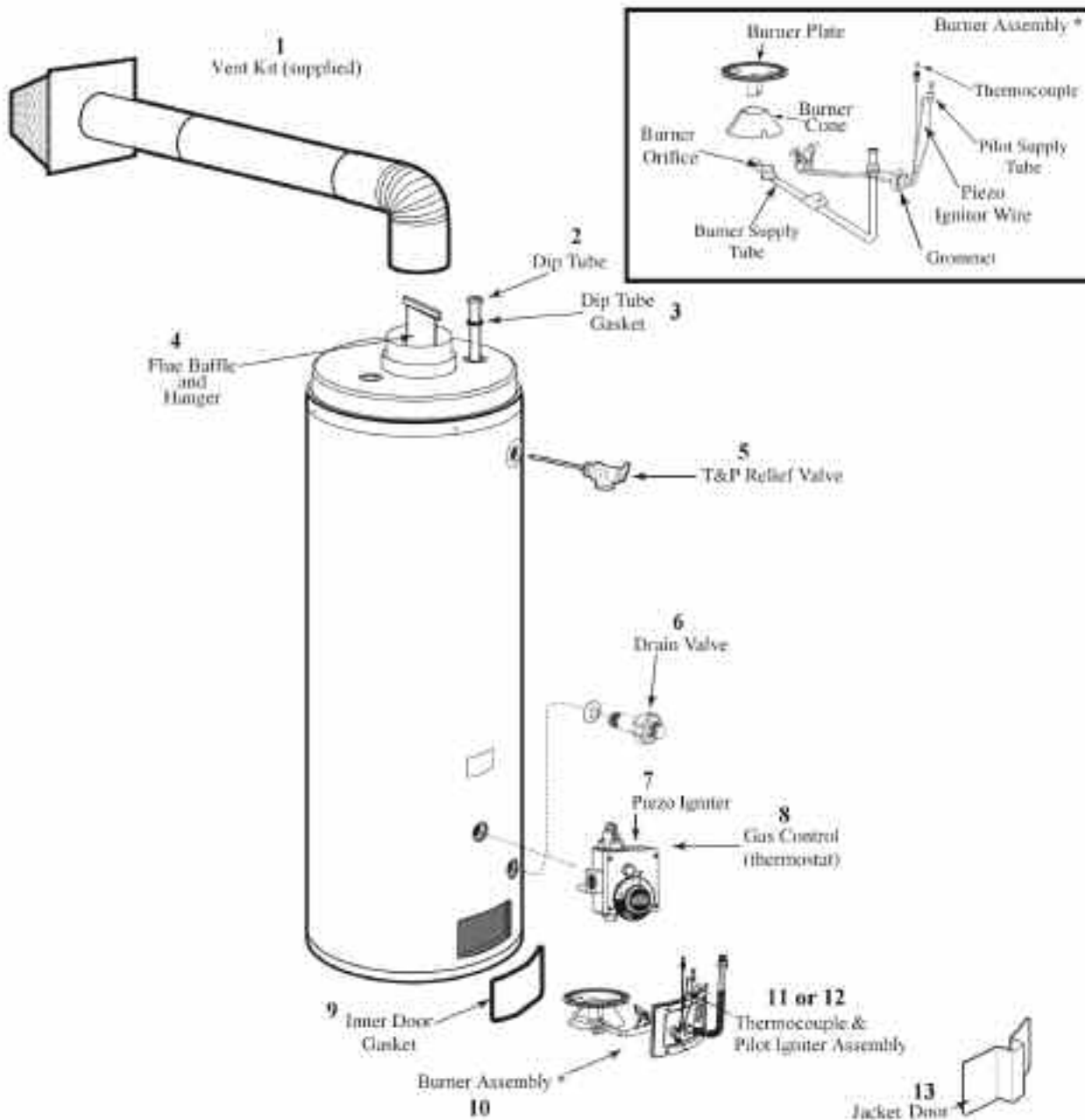


Rheem Model	Ruud Model	Gas Valve – Natural Gas	Gas Valve – LP Gas	Hot Surface Ignitor Kit	Blower Assembly	Gasket Kit	Relief Valve
<b>RHEEM AND RUUD MODELS WITH WHITE-RODGERS GAS CONTROL VALVES</b>							
42VP40FW	PVP40FW	SP13845A	SP13846A	SP14281B	SP13416	SP20063	SP8346
42VP50FW	PVP50FW	SP13845A	SP13846A	SP14281B	SP13416	SP20063	SP8346
42VP40SFW	PVP40SFW	SP13845B	SP13846B	SP14281B	SP13605	SP20063	SP12574
42VP50SFW	PVP50SFW	SP13845B	SP13846B	SP14281B	SP13605	SP20063	SP12574
42VP60FW	PVP60FW	SP13845B	SP13846B	SP14281B	SP14140	SP20063	SP12574
42VP75FW	PVP75FW	SP13845A	SP13846A	SP14281B	AP14378	SP20063	SP12575

*To place your order call 1-800-621-5622; fax 1-800-535-9538*

## Residential Replacement Parts List

# DIRECT VENT (FVIR) MODELS: NATURAL AND LP GAS MANUFACTURED AFTER OCTOBER 2007



## Direct Vent with the Guardian System™ Parts Cross Reference Chart

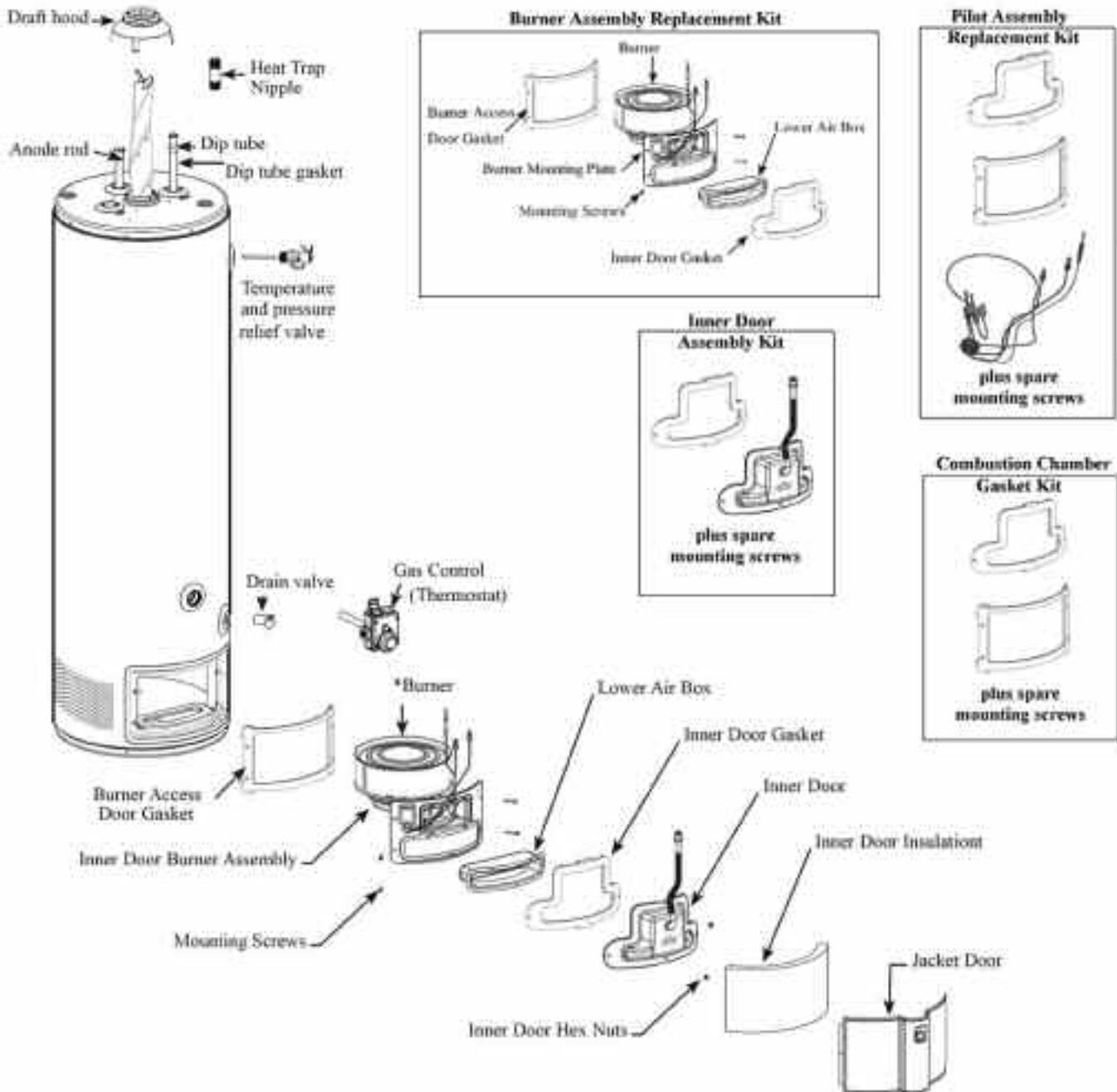
Rheem Model	Ruud Model	Gas Valve – NG	Gas Valve – LP	Pilot Assy. Replacement Kit – NG	Pilot Assy. Replacement Kit – LP	Thermocouple Replacement Kit	Gasket Kit	Relief Valve
<b>RHEEM FURY SERIES / RUUD PACEMAKER SERIES</b>								
22DV40F	PH2DV40F	SP14270K	SP14269E	SP20159	SP20160	SP20129	SP20063	SP12576C
22DV50F	PH2DV50F	SP14270K	SP14269E	SP20159	SP20160	SP20129	SP20063	SP12576C

*To place your order call 1-800-621-5622; fax 1-800-535-9538*

# Residential Replacement Parts List

## ULTRA LOW NO<sub>x</sub> NATURAL GAS MODELS ONLY (FVIR)

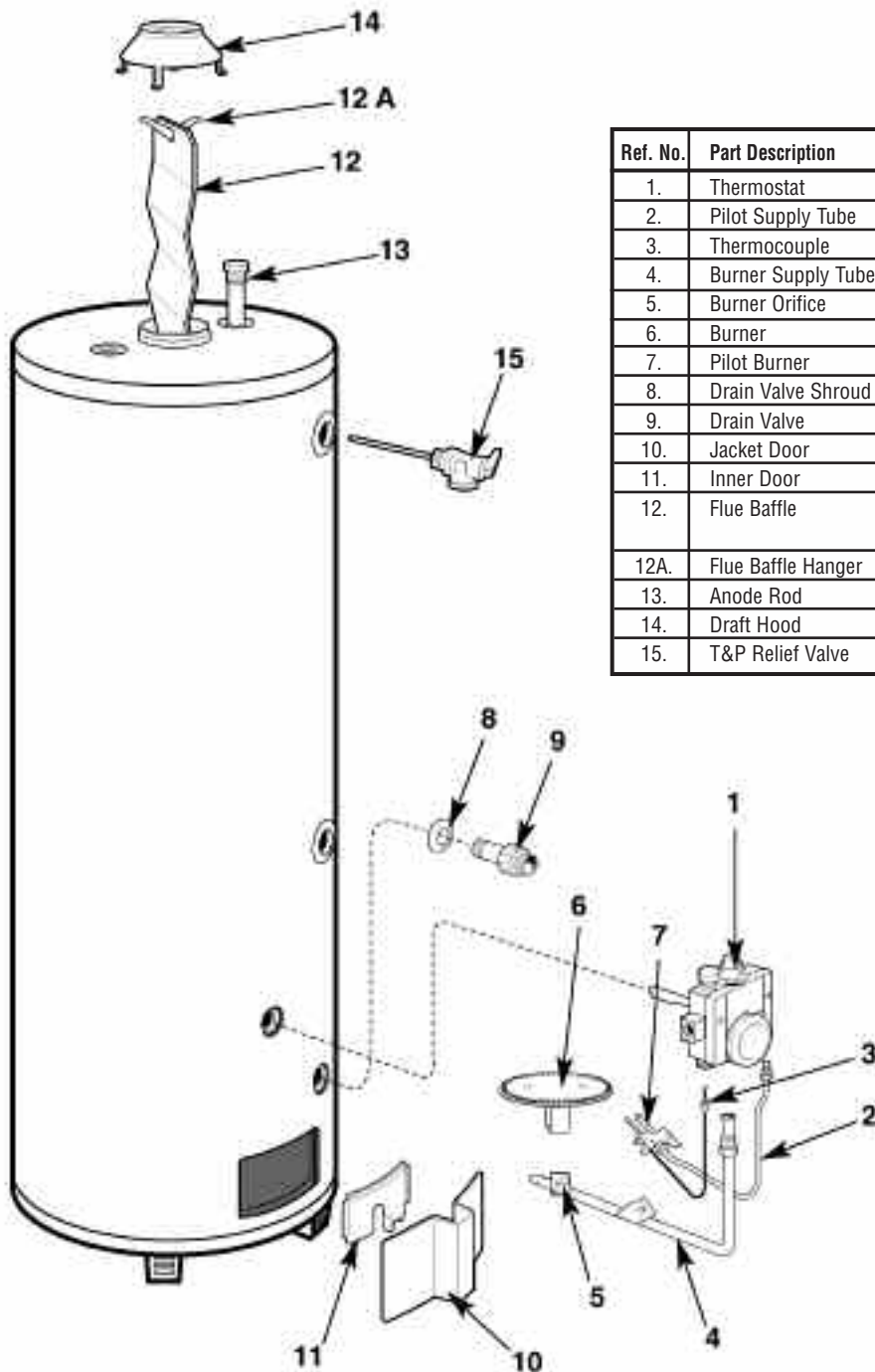
Complies with South Coast Air Quality Management District  
(SCAQMD) Requirements



To place your order call 1-800-621-5622; fax 1-800-535-9538

## Residential Replacement Parts List

# 30 & 40 GALLON MODELS FOR MANUFACTURED HOUSING, WITH CONVERTIBLE GAS CONTROL FOR NATURAL OR LP GAS

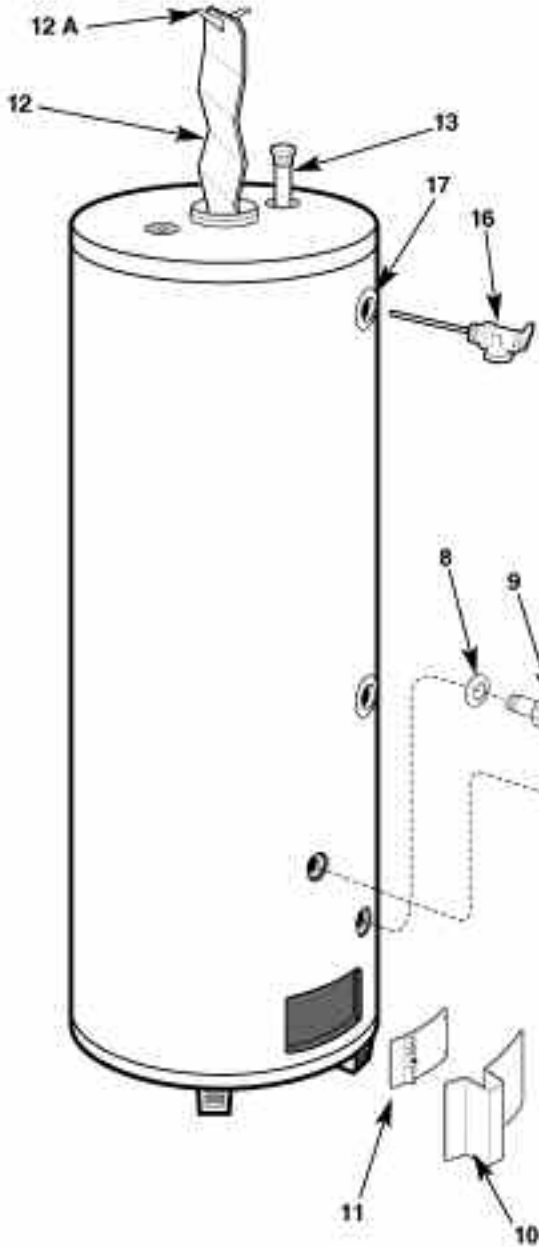


Ref. No.	Part Description	Qty. Req.	Part No.	
1.	Thermostat	1	SP9051B	
2.	Pilot Supply Tube	1	N/A	
3.	Thermocouple	1	SP6379E	
4.	Burner Supply Tube	1 Burner Assembly	(30 Gal) AM35050CT	
5.	Burner Orifice		(40 Gal) AM35050DT	
6.	Burner			
7.	Pilot Burner	1	SP8980B	
8.	Drain Valve Shroud	1	AP9167	
9.	Drain Valve	1	AP12039	
10.	Jacket Door	1	AM29254-4C	
11.	Inner Door	1	AM29501	
12.	Flue Baffle	1	(30 Gal) AM25812	
			(40 Gal) AM29068	
12A.	Flue Baffle Hanger	1	AM20622C	
13.	Anode Rod	1	SP11309C	
14.	Draft Hood	1	AM36352H	
15.	T&P Relief Valve	1	SP12574	

*To place your order call 1-800-621-5622; fax 1-800-535-9538*

## Residential Replacement Parts List

# 30, 40 & 50 GALLON DIRECT VENT MODELS FOR MANUFACTURED HOUSING, WITH CONVERTIBLE GAS CONTROL FOR NATURAL OR LP GAS

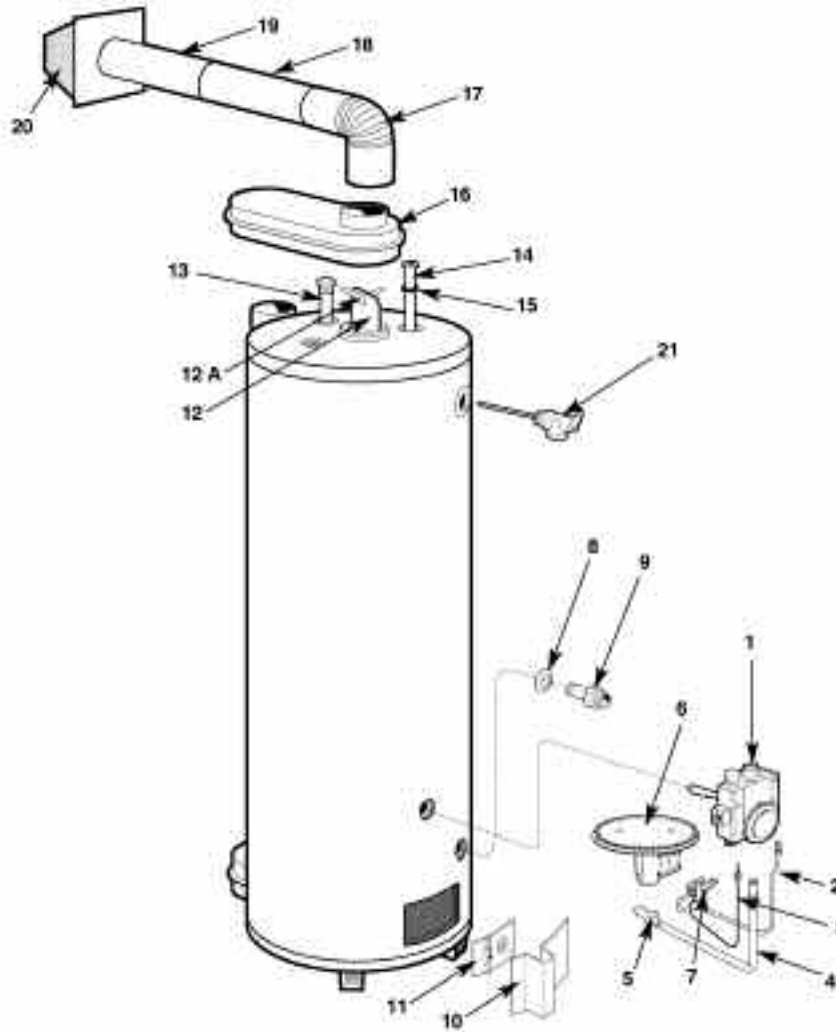


Ref. No.	Part Description	Qty. Req.	Part Number	
1.	Thermostat	1	SP9051B	
2.	Pilot Supply Tube	1	N/A	
3.	Thermocouple	1	SP6379R	
4.	Burner Supply Tube	1	(30 Gal) AM28804BHH	
5.	Burner Orifice	Burner Assembly	(40 Gal) AM38804CHH	
6.	Burner		(50 Gal) AM38804DNN	
7.	Pilot Burner	1	SP8384E	
8.	Drain Valve Shroud	1	AP9167	
9.	Drain Valve	1	SP12039	
10.	Jacket Door	1	AM35622	
11.	Inner Door	1	AM38692	
12.	Flue Baffle	1	AM29201	
12A.	Flue Baffle Hanger	1	AM20622C	
13.	Anode Rod	1	SP11309C	
14.	Roof Jack Assembly	1	As Required	
15.	Air Inlet Assembly	1	AP12019B	
16.	T&P Relief Valve	1	SP12574	
17.	Shroud, Relief Valve	1	AP9167	

*To place your order call 1-800-621-5622; fax 1-800-535-9538*

## Residential Replacement Parts List

# DIRECT VENT (NON-FVIR) MODELS: NATURAL GAS ONLY



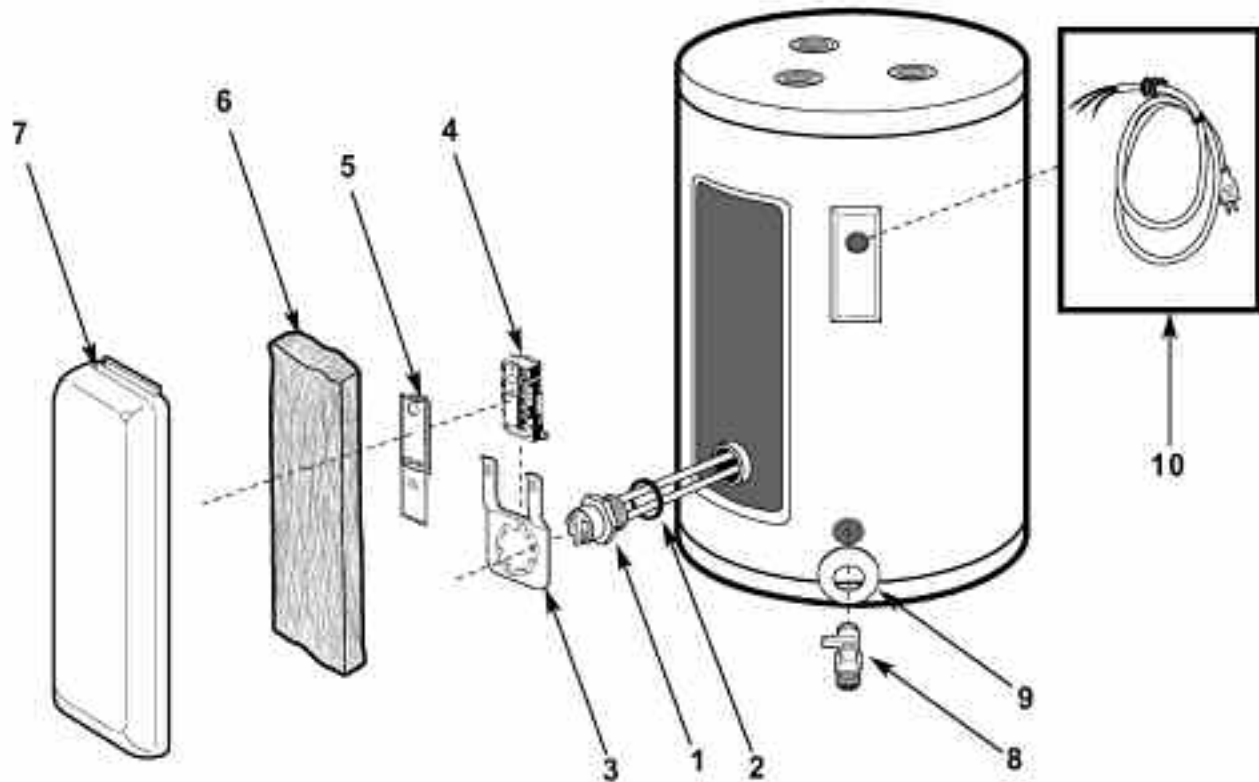
Ref. No.	Part Description	Qty. Req.	21DV Model Part Number	22DV Model Part Number	
1.	Thermostat	1	SP8555B	SP8555U	
2.	Pilot Supply Tube	1	N/A	N/A	
3.	Thermocouple	1	SP6379R	SP6379R	
4.	Burner Supply Tube	1 Burner Assembly	AM35651DY	AM40497EY	
5.	Burner Orifice				
6.	Burner				
7.	Pilot Burner	1	SP8980B	SP12380B	
8.	Drain Valve Shroud	1	AP9167	AP9167	
9.	Drain Valve	1	SP12039	AP12159C-1	
10.	Jacket Door	1	AM35622	AM35622	
11.	Inner Door	1	AM38692	AM40615	
12.	Flue Baffle	1 Assembly	AE35629D-2	AE35629D-2	
12A.	Flue Baffle Hanger				
13.	Anode Rod	1	SP11309C	SP11309C	
14.	Dip Tube	1	SP11248R	AP11251H-2	
15.	Dip Tube Gasket	1	AP6948-1	AP6948-1	
16.	Upper Air Inlet Box	1	AM35613-H	AM40290-H	
17.	Air Tube Elbow	1	AP10197-1	AP10197-1	
18.	Sliding Air Tube	1	AP11126B-1	AP11126B-1	
19.	Main Air Tube	1	AP11126C-1	AP11126C-1	
20.	Vent Terminal Cap	1	AP11498	AP11498	
21.	T&P Relief Valve	1	SP12574	SP8346	

**To place your order call 1-800-621-5622; fax 1-800-535-9538**



# Residential Replacement Parts List

## 2 1/2 GALLON MODELS 120 OR 240 VOLT OPERATION

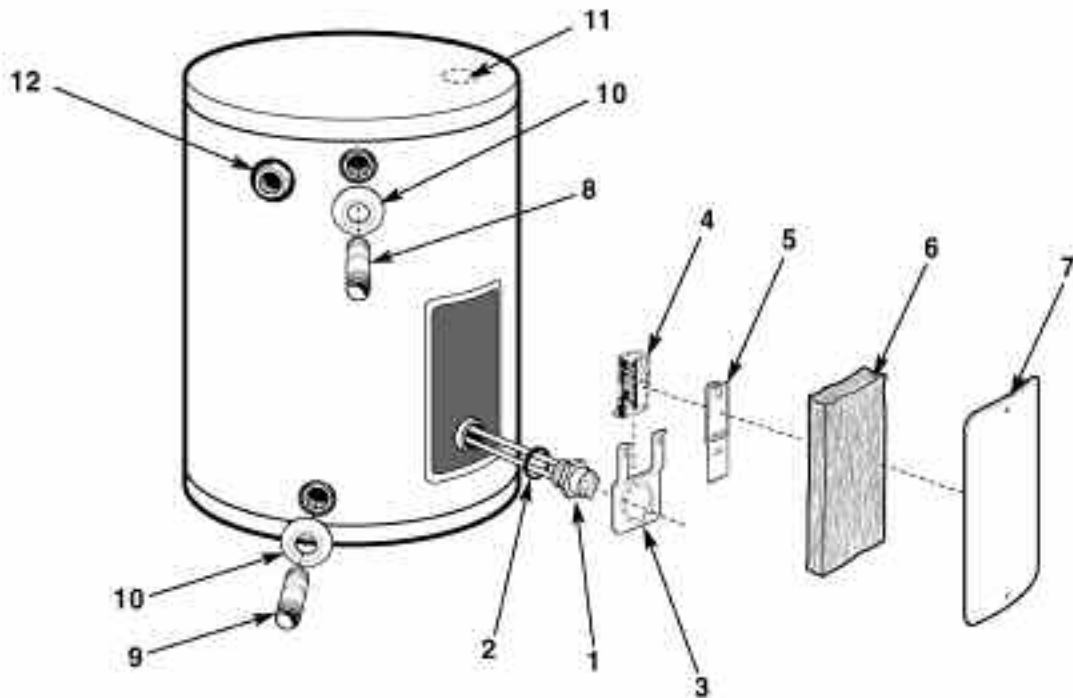


Ref. No.	Part Description	Qty. Req.	Part Number
1.	Heating Element	1	(120V) SP10868LH
			(240V) SP10869FH
2.	Heating Element Gasket	1	AP6708-9
3.	Thermostat Bracket	1	AM23557
4.	Thermostat	1	(120V) SP11700
			(240V) SP11699
5.	Thermostat Protective Cover	1	AP8413-9
6.	Cavity Insulation	1	AP9184-7
7.	Jacket Access Panel	1	AM38409-1C
8.	Drain Valve	1	(PVC) SP12039
			(Brass) SP12112G
9.	Drain Valve Shroud	1	AP2480-3
10.	Electrical Cord Set (120 VAC models ONLY)	1	AP10883-2

To place your order call 1-800-621-5622; fax 1-800-535-9538

# Residential Replacement Parts List

## 6 – 20 GALLON MODELS 120 OR 240 VOLT OPERATION

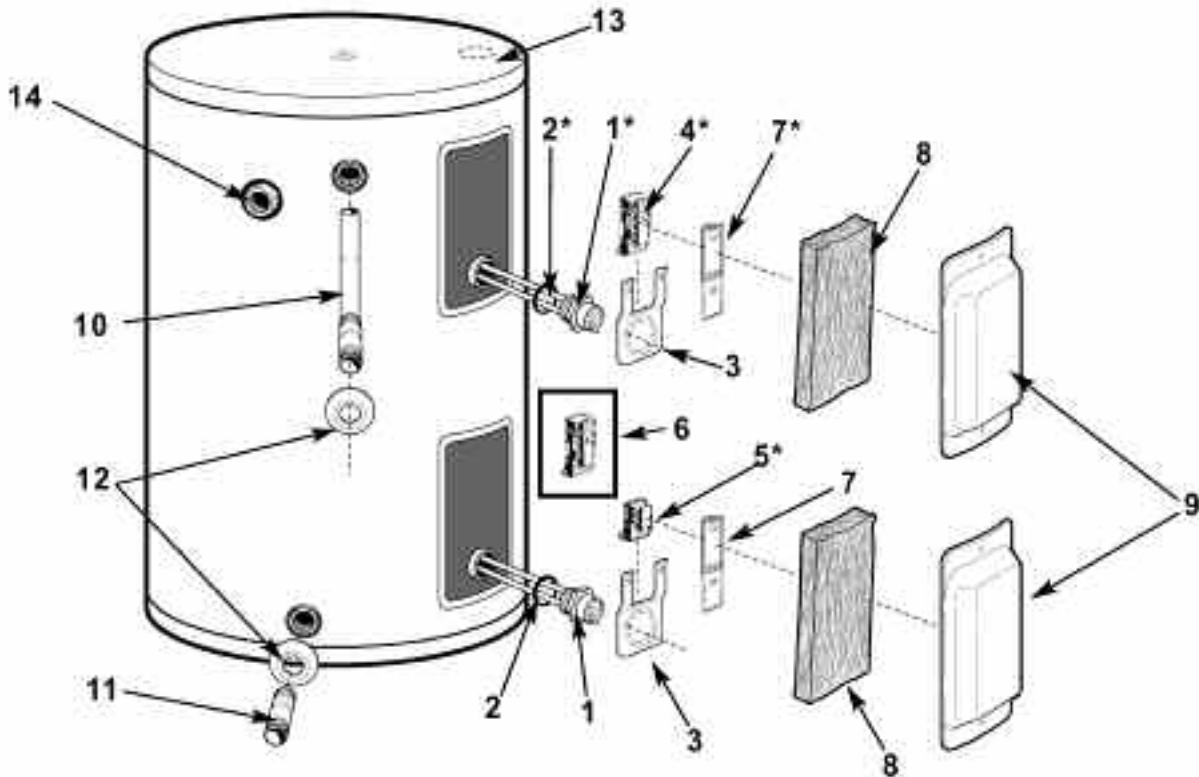


Ref. No.	Part Description	Qty. Req.	Part Number
1.	Heating Element	1	(120V) SP10874GH (240V) SP10552GH
2.	Heating Element Gasket	1	AP6708-9
3.	Thermostat Bracket	1	AM23557
4.	Thermostat	1	(120V) SP11700 (240V) SP11699
5.	Thermostat Protective Cover	1	AP8313-9
6.	Cavity Insulation	1	AP9184-7
7.	Jacket Access Panel	1	AM38409-1C
8.	Nipple, Hot Outlet	1	AP11623F
9.	Nipple, Cold Inlet	1	AP11623F
10.	Shroud	As Required	AP2480-3
11.	Anode Rod	1	SP11309C
12.	Snap Bushing	1	AP7733-2

To place your order call 1-800-621-5622; fax 1-800-535-9538

# Residential Replacement Parts List

## 30 GALLON MODELS 120 OR 240 VOLT OPERATION

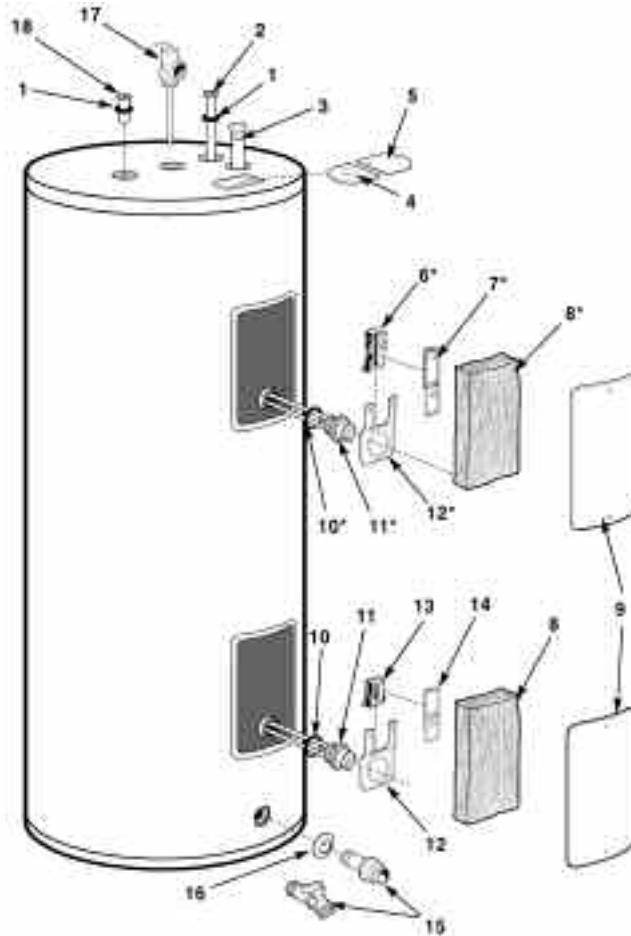


Ref. No.	Part Description	Qty. Req.	Part Number
1.	Heating Element	As Required	(120V) SP10874GH (240V) SP10552GH
2.	Heating Element Gasket	As Required	AP6708-9
3.	Thermostat Bracket	As Required	AM23557
4.	Thermostat, Upper (on double element models only)	1	SP11698
5.	Thermostat, Lower	1	(120V) SP11700 (240V) SP11695
6.	Thermostat (single element models only)	1	(120V) SP11700 (240V) SP11699
7.	Thermostat Protective Cover	As Required	AP8313-9 (Double element upper and Single element lower) AP8314-9 (Double element lower)
8.	Cavity Insulation	As Required	AP9184-7
9.	Jacket Access Panel	As Required	AM38409-1C
10.	J-Tube, Hot Outlet	1	AP8877E-12
11.	Nipple, Cold Inlet	1	AP11623F
12.	Shroud	As Required	AP2480-3
13.	Anode Rod	1	(5 Year) SP11309C (10 Year) SP11526C
14.	Snap Bushing	1	AP7733-2

To place your order call 1-800-621-5622; fax 1-800-535-9538

## Residential Replacement Parts List

# 20 – 120 GALLON MODELS: SINGLE AND DOUBLE ELEMENT

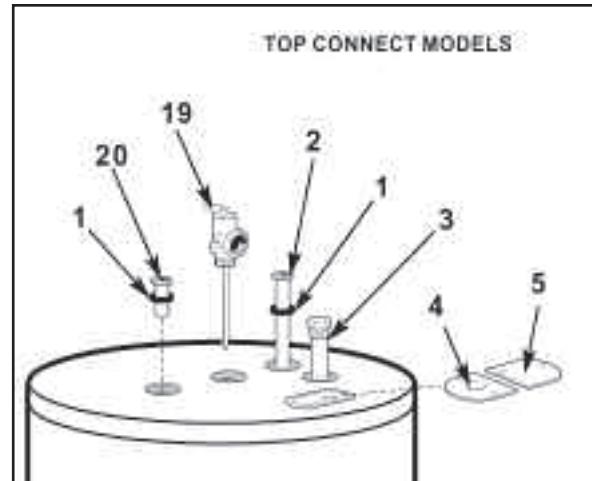
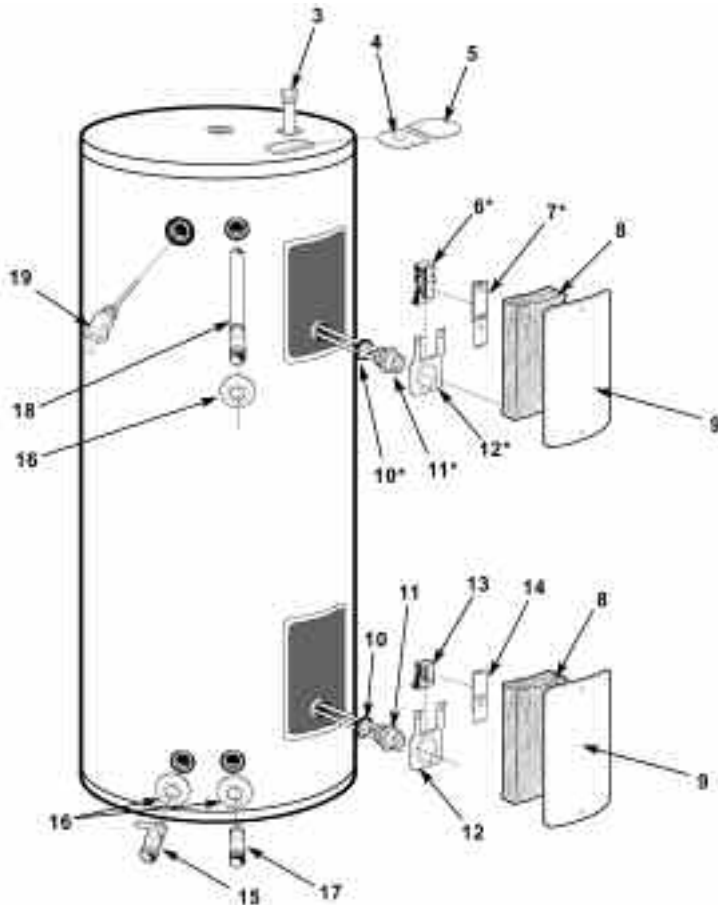


Ref. No.	Part Description	Qty. Req.	Part Number
1.	Dip Tube Gasket – 3/4"	1	AP6948-3
2.	Dip Tube – 3/4"	1	SP11248R
3.	Anode Rod	1	(5 Year, 44") SP11309C (10 Year, 44") SP11526C (10 Year, 58") SP11526Z
4.	Plate Cover	1	AM29892
5.	Junction Box Cover	1	AM29893
6.	Upper Thermostat (on double element models only)	1	SP11698
7.	Thermostat Protective Cover (on double element models only)	1	AP8313-9
8.	Cavity Insulation	2	AP9184-7
9.	Jacket Access Panel (Rheem Blue)	As Required	AM38409-1C
10.	Heating Element Gasket	As Required	AP6708-9
11.	Heating Element	As Required	(240V) SP10552MH (120V) SP10874GH
12.	Thermostat Bracket	As Required	AM23557
13.	Lower Thermostat	1	(DE) SP11695 (SE-240V) SP11699 (SE120V) SP11700
14.	Lower Thermostat Protective Cover	1	AP8314-9
15.	Drain Valve	1	(PVC) SP12039 AP12112G
16.	Drain Valve Shroud	1	AP2480-3
17.	Relief Valve	1	(Top) SP12574 (Side) SP8346
18.	Hot Outlet Heat Trap or Dip Cup Insert (HT Kit)	1	SP20003 or AP12992

**To place your order call 1-800-621-5622; fax 1-800-535-9538**

# Residential Replacement Parts List

## 20 – 52 GALLON MODELS: SINGLE AND DOUBLE ELEMENT



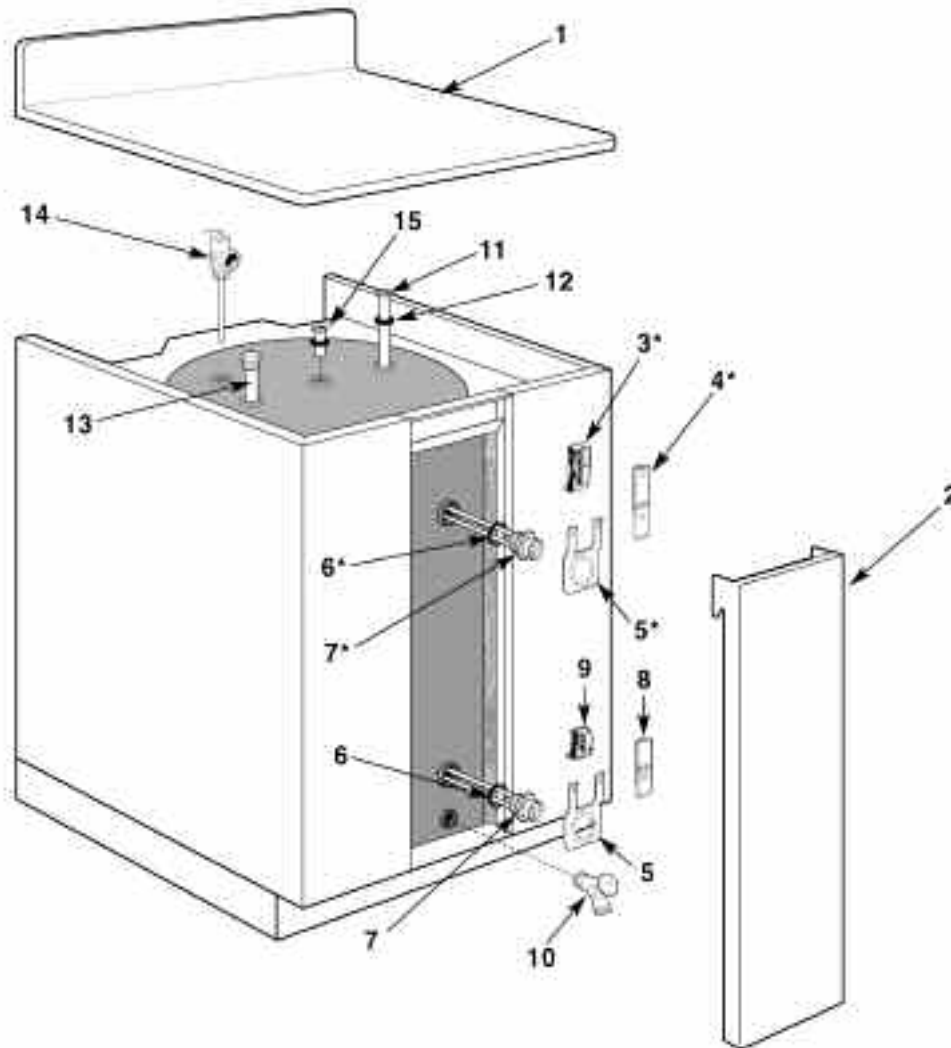
\* These parts are supplied only on double element models.

Ref. No.	Part Description	Qty. Req.	Part Number
1.	Dip Tube Gasket (on top connect models only)	1	AP6948-1
2.	Dip Tube (on top connect models only)	1	SP11248R
3.	Anode Rod	1	SP11309C
4.	Plate Cover (hole)	1	AM29892
5.	Junction Box Cover (no hole)	1	AM29893
6.	Upper Thermostat (on double element models only)	1	SP11698
7.	Upper Thermostat Protective Cover (on double element models only)	1	AP8313-9
8.	Cavity Insulation	2	AP9184-7
9.	Jacket Access Panel	As Required	AM38409-1C
10.	Heating Element Gasket	As Required	AP6708-9
11.	Heating Element	As Required	(240V) SP10552MH (120V) SP10874GH
12.	Thermostat Bracket	As Required	SP23557
13.	Lower Thermostat	1	(DE) SP11695 (SE-240V) SP11699 (SE120V) SP11700
14.	Lower Thermostat Protective Cover	1	AP8314-9
15.	Drain Valve	1	SP12039
16.	Drain Valve Shroud	As Required	AP2480
17.	Cold Inlet Nipple (on side connect models only)	1	AP8397N-8
18.	Hot Outlet Tube (on side connect models only)	1	(71V20S) AP8877K-12 (71V30D) AP8877K-12 (71V40D) AP8877J-12 (71V50D) AP8877J-12
19.	Relief Valve	1	(Top) SP12574 (Side) SP8346
20.	Hot Outlet Heat Trap or Dip Cup Insert	1	AP12992

**To place your order call 1-800-621-5622; fax 1-800-535-9538**

## Residential Replacement Parts List

# 40 GALLON TABLE TOP MODELS SINGLE AND DOUBLE ELEMENT



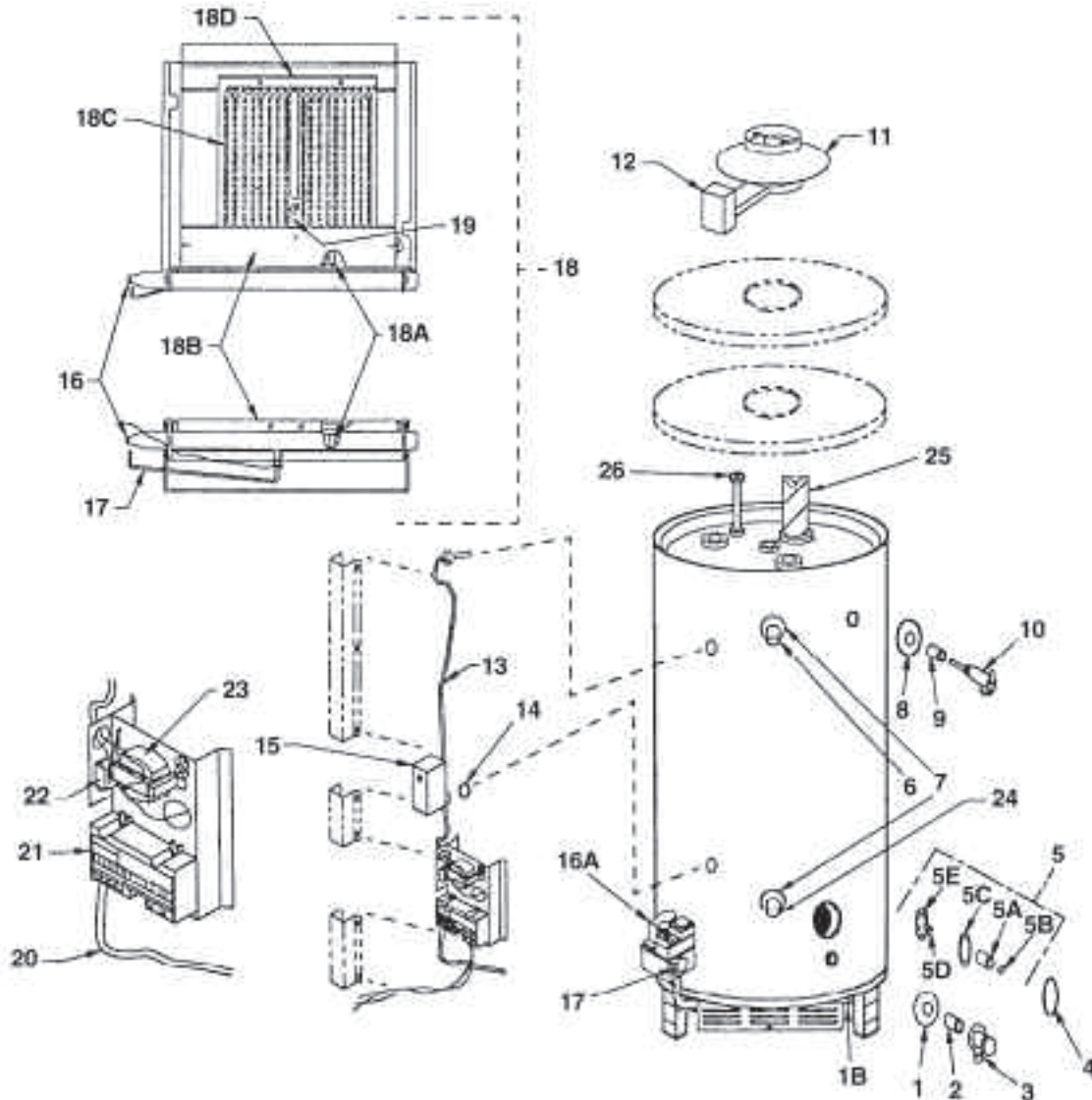
Ref. No.	Part Description	Qty. Req.	Part Number	
1.	Splash Top	1	AP68410-5	
2.	Front Center Panel	1	AM28677-A	
3.	Upper Thermostat (on double element models only)	1	SP11698	
4.	Upper Thermostat Protective Cover (on double element models only)	1	AP8313-9	
5.	Thermostat Bracket	As Required	AM23557	
6.	Heating Element Gasket	As Required	AP6708-9	
7.	Heating Element	As Required	SP10552MH	
8.	Lower Thermostat Protective Cover	1	AP8314-9	
9.	Lower Thermostat	1	(DE) SP11695 (SE) SP11699	
10.	Drain Valve	1	AP12112L	
11.	Dip Tube	1	SP11248P	
12.	Dip Tube Gasket	2	AP6948-1	
13.	Anode	1	AP11525V	
14.	Relief Valve	1	SP12574	
15.	Hot Outlet Heat Trap or Dip Cup Insert (Kit)	1	SP20003	

**To place your order call 1-800-621-5622; fax 1-800-535-9538**



# Commercial Replacement Parts List

## UNIVERSAL SPARK IGNITION: NATURAL OR LP GAS



Ref. No.	Part Description	Qty. Req.	Part Number
1.	Drain Valve Bushing	1	AP7733-2
2.	Drain Valve Nipple	1	
3.	Drain Valve	1	AP12231B-1
4.	Jacket Handhole Cover	1	AM3459-H
5.	Tank Handhole Assembly	1	SP22079
5A.	Yoke	1	AS24346-1
5B.	Nut	1	AP2247-1
5C.	Gasket	1	AP5886-1
5D.	Stud	1	AP5983-2
5E.	Seal Plate	1	AS22078-2
6.	Outlet Nipple Assembly	1	call for size
7.	Inlet/Outlet Bushing	2	AP12421
8.	Relief Valve Bushing	1	AP9078
9.	Relief Valve Nipple	1	
10.	Relief Valve	1	SP9013D
11.	Auto-Vent Damper Assembly	1	***
12.	Damper Motor	1	AP11617-1
13.	Damper Drive Wiring	1	AP11314C-3
14.	T'stat/T'well Bushing	1	AP9078-1

\*\*\*Call for application

Ref. No.	Part Description	Qty. Req.	Part Number
15.	Thermostat Hi-Limit	1	SP11798B
16.	Gas Manifold Assembly	1	
16A.	Gas Valve (NAT)	1	SP10963D
16A.	Gas Valve (LP)	1	SP10963E
17.	Pilot Tube (straight)	1	AP7033L-14
18.	Gas Manifold Assembly	1	
18A.	Burner Orifice	1	Sold as burner tray assembly Call for application
18B.	Burner Bracket (front)	1	
18C.	Burner	1	
18D.	Burner Bracket (rear)	1	
19.	Pilot (NAT)	1	SP10764B
19.	Pilot (LP)	1	SP10764C
20.	Ignition Cable	1	SP8828D
21.	Ignition Control	1	SP10763B
22.	On/Off Switch	1	AP8825
23.	Transformer	1	SP10550B
24.	Inlet Nipple	1	call for size
25.	Flue Baffle & Hanger	1	***
26.	Anode	As Required	AP11524C

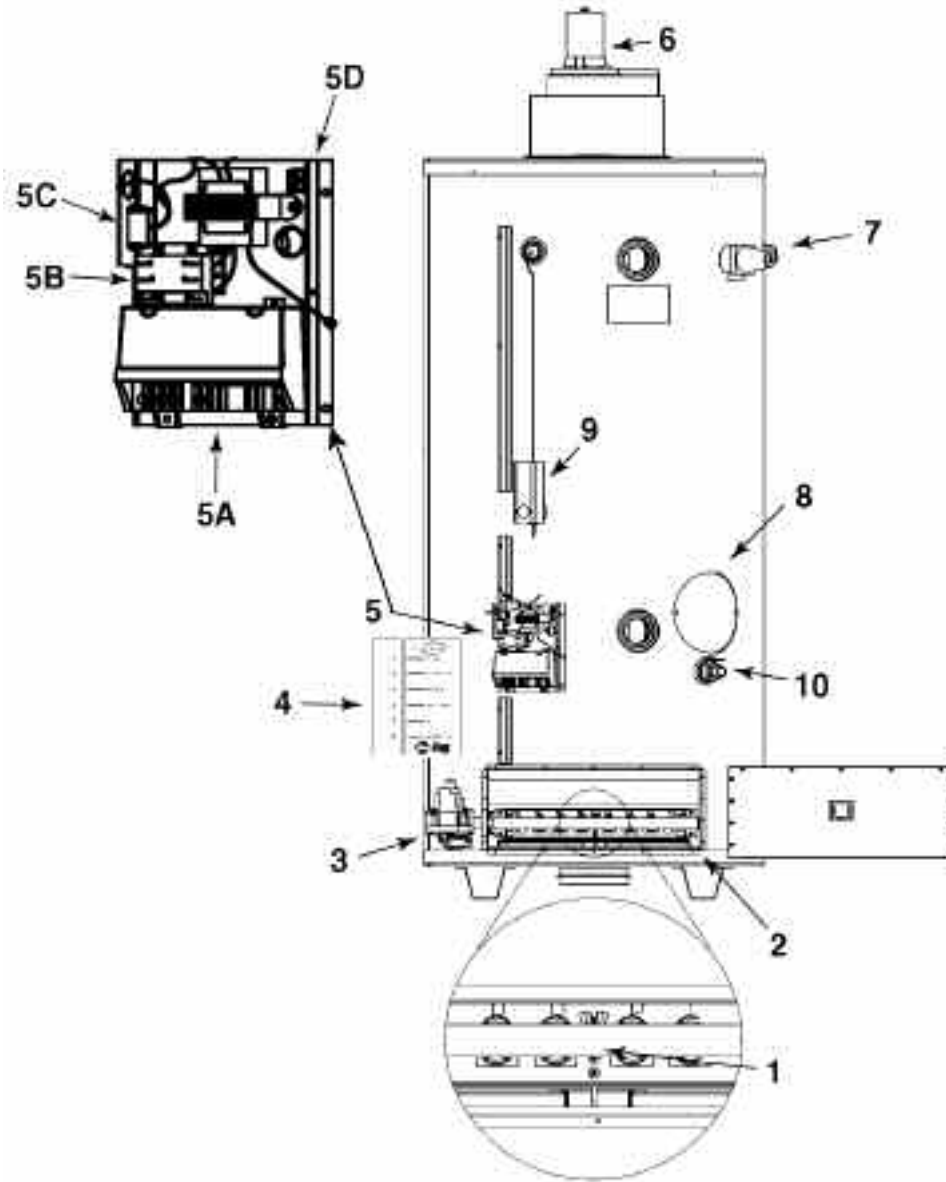
\*\*\*Call for application

To place your order call 1-800-621-5622; fax 1-800-535-9538

# Commercial Replacement Parts List

---

## VENTMASTER COMMERCIAL GAS MODEL

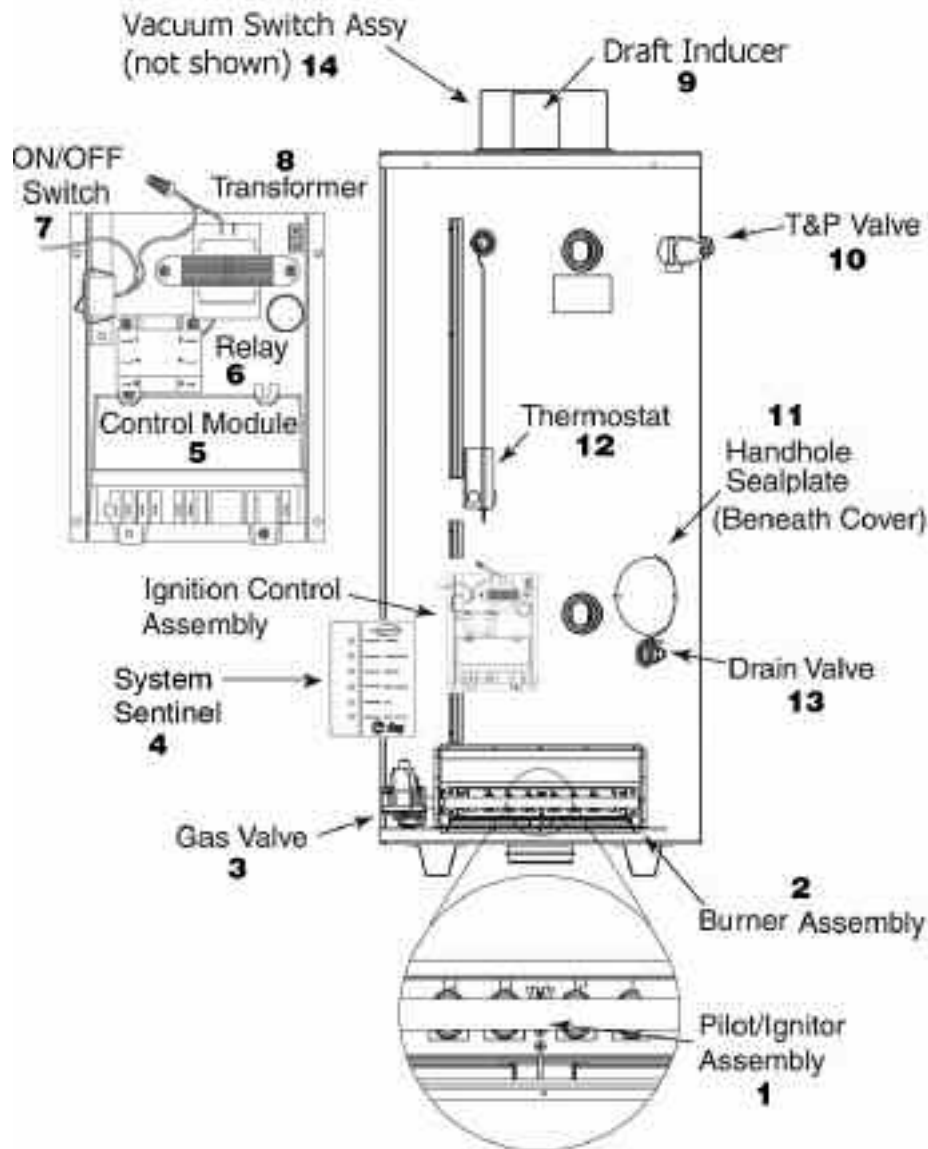


Ref. No.	Part Description	Qty. Req.	Part Number	
1.	Pilot Ignitor Assembly	1	SP13185	
2.	Burner Assembly	1	Call for Quote	
3.	Gas Valve	1	SP13714	
4.	System Sentinel Panel	1	AM38875	
5.	Ignition Control Assembly	1	AM40782	
5A.	Control Module	1	SP10763B	
5B.	Relay	1	SP12732	
5C.	On/Off Switch	1	AP8825	
5D.	Transformer	1	SP10550B	
6.	Blower Assembly	1	AP13192	
7.	Temperature & Pressure Relief Valve	1	SP9013D	
8.	Hand Hole Cover Gasket	1	AP5886-1	
9.	Thermostat	1	SP11798	
10.	Drain Valve	1	AP12231B-1	

*To place your order call 1-800-621-5622; fax 1-800-535-9538*

# Commercial Replacement Parts List

## INDUCED DRAFT



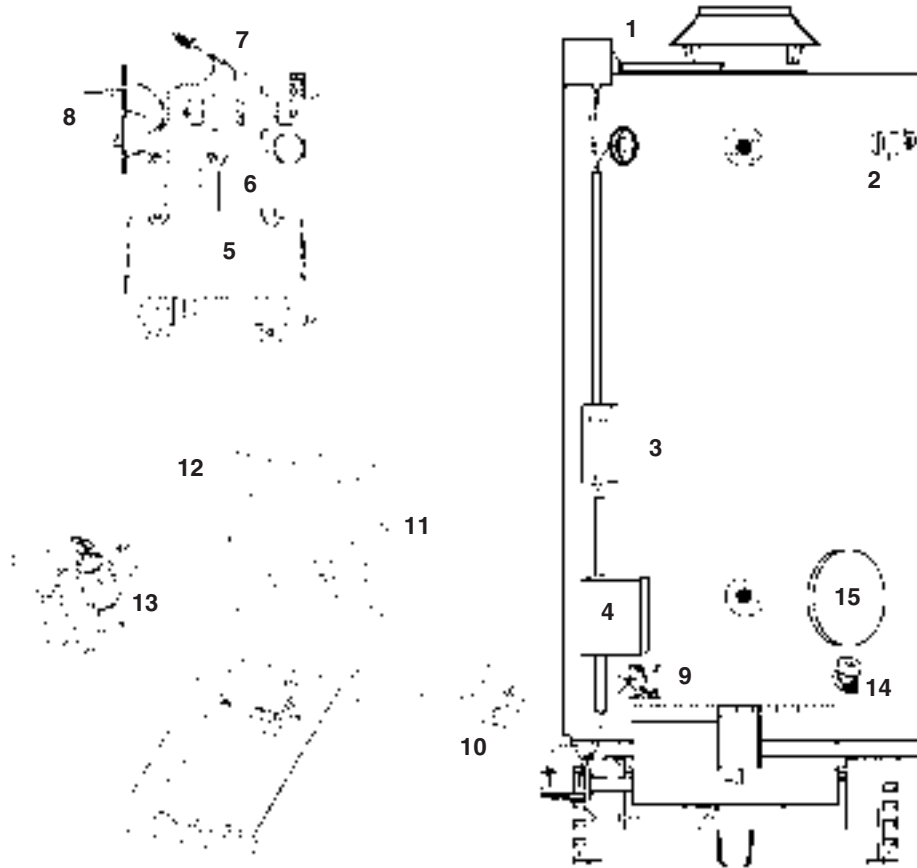
Ref. No.	Part Description	Qty. Req.	Part Number	
1	Pilot Ignitor Assembly	1	AP13185	
2	Burner Assy; 250, 270, 310, 360 kBTU	1	Call for Quote	
3	Gas Valve	1	SP10963D	
4	System Sentinel Panel	1	AM38875	
5	Control Module	1	SP10763B	
6	Relay	1	SP12732	
7	ON/OFF Switch	1	AP8825	
8	Transformer	1	SP10550B	
9	Draft Inducer 250 kBTU - Natural or LP; and 270 kBTU - Natural or LP	1	SP13800 (2")	
	Draft Inducer 310 kBTU; Natural		SP13801 (2.25")	
	Draft Inducer 310 kBTU - LP; and 360 kBTU; Natural or LP		SP13802 (2.71")	
10	Temperature & Pressure Relief Valve	1	AP12323-1	
11	Hand Hole Cover Gasket	1	AP5886-1	
12	Thermostat	1	SP11798B	
13	Drain Valve	1	AP12231B-1	
14	Vacuum Switch Assy	1	SP13989	

To place your order call 1-800-621-5622; fax 1-800-535-9538

# Commercial Replacement Parts List

---

## LOW NOX COMMERCIAL GAS MODEL



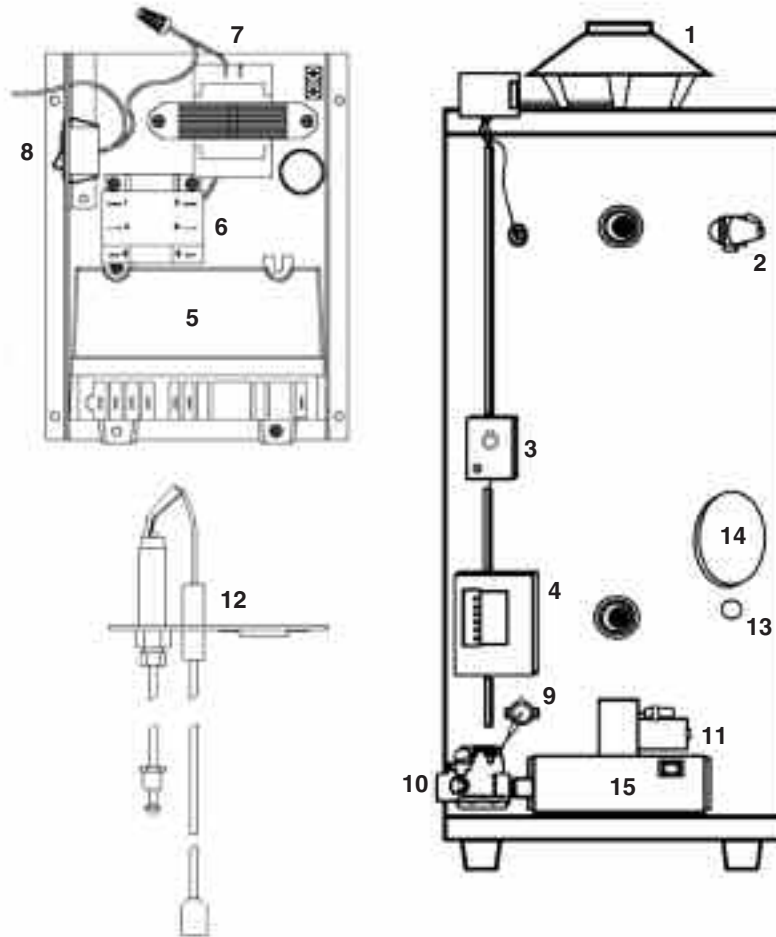
Ref. No.	Part Description	Qty. Req.	Part Number	
1.	Vent Damper Assembly	1	Call for quote	
	Damper Drive Motor	-	SP11617	
2.	Temperature & Pressure Relief Valve	1	BTU Dependent	
3.	Thermostat Hi-Limit	1	SP11798B	
4.	System Sentinel Panel	1	AM38875	
5.	Ignition Control	1	SP10763B	
6.	Relay	1	SP12732	
7.	Transformer	1	SP10550B	
8.	On/Off Switch	1	AP8825	
9.	Pressure Switch	1	BTU Dependent	
10.	Gas Valve (NAT)	1	SP12541B	
	Gas Valve (NAT 400,000 BTU Only)	-	SP12543	
11.	Blower Motor	1	BTU Dependent	
12.	Blower Motor Protection Cage	1	AP12712	
13.	Pilot Ignitor (NAT 200K and below)	1	AM39758	
	Pilot Ignitor (NAT above 200K)	-	AM40023	
14.	Drain Valve	1	AP12231B-1	
15.	Hand Hole Gasket	1	AP5886-1	

*To place your order call 1-800-621-5622; fax 1-800-535-9538*

# Commercial Replacement Parts List

---

## XTREME COMMERCIAL GAS MODEL

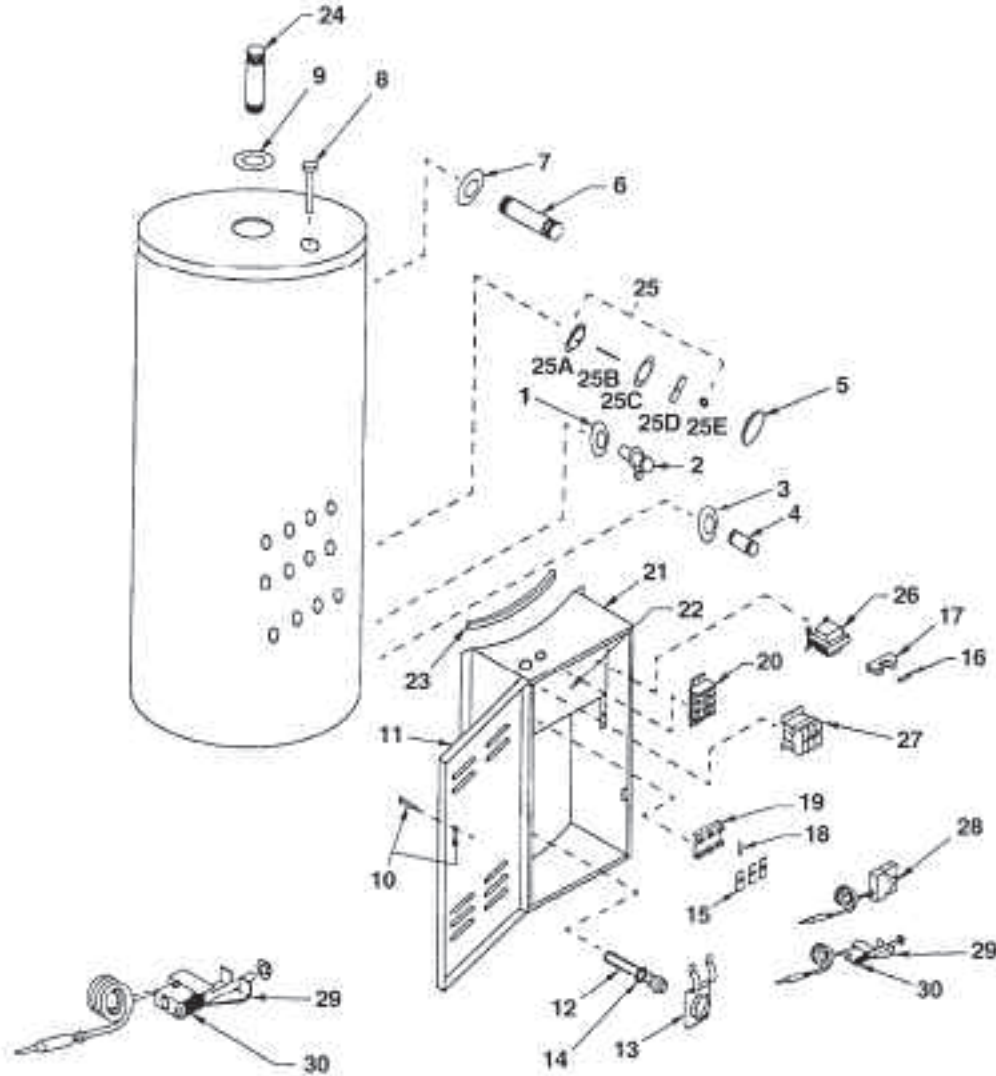


Ref. No.	Part Description	Qty. Req.	Part Number	
1.	Vent Damper Assembly	1	AM39825	
2.	Temperature & Pressure Relief Valve	1	BTU Dependent	
3.	Thermostat Hi-Limit	1	AP12015-1	
4.	System Sentinel Panel	1	AM38875	
5.	Ignition Control	1	SP10763B	
6.	Relay	1	SP12732	
7.	Transformer	1	SP10550B	
8.	On/Off Switch	1	AP8825	
9.	Pressure Switch	1	SP12576 / SP13698	
10.	Gas Valve (NAT)	1	SP12866N	
	Gas Valve (LP)	1	SP12866P	
11.	Blower Motor	1	SP12525	
-	Blower Motor Protection Cage	1	AP13017	
12.	Pilot Ignitor (NAT)	1	SP12237	
	Pilot Ignitor (LP)	1	SP12305	
13.	Drain Valve	1	AP12231B-1	
14.	Hand Hole Gasket	1	AP5886-1	
15.	Burner Assembly	1	Call for quote	

*To place your order call 1-800-621-5622; fax 1-800-535-9538*

## Commercial Replacement Parts List

# 208, 240, 277 OR 480 VOLT OPERATION – 50, 85, 120 GALLON MODELS: IMMERSION THERMOSTAT



Ref. No.	Part Description	Qty. Req.	Part Number
1.	Drain Valve Shroud	1	AP7733-2
2.	Drain Valve	1	AP12231C-1
3.	Inlet Nipple Shroud	1	AP12421
4.	Inlet Nipple	1	AP11179B
5.	Jacket Handhole Cover	1	AM3459-H
6.	Outlet Nipple	1	AP11179C
7.	Outlet Nipple Shroud	1	AP12421
8.	Anode	1	SP11524C
9.	T&P Valve Shroud	1	AP7733-2
10.	Captive Screw with Retainer	1	AP8162B-1 AP8162-1
11.	Door	1	
12.	Element	As Required	
13.	Thermostat Retainer	1	
14.	Element Gasket	As Required	AP6708-9
15.	Copper Connectors	3	AM25285
16.	Transformer Fuse	1	SP8264R
17.	Transformer Fuse Block	1	SP8889
18.	Fuse (goes with SP8311E)	3	SP8264M
	Fuse (goes with SP11112)	3	SP8264K

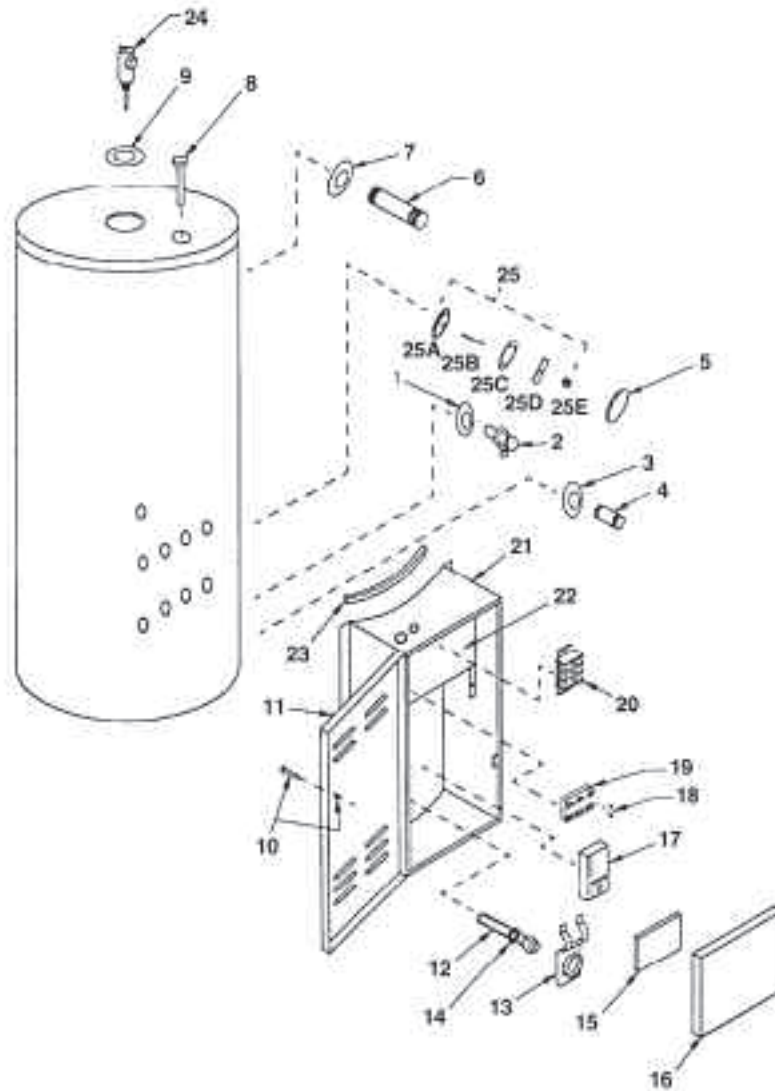
Ref. No.	Part Description	Qty. Req.	Part Number
19.	Fuse Block	1	SP8311E
	Fuse Block (36, 45 & 54 KW)	1	SP11112
20.	Terminal Block	1	SP10260
21.	Control Encl Frame	1	
22.	Controls Mount Panel	1	
23.	Seal Strip	1	
24.	Outlet Nipple	1	AP11179C
25.	Handhole Assembly	1	SP22079
25A.	Seal Plate	1	AS22078-2
25B.	Stud	1	AP5983-2
25C.	Handhole Gasket	1	AP5886-1
25D.	Yoke	1	AS24346-1
25E.	Nut	1	AP2247-1
26.	Transformer	1	SP10006
27.	Contactor	1	SP12841
28.	Limit	1	
29.	Thermostat Bracket	1	
30.	Thermostat	1	SP11805
31.	Relief Valve N/S	1	SP9013E

**To place your order call 1-800-621-5622; fax 1-800-535-9538**



## Commercial Replacement Parts List

# 208, 240, 277 OR 480 VOLT OPERATION – 50, 85, AND 120 GALLON MODELS: SURFACE MOUNTED THERMOSTAT



Ref. No.	Part Description	Qty. Req.	Part Number
1.	Drain Valve Shroud	1	AP7733-2
2.	Drain Valve	1	AP12231C-1
3.	Inlet Nipple Shroud	1	AP12421
4.	Inlet Nipple	1	AP11179B
5.	Jacket Handhole Cover	1	AM3459-H
6.	Outlet Nipple	1	AP11179C
7.	Outlet Nipple Shroud	1	AP12421
8.	Anode Assembly	1	SP11524C
9.	T&P Valve Shroud	1	AP7733-2
10.	Captive Screw with Retainer	1	AP8162B-1 AP8162-1
11.	Door	1	
12.	Element	As Required	
13.	Thermostat Retainer	1	AM23557
14.	Element Gasket	As Required	AP6708-9
15.	Insulation - Controls	1	
16.	Insulation - Controls	1	

Ref. No.	Part Description	Qty. Req.	Part Number
17.	Thermostat	1	AP11231-1
18.	Fuse (goes with SP8311E)	3	SP8264M
	Fuse (goes with SP11112)	3	SP8264K
19.	Fuse Block	1	SP8311E
	Fuse Block (36, 45 & 54 KW)	1	SP11112
20.	Terminal Block	1	SP10260
21.	Control Encl Frame	1	
22.	Controls Mount Panel	1	
23.	Seal Strip	1	
24.	Relief Valve	1	SP9013E
25.	Handhole Assembly	1	SP22079
25A.	Seal Plate	1	AS22078-2
25B.	Stud	1	AP5983-2
25C.	Handhole Gasket	1	AP5886-1
25D.	Yoke	1	AS24346-1
25E.	Nut	1	AP2247-1

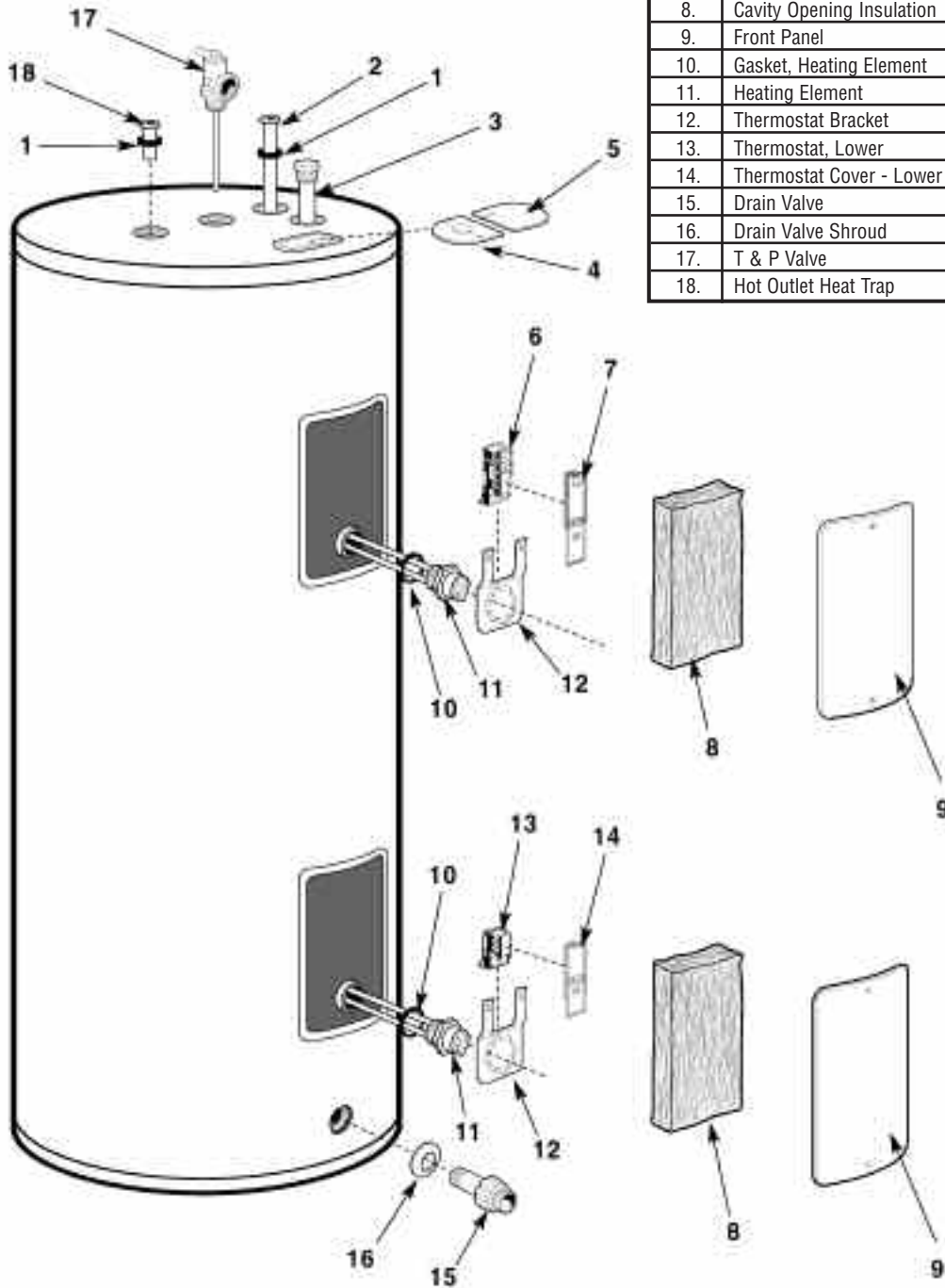
**To place your order call 1-800-621-5622; fax 1-800-535-9538**

# Commercial Replacement Parts List

---

## ELECTRIC LIGHT DUTY (ELD) SERIES

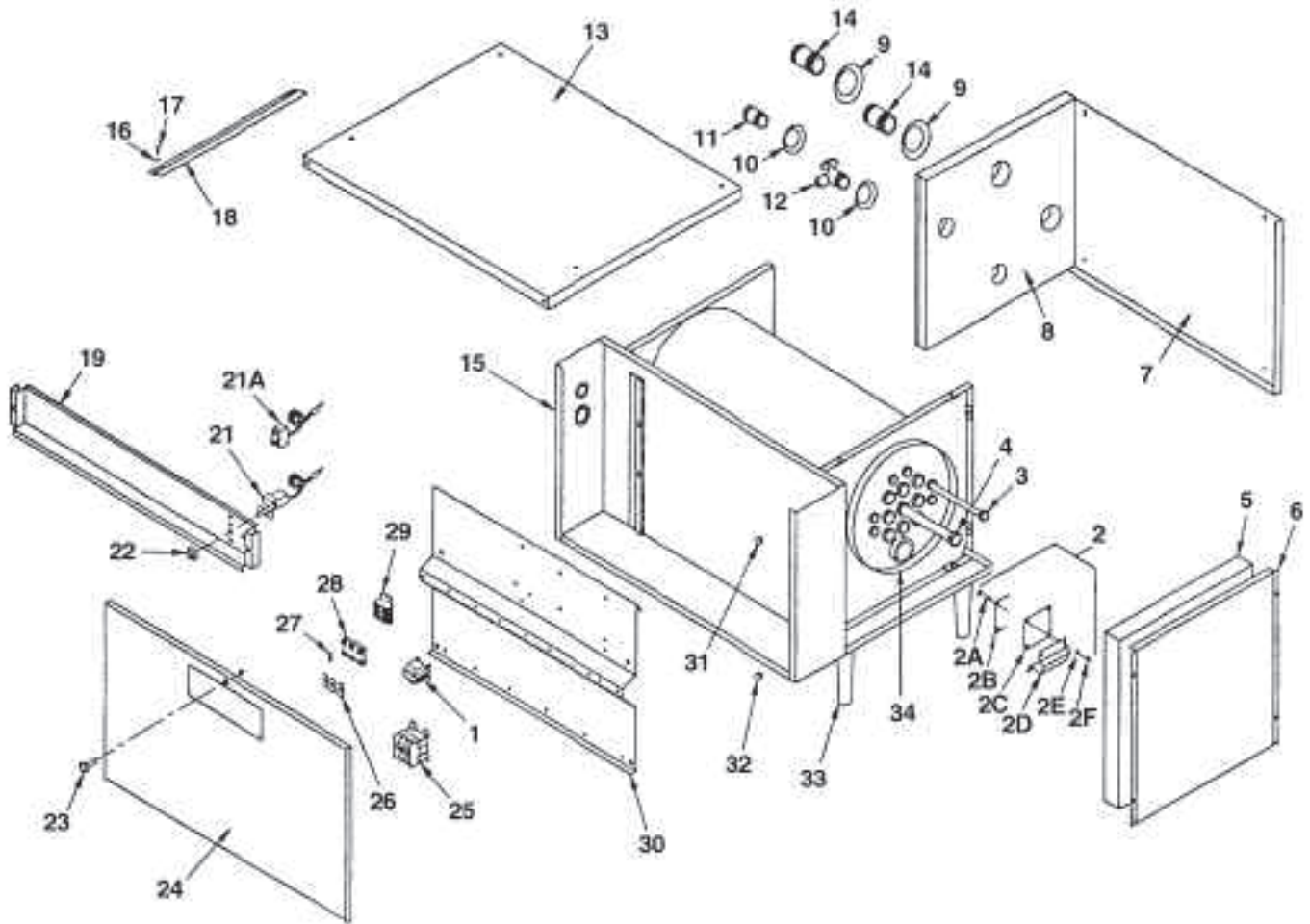
Ref. No.	Part Description	Qty. Req.	Part Number
1.	Gasket	1	AP6948-3
2.	Diptube	1	SP11251R
3.	Anode	1	SP11526C
4.	Field Connect Plate	1	AM29892
5.	Junction Box Cover	1	AM29893
6.	Thermostat, Upper	1	SP8293
7.	Thermostat Cover - Upper	1	AP8313-9
8.	Cavity Opening Insulation	1	AP9184-7
9.	Front Panel	2	AM38409-1C
10.	Gasket, Heating Element	1	AP6708-9
11.	Heating Element	2	SP10552ML
12.	Thermostat Bracket	1	AM23557
13.	Thermostat, Lower	1	SP8295
14.	Thermostat Cover - Lower	1	AP8314-9
15.	Drain Valve	1	SP12112S
16.	Drain Valve Shroud	1	AP9167
17.	T & P Valve	1	
18.	Hot Outlet Heat Trap	1	SP20003 (kit)



*To place your order call 1-800-621-5622; fax 1-800-535-9538*

## Commercial Replacement Parts List

# 208, 240, 277 OR 480 VOLT OPERATION: 10 GALLON BOOSTER MODELS



Ref. No.	Part Description	Qty. Req.	Part Number
1.	Transformer	1	SP10006
2.	Cleanout Assembly	1	
2A.	Bolt	1	
2B.	Gasket	1	
2C.	Cover	1	
2D.	Tank Holddown Bracket	1	
2E.	Lock Washer	1	
2F.	Nut	1	
3.	Anode Assembly	1	SP11524C
4.	Element	1	
5.	Element Insulation	1	
6.	Side Panel	1	
7.	Side & Back Panel	1	
8.	Inlet-Outlet Insulation	1	
9.	Shroud	2	AP9167C
10.	Shroud	2	AP6334-1
11.	Nipple 3/4 inch NPT	1	AP508C-8
12.	Drain Valve	1	SP6070G
13.	Top Pan		
14.	Nipple 1-1/4 inch NPT	2	AP12012B
15.	Assembly - bottom tank supports & enclosure	1	
16.	Washer	1	

Ref. No.	Part Description	Qty. Req.	Part Number
17.	Cap Screw	1	
18.	Support Bracket	1	
19.	Upper Control Panel	1	
20.	Thermostat	1	SP8260
21.	Limit	1	SP5411
22.	Thermostat Dial	1	AP8339
23.	Captive Screw	1	AP8162B-1 AP8162-1
24.	Front Door	1	
25.	Contactors	1	SP12841
26.	Copper Connector	1	AM25285
27.	Element Fuse	1	SP8264M SP8264K
28.	Element Fuse Block	1	SP8311E SP11112
29.	Terminal Block	1	SP10127
30.	Control Mounting Panel	1	
31.	Snap Bushing	1	AP5316B-4
32.	Snap Bushing	1	AP5316C-4
33.	Leg	4	AP7803
34.	Rubber Channel	1	AP7475D-5
35.	Relief Valve (not shown)	1	AP9013E

**To place your order call 1-800-621-5622; fax 1-800-535-9538**

# Preferred Parts™

## REFERENCE GUIDE

### Residential Gas

Rheem Model Number	Ruud Model Number	Anode	Dip Tube	Drain Valve	Thermo-stat Nat	Thermo-stat LP	Pilot Nat	Pilot LP	Thermo Couple
21DV40	PDV40	SP11309C	SP11248R	SP12039	SP8555B	NONE	SP8980B	NONE	SP6379C
21DV50	PDV50	SP11309C	SP11248R	SP12039	SP8555B	NONE	SP8980B	NONE	SP6379C
21DX40	MDV40	SP11309C	SP11248R	SP12039	SP8555B	NONE	SP8980B	NONE	SP6379C
21DX50	MDV50	SP11309C	SP11248R	SP12039	SP8555B	NONE	SP8980B	NONE	SP6379C
21DX50N	MDV50N	SP11309C	SP11248R	SP12039	SP8555B	NONE	SP8980B	NONE	SP6379C
21I30-6	PI30-6	SP11309C	SP11248R	SP12039	SP8555B	NONE	SP8980B	NONE	SP6379K
21I30-6P	PI30-6P	SP11309C	SP11248R	SP12039	NONE	SP12258B	SP8980B	SP8980C	SP6379K
21I30-7/P	PI30-7P	SP11309C	SP11248R	SP12039	SP8555B	SP12258B	SP8980B	SP8980C	SP6379K
21I30DV	PI30DV	SP11309C	SP11248R	SP12039	SP9051B	SP9051B	SP8980B	SP8384F	SP6379C
21I30S-2/P	PI30S-2/P	SP11309C	SP11248R	SP12039	SP8555B	SP12258B	SP8980B	SP8980C	SP6379K
21I40-7/P	PI40-7P	SP11309C	SP11248R	SP12039	NONE	SP12258B	SP8980B	SP8980C	SP6379K
21I40DV	PI40DV	SP11309C	SP11248R	SP12039	SP9051B	SP9051B	SP8980B	SP8980C	SP6379C
21I40S-2/P	PI40S-2/P	SP11309C	SP11248R	SP12039	SP8555B	SP12258B	SP8980B	SP8980C	SP6379K
21I50-2/P	PI50-2/P	SP11309C	SP11248R	SP12039	SP8555B	SP12258B	SP8980B	SP8980C	SP6379K
21IR30DV	N/A	AP6240C-11	N/A	SP12159C	SP9051D	N/A	AP11944D	N/A	SP6379C
21IR40DV	N/A	AP6240C-11	N/A	SP12159C	SP9051D	N/A	AP11944D	N/A	SP6379C
21IR40T	N/A	AP6240C-11	N/A	SP12159C	SP9051D	N/A	AP11944K	N/A	SP6379C
21IR50DV	N/A	AP6240C-11	N/A	SP12159C	SP9051D	N/A	AP11944E	N/A	SP6379C
21V100	P100	SP11526C	SP11269C	SP12039	SP10022F	SP12258B	SP8384B	SP8384D	SP6379K
21V20	PI20	SP11309C	SP11248R	SP12039	SP8555B	SP12258B	SP8384B	SP8384D	SP6379K
21V30-5N	P30-5N	SP11309C	SP11248R	SP12039	SP8555B	SP12258B	SP8980B	SP8980C	SP6379K
21V30-6	P30-6	SP11309C	SP11248R	SP12039	SP8555B	NONE	SP8980B	NONE	SP6379K
21V30-6P	P30-6P	SP11309C	SP11248R	SP12039	NONE	SP12258B	NONE	SP8980C	SP6379K
21V30-7/P	P30-7/P	SP11309C	SP11248R	SP12039	NONE	SP12258B	NONE	SP8980C	SP6379K
21V30-7N	P30-7N	SP11309C	SP11248R	SP12039	SP8555B	NONE	SP8980B	NONE	SP6379K
21V30DV	PX30DV	SP11309C	SP11248R	SP12039	SP9051B	SP9051B	SP8384E	SP8384F	SP6379C
21V30S-2/P	P30S-2/P	SP11309C	SP11248R	SP12039	NONE	SP12258B	NONE	SP8980C	SP6379K
21V30S-2N	P30S-2N	SP11309C	SP11248R	SP12039	SP8555B	NONE	SP8980B	NONE	SP6379K
21V30S-3/P	P30S-3/P	SP11309C	SP11248R	SP12039	SP8555B	SP12258B	SP8980B	SP8980C	SP6379K
21V30T	PV30-T	SP11309C	SP11248R	SP12039	SP9051B	SP9051B	SP8980B	SP8980C	SP6379K
21V40-36P	P40-36P	SP11309C	SP11248R	SP12112E	NONE	SP12258B	NONE	SP8980C	SP6379E
21V40-36P	P40-36P	SP11309C	SP11248R	SP12039	NONE	SP12258B	NONE	SP8980C	SP6379K
21V40-38	P40-38	SP11309C	SP11248R	SP12112E	SP8555B	NONE	SP8980B	NONE	SP6379E
21V40-38	P40-38	SP11309C	SP11248R	SP12039	SP8555B	NONE	SP8980B	NONE	SP6379K
21V40-5N	P40-5N	SP11309C	SP11248R	SP12039	SP8555B	SP12258B	SP8980B	SP8980C	SP6379K
21V40-7/P	P40-7/P	SP11309C	SP11248R	SP12039	NONE	SP12258B	NONE	SP8980C	SP6379K
21V40-7N	P40-7N	SP11309C	SP11248R	SP12039	SP8555B	NONE	SP8980B	NONE	SP6379K
21V40DV	P40-DV	SP11309C	SP11248R	SP12039	SP9051B	SP9051B	SP8384E	SP8384F	SP6379C
21V40S-2/P	P40S-2/P	SP11309C	SP11248R	SP12039	NONE	SP12258B	NONE	SP8980C	SP6379K
21V40S-2N	P40S-2N	SP11309C	SP11248R	SP12039	SP8555B	NONE	SP8980B	NONE	SP6379K
21V40S-3/P	P40S-3P	SP11309C	SP11248R	SP12039	SP8555B	SP12258B	SP8980B	SP8980C	SP6379K
21V40S-8A	P40S-8-A	SP11309C	SP11248R	SP12039	SP8555J	NONE	SP8980B	NONE	SP6379K
21V40T	PV40T	SP11309C	SP11248R	SP12039	SP9051B	SP9051B	SP8980B	SP8980C	SP6379K
21V50-2/P	P50-2/P	SP11309C	SP11248R	SP12039	SP8555B	SP12258B	SP8980B	SP8980C	SP6379K
21V50-4/P	P50-4/P	SP11309C	SP11248R	SP12039	SP8555B	SP12258B	SP8980B	SP8980C	SP6379K
21V50-6	P50-6	SP11309C	SP11248R	SP12039	SP10022N	SP11879F	SP8384B	SP8384	SP6379K
21V50-6	P50-6	SP11526C	SP11269C	SP12039	SP10022P	SP12258P	SP8384B	SP8384D	SP6379K
21V50-6-A	P50-6-A	SP11526C	SP11269C	SP12039	SP10022N	SP12258B	SP8384B	SP8384D	SP6379K
21VR30-5/P	PR30-51P	SP11309C	SP11269C	SP6070E	NONE	SP12258N	NONE	SP8980C	SP6379K
21VR30-5N	PR30-5N	SP11309C	SP11248R	SP12039	SP8555N	NONE	SP8980B	NONE	SP6379K
21VR30-6	PR30-6	SP11309C	SP11248R	SP12039	SP8555N	NONE	SP8980B	NONE	SP6379K
21VR30-6-A	PR30-6-A	SP11309C	SP11248R	SP12039	SP8555N	NONE	SP8980B	NONE	SP6379K
21VR30-6P	PR30-6P	SP11309C	SP11248R	SP12039	NONE	SP12258N	NONE	SP8980C	SP6379K
21VR30-7N-A	PR30-7N-A	SP11309C	SP11248R	SP12039	SP8555N	NONE	SP8980B	NONE	SP6379K
21VR30-7P-A	PR30-7P-A	SP11309C	SP11248R	SP12039	NONE	SP12258N	NONE	SP8980C	SP6379K
21VR30DV	N/A	SP11309C	N/A	SP12159C	SP9051D	N/A	AP11944D	N/A	SP6379C
21VR30T	N/A	SP11309C	N/A	SP12159C	SP9051D	N/A	AP11944K	N/A	SP6379C
21VR40-5/P	PR40-5/P	SP11309C	SP11248R	SP12039	NONE	SP12258N	NONE	SP8980C	SP6379K
21VR40-5N	PR40-5N	SP11309C	SP11248R	SP12039	SP8555N	NONE	SP8980B	NONE	SP6379K
21VR40-7/P	PR40-7/P	SP11309C	SP11248R	SP12039	NONE	SP12258N	NONE	SP8980C	SP6379K
21VR40-7N-A	PR40-7N-A	SP11309C	SP11248R	SP12039	SP8555N	NONE	SP8980B	NONE	SP6379K
21VR40-7P	PR40-7P	SP11309C	SP11248R	SP12039	NONE	SP12258N	NONE	SP8980C	SP6379K
21VR40-7P-A	PR40-7P-A	SP11309C	SP11248R	SP12039	NONE	SP12258N	NONE	SP8980C	SP6379K
21VR40DV	N/A	SP11309C	N/A	SP12159C	SP9051D	N/A	AP11944D	N/A	SP6379C
21VR40T	N/A	SP11309C	N/A	SP12159C	SP9051D	N/A	AP11944K	N/A	SP6379C
21VR50-2/P-A	PR50-21P-A	SP11309C	SP11248R	SP12039	NONE	SP12258N	NONE	SP8980C	SP6379K
21VR50-2N-A	PR50-2N-A	SP11309C	SP11248R	SP12039	SP8555N	NONE	SP8980B	NONE	SP6379K
21VR50-2P	PR50-2P	SP11309C	SP11248R	SP12039	NONE	SP12258N	NONE	SP8980C	SP6379K



**Residential Gas – Continued**

Rheem Model Number	Ruud Model Number	Anode	Dip Tube	Drain Valve	Thermo-stat Nat	Thermo-stat LP	Pilot Nat	Pilot LP	Thermo Couple
21VR50DV	N/A	SP11309C	N/A	SP12159C	SP9051D	N/A	AP11944E	N/A	SP6379C
21VR75/P	PR75/P	SP11309C	SP11269C	SP12039	NONE	SP12258N	NONE	SP8384D	SP6379K
21VR75-1	PR75-1	SP11309C	SP11269C	SP12039	SP10022N	NONE	SP8384B	NONE	SP6379K
21X30-6	M30-6	SP11526C	SP11248R	SP12039	SP8555B	NONE	SP8980B	NONE	SP6379K
21X30-6P	M30-6P	SP11526C	SP11248R	SP12039	NONE	SP12258B	NONE	SP8980C	SP6379K
21X30-7/P	M30-7/P	SP11526C	SP11248R	SP12039	NONE	SP12258B	NONE	SP8980C	SP6379K
21X30-7N	M30-7N	SP11526C	SP11248R	SP12039	SP8555B	NONE	SP8980B	NONE	SP6379K
21X30S-2/P	M30-2/P	SP11526C	SP11248R	SP12039	NONE	SP12258B	NONE	SP8980C	SP6379K
21X30S-2N	M30S-2N	SP11526C	SP11248R	SP12039	SP8555B	NONE	SP8980B	NONE	SP6379K
21X40-7/P	M40-7/P	SP11526C	SP11248R	SP12039	NONE	SP12258B	NONE	SP8980C	SP6379K
21X40-7N	M40-7N	SP11526C	SP11248R	SP12039	SP8555B	NONE	SP8980B	NONE	SP6379K
21X40S-2/P	M40S-2/P	SP11526C	SP11248R	SP12039	NONE	SP12258B	NONE	SP8980C	SP6379K
21X40S-2N	M40S-2N	SP11526C	SP11248R	SP12039	SP8555B	NONE	SP8980B	NONE	SP6379K
21X40S-2P	M40S-2P	SP11526C	SP11248R	SP12039	NONE	SP12258B	NONE	SP8980C	SP6379K
21X50-2/P	M50-2/P	SP11526C	SP11248R	SP12039	SP8555B	SP12258B	SP8980B	SP8980C	SP6379K
21X50-4	M50-4	SP11526C	SP11248R	SP12039	SP8555B	SP12258B	SP8980B	SP8980C	SP6379K
21X50-6	M50-6	SP11309C	SP11269C	SP12039	SP10022P	SP12258P	SP8384B	SP8384D	SP6379K
21X50-6A	M50-6A	SP11526C	SP11269B	SP6070S	SP10022P	SP12258P	SP8384B	SP8384D	SP6379K
21X75	M75	SP11309C	SP11269C	SP12039	SP8555B	SP12258F	SP8384B	SP8384D	SP6379K
21X100	M100	SP11309C	SP11269C	SP6070E	SP10022F	SP12258F	SP8384B	SP8384D	SP6379K
21XR75	MR75	SP11526C	SP11269B	SP6070S	SP8555N	SP12258N	SP8384B	SP8384C	SP6379K
22DV40S-36	PH2DV40S-36	AP11309Y	AP11251Q-2	SP12159C	SP8555U	N/A	AP11944K	N/A	SP6379C
22DV50-40	PH2DV50-40	SP11309C	AP11251H-2	SP12159C	SP8555U	N/A	AP11944K	N/A	SP6379C
22140SDVX	N/A	AP6240Y-11	AP11251C-1	SP12159C	SP9051D	N/A	AP11944K	N/A	SP6379C
22150DVX	N/A	AP6240C-11	AP11251BC	SP12159C	SP9051D	N/A	AP11944K	N/A	SP6379C
22V30-27PF	P2-30-27PF	SP11309C	AP11625G-1	SP12112G	N/A	SP13160E	N/A	SP20070	SP20064
22V30-30F	P2-30-30F	SP11309C	AP11625G-1	SP12112G	SP8555R	N/A	SP20069	N/A	SP20064
22V30S-30F	P2-30S-30F	AP11309Y	AP11625D-1	SP12112G	SP8555R	N/A	SP20075	N/A	SP20064
22V40F1	P2-40F1	SP11309C	AP11625H-1	SP12112E	SP8555S	N/A	SP20075	N/A	SP20064
22V40SDVX	N/A	AP11309Y	AP11251C-1	SP12159C	SP9051D	N/A	AP11944K	N/A	SP6379C
22V50DVX	N/A	SP11309C	AP11248S	SP12159C	SP9051D	N/A	AP11944K	N/A	SP6379C
22V50F1	P2-50F1	SP11309C	AP11625H-1	SP12112E	SP8555S	N/A	SP20075	N/A	SP20064
22VR75-69P	PR75P-69P	AP11525C	AP11237G	SP12112S	N/A	SP12258N	N/A	SP8980C	SP6379C
22VR75-70N	PR75-70N	AP11525C	AP11237G	SP12112S	SP12941D	N/A	SP8980B	N/A	SP6379C
22X40F1	M2-40F1	SP11526C	AP11625H-1	SP12112E	SP8555S	N/A	SP20075	N/A	SP20064
22X50F1	M2-50F1	SP11526C	AP11625H-1	SP12112E	SP8555S	N/A	SP20075	N/A	SP20064
22XR75-69P	MR75-69P	SP11526C	AP11237G	SP12112S	N/A	SP12258N	N/A	SP8980C	SP6379C
22XR75-70N	MR75-70N	SP11526C	AP11237G	SP12112S	SP12941D	N/A	SP8980B	N/A	SP6379C
41V30, T/P	PH30, T/P	SP11309C	SP11269C	SP12039	SP8555B	SP12258B	SP8980B	SP8980C	SP6379K
41V30LB	PH30LB	SP11309C	SP11269C	SP12039	SP8555B	SP12258B	SP8980B	SP8980C	SP6379K
41V30S	PH30S	SP11309C	SP11248R	SP12039	SP8555B	SP12258B	SP8980B	SP8980C	SP6379K
41V30S	PH30S	SP11309C	SP11248R	SP12039	SP8555B	SP12258B	SP8980B	SP8980C	SP6379K
41V30SP	PH30SP	SP11309C	SP11248R	SP12039	SP8555B	SP12258B	SP8980B	SP8980C	SP6379K
41V40	PH40	SP11309C	SP11248R	SP12039	SP8555B	SP12258B	SP8980B	SP8980C	SP6379K
41V40LB	PH40LB	SP11309C	SP11248R	SP12039	SP8555B	SP12258B	SP8980B	SP8980C	SP6379K
41V40P	PH40P	SP11309C	SP11248R	SP12039	SP8555B	SP12258B	SP8980B	SP8980C	SP6379K
41V40S	PH40S	SP11309C	SP11248R	SP12039	SP8555B	SP12258B	SP8980B	SP8980C	SP6379K
41V40S	PH40S	SP11309C	SP11248R	SP12039	SP8555B	SP12258B	SP8980B	SP8980C	SP6379K
41V40SP	PH40SP	SP11309C	SP11248R	SP12039	SP8555B	SP12258B	SP8980B	SP8980C	SP6379K
41V50	PH50	SP11309C	SP11248R	SP12039	SP8555B	SP12258B	SP8980B	SP8980C	SP6379K
41V50-4/P	PH50-4/P	SP11309C	SP11248R	SP12039	SP8555B	SP12258B	SP8980B	SP8980C	SP6379K
41V50P	PH50	SP11309C	SP11248R	SP12039	SP8555B	SP12258B	SP8980B	SP8980C	SP6379K
41V50S	PH50S	SP11309C	SP11248R	SP12039	SP8555B	SP12258B	SP8980B	SP8980C	SP6379K
41VR40	PHR40	SP11309C	SP11248R	SP12039	SP8555P	SP12258P	SP8980B	SP8980C	SP6379K
41VR40N	PHR40N	SP11309C	SP11248R	SP12039	SP8555P	SP12258P	SP8980B	SP8980C	SP6379K
41VR50	PHR50	SP11309C	SP11248R	SP12039	SP8555P	SP12258P	SP8980B	SP8980C	SP6379K
41VR50N	PHR50N	SP11309C	SP11248R	SP12039	SP8555P	SP12258P	SP8980B	SP8980C	SP6379K
41X30S	MH30S	SP11309C	SP11248R	SP12039	SP8555B	SP12258B	SP8980B	SP8980C	SP6379K
41X30SP	MH30SP	SP11309C	SP11248R	SP12039	SP8555B	SP12258B	SP8980B	SP8980C	SP6379K
41X40	MH40	SP11526C	SP11248R	SP12039	SP8555B	SP12258B	SP8980B	SP8980C	SP6379K
41X40P	MH40P	SP11526C	SP11248R	SP12039	SP8555B	SP12258B	SP8980B	SP8980C	SP6379K
41X40S	MH40S	SP11526C	SP11248R	SP12039	SP8555B	SP12258B	SP8980B	SP8980C	SP6379K
41X40S	MH40S	SP11526C	SP11248R	SP12039	SP8555B	SP12258B	SP8980B	SP8980C	SP6379K
41X40SP	MH40SP	SP11526C	SP11248R	SP12039	SP8555B	SP12258B	SP8980B	SP8980C	SP6379K
41X50	MH50	SP11526C	SP11248R	SP12039	SP8555B	SP12258B	SP8980B	SP8980C	SP6379K
41X50-6	MH50-6	SP11526C	SP11269C	SP12039	SP10022P	SP12258P	SP8384B	SP8384D	SP6379K
41X50-6-A	MH50-6-A	SP11526C	SP11269C	SP12039	SP10022P	SP12258P	SP8384B	SP8384D	SP6379K
41X50N	MH50N	SP11526C	SP11248R	SP12039	SP8555B	NONE	SP8980B	NONE	SP6379K
41X50P	MH50P	SP11526C	SP11248R	SP12039	NONE	SP12258B	NONE	SP8980C	SP6379K
41X75	MH75	SP11526C	SP11269C	SP12039	SP8555B	SP12258N	SP8384B	SP8384D	SP6379K
41XR40	MR40	SP11526C	SP11624G	SP12039	SP8555P	SP12258P	SP8980B	SP8980C	SP6379K
41XR40N	MR40N	SP11526C	SP11624G	SP12039	SP8555P	SP12258P	SP8980B	SP8980C	SP6379K
41XR50	MR50	SP11526C	SP11624G	SP12039	SP8555P	SP12258P	SP8980B	SP8980C	SP6379K

**Residential Gas – Continued**

Rheem Model Number	Ruud Model Number	Anode	Dip Tube	Drain Valve	Thermo-stat Nat	Thermo-stat LP	Pilot Nat	Pilot LP	Thermo Couple
41XR50N	MR50N	SP11526C	SP11624G	SP12039	SP8555P	SP12258P	SP8980B	SP8980C	SP6379F
41XR75	MR75	SP11526C	SP11269C	SP12039	SP8555N	SP12258N	SP8384B	SP8384D	SP6379F
41XR75-1	MR75-1	SP11526C	SP11269C	SP12039	SP8555N	NONE	SP8384B	NONE	SP6379F
42V38-34PROPF	PH2-38-34PROPF	SP11526C	AP11625G-1	SP12112G	N/A	SP13160E	N/A	SP20076	SP20064
42V40F	PH2-40F	SP11309C	AP11625G-1	SP12112G	SP8555R	N/A	SP20075	N/A	SP20064
42V40PF	PH2-40PF	SP11309C	AP11625G-1	SP12112G	N/A	SP13160E	N/A	SP20076	SP20064
42V40PROF	PH2-40PROF	SP11526C	AP11625G-1	SP12112G	SP8555R	N/A	SP20075	N/A	SP20064
42V40S-36PF	PH2-40S-36PF	AP11309Y	AP11625E-1	SP12112G	N/A	SP13160E	N/A	SP20076	SP20064
42V40S-36PROPF	PH2-40S-36PROPF	AP11526Y	AP11625E-1	SP12112G	N/A	SP13160E	N/A	SP20076	SP20064
42V40S-40F	PH2-40S-40F	AP11309Y	AP11625E-1	SP12112G	SP8555R	N/A	SP20075	N/A	SP20064
42V40S-40PROF	PH2-40S-40PROF	AP11526Y	AP11625E-1	SP12112G	SP8555R	N/A	SP20075	N/A	SP20064
42V50-36PF	PH2-50-36PF	SP11309C	AP11625P	SP12112G	N/A	SP13160E	N/A	SP20076	SP20064
42V50-36PROPF	PH2-50-36PROPF	SP11526C	AP11625P	SP12112G	N/A	SP13160E	N/A	SP20076	SP20064
42V50-40F	PH2-50-40F	SP11309C	AP11625P	SP12112G	SP8555R	N/A	SP20075	N/A	SP20064
42V50-40PROF	PH2-50-PROF	SP11526C	AP11625P	SP12112G	SP8555R	N/A	SP20075	N/A	SP20064
42V60-50T	PH2-60-50T	AP11526S	AP11251G	SP12112G	SP20085	N/A	N/A	N/A	SP6379K
42VR40-34PF	PH2R40-34PF	SP11309C	AP11625F-1	SP12112S	N/A	SP13160D	N/A	SP20076	SP20064
42VR40-40F	PH2R40-40F	SP11309C	AP11625F-1	SP12112S	SP8555T	N/A	SP20075	N/A	SP20064
42VR50-36PF	PH2R50-36PF	SP11309C	AP11625P	SP12112S	N/A	SP13160D	N/A	SP20076	SP20064
42VR50-40F	PH2R50-40F	SP11309C	AP11625P	SP12112S	SP8555T	N/A	SP20075	N/A	SP20064
42X40F	MH2-40F	SP11526C	AP11625G-1	SP12112G	SP8555R	N/A	SP20075	N/A	SP20064
42X40S-40F	MH2-40S-40F	AP11526Y	AP11625E-1	SP12112G	SP8555R	N/A	SP20075	N/A	SP20064
42X50-40F	MH2-50-40F	SP11526C	AP11625P	SP12112G	SP8555R	N/A	SP20075	N/A	SP20064
42XR40-40F	MH240-40F	SP11526C	AP11625F-1	SP12112S	SP8555T	N/A	SP20075	N/A	SP20064
42XR50-40F	MH2R50-40F	SP11526C	AP11625P	SP12112S	SP8555T	N/A	SP20075	N/A	SP20064
44V40	PT40	SP11526C	SP11248R	SP12039	SP8555F	SP12258F	SP8980B	SP8980C	SP6379F
44V40-1	PT40-1	SP11526C	SP11248R	SP12039	SP8555F	SP12258F	SP8980B	SP8980C	SP6379F
44V40-1 P	PT40-1 P	SP11526C	SP11248R	SP12039	SP8555F	SP12258F	SP8980B	SP8980C	SP6379F
44V40-2	PT40-2	SP11526C	SP11248R	SP12039	SP8555F	NONE	SP8980B	NONE	SP6379F
44V40P	PT40P	SP11526C	SP11248R	SP12039	NONE	SP12258B	NONE	SP8980C	SP6379F
44V50	PT50	SP11526C	SP11248R	SP12039	SP8555F	SP12258F	SP8980B	SP8980C	SP6379F
44V50-1	PT50-1	SP11526C	SP11248R	SP12039	SP8555F	NONE	SP8980B	NONE	SP6379F
44V50-2	PT50-2	SP11526C	SP11248R	SP12039	SP10022F	NONE	SP8384B	NONE	SP6379C
44V50P	PT50P	SP11526C	SP11248R	SP12039	NONE	SP12258F	NONE	SP8980C	SP6379C
42V60-50	PH2-60-50	SP11526S	AP11625Q	SP12112G	SP20085K	N/A	SP8980B	SP8980C	SP6379K
44V62	PT62	SP11309C	SP11269C	SP12039	SP8555B	NONE	SP8384B	NONE	SP6379C
44V76	PT76	SP11309C	SP11269C	SP12039	SP8555B	NONE	SP8384B	NONE	SP6379C
44V91	PT91	SP11309C	SP11269C	SP12039	SP10022F	NONE	SP8384B	NONE	SP6379C
44X40	MT40	AP10377D	SP11248R	SP12039	SP10022F	NONE	SP8384B	NONE	SP6379L
44X40-1	MT40-1	AP10377D	SP11248R	SP12039	SP8555F	NONE	SP8980B	NONE	SP6379K
44X40-1 P	MT40-1 P	AP10377D	SP11248R	SP12039	NONE	SP12258F	NONE	SP8980C	SP6379K
44X40-2	MT40-2	AP10377D	SP11248R	SP12039	SP8555F	NONE	SP8980E	NONE	SP6379K
44X50-2	MT50-2	AP10377D	SP11248R	SP12039	SP10022F	NONE	SP8384B	NONE	SP6379L
44X50P	MT50P	AP10377D	SP11248R	SP12039	NONE	SP12258F	NONE	SP8980C	SP6379K
44X62	MT62	SP11309C	SP11248R	SP12039	SP8555B	NONE	SP8384B	NONE	SP6379C
44X76	MT76	SP11309C	SP11269C	SP12039	SP8555B	NONE	SP8384B	NONE	SP6379C
44X91	MT91	SP11309C	SP11269C	SP12039	SP10022F	NONE	SP8384B	NONE	SP6379C
RHGPRO100-75*	RUGPRO100-75*	SP11526C	SP11269C	SP6070E	SP10022F	SP12258F	SP8384B	SP8384D	SP6379K
RHGPRO40-34PF	RUGPRO40-34PF	SP11526C	AP11625F-1	SP12112S	N/A	SP13160D	N/A	SP20076	SP20064
RHGPRO40-37*	RUGPRO40-37*	SP11526C	SP11624G	SP6070S	SP8555P	SP12258B	SP8980B	SP8980C	SP6379K
RHGPRO40-40*	RUGPRO40-40*	SP11526C	SP11624G	SP6070S	SP8555P	SP12258P	SP8980B	SP8980C	SP6379K
RHGPRO40-40F	RUGPRO40-40F	SP11526C	AP11625F-1	SP12112S	SP8555T	N/A	SP20075	N/A	SP20064
RHGPRO40S-37*	RUGPRO40S-37*	SP11526C	SP11624G	SP6070E	SP8555B	SP12258B	SP8980B	SP8980C	SP6379K
RHGPRO50-34PF	RUGPRO50-34PF	SP11526C	AP11625P	SP12112S	N/A	SP13160D	N/A	SP20076	SP20064
RHGPRO50-40*	RUGPRO50-40*	SP11526C	SP11624G	SP6070S	SP8555P	SP12258P	SP8980B	SP8980C	SP6379K
RHGPRO50-40F	RUGPRO50-40F	SP11526C	AP11625P	SP12112S	SP8555T	N/A	SP20075	N/A	SP20064
RHGPRO50-50*	RUGPRO50-50*	SP11526C	SP11624G	SP6070S	SP8555P	SP12258B	SP8980B	SP8980C	SP6379K
RHGPRO50-50F	RUGPRO50-50F	SP11526C	AP11625P	SP12112G	AP8555W-1	N/A	SP20075	N/A	SP20064
RHGPRO50-60*	RUGPRO50-60*	SP11526C	SP11269C	SP6070S	SP8555P	SP12258P	SP8384B	SP8384D	SP6379K
RHGPRO75-69P	RUGPRO75-69P	SP11526C	AP11237G	SP12112S	N/A	SP12258N	N/A	SP8980C	SP6379C
RHGPRO75-70N	RUGPRO75-70N	SP11526C	AP11237G	SP12112S	SP12941D	N/A	SP8980B	N/A	SP6379C
RHGPRO75-75*	RUGPRO75-75*	SP11526C	SP11269C	SP6070S	SP10022N	SP12258N	SP8384B	SP8384D	SP6379K
RMGPRO40*	RDG-PRO40*	SP11526C	SP11248R	SP6070E	SP8555P	NONE	SP8980B	NONE	SP6379K
RMGPRO40P*	RDG-PRO40P*	SP11526C	SP11248R	SP6070E	NONE	SP12258B	NONE	SP8980C	SP6379K
RMGPRO40S*	RUGPRO40S*	SP11526C	SP11248R	SP6070E	SP8555B	SP12258B	SP8980B	SP8980C	SP6379K
RMGPRO40SP*	RDG-PRO40SP*	SP11526C	SP11248R	SP6070E	SP8555B	SP12258B	SP8980B	SP8980C	SP6379K
RMGPRO50P*	RDG-PRO50P*	SP11526C	SP11248R	SP6070E	SP8555P	SP12258P	SP8980B	SP8980C	SP6379K
RMGVRPRO40*	RDGVR-PRO40*	SP11526C	SP11248R	SP6070S	SP8555P	NONE	SP8980B	NONE	SP6379K
RMGVRPRO40P*	RDGVR-PRO40P*	SP11526C	SP11248R	SP6070S	NONE	SP12258P	NONE	SP8980C	SP6379K
RMGVRPRO50*	RDGVR-PRO50*	SP11526C	SP11248R	SP6070S	SP8555P	NONE	SP8980B	NONE	SP6379K
RMGVRPRO50P*	RDGVR-PRO50P*	SP11526C	SP11248R	SP6070S	NONE	SP12258P	NONE	SP8980C	SP6379K

\* EverKleen dip tubes available for PRO models



## PowerVents – Residential and Commercial

Rheem Model Number	Ruud Model Number	Blower Motor	Dip Tube	Gas Drain Valve	Gas Valve Nat	Pilot Valve LP	Pilot Ignitor Nat	Ignitor Ignitor LP	Control Module
22VRP75	PVRP75	AP13211	AP13266A	SP12112S	SP12556	N/A	SP12560B	N/A	N/A
22VRP75P	PVRP75P	AP13211	AP13266A	SP12112S	N/A	SP12557	N/A	SP12560C	
41VRP40N	PVRP40N	SP12562	AP11251Q-2	SP12112S	SP12556	N/A	SP12560B	N/A	N/A
41VRP40-P	PVRP40-P	SP12562	AP11251Q-2	SP12112S	N/A	SP12557	N/A	SP12560C	
41VRP50-55N	PVRP50-55N	AP13194	AP11251Q-2	SP12112S	SP12556	N/A	SP12560B	N/A	N/A
41VRP50N	PVRP50N	SP12562	AP11251Q-2	SP12112S	SP12556	N/A	SP12560B	N/A	N/A
41VRP50-P	PVRP50-P	SP12562	AP11251Q-2	SP12112S	N/A	SP12557	N/A	SP12560C	N/A
GPV75-75E	GPV75-75E	AP11608	SP11269F	SP6070S	SP12556	SP11652C	SP12049D	SP12049E	SP10763B
<b>Obsolete Models</b>									
21VP40-1	PVP40-1	AP10983***	SP10768C	SP12039	SP10886B	N/A	SP10972	N/A	SP10758
21VP40-1 /P-A	PVP40-1/P-A	AP10983***	SP10768C	SP12039	N/A	SP10886C	N/A	SP10972	SP10758
21VP40E-1	PVP40-E1-A	AP10983***	SP11248R	SP12039	SP11652B	N/A	SP12049B	N/A	SP10763B
21VP40E-1P	PVP40E-1P	AP10983***	SP11248R	SP12039	N/A	SP11652C	N/A	SP12049C	SP10763B
21VP40H-1/P-A	PVP40H-1/P-A	AP10983***	SP10768C	SP12039	N/A	SP10886C	N/A	SP10972	SP10758
21VP40HE-1	PVP40HE-1	AP10983***	SP11248R	SP12039	SP11652B	N/A	SP12049B	N/A	SP10763B
21VP40HE-1P	PVP40HE-1P	AP10983***	SP11248R	SP12039	N/A	SP11652C	N/A	SP12049C	SP10763B
21VP50-1	PVP50-1	AP10983***	SP10768C	SP12039	SP10886B	N/A	SP10972	N/A	SP10758
21VP50-1 /P-A	PVP50-1/P-A	AP10983***	SP10768C	SP12039	N/A	SP10886C	N/A	SP10972	SP10758
21VP50E-1	PVP50E-1	AP10983***	SP11248R	SP12039	SP11652B	N/A	SP12049B	N/A	SP10763B
21VP50E-1P	PVP50E-1P	AP10983***	SP11248R	SP12039	N/A	SP11652C	N/A	SP12049C	SP10763B
21VP50H-1/P-A	PVP50H-1/P-A	AP10983***	SP10768C	SP12039	N/A	SP10886C	N/A	SP10972	SP10758
21VP50HE-1	PVP50HE-1	AP10983***	SP11248R	SP12039	SP11652B	N/A	SP12049B	N/A	SP10763B
21VP50HE-1P	PVP50HE-1P	AP10983***	SP11248R	SP12039	N/A	SP11652C	N/A	SP12049C	SP10763B
21VP75E-1	PVP75E-1	AP11608	SP11269C	SP6070S	SP11652B	N/A	SP12049D	N/A	SP10763B
21VP75E-1P	PVP75E-1P	AP11608	SP11269F	SP6070S	SP11652B	SP11652C	SP12049D	SP12049E	SP10763B
21VP75E-1P	PVP75E-1P	AP11608	SP11269C	SP6070S	N/A	SP11652C	N/A	SP12049E	SP10763B

• Surface Mounted Thermostat –SP12390 – all residential models, SP12391 all commercial models

• \*\* Vacuum Switch – SP11875 – all models

• \*\*\* High Altitude Blower Assembly, 40 & 50 Gallon, use AP10984-3

## Residential Electric

Rheem Model Number	Ruud Model Number	Non-Sim Thermostat Upper	Sim Thermostat Upper	Non-Sim Thermostat Lower	Sim Thermostat Lower	S/E 120V	S/E 208-480V	Anode	Drain Valve
68V30S/D	PESC30-1/2	SP11698	SP11699	SP11695	SP11695	SP11700	SP11699	SP11524C	SP12039
71V40-B	PM40-B	SP11698	SP11699	SP11695	SP11695	SP11700	SP11699	SP11524C	SP12039
71V52-B	PM52-B	SP11698	SP11699	SP11695	SP11695	SP11700	SP11699	SP11524C	SP12039
72-20-1	N/A	N/A	N/A	N/A	N/A	SP11700	N/A	AP6240V-11	SP12159C
72-30-1	N/A	N/A	N/A	N/A	N/A	SP11700	SP11699	AP6240T-11	SP12159F
72-30-2	N/A	SP11698	N/A	SP11695	N/A	N/A	SP11699	AP6240T-11	SP12159F
72-40-1	N/A	N/A	N/A	N/A	N/A	N/A	SP11699	AP6240T-11	SP12159F
72-40-2	N/A	SP11698	N/A	SP11695	N/A	N/A	N/A	AP6240T-11	SP12159F
72-52-1	N/A	N/A	N/A	N/A	N/A	N/A	SP11699	AP6240BD	SP12159F
72-52-2	N/A	SP11698	N/A	SP11695	N/A	N/A	N/A	AP6240BD	SP12159F
72V20-1	N/A	N/A	N/A	N/A	N/A	SP11700	SP11699	AP11309V	SP12159C
72V30	N/A	SP11698	N/A	SP11695	N/A	N/A	SP11699	AP11309T	SP12159F
72V40-2	N/A	SP11698	N/A	SP11695	N/A	N/A	N/A	SP12525T	SP12159F
72V52-2	N/A	SP11698	N/A	SP11695	N/A	N/A	N/A	AP11309BD	SP12159F
81VR100-1/T	RSPER100-1/T	SP11698	SP11699	SP11695	SP11695	SP11700	SP11699	SP11524C	SP12039
81166S/D	PEI66-1/2	SP11698	SP11699	SP11695	SP11695	SP11700	SP11699	SP11524C	SP12039
81180S/D	PEI80-1/2	SP11698	SP11699	SP11695	SP11695	SP11700	SP11699	SP11524C	SP12039
81GX30	MEG30-1/2	SP11698	SP11699	SP11695	SP11695	SP11700	SP11699	SP11524C	SP12039
81GX40-B	MEG40-1/2	SP11698	SP11699	SP11695	SP11695	SP11700	SP11699	SP11524C	SP12039
81GX52-8	MEG52-1/2	SP11698	SP11699	SP11695	SP11695	SP11700	SP11699	SP11524C	SP12039
81GX66S/D	MEG66-1/2	SP11698	SP11699	SP11695	SP11695	SP11700	SP11699	SP11524C	SP12039
81GX80S/D	MEG80-1/2	SP11698	SP11699	SP11695	SP11695	SP11700	SP11699	SP11524C	SP12039
81MV30-A	PEM30-A	SP11698	SP11699	SP11695	SP11695	SP11700	SP11699	SP11524C	SP12039
81MV52-B	PEB52-1/2	SP11698	SP11699	SP11695	SP11695	SP11700	SP11699	SP11524C	SP12039
81MVR52S/D	PEM52-1/2	SP11698	SP11699	SP11695	SP11695	SP11700	SP11699	SP11524C	SP12039
81MX30D	MEM30-2	SP11698	SP11699	SP11695	SP11695	SP11700	SP11699	SP11526C	SP12039
81MX52D	MEM52-2	SP11698	SP11699	SP11695	SP11695	SP11700	SP11699	SP11526C	SP12039
81SV20S/D	PES20-1/2	SP11698	SP11699	SP11695	SP11695	SP11700	SP11699	SP11524C	SP12039
81SV30D	PES30-1/2	SP11698	SP11699	SP11695	SP11695	SP11700	SP11699	SP11524C	SP12039
81SV30-D	PES30-1/2	SP11698	SP11699	SP11695	SP11695	SP11700	SP11699	SP11524C	SP12039
81SV40-A	PES40-2	SP11698	SP11699	SP11695	SP11695	SP11700	SP11699	SP11524C	SP12039
81SV40D	PES40-2	SP11698	SP11699	SP11695	SP11695	SP11700	SP11699	SP11524C	SP12039
81SV50D	PES50-2	SP11698	SP11699	SP11695	SP11695	SP11700	SP11699	SP11524C	SP12039
81SV52-B	PES52-2B	SP11698	SP11699	SP11695	SP11695	SP11700	SP11699	SP11524C	SP12039
81SV52D	PES52-2	SP11698	SP11699	SP11695	SP11695	SP11700	SP11699	SP11524C	SP12039
81SX20S/D	MES20-1/2	SP11698	SP11699	SP11695	SP11695	SP11700	SP11699	SP11524C	SP12039
81SX30D	MES30-2	SP11698	SP11699	SP11695	SP11695	SP11700	SP11699	SP11524C	SP12039
81SX40D	MES40-2	SP11698	SP11699	SP11695	SP11695	SP11700	SP11699	SP11524C	SP12039

**Residential Electric – Continued**

Rheem Model Number	Ruud Model Number	Non-Sim Thermo-stat Upper	Sim Thermo-stat Upper	Non-Sim Thermo-stat Lower	Sim Thermo-stat Lower	S/E 120V	S/E 208-480V	Anode	Drain Valve
81SX50D	MES-50-2	SP11698	SP11699	SP11695	SP11695	SP11700	SP11699	SP11524C	SP12039
81SX52D	MES-52-2	SP11698	SP11699	SP11695	SP11695	SP11700	SP11699	SP11524C	SP12039
81V-100HE-1/-T	RSPE-100HE-1/-T	SP11698	SP11699	SP11695	SP11695	SP11700	SP11699	SP11524C	SP12040
81V120-B	PE120-2	SP11698	SP11699	SP11695	SP11695	SP11700	SP11699	SP11309C	SP12043
81V-120HE-1/-T	RSPE-120HE-1/-T	SP11698	SP11699	SP11695	SP11695	SP11700	SP11699	SP11524C	SP12041
81V30-A	PE30-2	SP11698	SP11699	SP11695	SP11695	SP11700	SP11699	SP11526C	SP12044
81V40-A	PE40-2	SP11698	SP11699	SP11695	SP11695	SP11700	SP11699	SP11526C	SP12045
81V40-C	PE40-2	SP11698	SP11699	SP11695	SP11695	SP11700	SP11699	SP11524C	SP12046
81V52-B	PE52-2	SP11698	SP11699	SP11695	SP11695	SP11700	SP11699	SP11526C	SP12047
81V66-A	PE66-2	SP11698	SP11699	SP11695	SP11695	SP11700	SP11699	SP11524C	SP12048
81V-80HE-1/-T	RSPE-80HE-1/-T	SP11698	SP11699	SP11695	SP11695	SP11700	SP11699	SP11524C	SP12042
81V80S/D	PE80-2	SP11698	SP11699	SP11695	SP11695	SP11700	SP11699	SP11524C	SP12049
81VP10S	PEP10-1	SP11698	SP11699	SP11695	SP11695	SP11700	SP11699	SP11309C	NONE
81VP15S	PEP15-1	SP11698	SP11699	SP11695	SP11695	SP11700	SP11699	SP11309C	NONE
81VP20S	PEP20-1	SP11698	SP11699	SP11695	SP11695	SP11700	SP11699	SP11309C	NONE
81VP2S	PEP2-1	SP11698	SP11699	SP11695	SP11695	SP11700	SP11699	SP11309C	SP12039
81VP4S	PEP4-1	SP11698	SP11699	SP11695	SP11695	SP11700	SP11699	SP11309C	SP12039
81VP6S	PEP6-1	SP11698	SP11699	SP11695	SP11695	SP11700	SP11699	SP11309C	SP12039
81VR100TC-1/-T	RSPER100-1/T	SP11698	SP11699	SP11695	SP11695	SP11700	SP11699	SP11524C	SP12039
81VR120-1	RSPER120-1	SP11698	SP11699	SP11695	SP11695	SP11700	SP11699	SP11524C	SP12039
81VR120-1/-T	RSPER120-1/T	SP11698	SP11699	SP11695	SP11695	SP11700	SP11699	SP11524C	SP12039
81VR120TC-1/-T	RSPER120-1/T	SP11698	SP11699	SP11695	SP11695	SP11700	SP11699	SP11524C	SP12039
81VR30-A	PER30-A	SP11698	SP11699	SP11695	SP11695	SP11700	SP11699	SP11309C	SP12039
81VR30S/D	PER30-1/2	SP11698	SP11699	SP11695	SP11695	SP11700	SP11699	SP11526C	SP12039
81VR40-C	PER40-C	SP11698	SP11699	SP11695	SP11695	SP11700	SP11699	SP11309C	SP12039
81VR52S/D	PER52-1/2	SP11698	SP11699	SP11695	SP11695	SP11700	SP11699	SP11526C	SP12039
81VR66-1/-T	RSPER66-1/T	SP11698	SP11699	SP11695	SP11695	SP11700	SP11699	SP11524C	SP12039
81VR66S/D	PER66-1/2	SP11698	SP11699	SP11695	SP11695	SP11700	SP11699	SP11524C	SP12039
81VR66TC-1/-T	RSPER66TC-1/T	SP11698	SP11699	SP11695	SP11695	SP11700	SP11699	SP11524C	SP12039
81VR80-1/-T	RSPER80-1/T	SP11698	SP11699	SP11695	SP11695	SP11700	SP11699	SP11524C	SP12039
81VR80S/D	PER80-1/2	SP11698	SP11699	SP11695	SP11695	SP11700	SP11699	SP11524C	SP12039
81VR80TC-1/-T	RSPER80TC-1/T	SP11698	SP11699	SP11695	SP11695	SP11700	SP11699	SP11524C	SP12039
81X120D	ME120-1/2	SP11698	SP11699	SP11695	SP11695	SP11700	SP11699	SP11526C	SP12039
81X30D	ME30-1/2	SP11698	SP11699	SP11695	SP11695	SP11700	SP11699	SP11526C	SP12039
81X40D	ME40-1/2	SP11698	SP11699	SP11695	SP11695	SP11700	SP11699	SP11526C	SP12039
81X52D	ME52-1/2	SP11698	SP11699	SP11695	SP11695	SP11700	SP11699	SP11526C	SP12039
81X66D	ME66-1/2	SP11698	SP11699	SP11695	SP11695	SP11700	SP11699	SP11526C	SP12039
81X66S/D	ME66-1/2	SP11698	SP11699	SP11695	SP11695	SP11700	SP11699	SP11526C	SP12039
81X80D	ME80-1/2	SP11698	SP11699	SP11695	SP11695	SP11700	SP11699	SP11526S	SP12039
81X80S/D	ME80-1/2	SP11698	SP11699	SP11695	SP11695	SP11700	SP11699	SP11526C	SP12039
81XH52D	MEH52-2	SP11698	SP11699	SP11695	SP11695	SP11700	SP11699	SP11526C	SP12039
82IP30-1	N/A	N/A	N/A	N/A	N/A	SP11700	SP11699	AP6240BH	N/A
82IP30-2	N/A	SP11698	N/A	SP11695	N/A	N/A	N/A	AP6240BH	N/A
82MV30-2	PE2M-30-2	SP11698	N/A	SP11695	N/A	N/A	N/A	AP11525BC	SP12112G
82MV52-1	PE2M-52-1	N/A	N/A	N/A	N/A	N/A	SP11699	AP11525T	SP12112G
82MV52-2	PE2M-52-2	SP11698	N/A	SP11695	N/A	N/A	N/A	AP11525T	SP12112G
82MVR52-2	EMV52-2	SP11698	SP11699	SP11695	SP11695	SP11700	SP11699	SP11526C	SP12039
82MXR52-2	EMVR52-2	SP11698	SP11699	SP11695	SP11695	SP11700	SP11699	SP11526C	SP12039
82SV20-1	PE2S20-1	N/A	N/A	N/A	N/A	SP11700	SP11699	AP11309V	SP12112G
82SV20-2	PES20-2	SP11698	N/A	SP11695	N/A	N/A	N/A	AP11309V	SP12112G
82SV30-1	PES30-1	N/A	N/A	N/A	N/A	SP11700	SP11699	AP11525BH	SP12112G
82SV30-2	PES30-2	SP11698	N/A	SP11695	N/A	N/A	N/A	AP11525BH	SP12112G
82SV40-1	PE2S40-1	N/A	N/A	N/A	N/A	SP11700	SP11699	AP11525V	SP12112G
82SV40-2	PE2S40-2	SP11698	N/A	SP11695	N/A	N/A	N/A	AP11525V	SP12112G
82SV50-1	PES250-1	N/A	N/A	N/A	N/A	N/A	SP11699	AP11525V	SP12112S
82SV50-2	PE2S50-2	SP11698	N/A	SP11695	N/A	N/A	N/A	AP11525V	SP12112S
82V30-1	PE2-30-1	N/A	N/A	N/A	N/A	SP11700	SP11699	AP11309T	SP12112G
82V30-2	PE2-30-2	SP11698	N/A	SP11695	N/A	N/A	N/A	AP11309T	SP12159F
82V40-1	PE2-40-1	N/A	N/A	N/A	N/A	SP11700	SP11699	AP11525T	SP12112G
82V40-2	PE2-40-2	SP11698	N/A	SP11695	N/A	N/A	N/A	AP11525T	SP12112G
82V52-1	PE2-52-1	N/A	N/A	N/A	N/A	N/A	SP11699	AP11309BD	SP12112G
82V52-2	PE2-52-2	SP11698	N/A	SP11695	N/A	N/A	N/A	AP11309BD	SP12112G
82V66-1	PE2-66-1	N/A	N/A	N/A	N/A	N/A	SP11699	AP11525W	SP12112G
82V66-2	PE2-66-2	SP11698	N/A	SP11695	N/A	N/A	N/A	AP11525W	SP12112G
82V80-2	PE2-80-2	SP11698	N/A	SP11695	N/A	N/A	N/A	AP11525W	SP12112G
82VH40-1	PE2H-40-1	N/A	N/A	N/A	N/A	N/A	SP11699	AP11309W	SP12112G
82VH40-2	PE2H-40-2	SP11698	N/A	SP11695	N/A	N/A	N/A	AP11309W	SP12112G
82VP30-1	PEP30-1	N/A	N/A	N/A	N/A	SP11700	SP11699	AP11525BH	N/A
82VP30-2	PEP30-2	SP11698	N/A	SP11695	N/A	N/A	N/A	AP11525BH	N/A
82VR30-2	EVR30-2	SP11698	SP11699	SP11695	SP11695	SP11700	SP11699	SP11309C	SP12039
82VR40-2	EVR40-2	SP11698	SP11699	SP11695	SP11695	SP11700	SP11699	SP11526C	SP12039
82VR52-2	EVR52-2	SP11698	SP11699	SP11695	SP11695	SP11700	SP11699	SP11526C	SP12039
82VR66-2	EVR66-2	SP11698	SP11699	SP11695	SP11695	SP11700	SP11699	SP11526C	SP12039

**Residential Electric – Continued**

Rheem Model Number	Ruud Model Number	Non-Sim Thermostat Upper	Sim Thermostat Upper	Non-Sim Thermostat Lower	Sim Thermostat Lower	S/E 120V	S/E 208-480V	Anode	Drain Valve
82VR80-2	EV80-2	SP11698	SP11699	SP11695	SP11695	SP11700	SP11699	SP11526C	SP12039
82XR30-2	EXR30-2	SP11698	SP11699	SP11695	SP11695	SP11700	SP11699	SP11526C	SP12039
82XR40-2	EXR40-2	SP11698	SP11699	SP11695	SP11695	SP11700	SP11699	SP11526C	SP12039
82XR52-2	EXR52-2	SP11698	SP11699	SP11695	SP11695	SP11700	SP11699	SP11526C	SP12039
82XR66-2	EXR66-2	SP11698	SP11699	SP11695	SP11695	SP11700	SP11699	SP11526C	SP12039
82XR80-2	EXR80-2	SP11698	SP11699	SP11695	SP11695	SP11700	SP11699	SP11526C	SP12039
83MVR52-2	PE3MR-52-2	SP11698	N/A	SP11695	N/A	N/A	N/A	AP11525T	SP12112T
83MXR52-2	ME3MR-52-2	SP11698	N/A	SP11695	N/A	N/A	N/A	AP11526T	SP12112T
83VR40-2	PE3R-40-2	SP11698	N/A	SP11695	N/A	N/A	N/A	AP11526T	SP12112T
83VR52-2	PE3R-52-2	SP11698	N/A	SP11695	N/A	N/A	N/A	AP11309BD	SP12112T
83VR66-2	PE3R-66-2	SP11698	N/A	SP11695	N/A	N/A	N/A	AP11525W	SP12112S
83XR80-2	PE3R-80-2	SP11698	N/A	SP11695	N/A	N/A	N/A	AP11525W	SP12112S
83XR40-2	ME3R-40-2	SP11698	N/A	SP11695	N/A	N/A	N/A	AP11526T	SP12112T
83XR52-2	ME3R-52-2	SP11698	N/A	SP11695	N/A	N/A	N/A	AP11526BD	SP12112T
83XR66-2	ME3R-66-2	SP11698	N/A	SP11695	N/A	N/A	N/A	AP11526W	SP12112S
83XR80-2	ME3R-80-2	SP11698	N/A	SP11695	N/A	N/A	N/A	AP11526W	SP12112S
8IXI20S/D	ME120-1/2	SP11698	SP11699	SP11695	SP11695	SP11700	SP11699	SP11526C	SP12039
RHEHPR040-2*	RUEHPR040-2*	SP11698	SP11699	SP11695	SP11695	SP11700	SP11699	SP11526C	SP6070G
RHEHPR040-2-A	RUEHPR040-2-A	SP11698	N/A	SP11695	N/A	N/A	N/A	AP11525W	SP12112G
RHEMPRO30-2*	RUEHPR030-2*	SP11698	SP11699	SP11695	SP11695	SP11700	SP11699	SP11526C	SP6070S
RHEMPRO30-2-A	RUEMPRO30-2-A	SP11698	N/A	SP11695	N/A	N/A	N/A	AP11526BC	SP12112G
RHEMPRO52-2*	RUEMPRO52-2*	SP11698	SP11699	SP11695	SP11695	SP11700	SP11699	SP11526C	SP6070S
RHEMPRO52-2-A	RUEHPR052-2-A	SP11698	N/A	SP11695	N/A	N/A	N/A	AP11526T	SP12112T
RHEPRO30-2*	RUEPRO30-2*	SP11698	SP11699	SP11695	SP11695	SP11700	SP11699	SP11526C	SP6070S
RHEPRO40-2*	RUEPRO40-2*	SP11698	SP11699	SP11695	SP11695	SP11700	SP11699	SP11526C	SP6070S
RHEPRO40-2-A	RUEHPR040-2-A	SP11698	N/A	SP11695	N/A	N/A	N/A	AP11526T	SP12112T
RHEPRO52-2*	RUEPRO52-2*	SP11698	SP11699	SP11695	SP11695	SP11700	SP11699	SP11526C	SP6070S
RHEPRO52-2-A	RUEPRO52-2-A	SP11698	N/A	SP11695	N/A	N/A	N/A	AP11526BD	SP12112T
RHEPRO66-2*	RUEPRO66-2*	SP11698	SP11699	SP11695	SP11695	SP11700	SP11699	SP11526C	SP6070S
RHEPRO66-2-A	RUEPRO66-2-A	SP11698	N/A	SP11695	N/A	N/A	N/A	AP11526W	SP12112S
RHEPRO80-2*	RUEPRO80-2*	SP11698	SP11699	SP11695	SP11695	SP11700	SP11699	SP11526C	SP6070S
RHEPRO80-2-A	RUEPRO80-2-A	SP11698	N/A	SP11695	N/A	N/A	N/A	AP11526W	SP12112S
RHESPRO30-2*	RUESPRO30-2*	SP11698	SP11699	SP11695	SP11695	SP11700	SP11699	SP11526C	SP6070G
RHESPRO30-2-A	RUESPRO30-2-A	SP11698	N/A	SP11695	N/A	N/A	N/A	AP11526BH	SP12112G
RHESPRO40-2*	RUESPRO40-2*	SP11698	SP11699	SP11695	SP11695	SP11700	SP11699	SP11526C	SP6070G
RHESPRO40-2-A	RUESPRO40-2-A	SP11698	N/A	SP11695	N/A	N/A	N/A	AP11526V	SP12112G
RHESPRO50-2-A	RUESPRO50-2-A	SP11698	N/A	SP11695	N/A	N/A	N/A	AP11526V	SP12112S
RHESPRO52-2*	RUESPRO52-2*	SP11698	SP11699	SP11695	SP11695	SP11700	SP11699	SP11526C	SP6070S

\* EverKleen dip tubes available for PRO models

**Commercial Gas**

Rheem Model Number	Ruud Model Number	Drain Valve	Gas Valve Nat	Gas Valve LP	Thermo-stat	Pilot Nat	Pilot LP	Vent Damper Assy	Ignition Control
G100-200	G100-200	SP6070E	SP10963D	SP10963E	SP11798B	SP10764B	SP10764C	AP13144	SP10763B
G100-250	G100-250	SP6070E	SP10963D	SP10963E	SP11798B	SP10764B	SP10764C	AP13149	SP10763B
G100-270/A	G100-270/A	SP6070E	SP10963D	SP10963E	AP12015-1	SP10764B	SP10764C	AP13149	SP10763B
G100-310/A	G100-310/A	SP6070E	SP10963D	SP10963E	AP12015-1	SP10764B	SP10764C	AP13152	SP10763B
G100-400/A	G100-400/A	SP6070E	SP8099N	SP8099P	AP12015-1	SP10764B	SP10764C	AP13150	SP10763B
G100-75	G100-75	SP6070E	SP12234C	SP12233C	NONE	SP8384B	SP8384D	NONE	NONE
G37-200-1	G37-200-1	AP12231B-1	SP10963D	SP10963E	SP11799	SP10764B	SP10764C	AP13155-1	SP10763B
G50-98	G50-98	SP6070E	SP10963B	SP10963C	SP11799	SP10764B	SP10764C	AM36431BH	SP10763B
G65-360/A	G65-360/A	SP6070E	SP10963D	SP10963E	AP12015-1	SP10764B	SP10764C	AP13143	SP10763B
G65-400/A	G65-400/A	SP6070E	SP10963D	SP10963E	AP12015-1	SP10764B	SP10764C	AM36426CH	SP10763B
G72-250/A	G72-250/A	SP6070E	SP10963D	SP10963E	AP12015-1	SP10764B	SP10764C	AP13153	SP10763B
G72-300/A	G72-300/A	SP6070E	SP10963D	SP10963E	AP12015-1	SP10764B	SP10764C	AP13151	SP10763B
G75-125	G75-125	SP6070E	SP10963D	SP10963E	SP11798B	SP10764B	SP10764C	AP13147	SP10763B
G75-75	G75-75	SP6070E	SP12234B	SP12233B	NONE	SP8384B	SP8384D	NONE	NONE
G82-156	G82-156	SP6070E	SP10963D	SP10963E	SP11798B	SP10764B	SP10764C	AP13148	SP10763B
G85-300-1	G85-300-1	AP12231B-1	SP10963D	SP10963E	SP11798B	SP10764B	SP10764C	AP13142	SP10763B
G85-400/A	G85-400/A	SP6070E	SP10963D	SP10963E	AP12015-1	SP10764B	SP10764C	AP13154	SP10763B
G91-200	G91-200	SP6070E	SP10963D	SP10963E	SP11798B	SP10764B	SP10764C	AP13145	SP10763B
GX90-500	GX90-500	AP12231B-1	N/A	SP12866P	SP12015-1	N/A	SP12305	AM39825	SP10763B
GX90-550	GX90-550	AP12231B-1	SP12866N	N/A	SP12015-1	SP12237	N/A	AM39825	SP10763B
GX90-600	GX90-600	AP12231B-1	N/A	SP12866P	SP12015-1	N/A	SP12305	AM39825	SP10763B
GX90-640	GX90-640	AP12231B-1	SP12866N	N/A	SP12015-1	SP12237	N/A	AM39825	SP10763B
GX90-680	GX90-680	AP12231B-1	N/A	SP12866P	SP12015-1	N/A	SP12305	AM39825	SP10763B
GX90-715	GX90-715	AP12231B-1	SP12866N	N/A	SP12015-1	SP12237	N/A	AM39825	SP10763B
Rheem Model Number	Ruud Model Number	Drain Valve	Gas Valve Nat	Gas Valve LP	Thermo-stat	Pilot Nat	Pilot LP	Blower Assy	Ignition Control
<b>VentMaster</b>									
GP100-200	GP100-200	AP12231B-1	AP13714	N/A	SP11798B	AP13185-1	N/A	AP13192	SP10763B
GP100-150	GP100-150	AP12231B-1	AP13714	N/A	SP11798B	AP13185-1	N/A	AP13192	SP10763B
Rheem Model Number	Ruud Model Number	Drain Valve	Gas Valve Nat	Gas Valve LP	Thermo-stat	Pilot Nat	Pilot LP	Vent Damper Assy	Ignition Control
<b>Obsolete Models</b>									
G37-160	G37-160	SP6070E	SP10963D	SP10963E	SP11799	SP10764B	SP10764C	AP13146	SP10763B
G50-60	G50-60	SP6070G	SP12234B	SP12233E	NONE	SP8384B	SP8384D	NONE	NONE
G58-50	GL50-58	SP6070E	SP12234C	SP12233C		SP8980B	SP8980C	NONE	NONE
G600-777-A	GL77-600-A	SP6070E	SP8099N	NONE	AP12015-1	SP10764B	NONE	AM38836H	SP10763B
G60-50C	GL50-60C	SP6070G	SP12234B	SP12233B	NONE	SP8980B	SP8980C	NONE	NONE
G63-100B	GL100-63B	SP6070E	SP12234C	SP12233C	NONE	SP8384B	SP8384D	NONE	NONE
G63-50B	GL50-63B	SP6070E	SP11823D	SP12232D	NONE	SP8384B	SP8384D	NONE	NONE
G76-100B	GL100-76B	SP6070E	SP12234C	SP12233C	NONE	SP8384B	SP8384D	NONE	NONE
G76-180	G76-180	SP6070E	SP10963D	SP10963E	SP11798B	SP10764B	SP10764C	AP13145	SP10763B
G76-200	G76-200	SP6070E	SP10963D	SP10963E	SP11798B	SP10764B	SP10764C	AP13146	SP10763B
G76-50	GL50-76	SP12039	SP12234C	NONE	NONE	SP8384B	NONE	NONE	NONE
G76-62	GL62-76	SP6070E	SP10022D	NONE	NONE	SP8384B	NONE	NONE	NONE
G76-76	GL76-76	SP6070E	SP12234B	SP12233B	NONE	SP8384B	SP8384D	NONE	NONE
G76-91	GL91-76	SP6070E	SP11823D	NONE	NONE	SP8384B	NONE	NONE	NONE
G77-500/A	G77-500/A	SP6070E	SP8099N	SP8099P	AP12015-1	SP10764B	SP10764C	AM36428BH	SP10763B
G67-114	G67-114	SP6070E	SP10963B	SP10963C	SP11799	SP10764B	SP10764C	AM36431BH	SP10763B
G91-300/A	G91-300/A	SP6070E	SP10963D	SP10963E	AP12015-1	SP10764B	SP10764C	AP13142	SP10763B
GD500-777-A	GLD77-500-A	SP6070E	SP8099N	SP8099P	AP12015-1	SP10764B	SP10764C	AM36428BH	SP10763B
GD600-777-A	GLD77-600-A	SP6070E	SP8099N	NONE	AP12015-1	SP10764B	NONE	AM36428BH	SP10763B
R160-37	R37-160	SP6070E	SP5870E	SP5870C	SP11799	SP10399B	SP10399C	NONE	NONE
R360-65	R65-360	SP6070E	SP5870F	SP5870D	SP8824B	SP10399B	SP10399C	NONE	NONE
R400-85	R85-400	SP6070E	SP8099M/K	SP5870D	SP8824B	SP10399B	SP10399C	NONE	NONE
RCD156-82	RCD82-156	SP6070E	SP10963D/K	SP10963E/K	SP11798B	SP10764B	SP10764C	AM36424BH	SP10763B
RCD156-82-1	RCD82-156-1	SP6070E	SP10962D/K	SP10962E/K	SP11798B	SP10399B	SP10399C	AM36424BH	NONE
RCD180-98	RCD98-180	SP6070E	SP10963D/K	SP10963E/K	SP11798B	SP10764B	SP10764C	AM36424DH	SP10763B
RCD180-98-1	RCD98-180-1	SP6070E	SP10962D/K	SP10962E/K	SP11798B	SP10399B	SP10399C	AM36424DH	NONE
RCD200-100-1	RCD100-200-1	SP6070K	SP10962D/K	SP10962E/K	SP8824C	SP10399B	SP10399C	AM38634H	NONE
RCD200-76	RCD76-200	SP6070E	SP10963D/K	SP10963E/K	SP11798B	SP10764B	SP10764C	AM36424DH	SP10763B
RCD200-76-1	RCD76-200-1	SP6070E	SP10962D/K	SP10962E/K	SP11798B	SP10399B	SP10399C	AM36424DH	NONE
RCD200-91	RCD91-200	SP6070E	SP10963D/K	SP10963E/K	SP11798B	SP10764B	SP10764C	AM36424CH	SP10763B
RCD200-91-1	RCD91-200-1	SP6070E	SP10962D/K	SP10962E/K	SP11798B	SP10399B	SP10399C	AM36424CH	NONE
RCD200-92-1	RCD92-200-1	SP6070E	SP10962D/K	SP10962E/K	SP11798B	SP10399B	SP10399C	AM36424BH	NONE
RCD250-100-1	RCD100-250-1	SP6070K	SP10962D/K	SP10962E/K	SP8824C	SP10399B	SP10399C	AM36632H	NONE
RCD250-76-1	RCD76-250-1	SP6070E	SP10962D/K	SP10962E/K	SP11798B	SP10399B	SP10399C	AM36425BH	NONE
RCD250-86	RCD86-250	SP6070E	SP10963D/K	SP10963E/K	SP11798B	SP10764B	SP10764C	AM36432BH	SP10763B
RCD250-86-1	RCD86-250-1	SP6070E	SP10962D/K	SP10962E/K	SP11798B	SP10399B	SP10399C	AM36432BH	NONE
RCD300-100-1	RCD100-300-1	SP6070E	SP10962D/K	SP10962E/K	SP11798B	SP10399B	SP10399C	AM36633H	NONE
RCD300-91	RCD91-300	SP6070E	SP10963D/K	SP10963E/K	SP11798B	SP10764B	SP10764C	AM36426CH	SP10763B
RCD300-91-1	RCD91-300-1	SP6070E	SP10962D/K	SP10962E/K	SP11798B	SP10399B	SP10399C	AM36426CH	NONE
RCD300-92-1	RCD92-300-1	SP6070E	SP10962D/K	SP10962E/K	SP11798B	SP10399B	SP10399C	AM36426BH	NONE
RD156-40	RD40-156	SP6070E	SP10963D/K	SP10963E/K	SP11799	SP10764B	SP10764C	AM36424DH	SP10763B



**Commercial Gas – Continued**

Rheem Model Number	Ruud Model Number	Drain Valve	Gas Valve Nat	Gas Valve LP	Thermo-stat	Pilot Nat	Pilot LP	Blower Assy	Ignition Control
RD160-37	RD37-160	SP6070E	SP10963D/K	SP10963E/K	SP11799	SP10764B	SP10764C	AM36424DH	SP10763B
RD360-65	RD65-360	SP6070E	SP10963D/K	SP10963E/K	SP11798B	SP10764B	SP10764C	AM36426BH	SP10763B
RD400-85	RD85-400	SP6070E	SP10963D/K	SP10963E/K	SP11798B	SP10764B	SP10764C	AM36427BH	SP10763B
RF200-91	RF91-200	SP6070E	SP5870E	SP5870C	SP11798B	SP10399B	SP10399C	NONE	NONE
RF250-86	RF86-250	SP6070E	SP5870F	SP5870C	SP11798B	SP10399B	SP10399C	NONE	NONE
RF300-91	RF91-300	SP6070E	SP5870F	SP5870C	SP11798B	SP10399B	SP10399C	NONE	NONE
RF98-50	RF50-98	SP6070E	SP11823D	SP12232D	NONE	SP10399B	SP10399C	NONE	NONE
RFD120-67	RFD67-120	SP6070E	SP10963B	SP10963C	SP11799	SP10764B	SP10764C	AM36431BH	SP10763B
RFD120-67-1	RFD67-120-1	SP6070E	SP10962D/K	SP10962E/K	SP11799	SP10399C	SP10399C	AM36431BH	NONE
RFD156-82	RFD82-156	SP6070E	SP10963D/K	SP10963E/K	SP11798B	SP10764B	SP10764C	AM36424BH	SP10763B
RFD156-82-1	RFD82-156-1	SP6070E	SP1096 2D/K	SP10962E/K	SP11798B	SP10399B	SP10399C	AM36424BH	NONE
RFD180-98	RFD98-180	SP6070E	SP10963D/K	SP10963E/K	SP11798B	SP10764B	SP10764C	AM36424DH	SP10763B
RFD180-98-1	RFD98-180-1	SP6070E	SP10962D/K	SP10962E/K	SP11798B	SP10399B	SP10399C	AM36424DH	NONE
RFD200-76	RFD76-200	SP6070E	SP10963D/K	SP10963E/K	SP11798B	SP10764B	SP10764C	AM36424DH	SP10763B
RFD200-76-1	RFD76-200-1	SP6070E	SP10962D/K	SP10962E/K	SP11798B	SP10399B	SP10399C	AM36424DH	NONE
RFD200-91	RFD91-200	SP6070E	SP10963D/K	SP10963E/K	SP11798B	SP10764B	SP10764C	AM36424CH	SP10763B
RFD200-91-1	RFD91-200-1	SP6070E	SP10962D/K	SP10962E/K	SP11798B	SP10399B	SP10399C	AM36424CH	NONE
RFD200-92-1	RFD92-900-1	SP6070E	SP10962D/K	SP10962E/K	SP11798B	SP10399B	SP10399C	AM36424BH	NONE
RFD250-76-1	RFD76-250-1	SP6070E	SP10962D/K	SP10962E/K	SP11798B	SP10399B	SP10399C	AM36425BH	NONE
RFD250-76A-1	RFD76A-250-1	SP6070E	SP10962D/K	SP10962E/K	AP12015-1	SP10399B	SP10399C	AM36425BH	NONE
RFD250-86	RFD86-250	SP6070E	SP10963D/K	SP10963E/K	SP10764B	SP10764B	SP10764C	AM36432BH	SP10763B
RFD250-86-1	RFD86-250-1	SP6070E	SP10962D/K	SP10962E/K	SP11798B	SP10399B	SP10399C	AM36432BH	NONE
RFD300-91	RFD91-300	SP6070E	SP10963D/K	SP10963E/K	SP11798B	SP10764B	SP10764C	AM36426CH	SP10763B
RFD300-91 -1	RFD91-300-1	SP6070E	SP10962D/K	SP10962E/K	SP11798B	SP10399B	SP10399C	AM36426CH	SP10763B
RFD300-92-1	RFD92-300-1	SP6070E	SP10962D/K	SP10962E/K	SP11798B	SP10399B	SP10399C	AM36426BH	SP10763B
RFD300-92A-1	RFD92A-300-1	SP6070E	SP10962D/K	SP10962E/K	AP12015-1	SP10399B	SP10399C	AM36426BH	SP10763B
RFD98-50	RFD50-98	SP6070E	SP10963B	SP10963C	SP11799	SP10764B	SP10764C	AM36431BH	SP10763B
RFD98-50-1	RFD50-98-1	SP6070E	SP10962D/K	SP10962E/K	SP11799	SP10399B	SP10399C	AM36431BH	SP10763B

**Light Duty Commercial Electric**

Rheem Model Number	Ruud Model Number	Non-Sim Thermo-stat Upper	Sim Thermo-stat Upper	Non-Sim Thermo-stat Lower	Sim Thermo-stat Lower	S/E 120V	S/E 208-480V	Anode	Drain Valve
ELDS30	ELDS30	SP8293	SP8294	SP8295	SP8295	SP8296	SP8294	SP11526C (24 3/8)	SP6070S
ELDS40	ELDS40	SP8293	SP8294	SP8295	SP8295	SP8296	SP8294	SP11526C (25 3/8)	SP6070S
ELD40	ELD40	SP8293	SP8294	SP8295	SP8295	SP8296	SP8294	SP11526C (39 3/8)	SP6070S
ELDS50	ELDS50	SP8293	SP8294	SP8295	SP8295	SP8296	SP8294	SP11526C (32 3/8)	SP6070S
ELD52	ELD52	SP8293	SP8294	SP8295	SP8295	SP8296	SP8294	SP11526C (50 3/8)	SP6070S
ELD66	ELD66	SP8293	SP8294	SP8295	SP8295	SP8296	SP8294	SP11526C (53 3/8)	SP6070S
ELD80	ELD80	SP8293	SP8294	SP8295	SP8295	SP8296	SP8294	SP11526C (53 3/8)	SP6070S
ELD120	ELD120	SP8293	SP8294	SP8295	SP8295	SP8296	SP8294	SP11526C (56 3/8)	SP6070S
<b>Obsolete Models</b>									
ELD40	ELDR40	SP8293	SP8294	SP8295	SP8295	SP8296	SP8294	SP11526C (39 3/8)	SP6070S
ELD52	ELDR52	SP8293	SP8294	SP8295	SP8295	SP8296	SP8294	SP11526C (50 3/8)	SP6070S
ELD80	ELDR80	SP8293	SP8294	SP8295	SP8295	SP8296	SP8294	SP11526C (53 3/8)	SP6070S
ELD120	ELDR120	SP8293	SP8294	SP8295	SP8295	SP8296	SP8294	SP11526C (56 3/8)	SP6070S
ELDS30	ELDRS30	SP8293	SP8294	SP8295	SP8295	SP8296	SP8294	SP11526C (24 3/8)	SP6070S
ELDS40	ELDRS40	SP8293	SP8294	SP8295	SP8295	SP8296	SP8294	SP11526C (25 3/8)	SP6070S
ELDS52	ELDRS52	SP8293	SP8294	SP8295	SP8295	SP8296	SP8294	SP11526C (32 3/8)	SP6070S

**EGSP – Commercial Electric**

Rheem Model Number	Ruud Model Number	Non-Sim Thermo-stat Upper	Sim Thermo-stat Upper	Non-Sim Thermo-stat Lower	Sim Thermo-stat Lower	S/E 120V	S/E 208-480V	Anode	Drain Valve
EGSP2		SP11699	SP11699	SP11695	SP11699	SP11700	SP11699	SP11309C (11 3/8)	None
EGSP6		SP11699	SP11699	SP11695	SP11699	SP11700	SP11699	SP11309C (11 3/8)	None
EGSP10		SP11699	SP11699	SP11695	SP11699	SP11700	SP11699	SP11309C (11 3/8)	None
EGSP15		SP11699	SP11699	SP11695	SP11699	SP11700	SP11699	SP11309C (11 3/8)	None
EGSP20		SP11699	SP11699	SP11695	SP11699	SP11700	SP11699	SP11309C (11 3/8)	None
EGSP30		SP11699	SP11699	SP11695	SP11699	SP11700	SP11699	SP11309C (11 3/8)	None
<b>Obsolete Models</b>									
EGSP6S	EGLSP6S	SP11699	SP11699	SP11695	SP11699	SP11700	SP11699	SP11309C (11 3/8)	None
EGSP20S	EGLSP20S	SP11699	SP11699	SP11695	SP11699	SP11700	SP11699	SP11309C (20 3/8)	None
EGSP15S	EGLSP15S	SP11699	SP11699	SP11695	SP11699	SP11700	SP11699	SP11309C (20 3/8)	None
EGSP10S	EGLSP10S	SP11699	SP11699	SP11695	SP11699	SP11700	SP11699	SP11309C (20 3/8)	None

### Heavy Duty Commercial Electric

\* Heaters manufactured after 10-95 use SP11805 - Thermostat

\*\* Heaters manufactured after 10-95 use SP11806 - High Limit

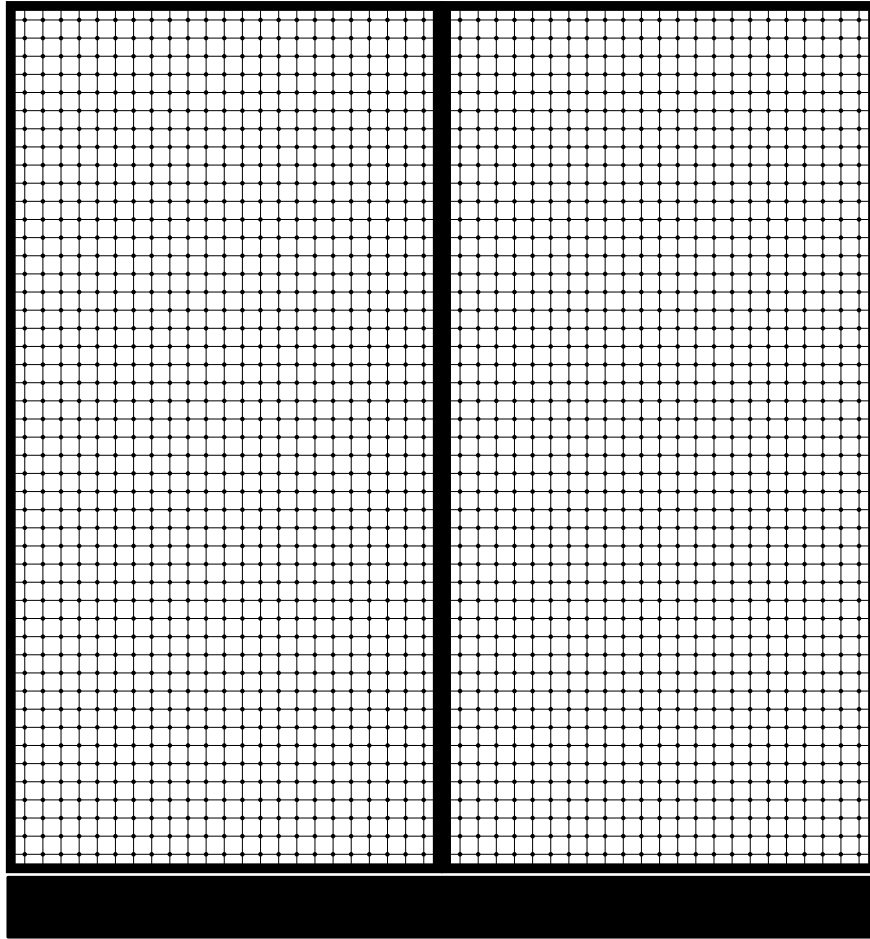
Rheem Model Number	Ruud Model Number	Drain Valve	Therm-ostat	High Limit	Trans-former	Contactor	Element Fuse	Trans-former Fuse	Relief Valve 6-27KW	Relief Valve 30-81KW
E(18-36KW)-10G		SP6070G	SP8260	SP5411	SP10006	SP7861B	SP8264M	SP8264R	SP12574	SP9013D
E(18-36KW)-120G		SP6070G	SP11805	SP11806	SP10006	SP7861B	SP8264M	SP8264R	SP12574	SP9013D
E(18-36KW)-50G		SP6070G	SP11805	SP11806	SP10006	SP7861B	SP8264M	SP8264R	SP12574	SP9013D
E(24-36KW)-85G		SP6070G	SP11805	SP11806	SP10006	SP7861B	SP8264M	SP8264R	SP12574	SP9013D
E(3-18KW)-20G		AP12231C-1	SP11805	SP11806	SP10006	SP12841	SP8264K	SP8264R	SP12575B	NONE
E(3-36KW)-30G		AP12231C-1	SP11805	SP11806	SP10006	SP12841	SP8264K	SP8264R	NONE	SP9013E
E(3-36KW)-40G		AP12231C-1	SP11805	SP11806	SP10006	SP12841	SP8264M	SP8264R	NONE	SP9013E
E(36-54KW)-10G		SP6070G	SP8260	SP5411	SP10006	SP7861B	SP8264K	SP8264R	SP12574	SP9013D
E(36-54KW)-120G		SP6070G	SP11805	SP11806	SP10006	SP7861B	SP8264K	SP8264R	SP12574	SP9013D
E(36-54KW)-50G		SP6070G	SP11805	SP11806	SP10006	SP7861B	SP8264K	SP8264R	SP12574	SP9013D
E(36-54KW)-85G		SP6070G	SP11805	SP11806	SP10006	SP7861B	SP8264K	SP8264R	SP12574	SP9013D
E(3-9KW)-12G		AP12231C-1	SP11805	SP11806	SP10006	SP12841	SP8264M	SP8264R	SP12575B	NONE
E(6-18KW)-10G		SP6070G	SP8260	SP5411	SP10006	SP7861B	SP8264M	SP8264R	SP12574	NONE
E(6-18KW)-120G		SP6070G	SP11805	SP11806	SP10006	SP7861B	SP8264M	SP8264R	SP12574	SP9013D
E(6-18KW)-50G		SP6070G	SP11805	SP11806	SP10006	SP7861B	SP8264M	SP8264R	NONE	SP12574
E(6-18KW)-85G		SP6070G	SP11805	SP11806	SP10006	SP7861B	SP8264M	SP8264R	SP12574	SP9013D
E(81KW)-120G		AP12231C-1	SP11805	SP11806	SP10006	SP12841	SP8264K	SP8264R	NONE	SP9013E
E(81KW)-85G		AP12231C-1	SP11805	SP11806	SP10006	SP12841	SP8264K	SP8264R	NONE	SP9013E
ES(18-36)KW-85G		SP6070G	SP11231	SP11234	SP10006	SP7861B	SP8264K	SP8264R	SP12574	SP9013D
ES(18-36KW)-120G		SP6070G	SP11231	SP11234	SP10006	SP7861B	SP8264K	SP8264R	SP12574	SP9013D
ES(18-36KW)-50G		SP6070G	SP11231	SP11234	SP10006	SP7861B	SP8264M	SP8264R	SP12574	SP9013D
ES(36-54KW)-120G		SP6070G	SP11231	SP11234	SP10006	SP7861B	SP8264K	SP8264R	SP12574	SP9013D
ES(36-54KW)-50G		SP6070G	SP11231	SP11234	SP10006	SP7861B	SP8264K	SP8264R	SP12574	SP9013D
ES(36-54KW)-85G		SP6070G	SP11231	SP11234	SP10006	SP7861B	SP8264K	SP8264R	SP12574	SP9013D
ES(6-18KW)-120G		SP6070G	SP11231	SP11234	SP10006	SP7861B	SP8264M	SP8264R	SP12574	NONE
ES(6-18KW)-50G		SP6070G	SP11231	SP11234	SP10006	SP7861B	SP8264M	SP8264R	SP12574	NONE
ES(6-18KW)-85G		SP6070G	SP11231	SP11234	SP10006	SP7861B	SP8264M	SP8264R	SP12574	SP9013D
<b>Obsolete Models</b>										
EG(06-18KW)-10G	EGL(06-18KW)-10G	SP6070G	SP8260	SP5411	SP10006	SP7861B	SP8264M	SP8264R	SP12574	NONE
EG(06-18KW)-10G,GN	EGL(06-18KW)-10G,GN	SP6070G	SP8260	SP5411	SP10006	SP7861B	SP8264M	SP8264R	SP12574	NONE
EG(06-18KW)-10T	EGL(06-18KW)-10T	SP6070G	SP8260	SP5411	SP10006	SP7861B	NONE	SP8264R	SP12574	NONE
EG(06-18KW)-120G	EGL(06-18KW)-120G	SP6070G	SP8260	SP5411	SP10006	SP7861B	SP8264M	SP8264R	SP12574	NONE
EG(06-18KW)-120G	EGL(06-18KW)-120G	SP6070G	SP8260	SP5411	SP10006	SP7861B	SP8264M	SP8264R	SP12574	NONE
EG(06-18KW)-120GN	EGL(06-18KW)-120GN	SP6070G	SP8260	SP5411	SP10006	SP7861B	NONE	SP8264R	SP12574	NONE
EG(06-18KW)-120GN	EGL(06-18KW)-120GN	SP6070G	SP8260	SP5411	SP10006	SP7861B	NONE	SP8264R	SP12574	NONE
EG(06-18KW)-120T	EGL(06-18KW)	SP6070G	SP8260	SP5411	SP10006	SP7861B	NONE	NONE	SP12574	NONE
EG(06-18KW)-120TN	EGL(06-18KW)	SP6070G	SP8260	SP5411	SP10006	SP7861B	NONE	NONE	SP12574	NONE
EG(06-18KW)-50G	EGL(06-18KW)-50G	SP6070G	SP8260	SP5411	SP10006	SP7861B	SP8264M	SP8264R	SP12574	NONE
EG(06-18KW)-50G	EGL(06-18KW)-50G	SP6070G	SP8260	SP5411	SP10006	SP7861B	SP8264M	SP8264R	SP12574	NONE
EG(06-18KW)-50GN	EGL(06-18KW)-50GN	SP6070G	SP8260	SP5411	SP10006	SP7861B	NONE	SP8264R	SP12574	NONE
EG(06-18KW)-50T	EGL(06-18KW)-50T	SP6070G	SP8260	SP5411	SP10006	SP7861B	NONE	NONE	SP12574	NONE
EG(06-18KW)-50TN	EGL(06-18KW)-50TN	SP6070G	SP8260	SP5411	SP10006	SP7861B	NONE	SP8264R	SP12574	NONE
EG(06-18KW)-85G	EGL(06-18KW)-85G	SP6070G	SP8260	SP5411	SP10006	SP7861B	SP8264M	SP8264R	SP12574	NONE
EG(06-18KW)-85G	EGL(06-18KW)-85G	SP6070G	SP8260	SP5411	SP10006	SP7861B	SP8264M	SP8264R	SP12574	NONE
EG(06-18KW)-85GN	EGL(06-18KW)-85GN	SP6070G	SP8260	SP5411	SP10006	SP7861B	NONE	SP8264R	SP12574	NONE
EG(06-18KW)-85GN	EGL(06-18KW)-85GN	SP6070G	SP8260	SP5411	SP10006	SP7861B	NONE	SP8264R	SP12574	NONE
EG(06-18KW)-85T	EGL(06-18KW)-85T	SP6070G	SP8260	SP5411	SP10006	SP7861B	NONE	NONE	SP12574	NONE
EG(06-18KW)-85TN	EGL(06-18KW)-85TN	SP6070G	SP8260	SP5411	SP10006	SP7861B	NONE	SP8264R	SP12574	NONE
EG(18-36KW)-10G	EGL(18-36KW)-10G	SP6070G	SP8260	SP5411	SP10006	SP7861B	SP8264K	SP8264R	SP12574	SP9013D
EG(18-36KW)-10G,GN	EGL(18-36KW)-10G,GN	SP6070G	SP8260	SP5411	SP10006	SP7861B	SP8264M	SP8264R	SP12574	SP9013D
EG(18-36KW)-10GN	EGL(18-36KW)-10GN	SP6070G	SP8260	SP5411	SP10006	SP7861B	NONE	SP8264R	SP12574	SP9013D
EG(18-36KW)-10GS	EGL(18-36KW)-10GS	SP6070G	SP8260	SP5411	SP10006	SP7861B	SP8264K	SP8264R	SP12574	SP9013D
EG(18-36KW)-10GS	EGL(18-36KW)-10GS	SP6070G	SP8260	SP5411	SP10006	SP7861B	SP8264K	SP8264R	SP12574	SP9013D
EG(18-36KW)-10GSN	EGL(18-36KW)-10GSN	SP6070G	SP8260	SP5411	SP10006	SP7861B	SP8264M	SP8264R	SP12574	SP9013D
EG(18-36KW)-10T	EGL(18-36KW)-10T	SP6070G	SP8260	SP5411	SP10006	SP7861B	NONE	NONE	SP12574	SP9013D
EG(18-36KW)-10TS	EGL(18-36KW)-10TS	SP6070G	SP8260	SP5411	SP10006	SP7861B	NONE	NONE	SP12574	SP9013D
EG(18-36KW)-120G	EGL(18-36KW)-120G	SP6070G	SP8260	SP5411	SP10006	SP7861B	SP8264M	SP8264R	SP12574	SP9013D
EG(18-36KW)-120G	EGL(18-36KW)-120G	SP6070G	SP8260	SP5411	SP10006	SP7861B	SP8264M	SP8264R	SP12574	SP9013D
EG(18-36KW)-120GN	EGL(18-36KW)-120GN	SP6070G	SP8260	SP5411	SP10006	SP7861B	NONE	SP8264R	SP12574	SP9013D
EG(18-36KW)-120GN	EGL(18-36KW)-120GN	SP6070G	SP8260	SP5411	SP10006	SP7861B	NONE	SP8264R	SP12574	SP9013D
EG(18-36KW)-120GS	EGL(18-36KW)-120GS	SP6070G	SP8260	SP5411	SP10006	SP7861B	SP8264M	SP8264R	SP12574	SP9013D
EG(18-36KW)-120GS	EGL(18-36KW)-120GS	SP6070G	SP8260	SP5411	SP10006	SP7861B	SP8264M	SP8264R	SP12574	SP9013D
EG(18-36KW)-120GSN	EGL(18-36KW)-120GSN	SP6070G	SP8260	SP5411	SP10006	SP7861B	NONE	SP8264R	SP12574	SP9013D
EG(18-36KW)-120GSN	EGL(18-36KW)-120GSN	SP6070G	SP8260	SP5411	SP10006	SP7861B	NONE	SP8264R	SP12574	SP9013D
EG(18-36KW)-120T	EGL(18-36KW)-120T	SP6070G	SP8260	SP5411	SP10006	SP7861B	SP8892C	SP8892E	SP12574	SP9013D
EG(18-36KW)-120TS	EGL(18-36KW)-120TS	SP6070G	SP8260	SP5411	SP10006	SP7861B	SP8892C	SP8892E	SP12574	SP9013D
EG(18-36KW)-50G	EGL(18-36KW)-50G	SP6070G	SP8260	SP5411	SP10006	SP7861B	SP8264M	SP8264R	SP12574	SP9013D
EG(18-36KW)-50G	EGL(18-36KW)-50G	SP6070G	SP8260	SP5411	SP10006	SP7861B	SP8264M	SP8264R	SP12574	SP9013D
EG(18-36KW)-50GN	EGL(18-36KW)-50GN	SP6070G	SP8260	SP5411	SP10006	SP7861B	NONE	SP8264R	SP12574	SP9013D
EG(18-36KW)-50GN	EGL(18-36KW)-50GN	SP6070G	SP8260	SP5411	SP10006	SP7861B	NONE	SP8264R	SP12574	SP9013D
EG(18-36KW)-50GS	EGL(18-36KW)-50GS	SP6070G	SP8260	SP5411	SP10006	SP7861B	SP8264K	SP8264R	SP12574	SP9013D



### Heavy Duty Commercial Electric – Continued

Rheem Model Number	Ruud Model Number	Drain Valve	Therm-ostat	High Limit	Trans-former	Contactor	Element Fuse	Trans-former Fuse	Relief Valve 6-27KW	Relief Valve 30-81KW
EG(18-36KW)-50GS	EGL(18-36KW)-50GS	SP6070G	SP8260	SP5411	SP10006	SP7861B	SP8264K	SP8264R	SP12574	SP9013D
EG(18-36KW)-50GSN	EGL(18-36KW)-50GSN	SP6070G	SP8260	SP5411	SP10006	SP7861B	NONE	SP8264R	SP12574	SP9013D
EG(18-36KW)-50GSN	EGL(18-36KW)-50GSN	SP6070G	SP8260	SP5411	SP10006	SP7861B	NONE	SP8264R	SP12574	SP9013D
EG(18-36KW)-50T	EGL(18-36KW)-50T	SP6070G	SP8260	SP5411	SP10006	SP7861B	SP8892C	SP8892E	SP12574	SP9013D
EG(18-36KW)-50TS	EGL(18-36KW)-50TS	SP6070G	SP8260	SP5411	SP10006	SP7861B	SP8892C	SP8892E	SP12574	SP9013D
EG(18-36KW)-85G	EGL(18-36KW)-85G	SP6070G	SP8260	SP5411	SP10006	SP7861B	SP8264M	SP8264R	SP12574	SP9013D
EG(18-36KW)-85G	EGL(18-36KW)-85G	SP6070G	SP8260	SP5411	SP10006	SP7861B	SP8264M	SP8264R	SP12574	SP9013D
EG(18-36KW)-85GS	EGL(18-36KW)-85GS	SP6070G	SP8260	SP5411	SP10006	SP7861B	SP8264M	SP8264R	SP12574	SP9013D
EG(18-36KW)-85GS	EGL(18-36KW)-85GS	SP6070G	SP8260	SP5411	SP10006	SP7861B	SP8264M	SP8264R	SP12574	SP9013D
EG(18-36KW)-85GSN	EGL(18-36KW)-85GSN	SP6070G	SP8260	SP5411	SP10006	SP7861B	NONE	SP8264R	SP12574	SP9013D
EG(18-36KW)-85GSN	EGL(18-36KW)-85GSN	SP6070G	SP8260	SP5411	SP10006	SP7861B	NONE	SP8264R	SP12574	SP9013D
EG(18-36KW)-85T	EGL(18-36KW)-85T	SP6070G	SP8260	SP5411	SP10006	SP7861B	SP8892E	SP8892C	SP12574	SP9013D
EG(18-36KW)-85TS	EGL(18-36KW)-85TS	SP6070G	SP8260	SP5411	SP10006	SP7861B	SP8892C	SP8264R	SP12574	SP9013D
EG(24-36KW)-10GSN	EGL(24-36KW)-10GSN	SP6070G	SP8260	SP5411	SP10006	SP7861B	NONE	SP8264R	SP12574	SP9013D
EG(24-36KW)-10TSN	EGL(24-36KW)-10TSN	SP6070G	SP8260	SP5411	SP10006	SP8266K	NONE	SP8264R	SP12574	SP9013D
EG(24-36KW)-120TN	EGL(24-36KW)-120TN	SP6070G	SP8260	SP5411	SP10006	SP7861B	NONE	SP8264R	SP12574	SP9013D
EG(24-36KW)-120TSN	EGL(24-36KW)-120TSN	SP6070G	SP8260	SP5411	SP10006	SP7861B	NONE	SP8264R	SP12574	SP9013D
EG(24-36KW)-50TN	EGL(24-36KW)-50TN	SP6070G	SP8260	SP5411	SP10006	SP7861B	NONE	SP8264R	SP12574	SP9013D
EG(24-36KW)-50TSN	EGL(24-36KW)-50TSN	SP6070G	SP8260	SP5411	SP10006	SP7861B	NONE	SP8264R	SP12574	SP9013D
EG(24-36KW)-85TN	EGL(24-36KW)-85TN	SP6070G	SP8260	SP5411	SP10006	SP7861B	NONE	SP8264R	SP12574	SP9013D
EG(24-36KW)-85TSN	EGL(24-36KW)-85TSN	SP6070G	SP8260	SP5411	SP10006	SP7861B	NONE	SP8264R	SP12574	SP9013D
EG(36-54KW)-10G	EGL(36-54KW)-10G	SP6070G	SP8260	SP5411	SP10006	SP7861B	SP8264K	SP8264R	NONE	SP9013D
EG(36-54KW)-10G	EGL(36-54KW)-10G	SP6070G	SP8260	SP5411	SP10006	SP7861B	SP8264K	SP8264R	NONE	SP9013D
EG(36-54KW)-10GS	EGL(36-54KW)-10GS	SP6070G	SP8260	SP5411	SP10006	SP7861B	SP8264K	SP8264R	NONE	SP9013D
EG(36-54KW)-10GS	EGL(36-54KW)-10GS	SP6070G	SP8260	SP5411	SP10006	SP7861B	SP8264K	SP8264R	NONE	SP9013D
EG(36-54KW)-120G	EGL(36-54KW)-120G	SP6070G	SP8260	SP5411	SP10006	SP7861B	SP8264K	SP8264R	NONE	SP9013D
EG(36-54KW)-120G	EGL(36-54KW)-120G	SP6070G	SP8260	SP5411	SP10006	SP7861B	SP8264K	SP8264R	NONE	SP9013D
EG(36-54KW)-120GS	EGL(36-54KW)-120GS	SP6070G	SP8260	SP5411	SP10006	SP7861B	SP8264K	SP8264R	NONE	SP9013D
EG(36-54KW)-120GS	EGL(36-54KW)-120GS	SP6070G	SP8260	SP5411	SP10006	SP7861B	SP8264K	SP8264R	NONE	SP9013D
EG(36-54KW)-50G	EGL(36-54KW)-50G	SP6070G	SP8260	SP5411	SP10006	SP7861B	SP8264K	SP8264R	NONE	SP9013D
EG(36-54KW)-50G	EGL(36-54KW)-50G	SP6070G	SP8260	SP5411	SP10006	SP7861B	SP8264K	SP8264R	NONE	SP9013D
EG(36-54KW)-50GS	EGL(36-54KW)-50GS	SP6070G	SP8260	SP5411	SP10006	SP7861B	SP8264K	SP8264R	NONE	SP9013D
EG(36-54KW)-85G	EGL(36-54KW)-85G	SP6070G	SP8260	SP5411	SP10006	SP7861B	SP8264K	SP8264R	NONE	SP9013D
EG(36-54KW)-85G	EGL(36-54KW)-85G	SP6070G	SP8260	SP5411	SP10006	SP7861B	SP8264K	SP8264R	NONE	SP9013D
EG(36-54KW)-85GS	EGL(36-54KW)-85GS	SP6070G	SP8260	SP5411	SP10006	SP7861B	SP8264K	SP8264R	NONE	SP9013D
EG(36-54KW)-85GS	EGL(36-54KW)-85GS	SP6070G	SP8260	SP5411	SP10006	SP7861B	SP8264K	SP8264R	NONE	SP9013D
EG(45-54KW)-IOT	EGL(45-54KW)-IOT	SP6070G	SP8260	SP5411	SP10006	SP7861B	SP8892C	SP8892E	NONE	SP9013D
EG(45-54KW)-10TS	EGL(45-54KW)-10TS	SP6070G	SP8260	SP5411	SP10006	SP8266K	SP8892C	SP8892E	NONE	SP9013D
EG(45-54KW)-120T	EGL(45-54KW)-120T	SP6070G	SP8260	SP5411	SP10006	SP7861B	SP8892C	SP8892E	NONE	SP9013D
EG(45-54KW)-120TS	EGL(45-54KW)-120TS	SP6070G	SP8260	SP5411	SP10006	SP7861B	SP8892C	SP8892E	NONE	SP9013D
EG(45-54KW)-50T	EGL(45-54KW)-50T	SP6070G	SP8260	SP5411	SP10006	SP7861B	SP8892C	SP8892E	NONE	SP9013D
EG(45-54KW)-50TS	EGL(45-54KW)-50TS	SP6070G	SP8260	SP5411	SP10006	SP7861B	SP8892C	SP8892E	NONE	SP9013D
EG(45-54KW)-85T	EGL(45-54KW)-85T	SP6070G	SP8260	SP5411	SP10006	SP7861B	SP8892C	SP8892E	NONE	SP9013D
EG(45-54KW)-85TS	EGL(45-54KW)-85TS	SP6070G	SP8260	SP5411	SP10006	SP7861B	SP8892C	SP8892E	NONE	SP9013D
EG(36-54KW)-50GS	EGL(36-54KW)-50GS	SP6070G	SP8260	SP5411	SP10006	SP7861B	SP8264K	SP8264R	NONE	SP9013D
EGS(06-18KW)-120G	EGLS(06-18KW)-120G	SP6070G	SP11231	NONE	NONE	NONE	SP8264M	NONE	SP12574	NONE
EGS(06-18KW)-120G	EGLS(06-18KW)-120G	SP6070G	SP11231	NONE	NONE	NONE	SP8264M	SP8264R	SP12574	NONE
EGS(06-18KW)-120T	EGLS(06-18KW)-120T	SP6070G	SP11231	NONE	SP10006	SP7861B	SP8892C	SP8892E	SP12574	NONE
EGS(06-18KW)-50G	EGLS(06-18KW)-50G	SP6070G	SP11231	NONE	NONE	NONE	SP8264M	SP8264R	SP12574	NONE
EGS(06-18KW)-50G	EGLS(06-18KW)-50G	SP6070G	SP11234	NONE	SP10006	SP7861B	SP8264M	SP8264R	SP12574	NONE
EGS(06-18KW)-50T	EGLS(06-18KW)-50T	SP6070G	SP11234	NONE	SP10006	SP7861B	SP8892C	SP8892E	SP12574	NONE
EGS(16-18KW)-85G	EGLS(16-18KW)-85G	SP6070G	SP11231	NONE	NONE	NONE	SP8264M	SP8264R	SP12574	NONE
EGS(06-18KW)-85G	EGLS(06-18KW)-85G	SP6070G	SP11231	NONE	SP10006	SP7861B	SP8264M	SP8264R	SP12574	NONE
EGS(06-18KW)-85T	EGLS(06-18KW)-85T	SP6070G	SP11231	NONE	SP10006	SP7861B	SP8892C	SP8892E	SP12574	NONE
EGS(18-36KW)-120G	EGLS(18-36KW)-120G	SP6070G	SP11231	NONE	NONE	NONE	SP8264K	SP8264R	SP12574	SP9013D
EGS(18-36KW)-120G	EGLS(18-36KW)-120G	SP6070G	SP11231	NONE	SP10006	SP7861B	SP8264K	SP8264R	SP12574	SP9013D
EGS(18-36KW)-120T	EGLS(18-36KW)-120T	SP6070G	SP11231	NONE	SP10006	SP7861B	SP8892C	SP8892E	SP12574	SP9013D
EGS(18-36KW)-50G	EGLS(18-36KW)-50G	SP6070G	SP11231	NONE	NONE	NONE	SP8264M	SP8264R	SP12574	SP9013D
EGS(18-36KW)-50G	EGLS(18-36KW)-50G	SP6070G	SP11234	NONE	SP10006	SP7861B	SP8264M	SP8264R	SP12574	SP9013D
EGS(18-36KW)-50T	EGLS(18-36KW)-50T	SP6070G	SP11234	NONE	SP10006	SP7861B	SP8892C	SP8892E	SP12574	SP9013D
EGS(18-36KW)-85G	EGLS(18-36KW)-85G	SP6070G	SP11231	NONE	NONE	NONE	SP8264M	SP8264R	SP12574	SP9013D
EGS(L 8-36KW)-85G	EGLS(L 8-36KW)-85G	SP6070G	SP11231	NONE	SP10006	SP7861B	SP8264M	SP8264R	SP12574	SP9013D
EGS(18-36KW)-85T	EGLS(18-36KW)-85T	SP6070G	SP11231	NONE	SP10006	SP7861B	SP8892C	SP8892E	SP12574	SP9013D
EGS(36-54KW)-120G	EGLS(36-54KW)-120G	SP6070G	SP11231	NONE	NONE	NONE	SP8264K	SP8264R	NONE	SP9013D
EGS(36-54KW)-120G	EGLS(36-54KW)-120G	SP6070G	SP11231	NONE	SP10006	SP7861B	SP8264K	SP8264R	NONE	SP9013D
EGS(36-54KW)-50G	EGLS(36-54KW)-50G	SP6070G	SP11234	NONE	SP10006	SP7861B	SP8264M	SP8264R	NONE	SP9013D
EGS(36-54KW)-85G	EGLS(36-54KW)-85G	SP6070G	SP11231	NONE	SP10006	SP7861B	SP8264M	SP8264R	NONE	SP9013D
EGS(36-54KW)-85G	EGLS(36-54KW)-85G	SP6070G	SP11231	NONE	NONE	NONE	SP8264M	SP8264R	NONE	SP9013D
EGS(45-54KW)-120T	EGLS(45-54KW)-120T	SP6070G	SP11231	NONE	SP10006	SP7861B	SP8892C	SP8264R	NONE	SP9013D
EGS(45-54KW)-50T	EGLS(45-54KW)-50T	SP6070G	SP11234	NONE	SP10006	SP7861B	SP8264M	SP8264R	NONE	SP9013D
EGS(45-54KW)-85T	EGLS(45-54KW)-85T	SP6070G	SP11231	NONE	SP10006	SP7861B	SP8892C	SP8264R	NONE	SP9013D

# 4' x 4' PARTS DISPLAY FOR GAS AND ELECTRIC MARKET



AP13266 Display unit (Empty).....\$183.40

**Preferred Gas and Electric Parts**

SP13266 (with parts shown below)	.....\$1,310.90
SP6571B Relief Valve	.....3 each
SP12039 Melet Drain Valve	.....3 each
SP20009 Basic Install Kit 12"	.....3 each
SP20011 Installation Kit Electric	.....3 each
SP11695 Lower Electric T'stat	.....3 each
SP11698 Upper Electric T'stat	.....3 each
SP10552ML 4500W 240V LWD Resistor	.....3 each
SP11699 Single Element Thermostat	.....3 each
SP10552KH 3500W 240V High Watt	.....3 each
SP35871AB Element wrench	.....3 each
SP10374 Compression Fitting 3/4"	.....3 each
SP10354 Compression Fitting 1/2"	.....3 each
SP20003 Heat Trap Nipple Kit	.....3 each
SP10552PL 5500W 240V Low Watt	.....3 each
SP10972 Hot surface Ignitor	.....3 each
SP6379R Thermocouple 24"	.....3 each
SP6379K Thermocouple 17"	.....3 each
SP8379G Plastic Lined Nipple 2 1/4"	.....3 each
SP8346 Relief Valve Long Shank	.....3 each
SP8980B Gas Pilot (Natural)	.....3 each
SP8980C Gas Pilot (LP)	.....3 each
SP8555B Gas Thermostat-Natural	.....3 each
SP12258B Gas Thermostat-LP	.....3 each
SP10552MH 4500W 240V HWD Resistor	.....3 each
SP10869MM 4500W 240V SS Resistor	.....3 each
SP20010 Installation Kit-Gas	.....3 each
SP20060 Plumbers Pack	.....3 each
SP6830 Adapt-o-Flange	.....3 each

**Universal Gas and Electric Parts**

UV13266 (with parts shown below)	.....\$1,072.55
UV12899 4500W 240V HWD Non-resistor	.....3 each
UV12901 4500W 240V LWD Non-resistor	.....3 each
UV12904 4500W 240V SS Non-Resistor	.....3 each
UV20016 Installation Kit-Gas	.....3 each
UV20010 Basic Installation Kit 15"	.....3 each
UV13359 Upper Electric T'stat	.....3 each
UV13360 Lower Electric T'stat	.....3 each
UV20015 Installation Kit 12" Gas	.....3 each
UV12039 Melet Drain Valve	.....3 each
UV12927 Stainless Steel Water Conn 12"	.....3 each
UV6830 Adapt-o-Flange	.....3 each
UV8555B Gas Thermostat-Natural	.....3 each
UV6379L Thermocouple Kit 18"	.....3 each
UV6379H Thermocouple Kit30"	.....3 each
UV6379R Thermocouple Kit 24"	.....3 each
UV6379S Thermocouple Kit36"	.....3 each
UV10351 Copper Flex Water Conn 12"	.....3 each
UV20014 Installation Kit 18" Electric	.....3 each
UV6371B Relief Valve	.....3 each
UV12992 Heat Trap Nipple Kit	.....3 each
UV20018 Plumbers Pack	.....3 each
UV38628 Element Wrench	.....3 each
UV12914 Gasket Kit	.....3 each
UV12258B Gas Thermostat-LP	.....3 each
UV10374 3/4" Compression Fitting	.....3 each
UV10354 1/2" Compression Fitting	.....3 each

# 4' x 4' PLANOGRAM FOR GAS PREDOMINANT MARKET

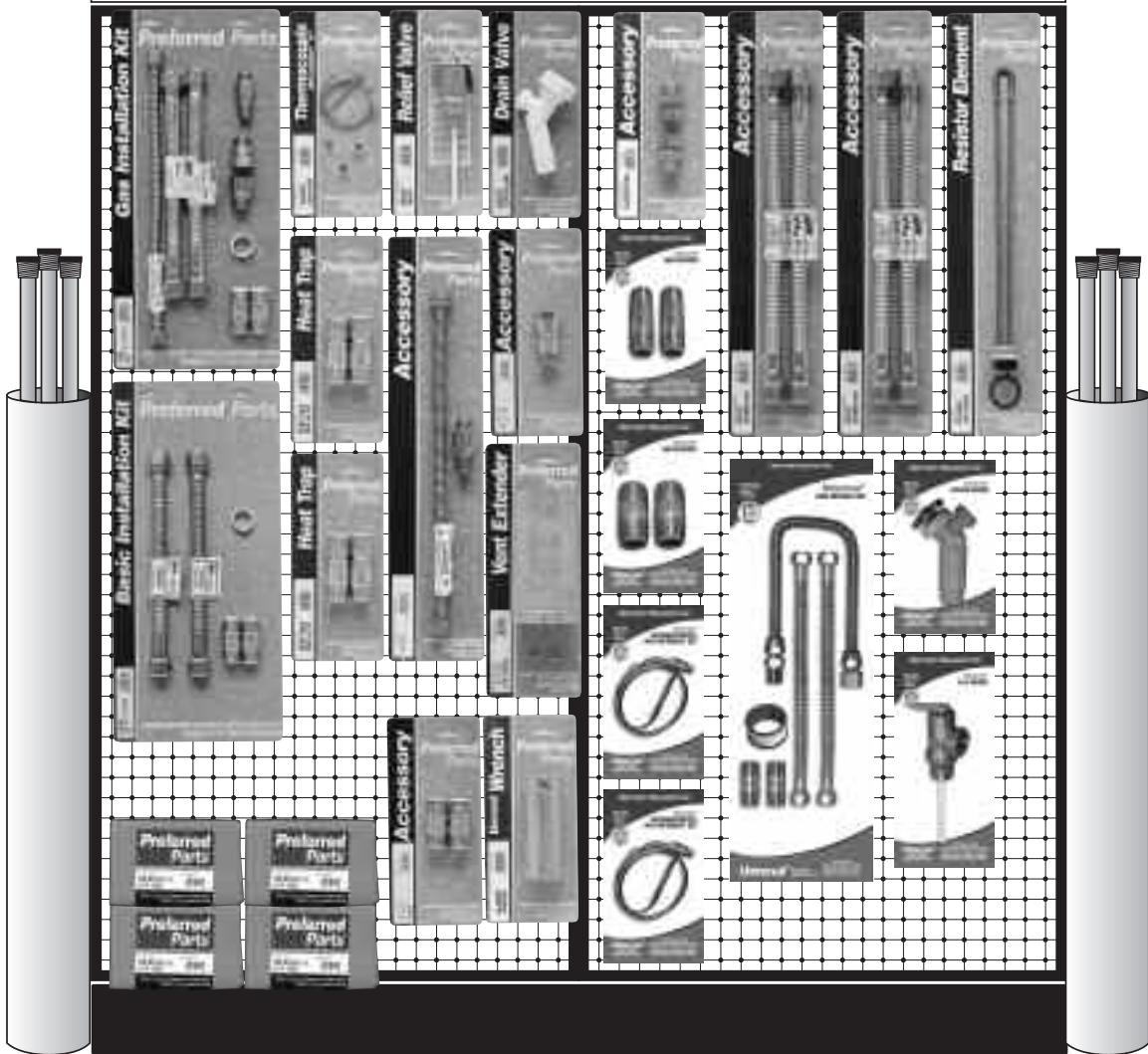


water heater

## parts central

**Preferred Parts™**  
The premium line of approved  
replacement parts.

**Universal Parts™**  
The value line for all your  
replacement parts needs.



To place your order call 1-800-621-5622; fax 1-800-535-9538

# 4' x 4' PLANOGRAM FOR ELECTRIC PREDOMINANT MARKET

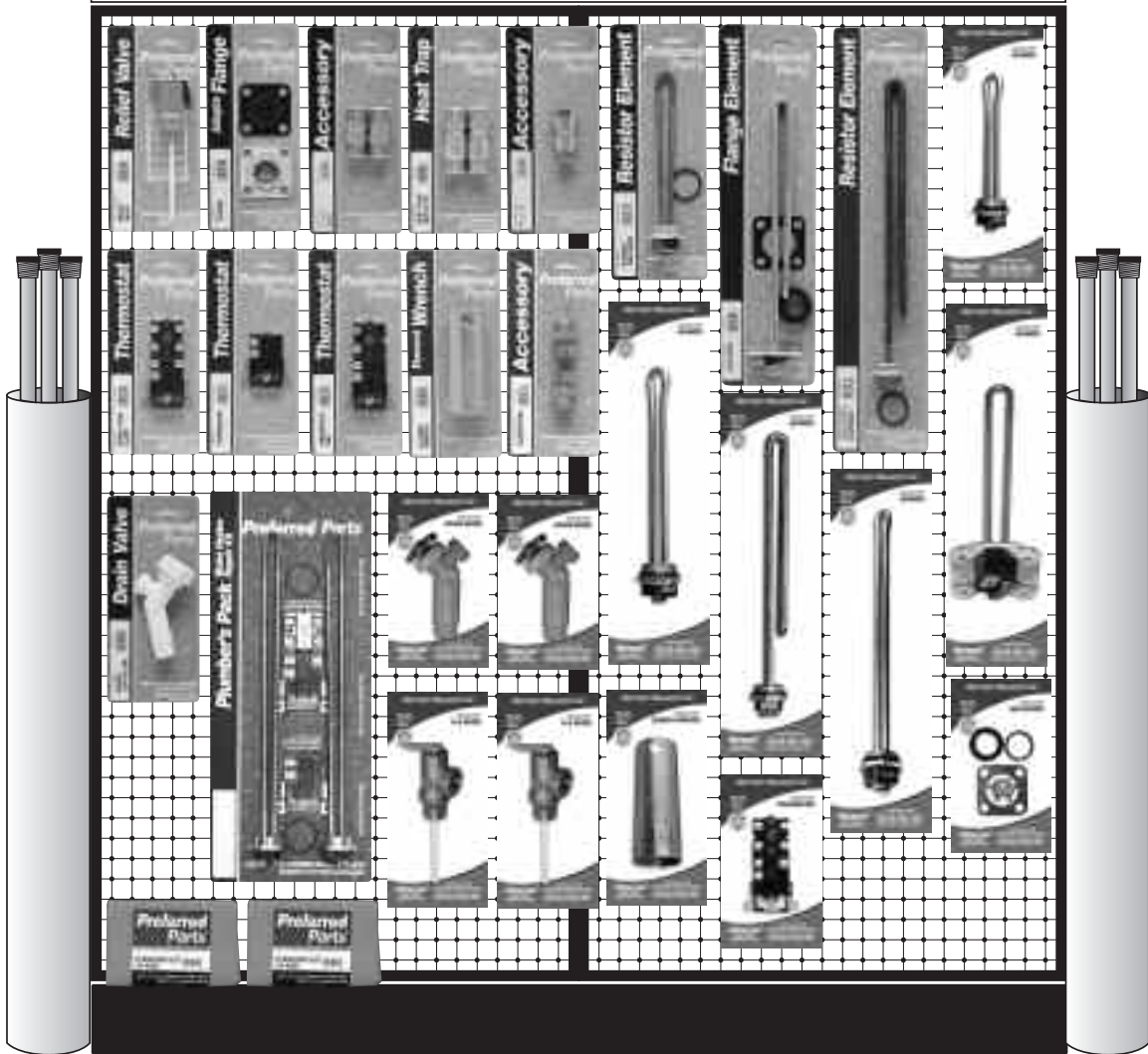


water heater

# parts central

**Preferred Parts™**  
*The premium line of approved  
replacement parts.*

**Universal Parts™**  
*The value line for all your  
replacement parts needs.*



To place your order call 1-800-621-5622; fax 1-800-535-9538

# 4' x 4' PLANOGRAM FOR GAS & ELECTRIC MARKET



water heater

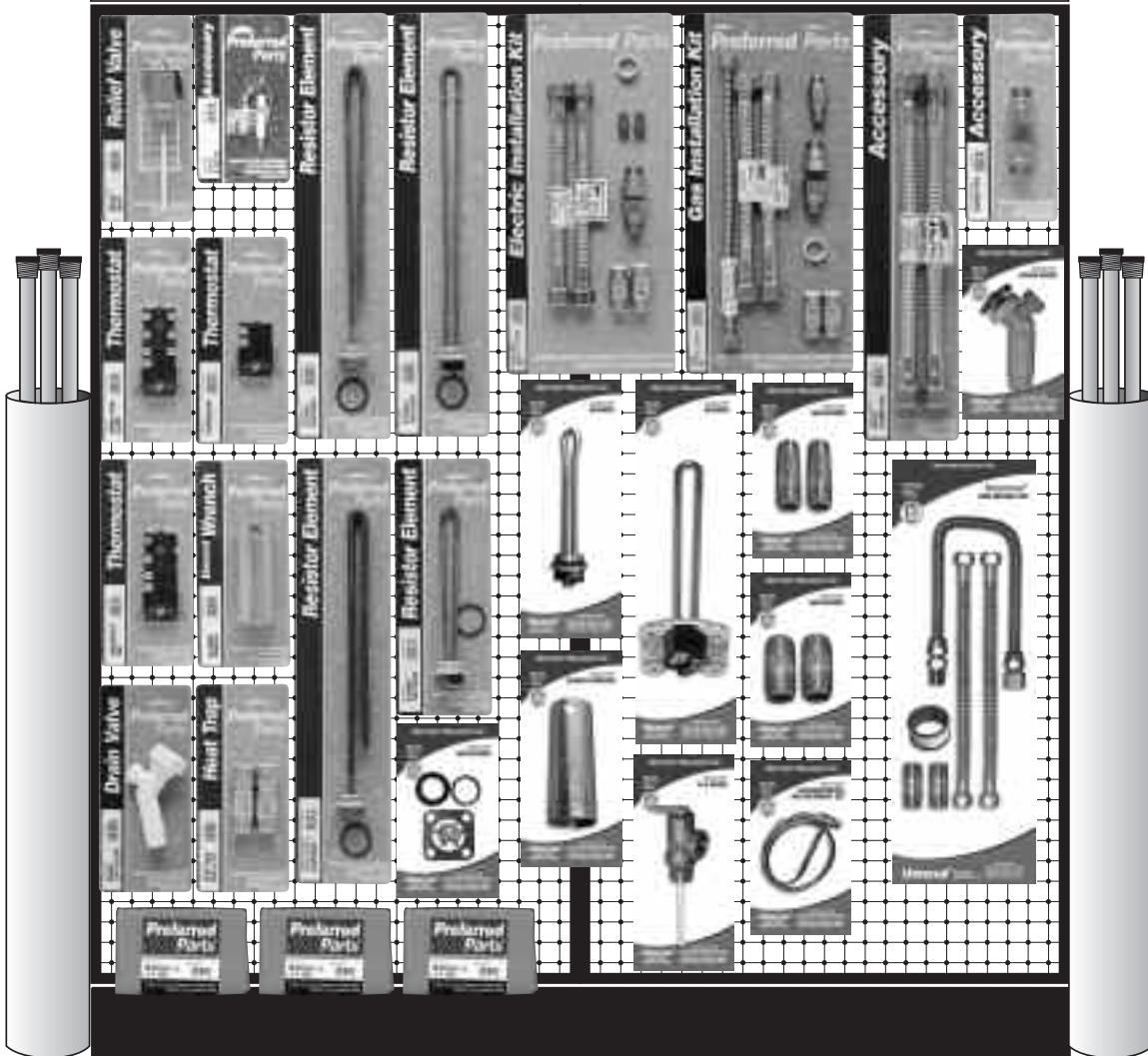
## parts central

### Preferred Parts™

The premium line of approved  
replacement parts.

### Universal Parts

The value line for all your  
replacement parts needs.



To place your order call 1-800-621-5622; fax 1-800-535-9538



## Rheem National Customer Service

---

Division Office .....334-260-1500

Parts, Customer Service, Warranty .....1-800-621-5622

Fax.....1-800-535-9538

Email.....parts@rheem.com

Technical Service .....1-800-HEATER3  
(1-800-432-8373)

Email .....techserv@rheem.com

Website .....www.rheem.com

---



*In keeping with its policy of continuous progress and product improvement, Rheem reserves the right to make changes without notice.*

**National Parts service center**  
from Rheem



*relax*  
It's Rheem®

Rheem Sales Company  
4744 Island Ford Road  
Randleman, NC 27317  
www.rheem.com

01/08 PPC-101 Rev. 3