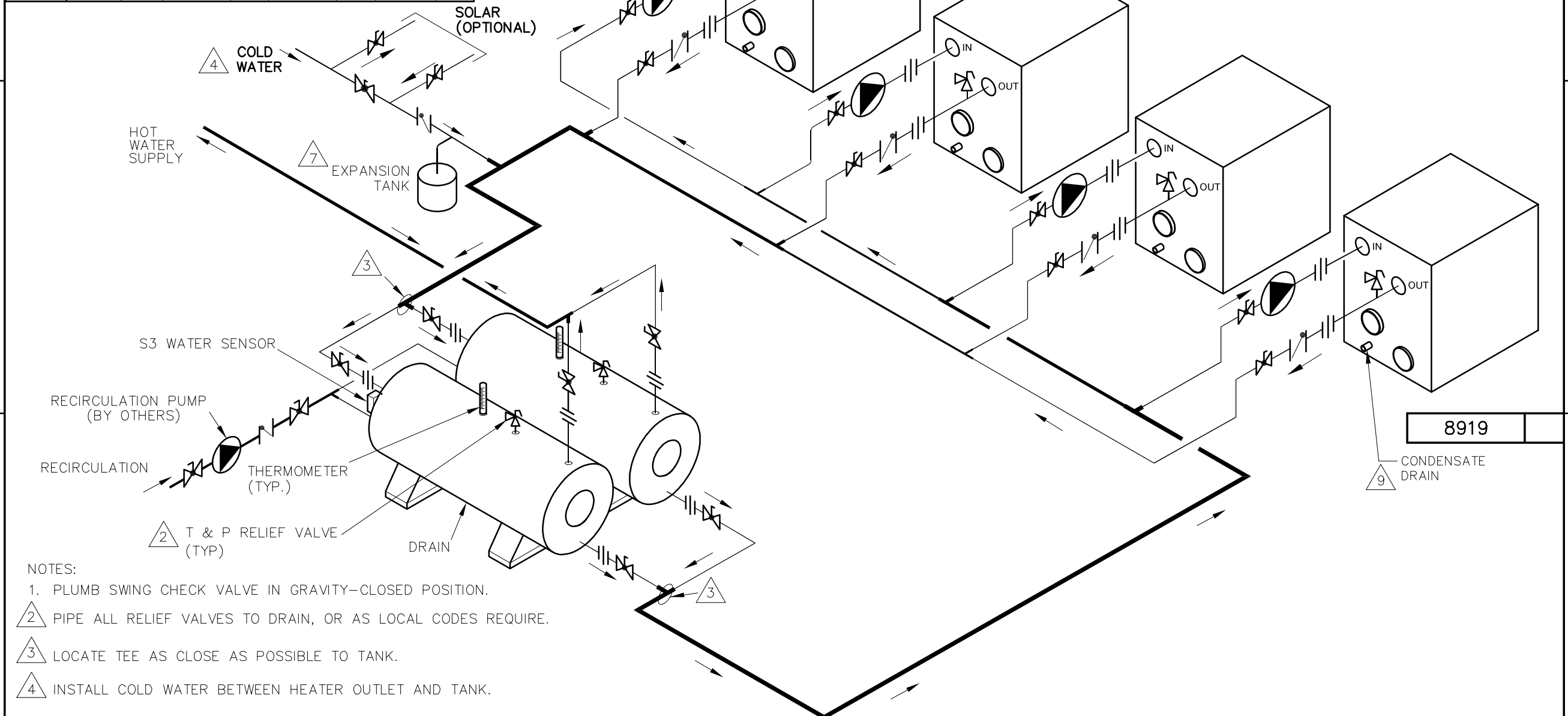


XFIIRE PIPE SIZES								
	1 UNIT PORT	MAX FLOW	2 UNITS	MAX FLOW	3 UNITS	MAX FLOW	4 UNITS	MAX FLOW
300B	2	38	2	76	2-1/2	114	3	152
400B	2	50	2-1/2	100	3	150	4	200
500B	2	62	2-1/2	124	3	186	4	248
650B	2	80	3	160	4	240	5	320
800B	2	90	4	180	4	270	5	360
1000B	2-1/2	90	4	180	4	270	5	360


REVISIONS						
REV	ZONE	DESCRIPTION	E.O.	BY	DATE	CHECK
0		INITIAL RELEASE, SUPERSEDES 8825		DCF	3/9/20	



- NOTES:
1. PLUMB SWING CHECK VALVE IN GRAVITY-CLOSED POSITION.
  2. PIPE ALL RELIEF VALVES TO DRAIN, OR AS LOCAL CODES REQUIRE.
  3. LOCATE TEE AS CLOSE AS POSSIBLE TO TANK.
  4. INSTALL COLD WATER BETWEEN HEATER OUTLET AND TANK.
  5. SEE CHART "PIPE SIZES" FOR PIPE SIZES, CALCULATED AT MAXIMUM FLOW, NOT TO EXCEED 7.5 FT/SEC.
  6. PUMP SIZING BASED ON MAX EQUIVALENT LENGTH OF 75 FT OF PIPING BETWEEN TANK AND HEATER. IF DISTANCE IS GREATER, THE PUMP MUST BE SIZED TO ACCOMMODATE INCREASE IN PIPING-RELATED LOSSES.
  7. PROVIDE FOR THERMAL EXPANSION OF HOT WATER IF A BACKFLOW PREVENTER, CHECK VALVE, WATER METER OR PRESSURE-REDUCING VALVE IS INSTALLED IN THE COLD WATER LINE.
  8. IF HOT WATER SETPOINT EXCEEDS 150°F WITH MAX FLOW, SPECIFY TYPE "H" - HIGH TEMPERATURE POTABLE MODEL INSTEAD OF "WH" WATER HEATERS.
  9. CONDENSATE MUST BE PIPED TO AN APPROVED DRAIN. LOCAL CODE MAY REQUIRE PH TREATMENT PRIOR TO DRAIN.

THIS PIPING DIAGRAM IS RAYPAK'S RECOMMENDATION AND IS NOT INTENDED TO REPLACE AN ENGINEERED PIPING SYSTEM DESIGNED BY A PROFESSIONAL ENGINEER.

GUARANTEED 60% DRAW WITHOUT TEMPERATURE DROP, USE RAYPAK HEATER, TANK, SIZING TABLE AND HOOK-UP DATA

ACAD: 8919.DWG	UNLESS OTHERWISE SPECIFIED: ALL UNITS ARE IN INCHES FRACTIONS ±1/32 ANGLES ±1° X = ±.12 X.X = ±.06 X.XX = ±.03 X.XXX = ±.010 DRAFT WALL RADII CONCENTRICITIES .020 DIA. SQUARENESS .015 IN./IN. BREAK EDGES .015 MAX. SURFACE FINISH PER ASME Y14.36M-1996	APPROVED	DATE	 OXNARD, CALIFORNIA
	CHECKED	DATE	E.O.	
		D FERGUSON	3/9/2020	SPR NONE
HEATER SHOWN REPRESENTS VARIOUS MODELS. BECAUSE INDIVIDUAL MODELS WILL VARY IN DESIGN AND SIZING, SEE EACH SPECIFIC HEATER TYPE FOR DETAILS.		RAYPAK PROPRIETARY AND CONFIDENTIAL INFORMATION This drawing contains Confidential and Proprietary Information of Raypak, Inc. All rights reserved by Raypak, Inc.		
TITLE: PIPING, UNI-TEMP 60: 4 XFIIRE, 2 H TANKS				
MAT'L.	SERIES/MODEL	SIZE	DWG. NO.	REV
	WH	C	8919	