

PUMP DATA	
FACTORY	FIELD
MODEL :	
H.P. :	
AMPS. :	

NOTES: * USE GROUND CONNECTION PROVIDED. FAILURE TO PROVIDE PROPER GROUND MAY RESULT IN LOCK-OUT. ALL GROUND \perp TERMINATE AT SPG .

** PUMP USED MUST BE RATED 10 AMPS MAX OR 3/4 HP MAX. PUMP DELAY ADJUSTABLE BETWEEN 3 AND 10 MINUTES.

*** FOR TWO STAGE OPERATION OR MULTIPLE BOILER SYSTEM, SEE INSTALLATION AND OPERATING INSTRUCTION MANUAL.

\triangle - \triangle CONNECTIONS FOR OPTIONAL E-4 ALARM PANEL.

CHECK CONTROLS PROVIDED (WIRED AS SHOWN) REPLACE WIRING WITH 105°C WIRE ONLY

CHECKED BY:
APPROVED BY:
ORIG E.O. 1781 02/17/84
CHG E.O. 5223 4/23/14

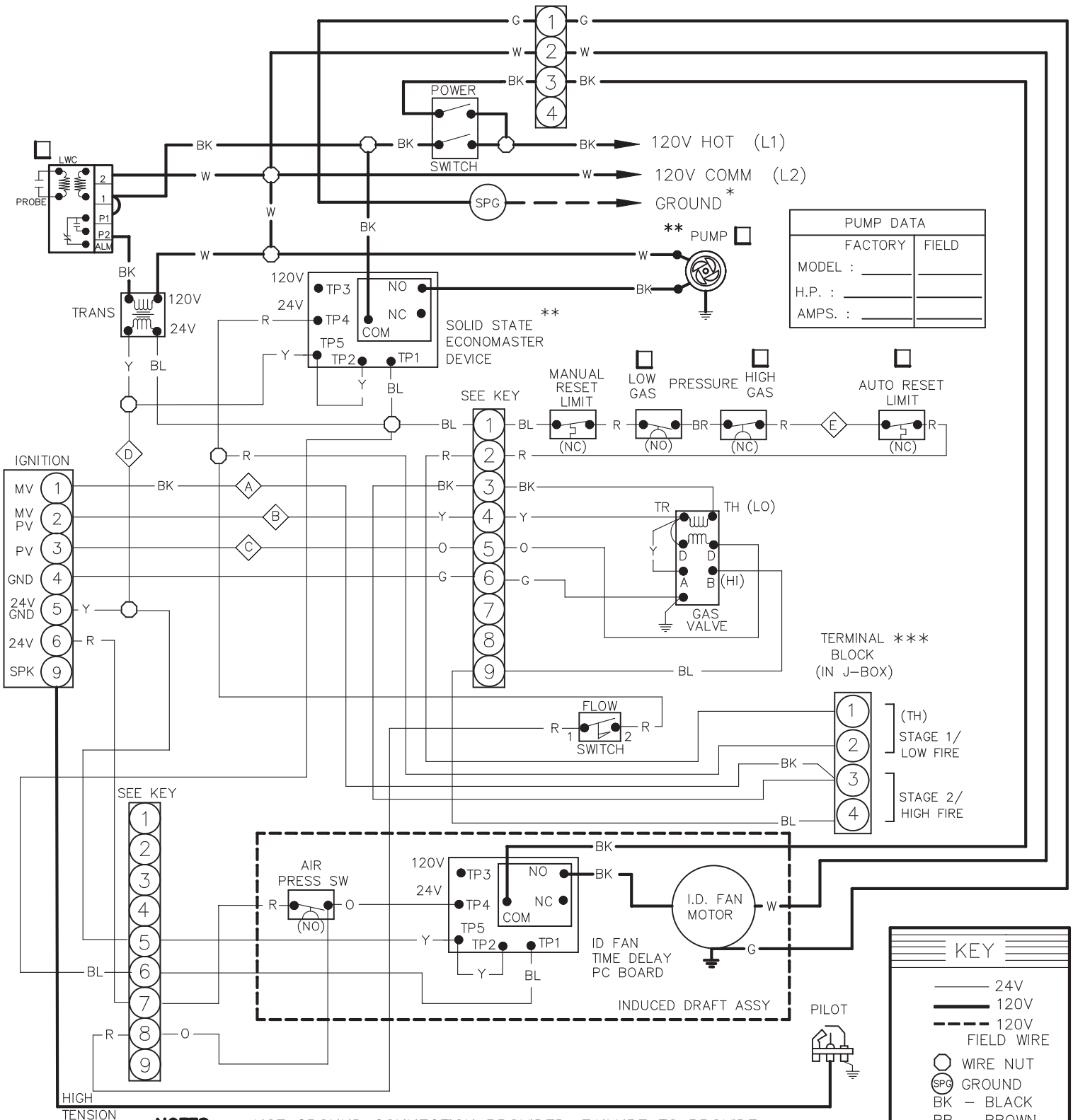
WIRING DIAGRAM IID ECONOMASTER FIRING MODE - 2 STAGE

BOILER INPUTS: 512,000 THRU 627,000 BTUH

BOILER SIZE: 514/624 BOILER TYPE: H3/W3/WH3

KEY										
	24V									
	120V									
	120V FIELD WIRE									
	WIRE NUT									
	GROUND									
BK	BLACK									
BR	BROWN									
R	RED									
O	ORANGE									
Y	YELLOW									
G	GREEN									
BL	BLUE									
V	VIOLET									
W	WHITE									
PLUG (ACTUAL)										
<table border="1"> <tr> <td>3</td> <td>2</td> <td>1</td> </tr> <tr> <td>6</td> <td>5</td> <td>4</td> </tr> <tr> <td>9</td> <td>8</td> <td>7</td> </tr> </table>		3	2	1	6	5	4	9	8	7
3	2	1								
6	5	4								
9	8	7								
FRONT VIEW										





PUMP DATA	
FACTORY	FIELD
MODEL :	
H.P. :	
AMPS. :	

TERMINAL ***
BLOCK
(IN J-BOX)

KEY		
	24V	
	120V	
	120V	FIELD WIRE
	WIRE NUT	
	GROUND	
BK	BLACK	
BR	BROWN	
R	RED	
O	ORANGE	
Y	YELLOW	
G	GREEN	
BL	BLUE	
V	VIOLET	
W	WHITE	
PLUG (ACTUAL)		
3	2	1
6	5	4
9	8	7
FRONT VIEW		

NOTES: * USE GROUND CONNECTION PROVIDED. FAILURE TO PROVIDE PROPER GROUND MAY RESULT IN LOCK-OUT. ALL GROUND \perp TERMINATE AT SPG.

** PUMP USED MUST BE RATED 10 AMPS MAX OR 3/4 HP MAX. PUMP DELAY ADJUSTABLE BETWEEN 3 & 10 MINUTES.

***FOR TWO STAGE OPERATION OR MULTIPLE BOILER SYSTEM, SEE INSTALLATION AND OPERATING INSTRUCTION MANUAL.

⬠-⬠ CONNECTIONS FOR OPTIONAL E-4 ALARM PANEL.

CHECK CONTROLS PROVIDED (WIRED AS SHOWN) REPLACE WIRING WITH 105°C WIRE ONLY

CHECKED BY:	
APPROVED BY:	
ORIG E.O.	1781
	02/17/84
CHG E.O.	5223
	4/23/14

WIRING DIAGRAM IID ECONO INDUCED DRAFT FIRING MODE - 2 STAGE

BOILER INPUTS: 512,000 THRU 627,000 BTUH

BOILER SIZE: 514/624 BOILER TYPE: H3/W3/WH3

151927 14