

**NOTES:** \* **USE GROUND CONNECTION PROVIDED. FAILURE TO PROVIDE PROPER GROUND MAY RESULT IN LOCK-OUT ALL GROUND  $\pm$  TERMINATE AT  $\text{\textcircled{SPG}}$ .**

\*\* PUMP USED MUST BE RATED 10 AMPS MAX OR 3/4 HP MAX. PUMP DELAY ADJUSTABLE BETWEEN 3 AND 10 MINUTES.

$\text{\textcircled{A}}$  -  $\text{\textcircled{E}}$  CONNECTIONS FOR OPTIONAL E-4 ALARM PANEL.

CHECK CONTROLS PROVIDED (WIRED AS SHOWN) REPLACE WIRING WITH 105°C WIRE ONLY

**WIRING DIAGRAM IID ECONOMASTER FIRING MODE - MECHANICAL MODULATION**

BOILER INPUTS: 512,000 THRU 627,000 BTUH

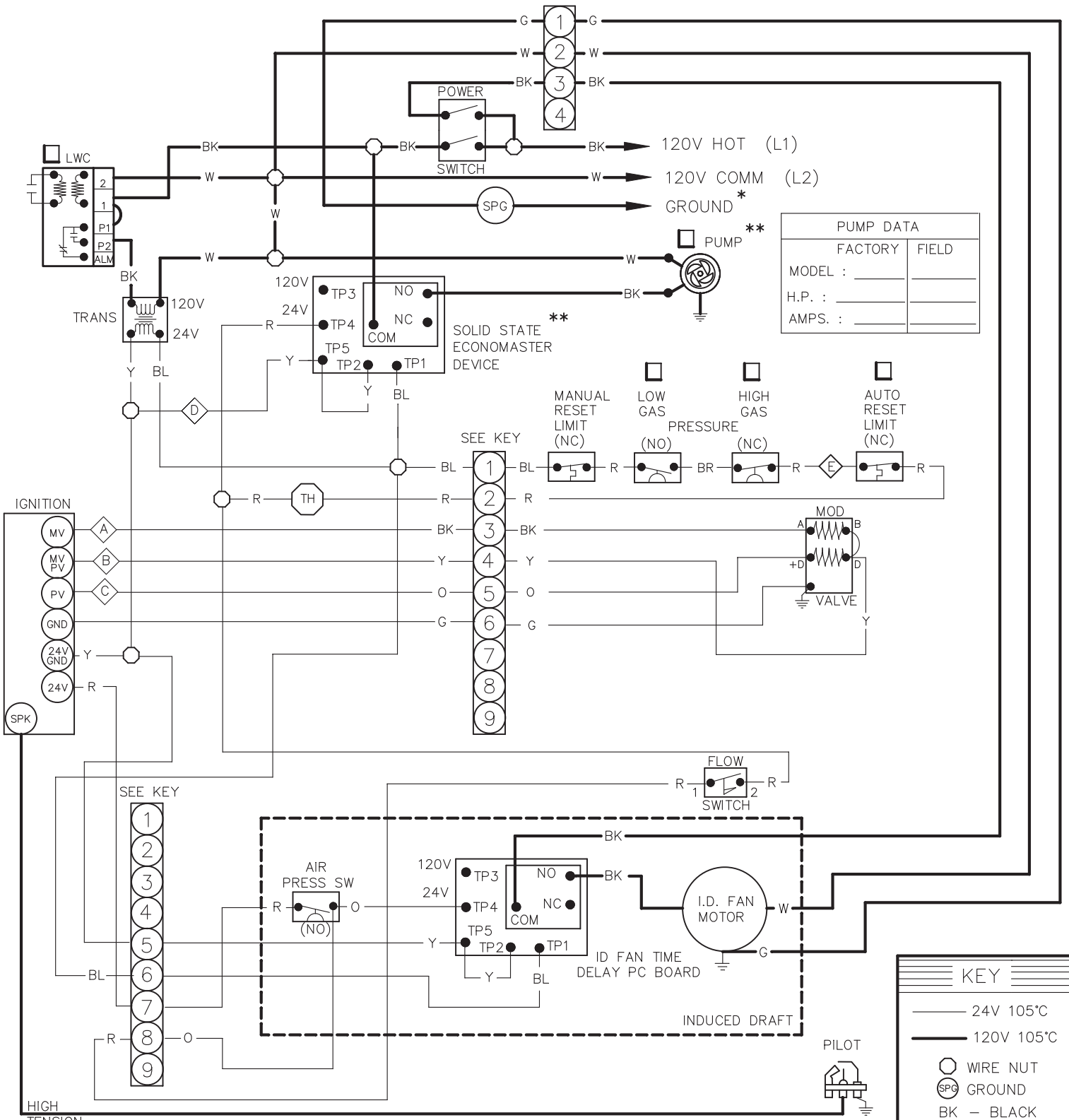
BOILER SIZE: **514/624**

BOILER TYPE: **H1, H5, W2**

| KEY           |            |
|---------------|------------|
|               | 24V 105°C  |
|               | 120V 105°C |
|               | WIRE NUT   |
|               | GROUND     |
| BK            | BLACK      |
| BR            | BROWN      |
| R             | RED        |
| O             | ORANGE     |
| Y             | YELLOW     |
| G             | GREEN      |
| BL            | BLUE       |
| V             | VIOLET     |
| W             | WHITE      |
| PLUG (ACTUAL) |            |
|               |            |
| FRONT VIEW    |            |

|                |
|----------------|
| CHECKED BY:    |
| APPROVED BY:   |
| ORIG E.O. 2567 |
| 04/18/90       |
| CHG E.O. 5223  |
| 8/6/14         |





| PUMP DATA |       |
|-----------|-------|
| FACTORY   | FIELD |
| MODEL :   | _____ |
| H.P. :    | _____ |
| AMPS. :   | _____ |

| KEY   |            |   |   |   |   |   |   |   |   |   |   |
|---|------------|---|---|---|---|---|---|---|---|---|---|
| —   | 24V 105°C  |   |   |   |   |   |   |   |   |   |   |
| —   | 120V 105°C |   |   |   |   |   |   |   |   |   |   |
| ○   | WIRE NUT   |   |   |   |   |   |   |   |   |   |   |
| ⊕   | GROUND     |   |   |   |   |   |   |   |   |   |   |
| BK  | BLACK      |   |   |   |   |   |   |   |   |   |   |
| BR  | BROWN      |   |   |   |   |   |   |   |   |   |   |
| R   | RED        |   |   |   |   |   |   |   |   |   |   |
| O   | ORANGE     |   |   |   |   |   |   |   |   |   |   |
| Y   | YELLOW     |   |   |   |   |   |   |   |   |   |   |
| G   | GREEN      |   |   |   |   |   |   |   |   |   |   |
| BL  | BLUE       |   |   |   |   |   |   |   |   |   |   |
| V   | VIOLET     |   |   |   |   |   |   |   |   |   |   |
| W   | WHITE      |   |   |   |   |   |   |   |   |   |   |
| PLUG (ACTUAL)   |            |   |   |   |   |   |   |   |   |   |   |
| <table border="1"> <tr> <td>3</td> <td>2</td> <td>1</td> </tr> <tr> <td>6</td> <td>5</td> <td>4</td> </tr> <tr> <td>9</td> <td>8</td> <td>7</td> </tr> </table> |            |   | 3 | 2 | 1 | 6 | 5 | 4 | 9 | 8 | 7 |
| 3   | 2          | 1 |   |   |   |   |   |   |   |   |   |
| 6   | 5          | 4 |   |   |   |   |   |   |   |   |   |
| 9   | 8          | 7 |   |   |   |   |   |   |   |   |   |
| FRONT VIEW  |            |   |   |   |   |   |   |   |   |   |   |

**NOTES: \*** USE GROUND CONNECTION PROVIDED. FAILURE TO PROVIDE PROPER GROUND MAY RESULT IN LOCK-OUT ALL GROUND ⊥ TERMINATE AT ⊕.

\*\* PUMP USED MUST BE RATED 10 AMPS MAX OR 3/4 HP MAX. PUMP DELAY ADJUSTABLE BETWEEN 3 AND 10 MINUTES.  
 ⬡ - ⬢ CONNECTIONS FOR OPTIONAL E-4 ALARM PANEL.  
 ✓ CHECK CONTROLS PROVIDED (WIRED AS SHOWN) REPLACE WIRING WITH 105°C WIRE ONLY

**WIRING DIAGRAM IID ECONO INDUCED DRAFT FIRING MODE - MECHANICAL MODULATION**

BOILER INPUTS: 512,000 THRU 627,000 BTUH

BOILER SIZE: **514/624**

BOILER TYPE: **H1, H5, W2**

152275 | 6

|                |
|----------------|
| CHECKED BY:    |
| APPROVED BY:   |
| ORIG E.O. 2567 |
| 04/18/90       |
| CHG E.O. 5223  |
| 8/6/14         |
| <b>Raupak</b>  |